

[54] SMOKER'S STATION

[75] Inventors: Jacob Wacker; Joanne Wacker, both of Highland Park, N.J.

[73] Assignee: J & J Wacker Inc., Highland Park, N.J.

[\*\*] Term: 14 Years

[21] Appl. No.: 894,907

[22] Filed: Apr. 10, 1978

[51] Int. Cl. .... D27-03; D27-05

[52] U.S. Cl. .... D27/16; D27/19; D27/38

[58] Field of Search ..... D27/8-29, D27/42, 34, 38; 131/231, 238, 239, 240, 241, 242

[56] References Cited

U.S. PATENT DOCUMENTS

D. 138,059	6/1944	Pohl .....	D27/23
D. 165,685	1/1952	Hunt .....	D27/46
D. 246,862	1/1978	Hallden .....	D27/42 X

Primary Examiner—Wallace R. Burke  
Assistant Examiner—Catherine Kemper  
Attorney, Agent, or Firm—Darby & Darby

[57] CLAIM

The ornamental design for a smoker's station, as shown and described.

DESCRIPTION

FIG. 1 is a front perspective view of a smoker's station, showing our new design; and FIG. 2 is a rear perspective view thereof. The bottom surface of the smoker's station is planar and unornamented.

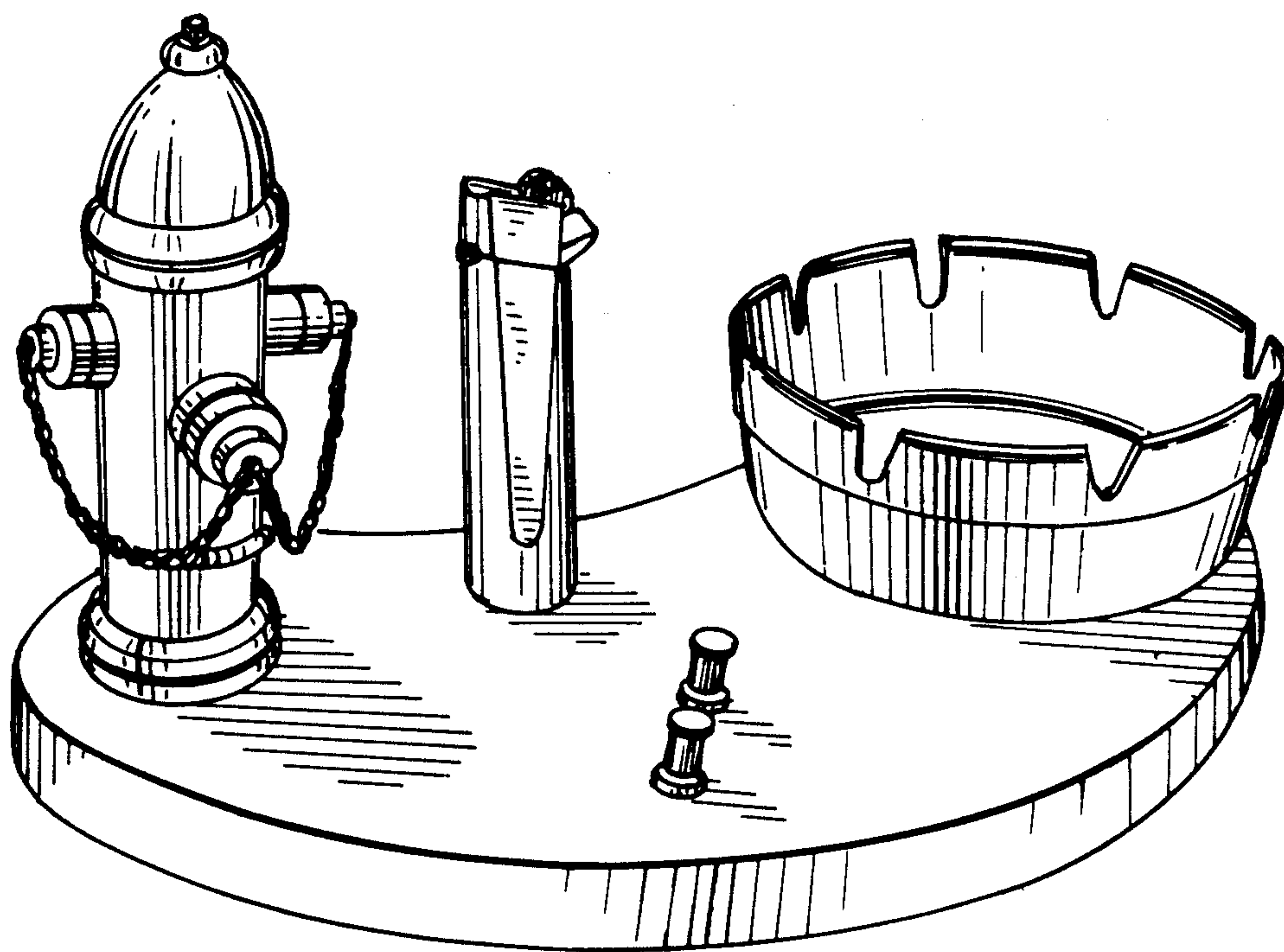


FIG. 1

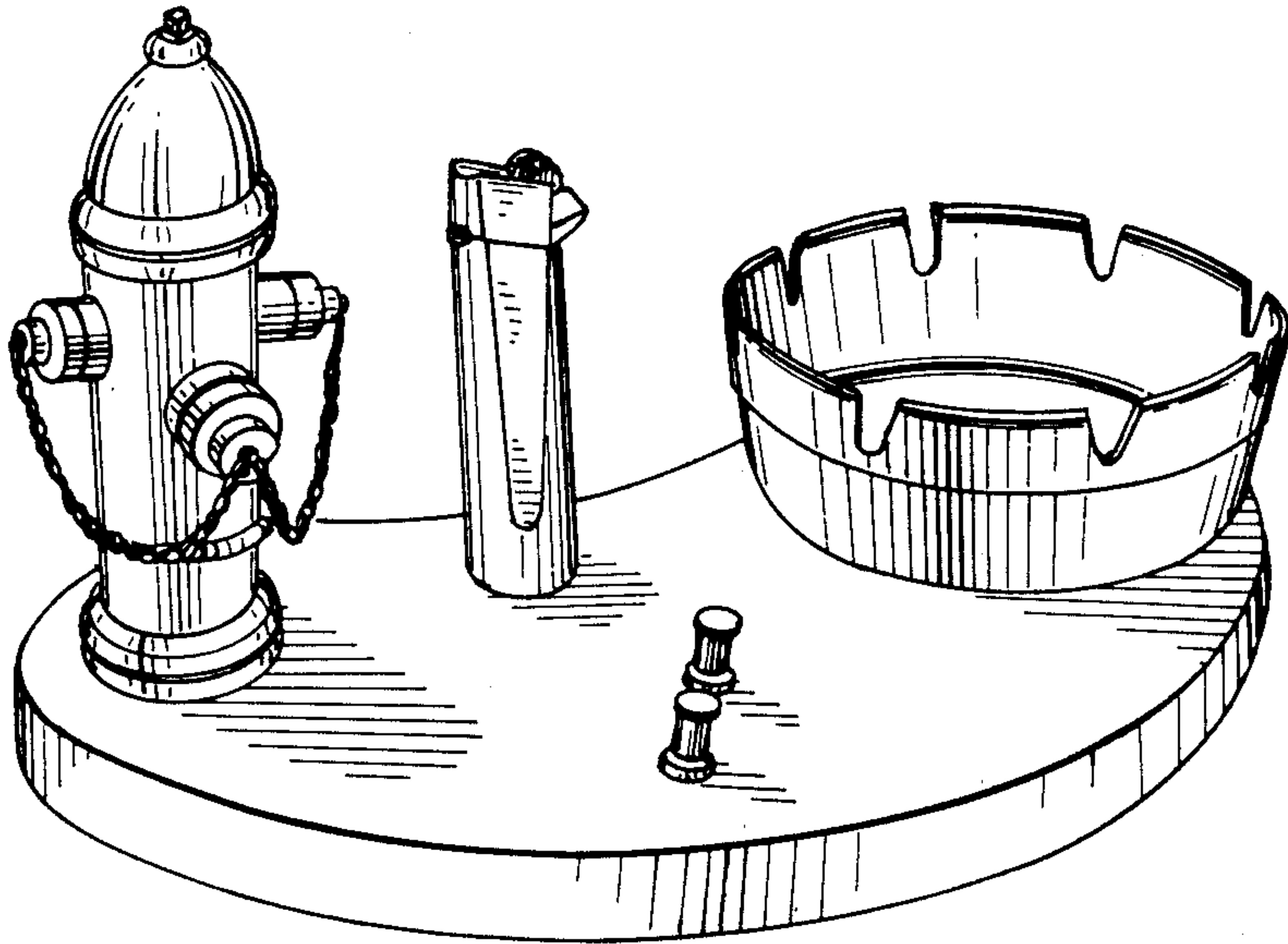


FIG. 2

