

[54] FILTER CASING

[75] Inventor: Dirk G. Kronsbein, Düsseldorf, Fed. Rep. of Germany

[73] Assignee: Ultrafilter GmbH, Düsseldorf, Fed. Rep. of Germany

[**] Term: 14 Years

[21] Appl. No.: 828,194

[22] Filed: Aug. 26, 1977

[30] Foreign Application Priority Data

Feb. 28, 1977 [DE] Fed. Rep. of Germany ... 7706092[U]

[51] Int. Cl. D23-01

[52] U.S. Cl. D23/4

[58] Field of Search D23/1-4; 210/444, 446, 448

[56]

References Cited

U.S. PATENT DOCUMENTS

D. 220,263	3/1971	Hughes	D23/4
D. 221,850	9/1971	Anderson	D23/4
3,122,501	2/1964	Hultgren	210/444 X
3,312,351	4/1967	Kasten	210/444 X
3,502,221	3/1970	Butterfield	210/444

OTHER PUBLICATIONS

Nylon Filter Corp. Brochure, p. 7, Item No. 141.

Primary Examiner—James R. Largen
Attorney, Agent, or Firm—David Toren

[57]

CLAIM

The ornamental design for a filter casing, as shown.

DESCRIPTION

FIG. 1 is a bottom and front perspective view of my design for a filter casing showing my new design; FIG. 2 is a top plan view; FIG. 3 is a rear elevational view; FIG. 4 is a right side elevation view thereof; and FIG. 5 is a bottom plan view.

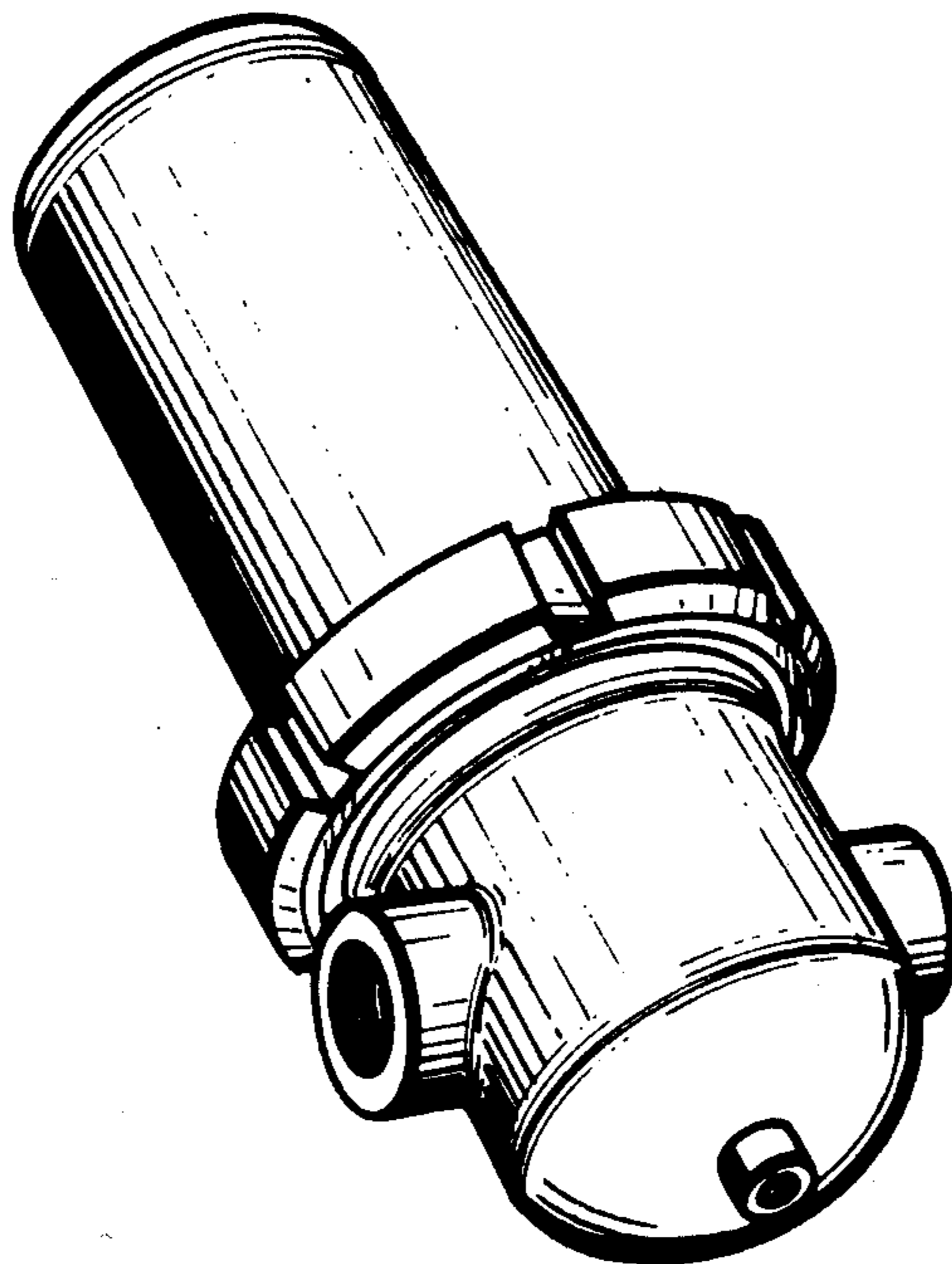


FIG.1

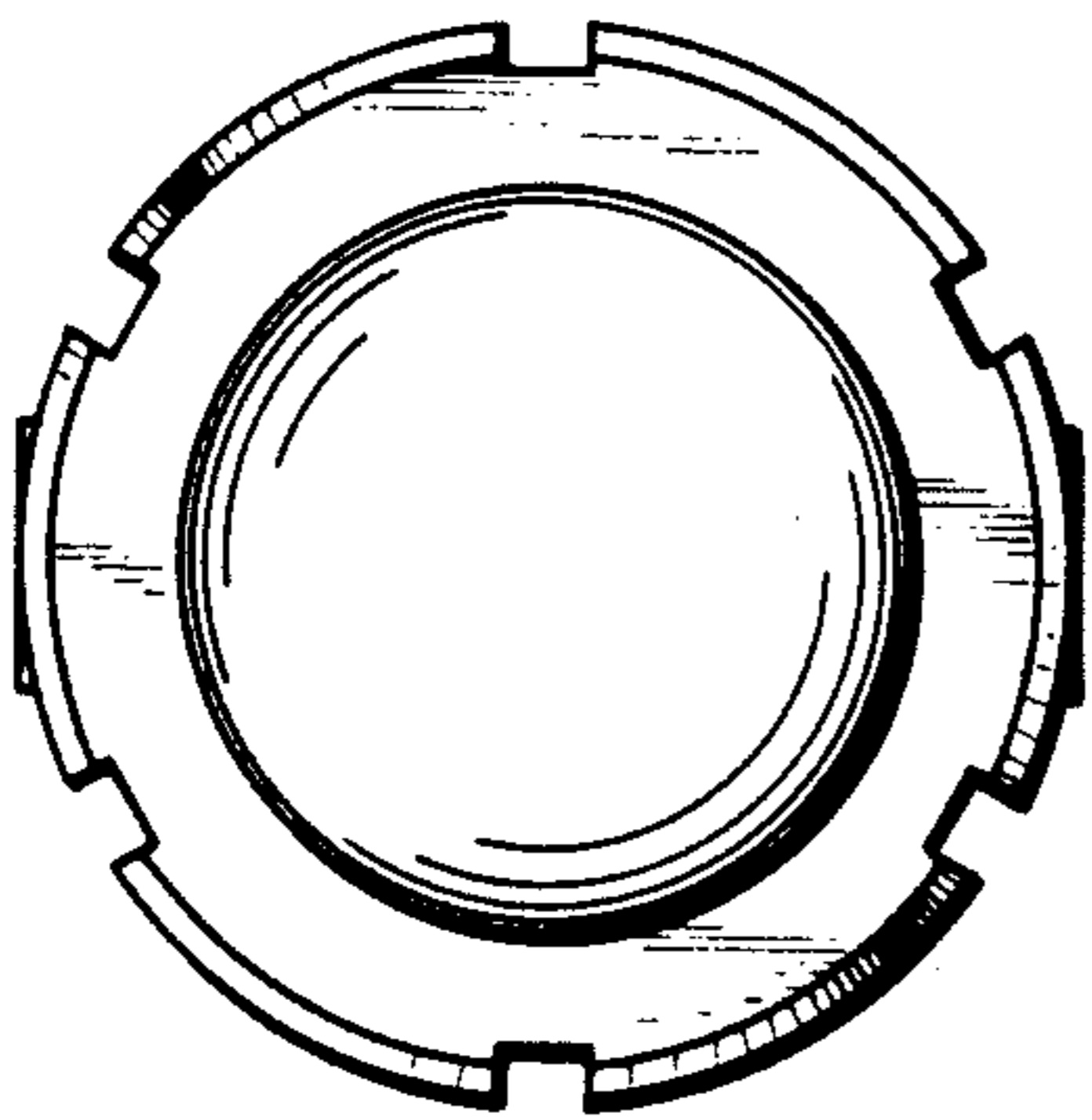
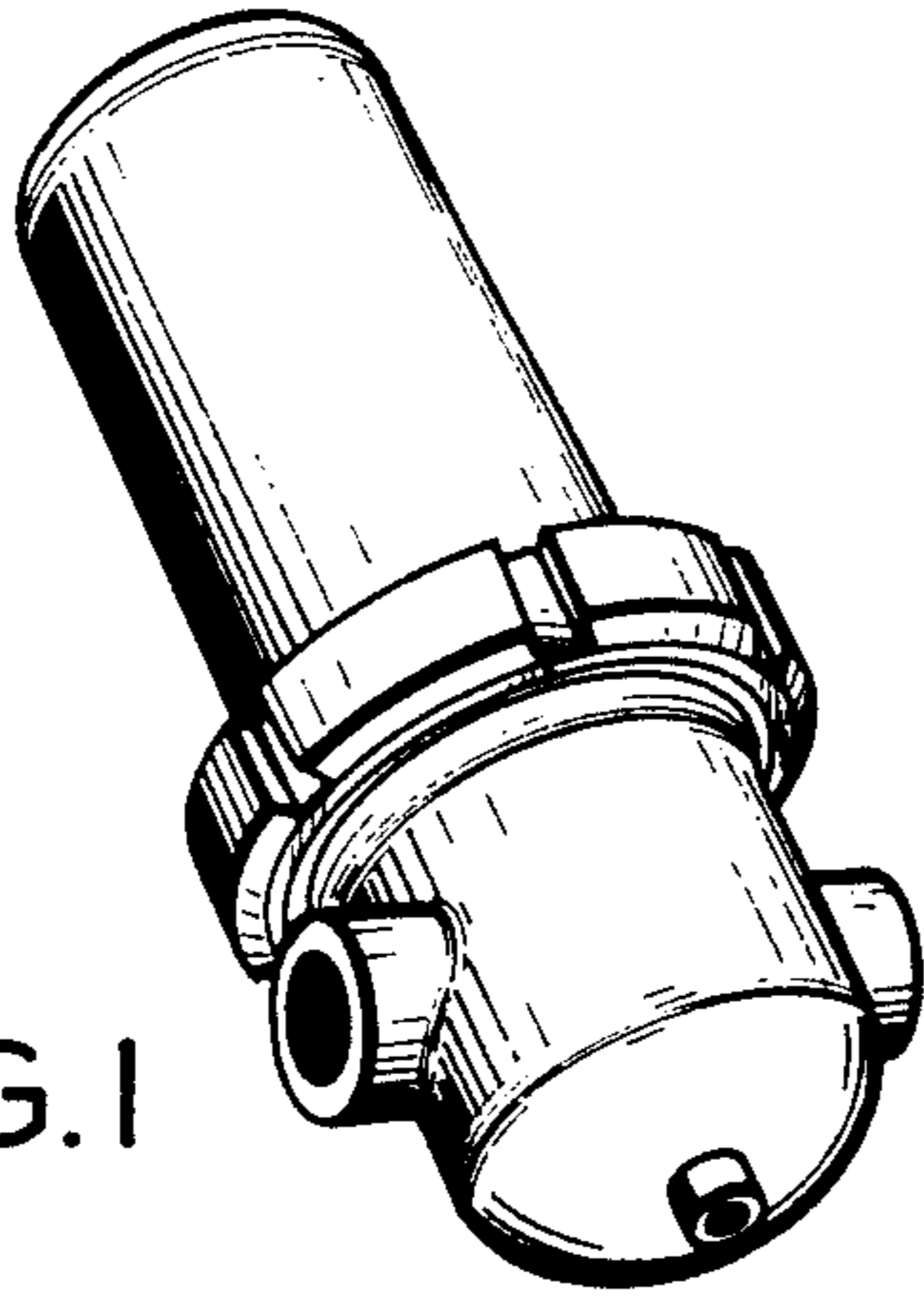


FIG.2

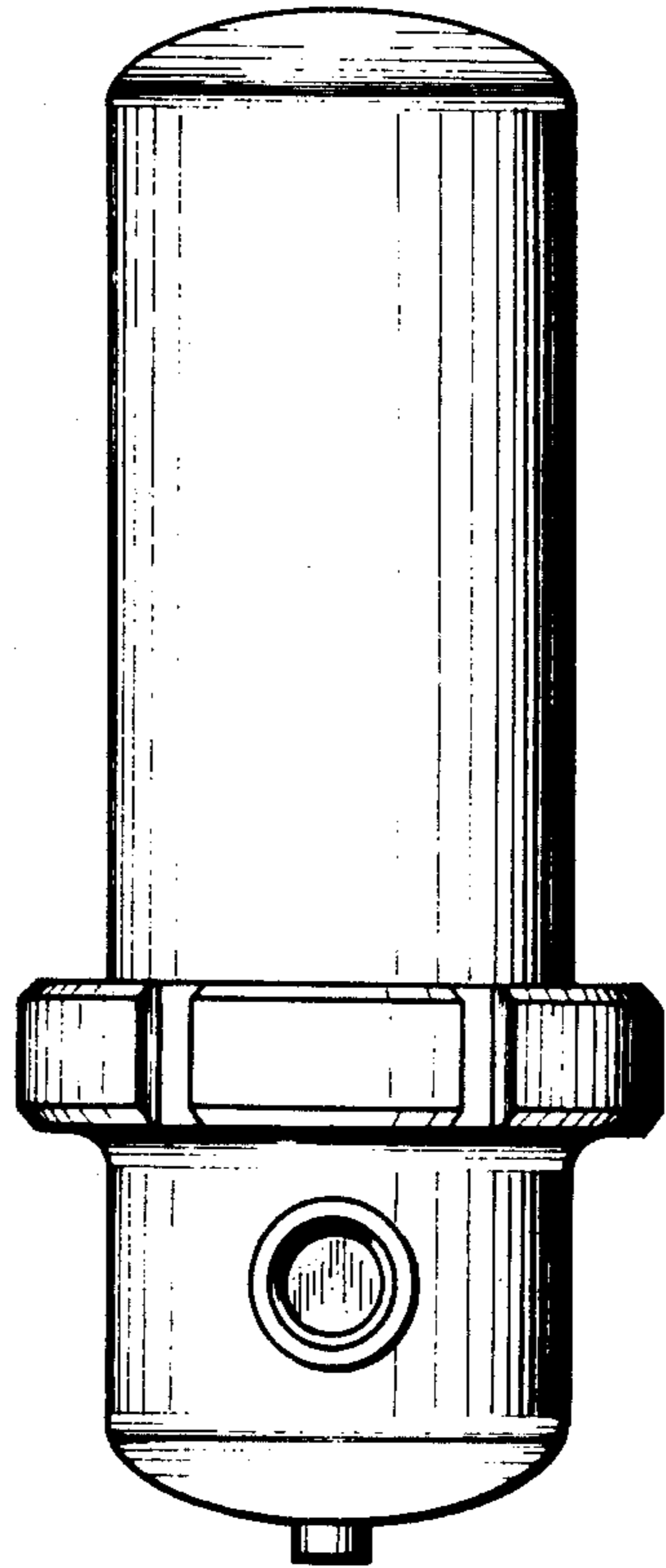


FIG.4

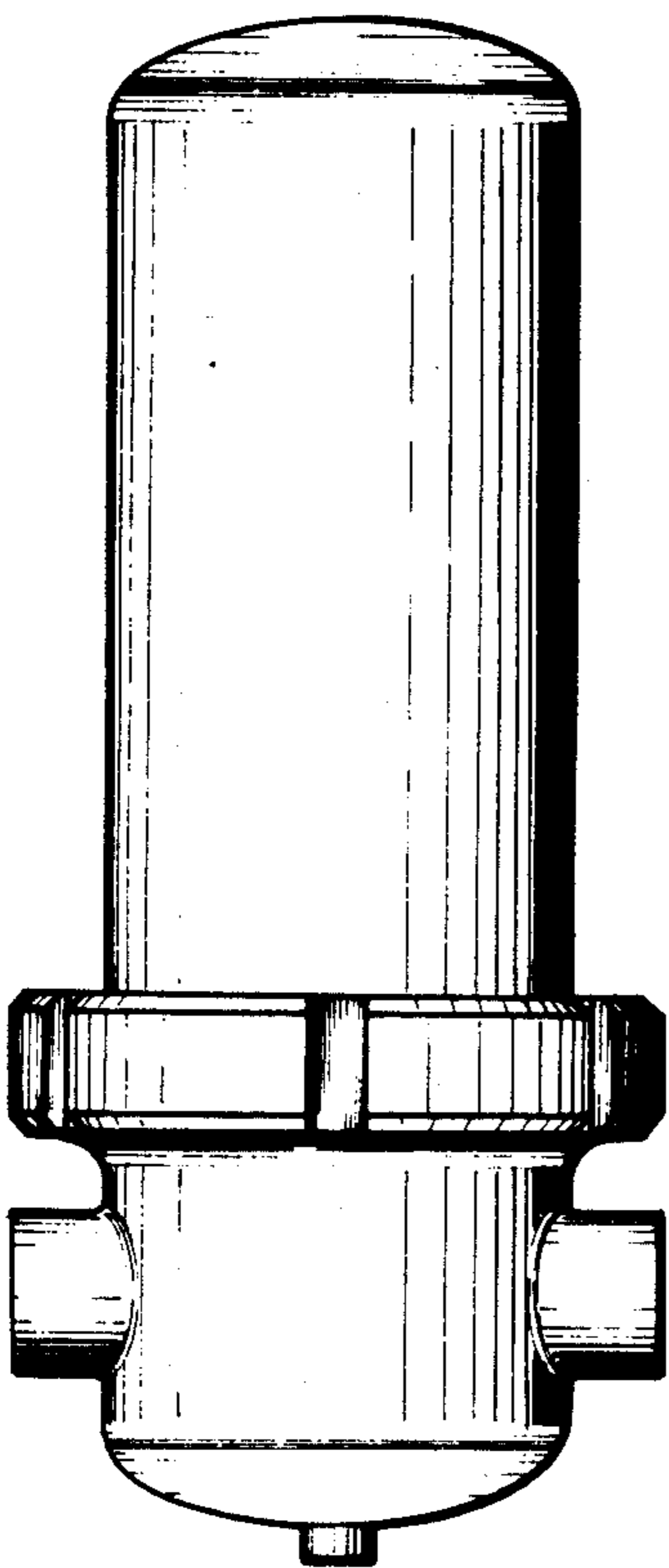


FIG.3

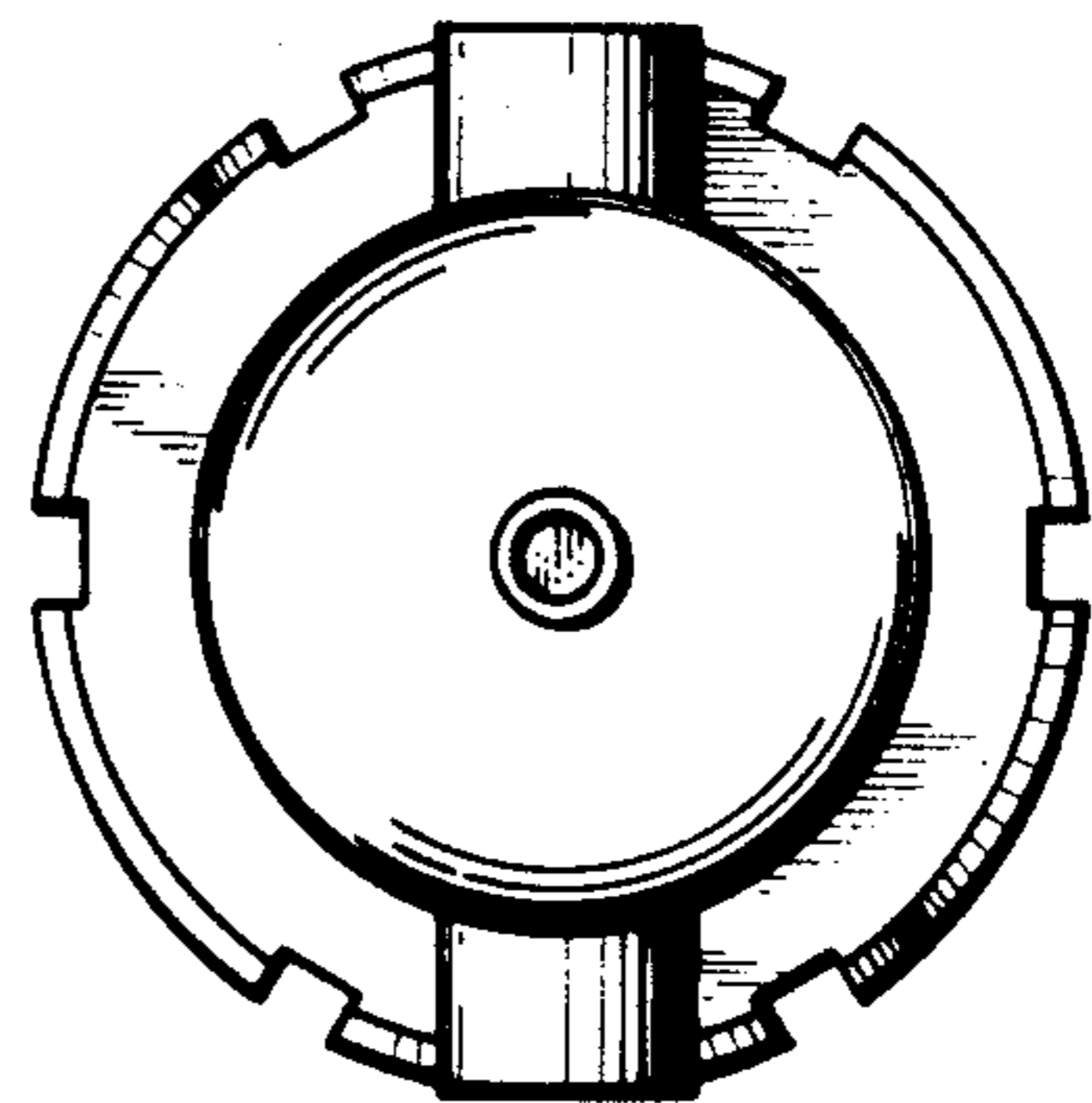


FIG.5