

[54] FISHING REEL

[75] Inventor: Kanji Iinuma, Koganei, Japan

[73] Assignee: Daiwa Seiko, Inc., Higashikurume, Japan

[**] Term: 14 Years

[21] Appl. No.: 870,776

[22] Filed: Jan. 19, 1978

[30] Foreign Application Priority Data

Sep. 13, 1977 [JP] Japan 52-38195

[51] Int. Cl. D22-05

[52] U.S. Cl. D22/25

[58] Field of Search D22/25, 26; 242/84.1 R, 242/84.1 S, 84.2 R, 84.2 H, 84.21 A, 84.21 R

[56]

References Cited

U.S. PATENT DOCUMENTS

D. 208,910	10/1967	Mimeur	D22/25
D. 223,355	4/1972	Kuroki	D22/25
D. 230,591	3/1974	Underwood	D22/25

Primary Examiner—A. Hugo Word
Attorney, Agent, or Firm—Sughrue, Rothwell, Mion, Zinn and Macpeak

[57]

CLAIM

The ornamental design for a fishing reel, as shown.

DESCRIPTION

FIG. 1 is a front view of a fishing reel showing my new design;

FIG. 2 is a right side view thereof;

FIG. 3 is a left side view thereof;

FIG. 4 is a rear view thereof;

FIG. 5 is a top plan view thereof; and

FIG. 6 is a bottom plan view thereof.

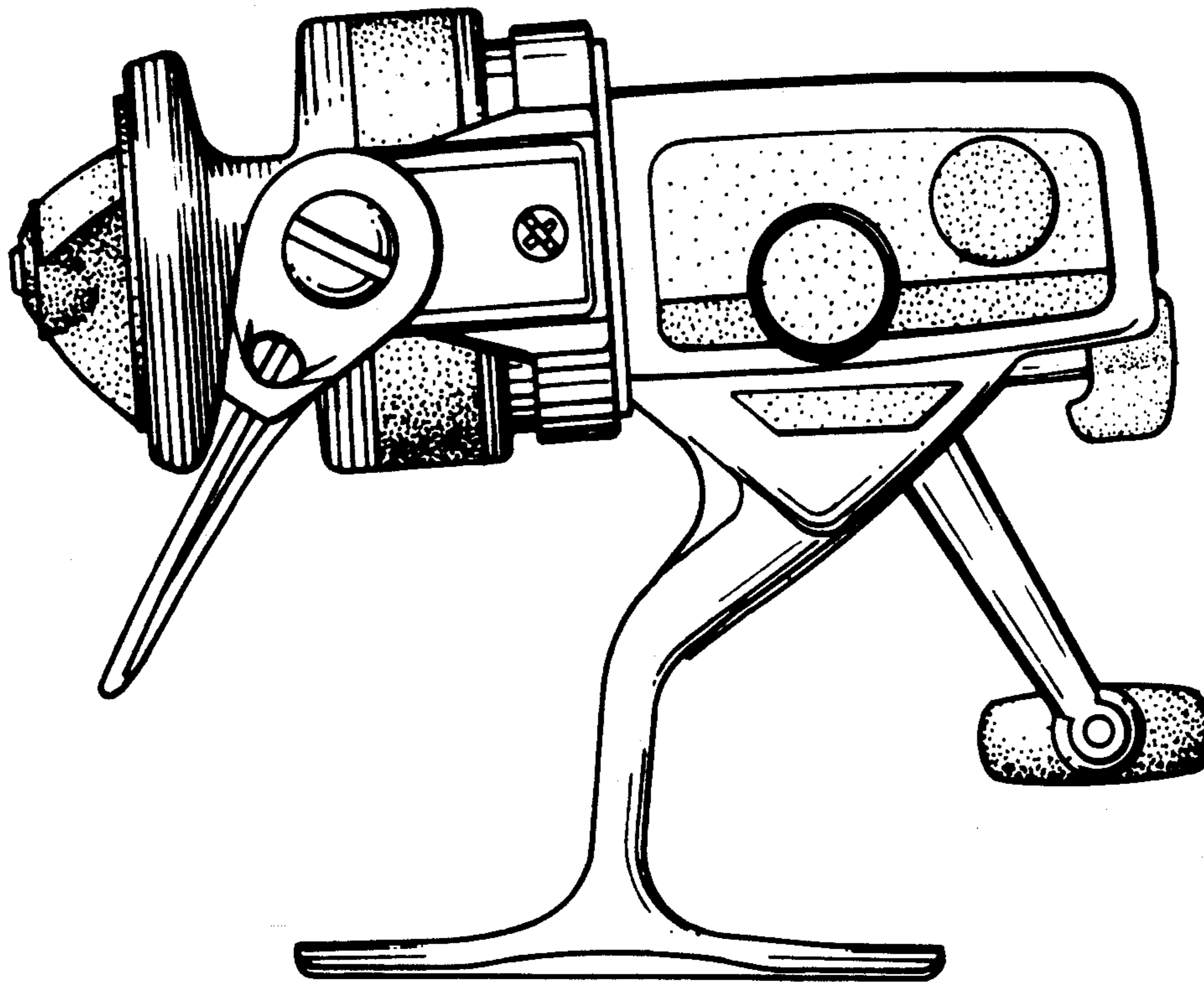


FIG. 2

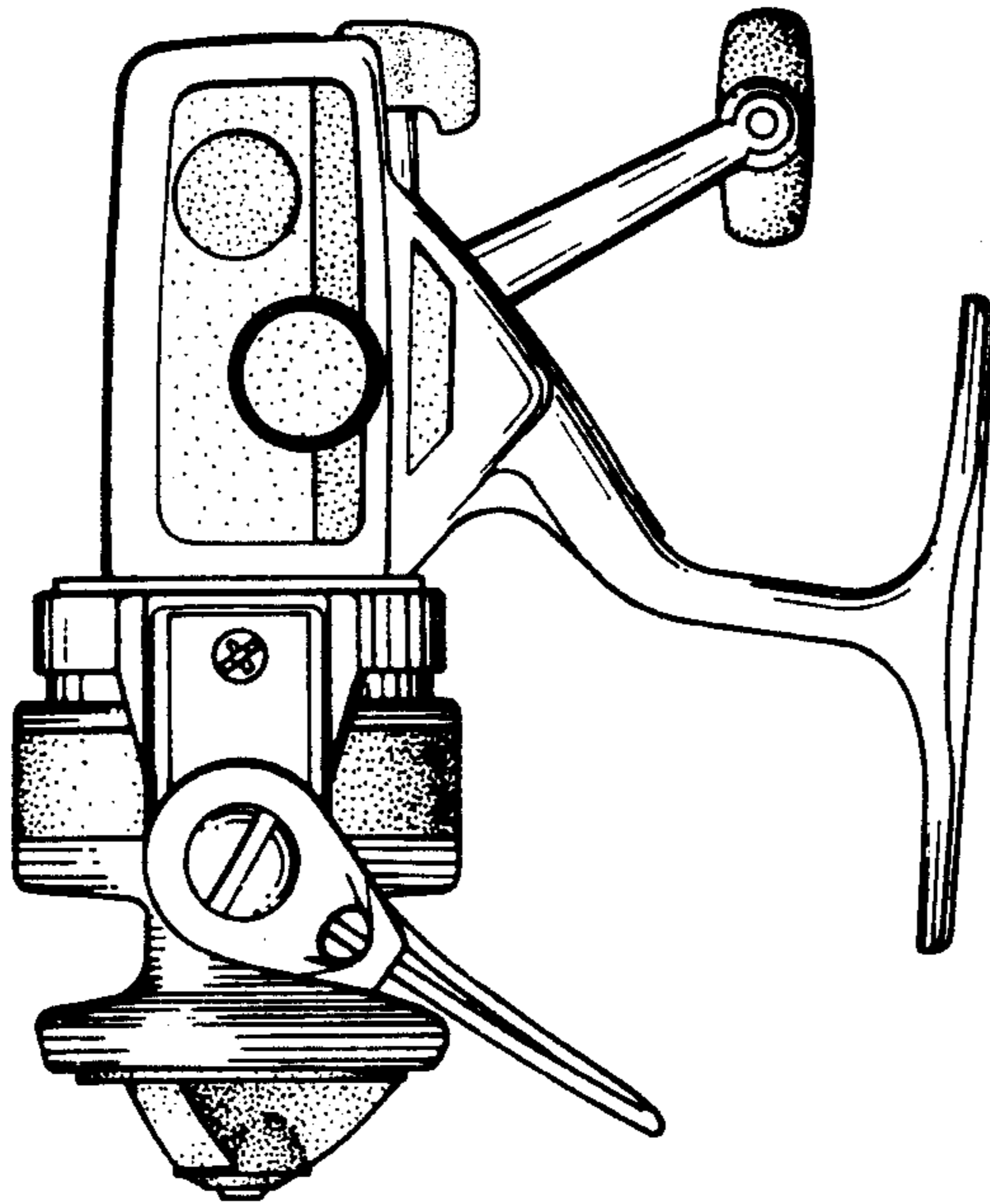


FIG. 1

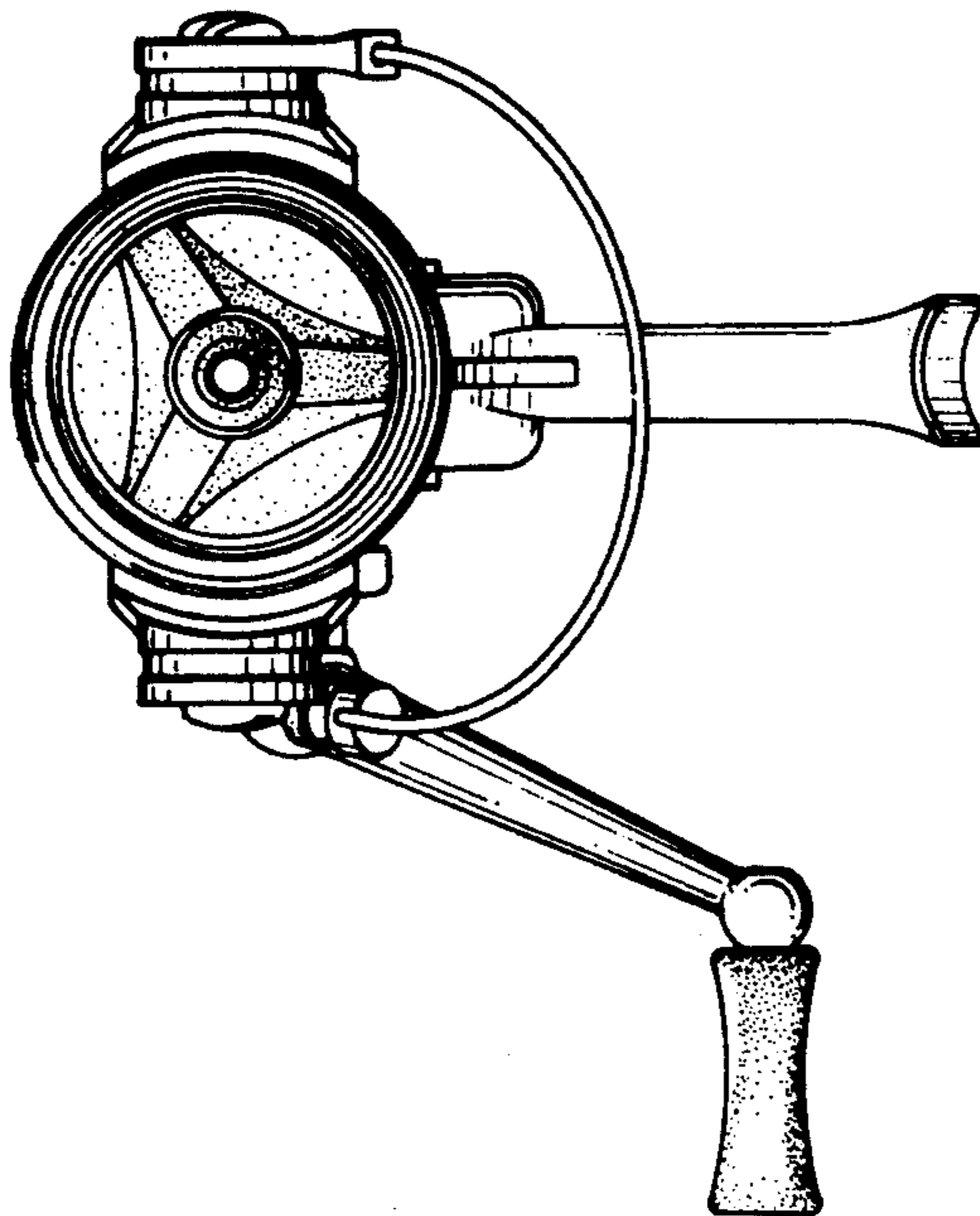


FIG. 4

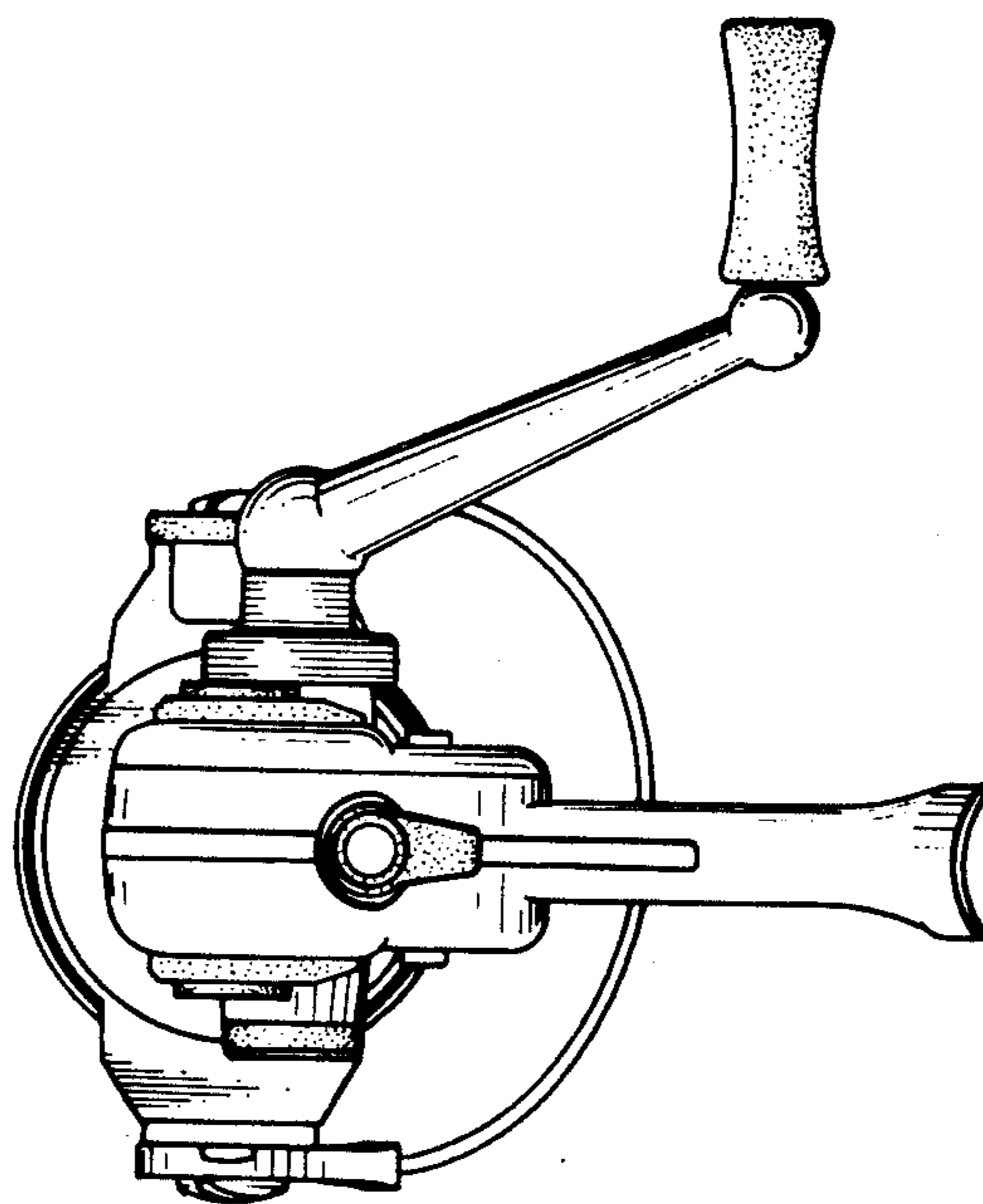


FIG. 3

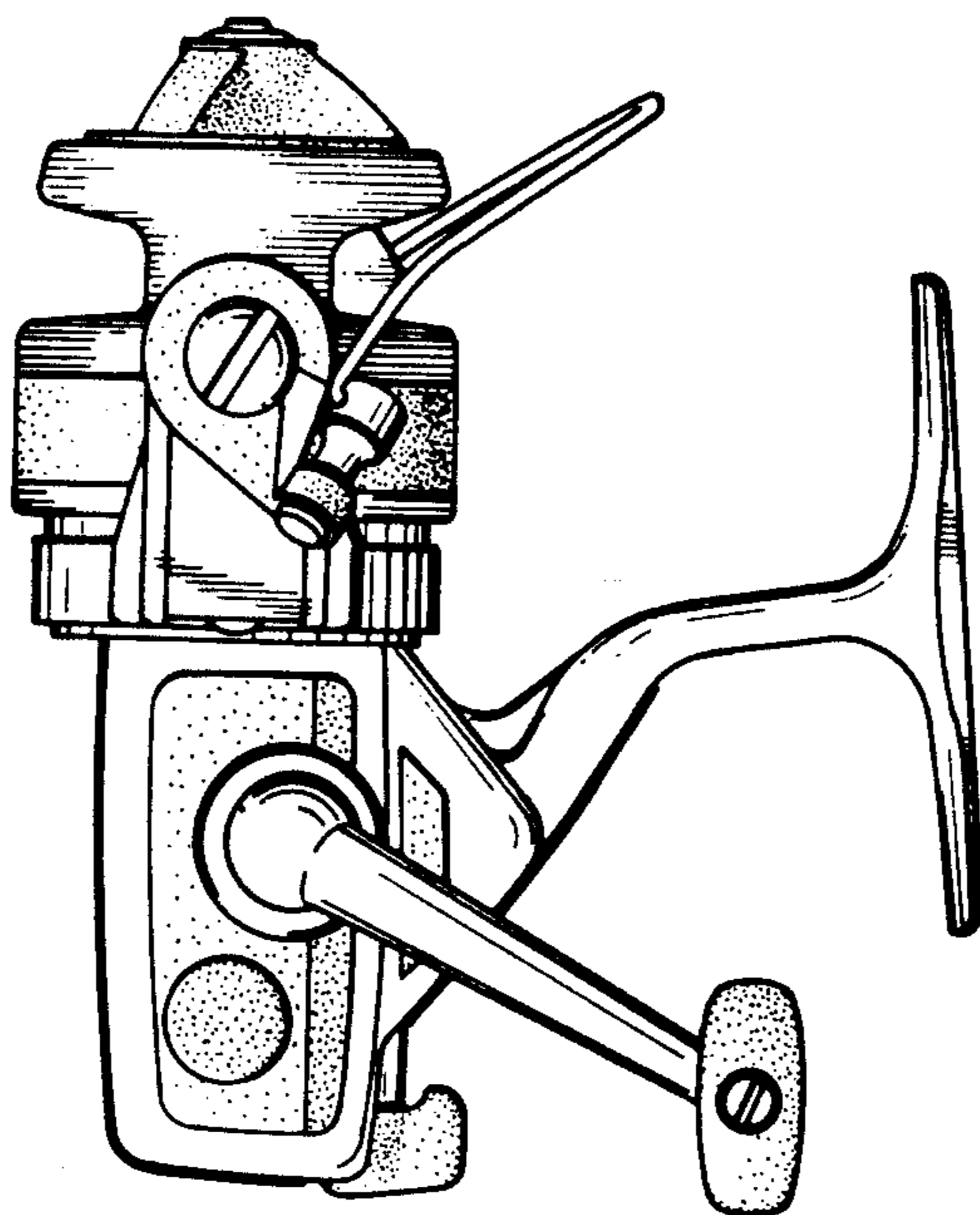


FIG. 6

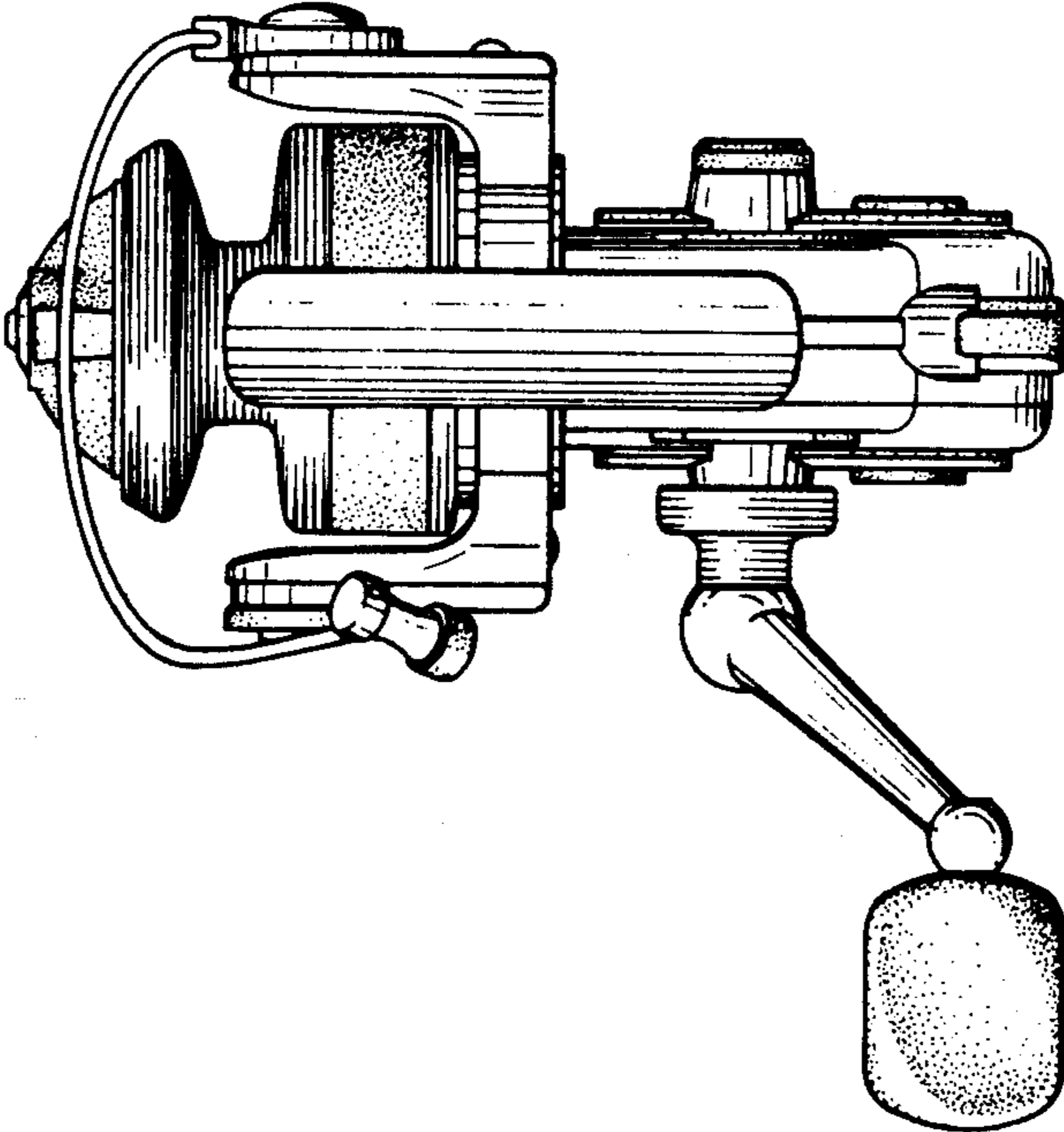


FIG. 5

