

[54] HOUSING FOR USE WITH MANIPULATIVE GAMES

[75] Inventor: Hitoshi Itakura, Tateishi, Japan

[73] Assignee: Tomy Kogyo Co., Inc., Tokyo, Japan

[\*\*] Term: 14 Years

[21] Appl. No.: 873,966

[22] Filed: Jan. 31, 1978

[51] Int. Cl. .... D21-01

[52] U.S. Cl. .... D21/15; D9/235; D27/47

[58] Field of Search ..... D21/15; 273/285, 282; D9/231-236; D28/83; D19/76; D27/47; 220/335, 334; 229/44 M

[56] References Cited

U.S. PATENT DOCUMENTS

2,052,432 8/1936 Warner ..... D9/235  
2,084,912 6/1937 Klep ..... 273/282

Primary Examiner—Melvin B. Feifer  
Attorney, Agent, or Firm—Edward D. O'Brian

[57] CLAIM

The ornamental design for a housing for use with manipulative games, substantially as shown and described.

DESCRIPTION

FIG. 1 is a top plan view of a housing for use with a manipulative game embodying my new design; FIG. 2 is a side elevational view of the right side thereof; FIG. 3 is a front elevational view thereof; FIG. 4 is a rear elevational view thereof; FIG. 5 is a bottom plan view thereof; and FIG. 6 is a perspective view of the housing in an open position.

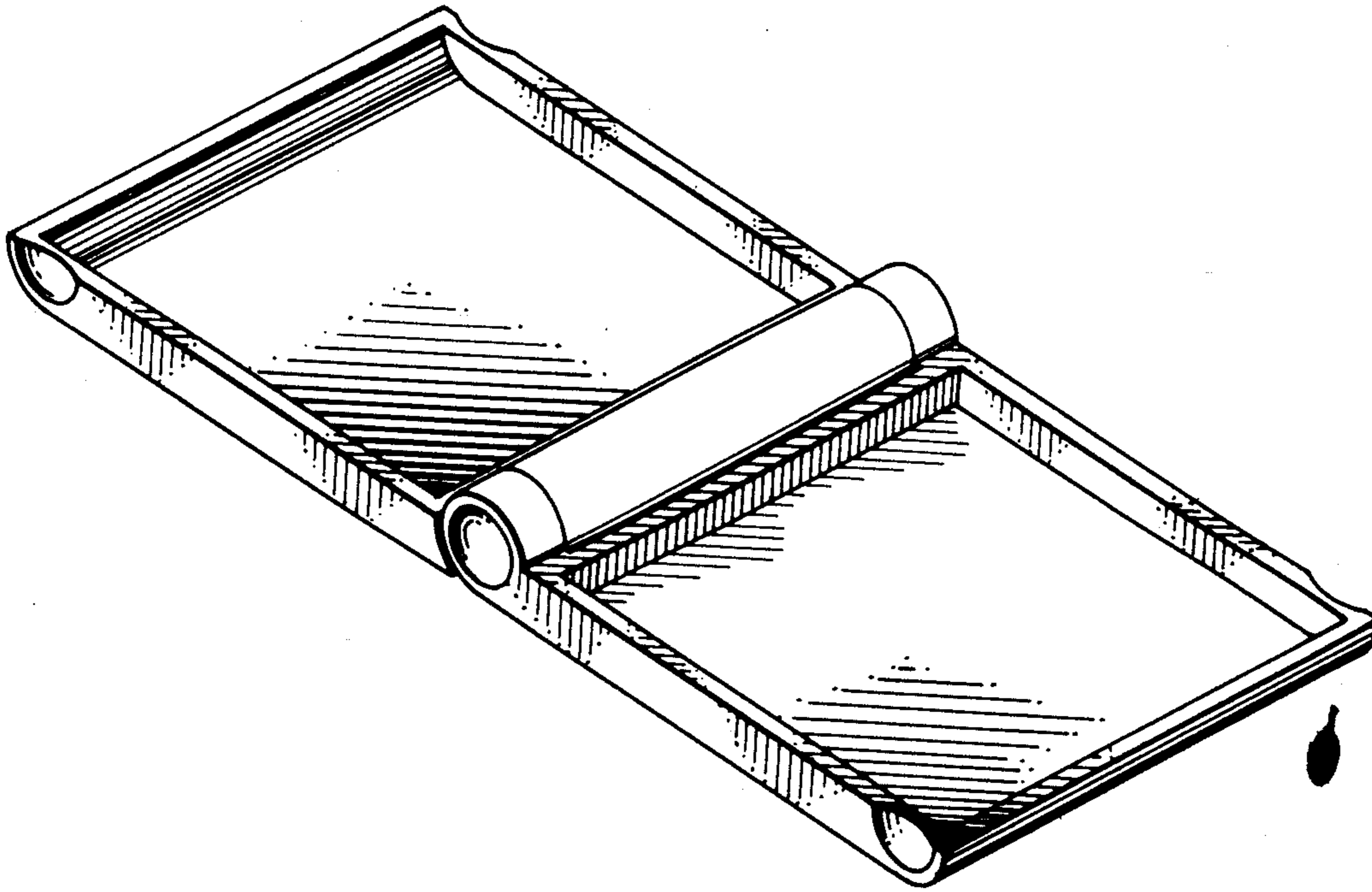


FIG. 1.

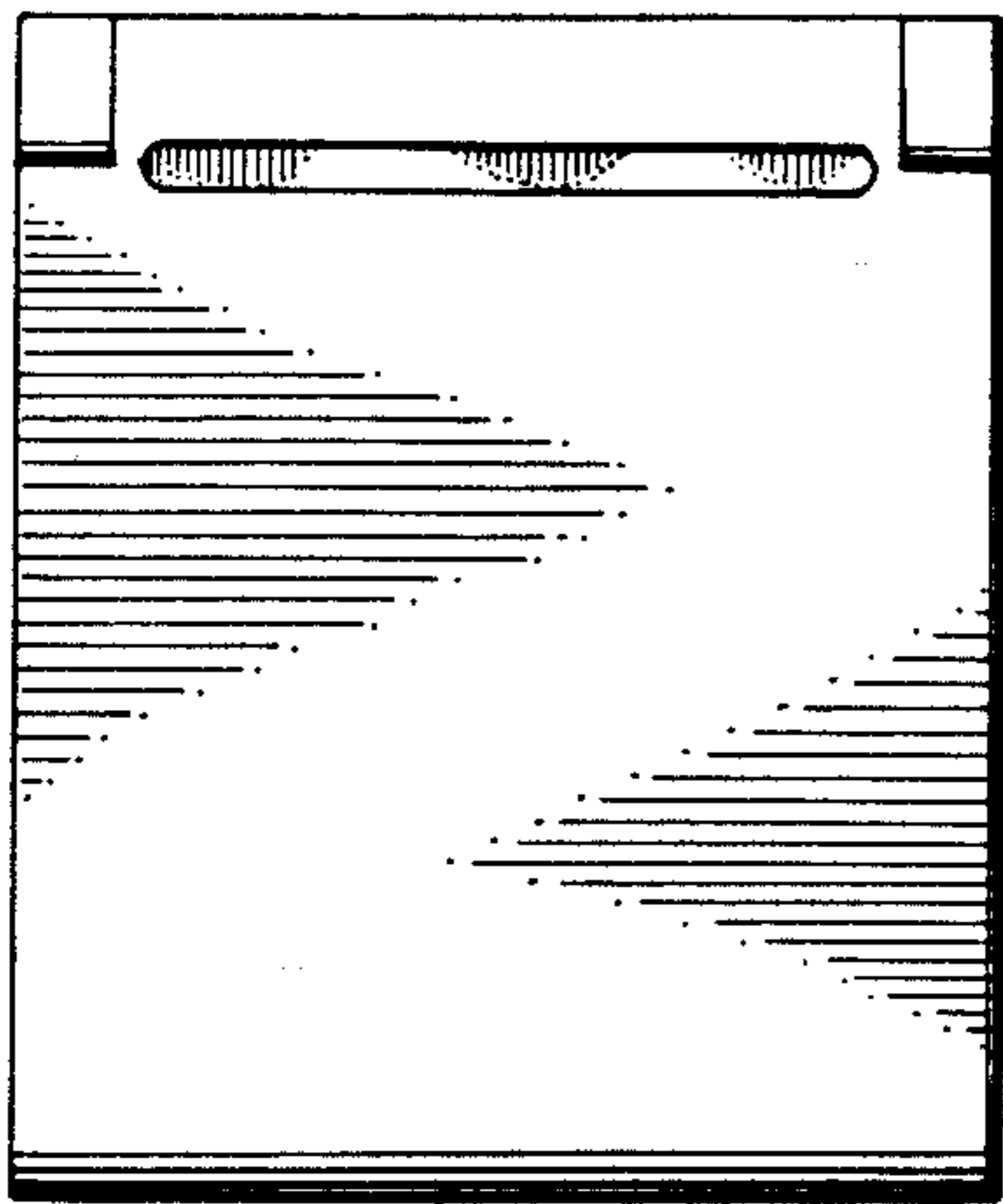


FIG. 2.

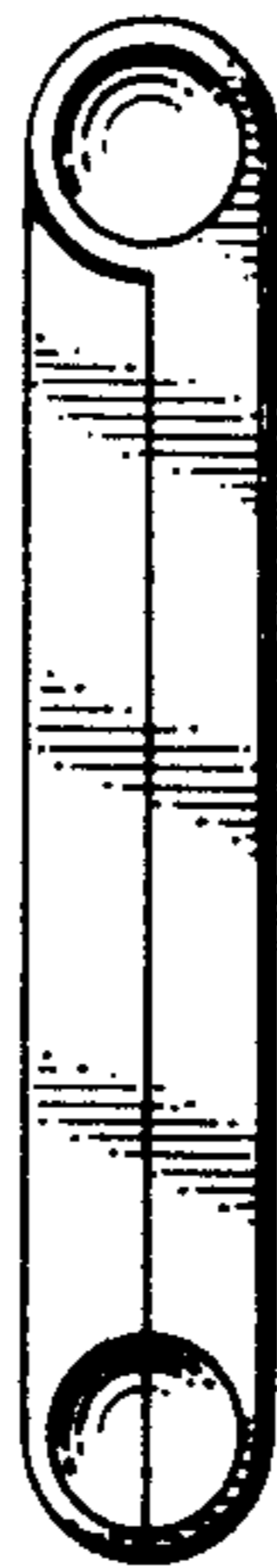


FIG. 3.

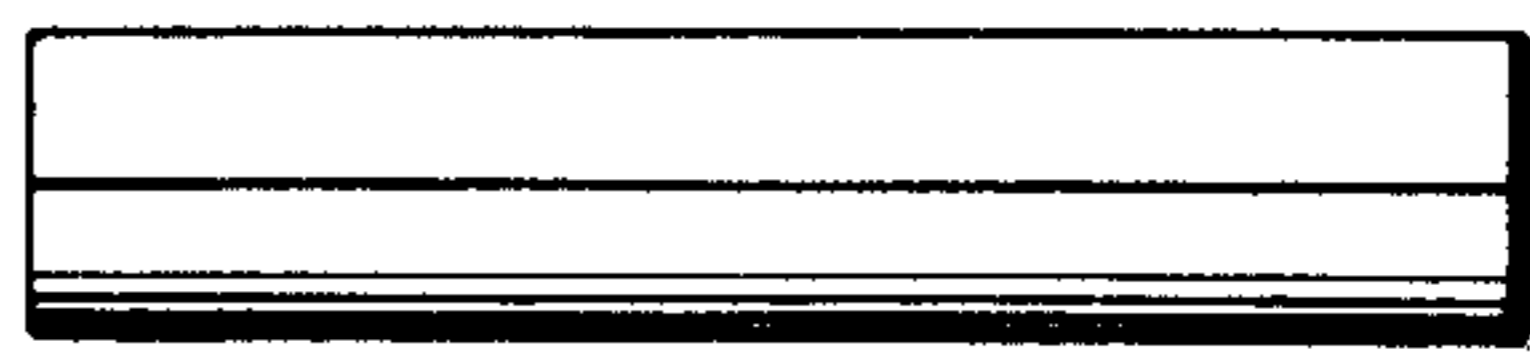


FIG. 4.



FIG. 5.

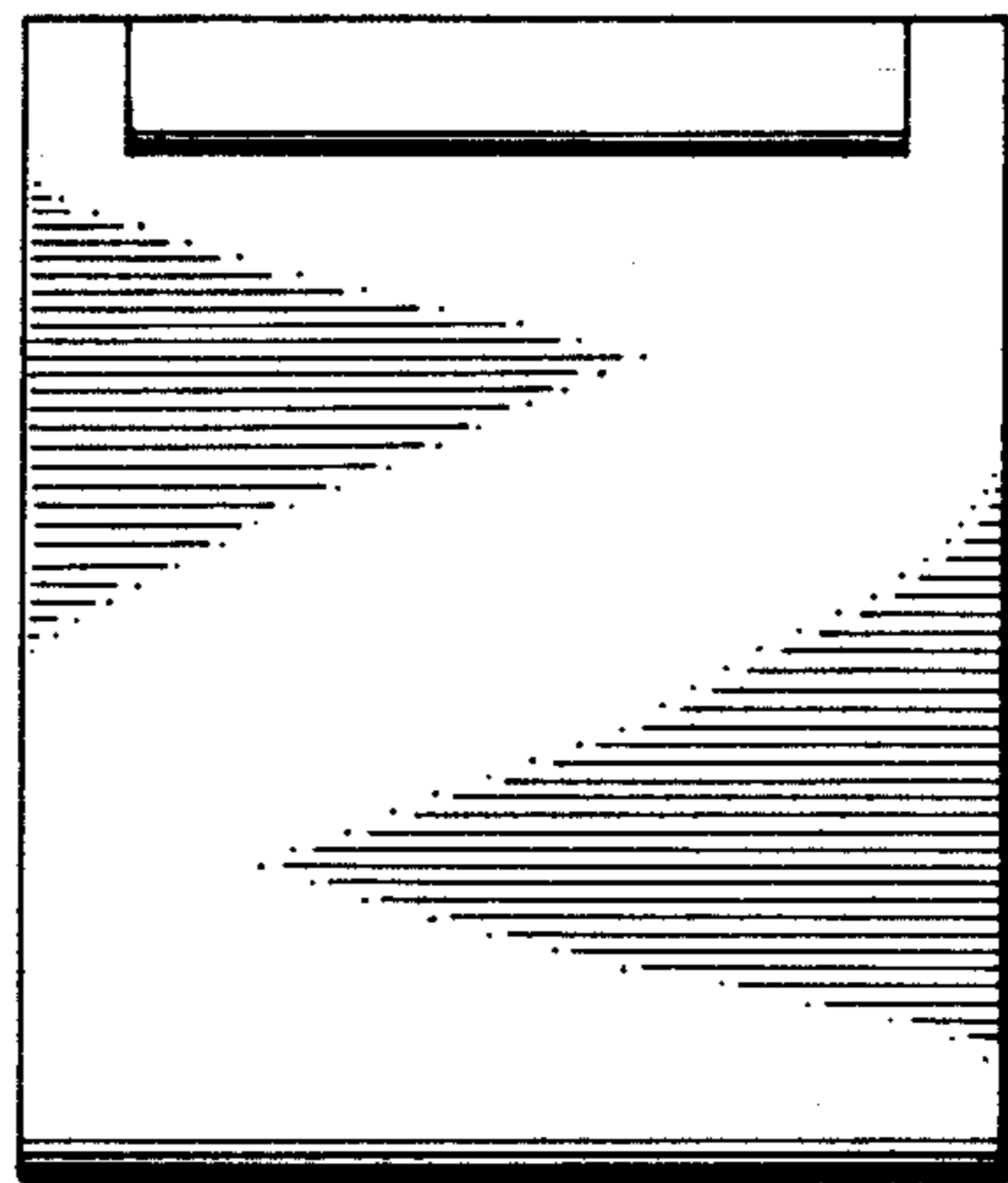


FIG. 6.

