

[54] NOTE PAD HOLDER

[75] Inventor: Jerome A. Grunstad, West St. Paul, Minn.

[73] Assignee: Ketcham & McDougall, Inc., Roseland, N.J.

[**] Term: 14 Years

[21] Appl. No.: 893,113

[22] Filed: Apr. 3, 1978

[51] Int. Cl. D19-02

[52] U.S. Cl. D19/92

[58] Field of Search D19/22, 75, 79, 92; D7/72

[56] References Cited

U.S. PATENT DOCUMENTS

D. 45,817	5/1914	Peltier	D19/92
D. 160,906	11/1950	Ungar	D19/92
D. 168,712	1/1953	Rittenhouse	D19/92
D. 193,819	10/1962	Whitson	D19/92
D. 246,847	1/1978	Landau et al.	D19/92

Primary Examiner—Louis S. Zarfes
Assistant Examiner—George P. Word
Attorney, Agent, or Firm—Edwin E. Greigg

[57] CLAIM

The ornamental design for a note pad holder, as shown.

DESCRIPTION

FIG. 1 is a perspective view of a note pad holder showing my new design;
FIG. 2 is a top plan view thereof;
FIG. 3 is a front elevational view thereof;
FIG. 4 is a rear elevational view thereof; and
FIG. 5 is a side elevational view thereof.

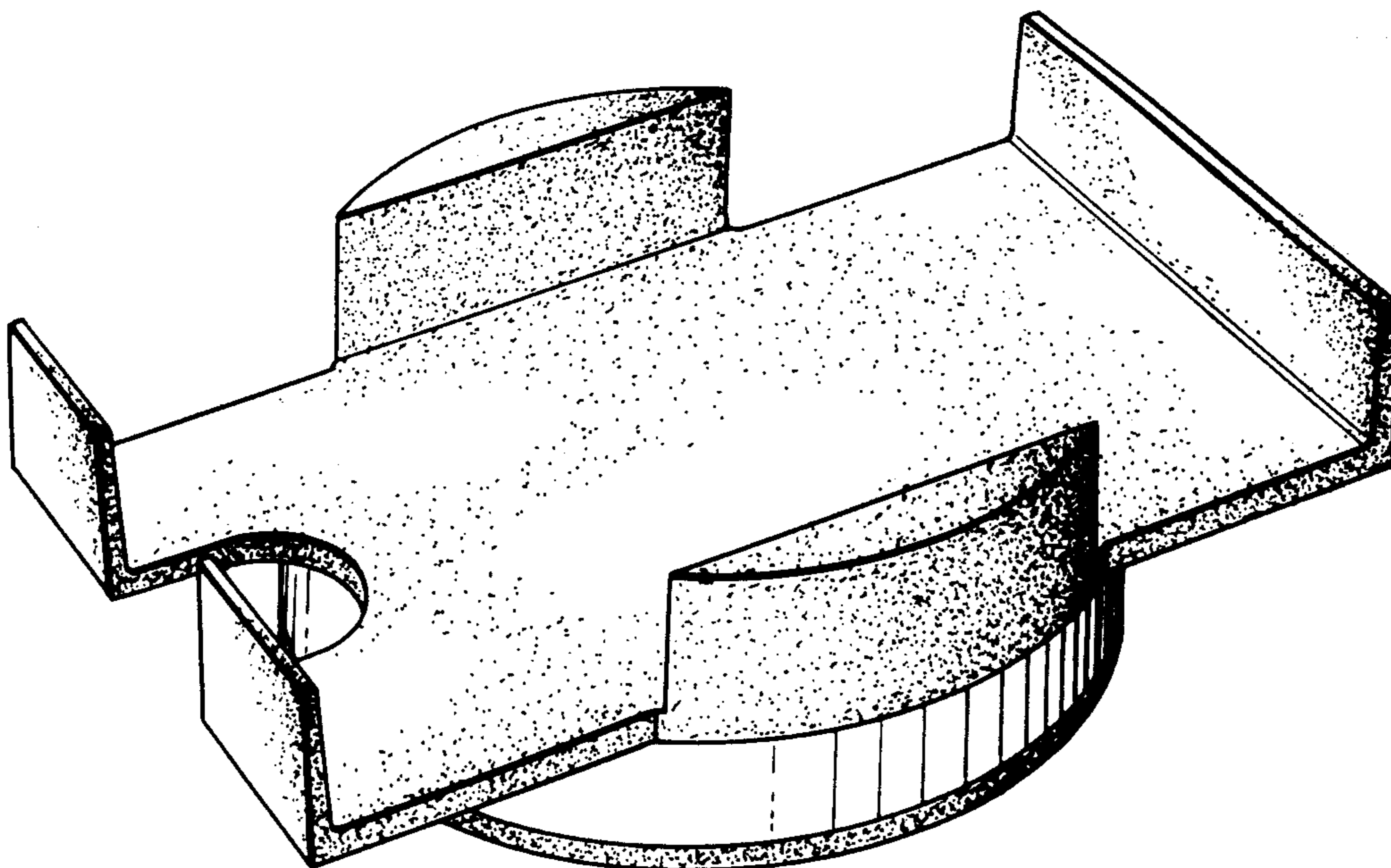


FIG. 1

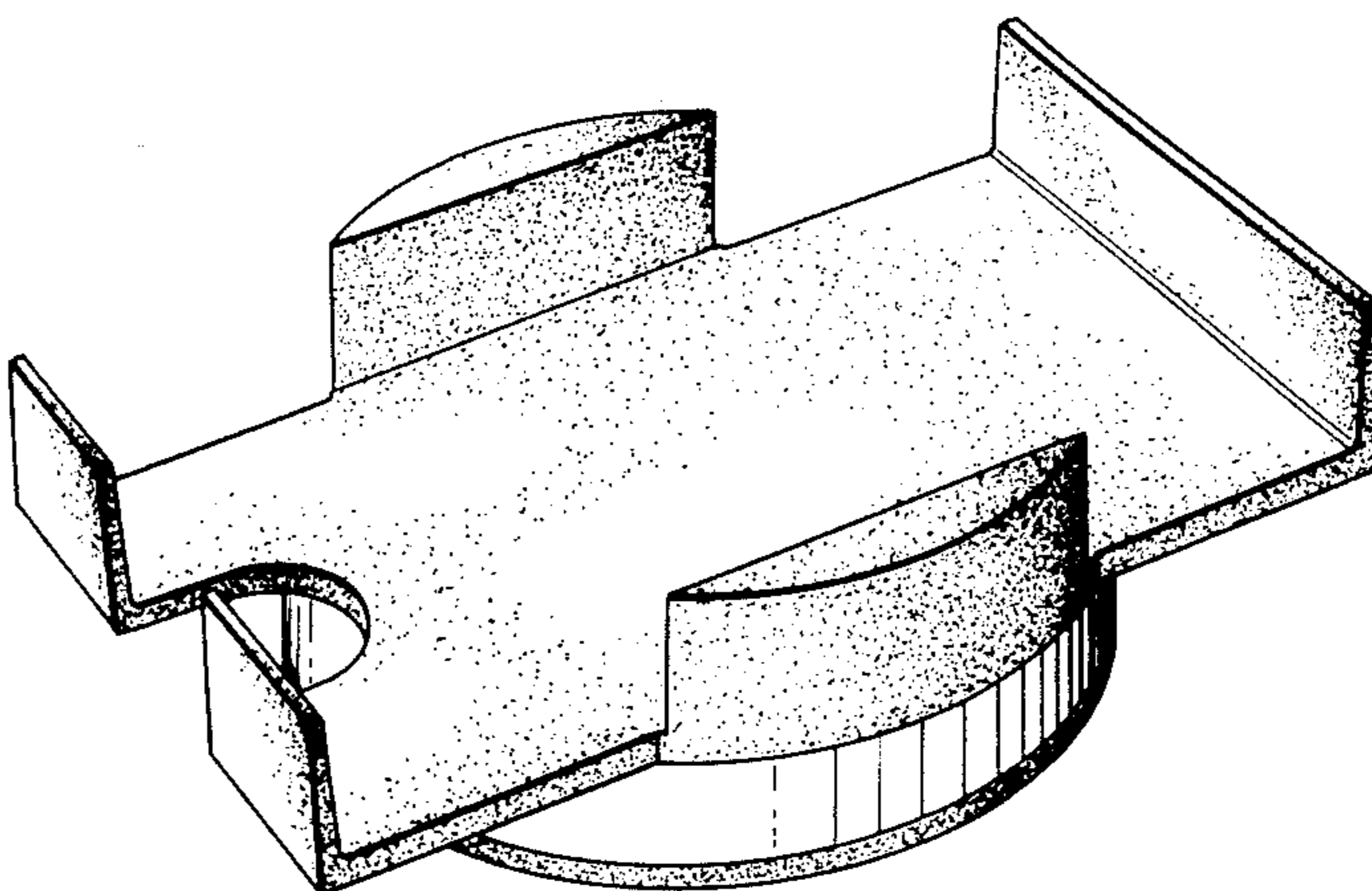


FIG. 2

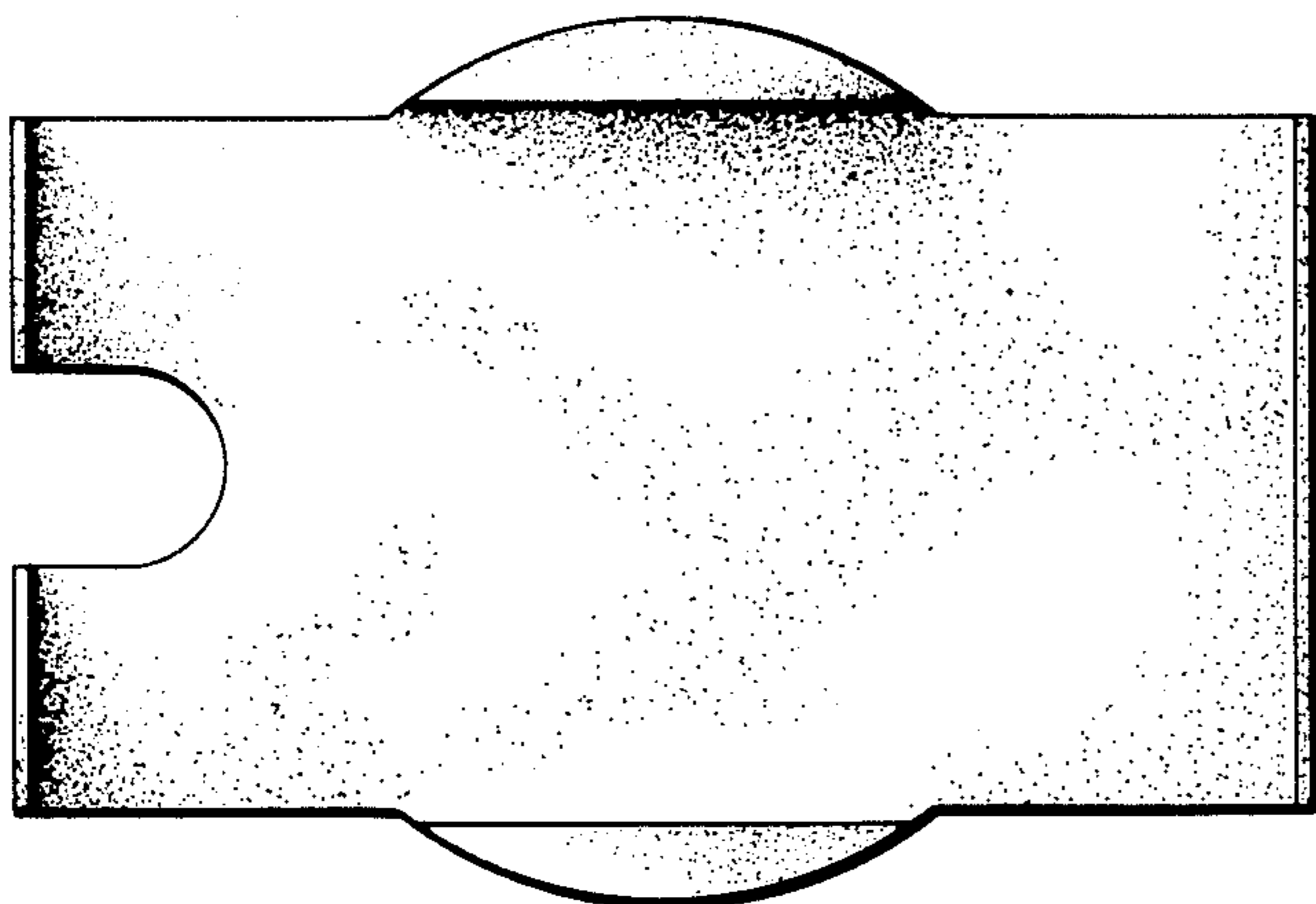


FIG. 3



FIG. 4



FIG. 5

