

[54] DRUM

[76] Inventor: Roger W. North, 1332 SE. 16th, Portland, Oreg. 97214

[\*\*] Term: 14 Years

[21] Appl. No.: 832,581

[22] Filed: Sep. 12, 1977

[51] Int. Cl. .... D17-04

[52] U.S. Cl. .... D17/22

[58] Field of Search ..... D56/1 R, 1 E; 84/411 R, 84/411 P; D17/22

[56] References Cited

U.S. PATENT DOCUMENTS

- D. 218,854 9/1970 Thompson ..... D56/1 E
- D. 241,974 10/1976 Huster ..... D56/1 E

OTHER PUBLICATIONS

*Piano Trades Monthly*, 12-65, p. 79, Remo Practice Pad. Rogers Drums U.S.A. Cat. 67-68, ©'67, p. 41, "Latin Timbales".

*Primary Examiner*—Joel Stearman

*Assistant Examiner*—Jane E. Corrigan

*Attorney, Agent, or Firm*—Kenneth S. Klarquist

[57] CLAIM

The ornamental design for a drum, as shown.

DESCRIPTION

FIG. 1 is a top perspective view of a drum showing my new design;

FIG. 2 is a bottom perspective view;

FIG. 3 is an elevational view;

FIG. 4 is a top plan view; and

FIG. 5 is a bottom plan view.

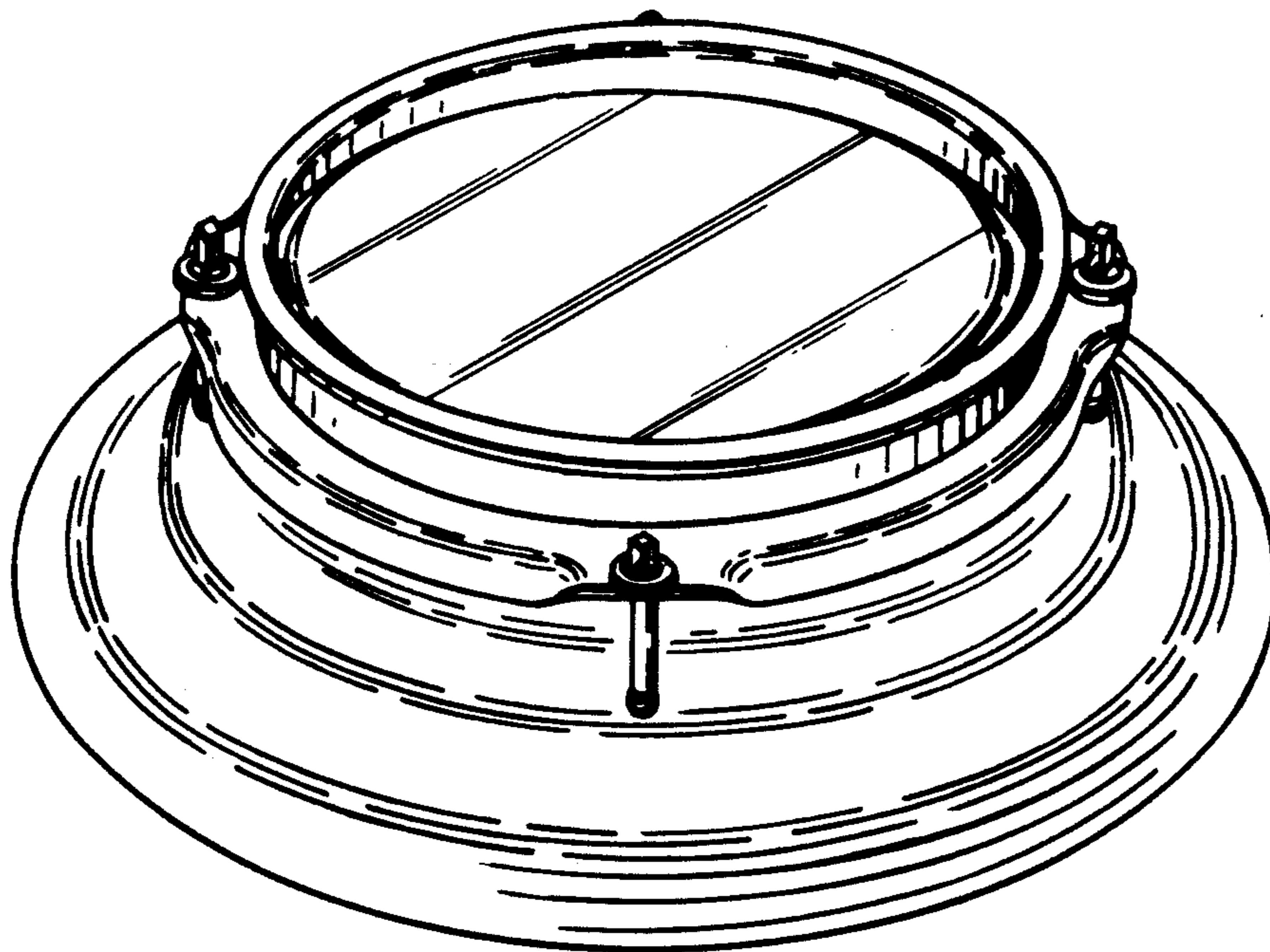


FIG. 2

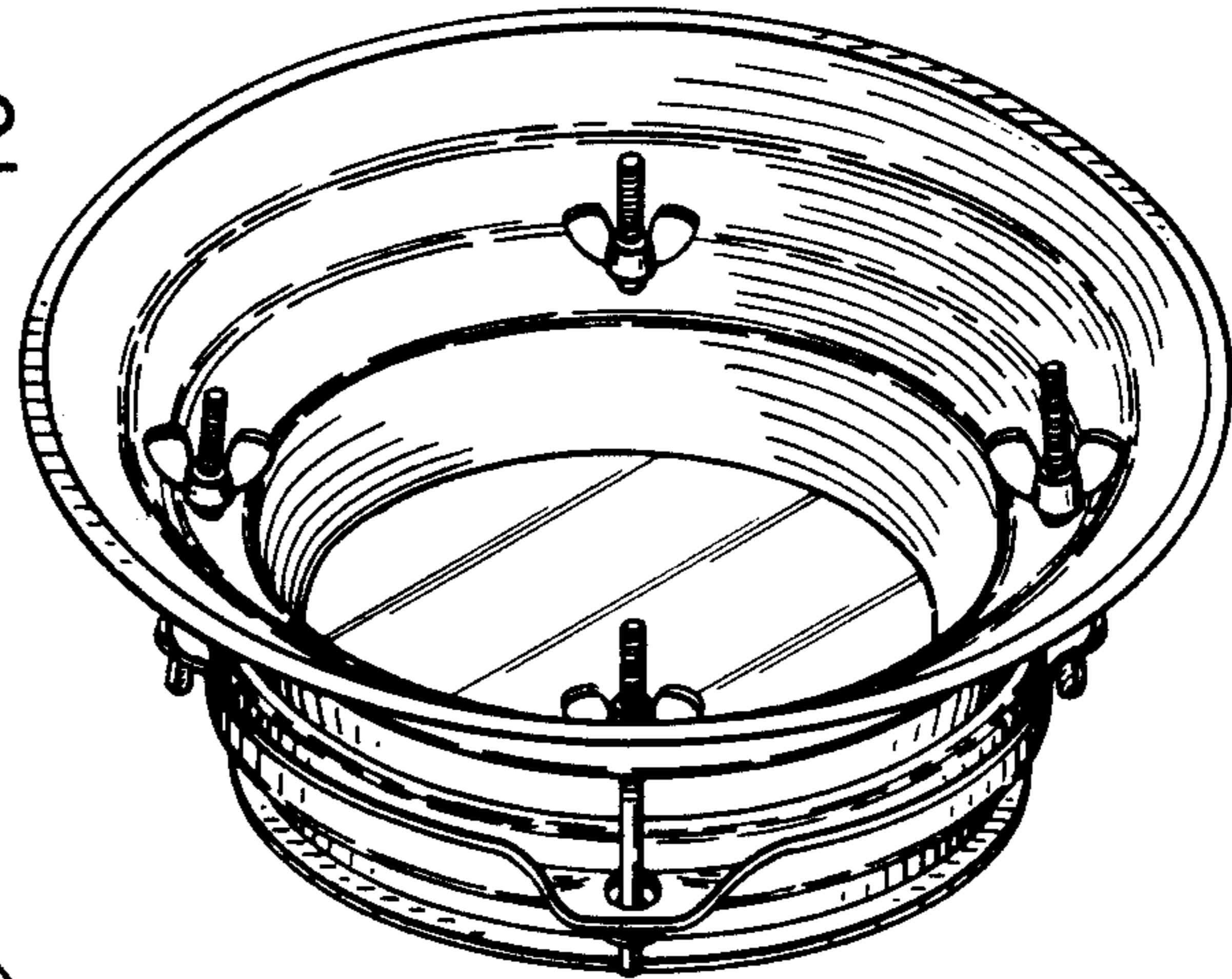


FIG. 1

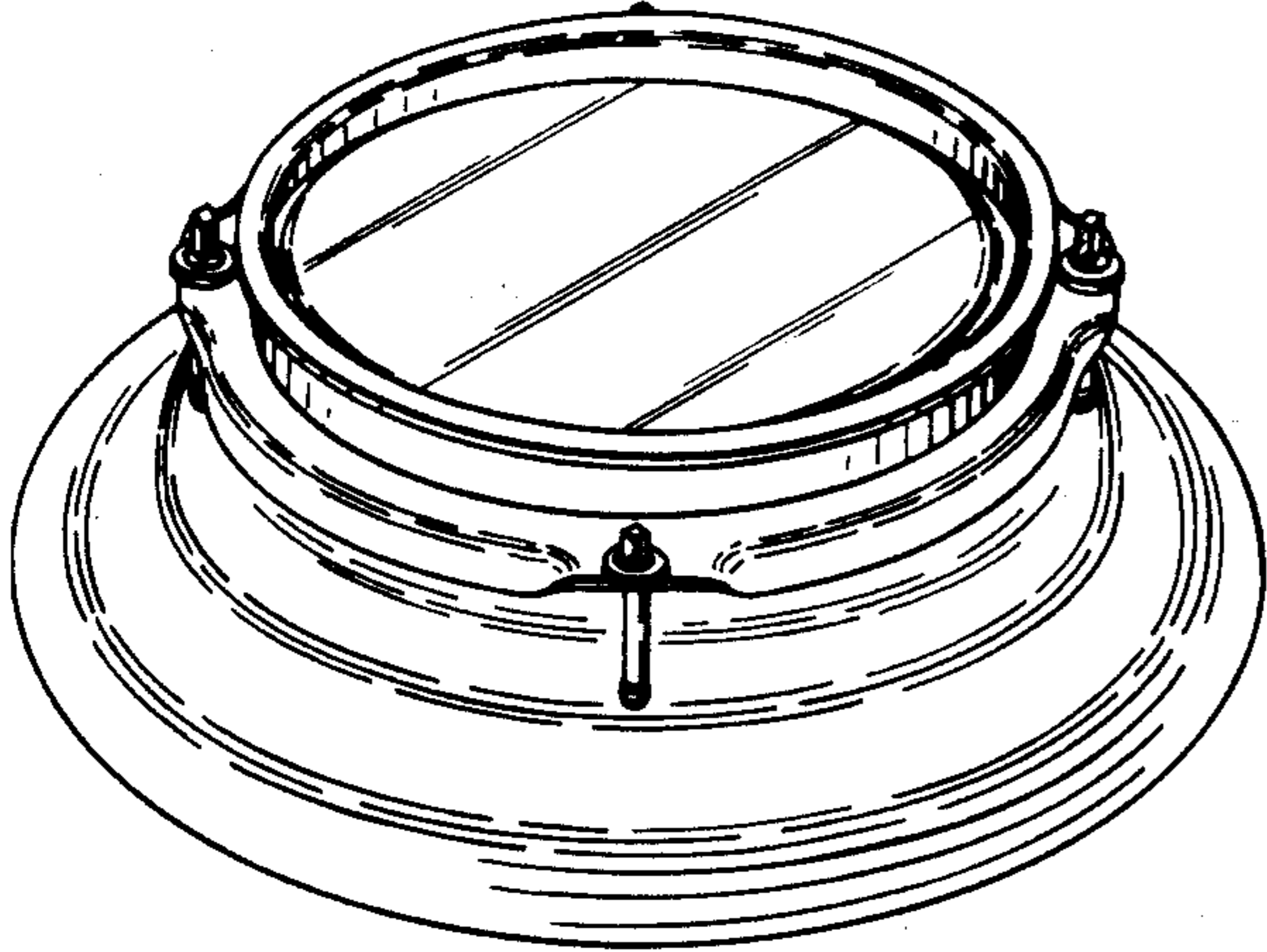


FIG. 3

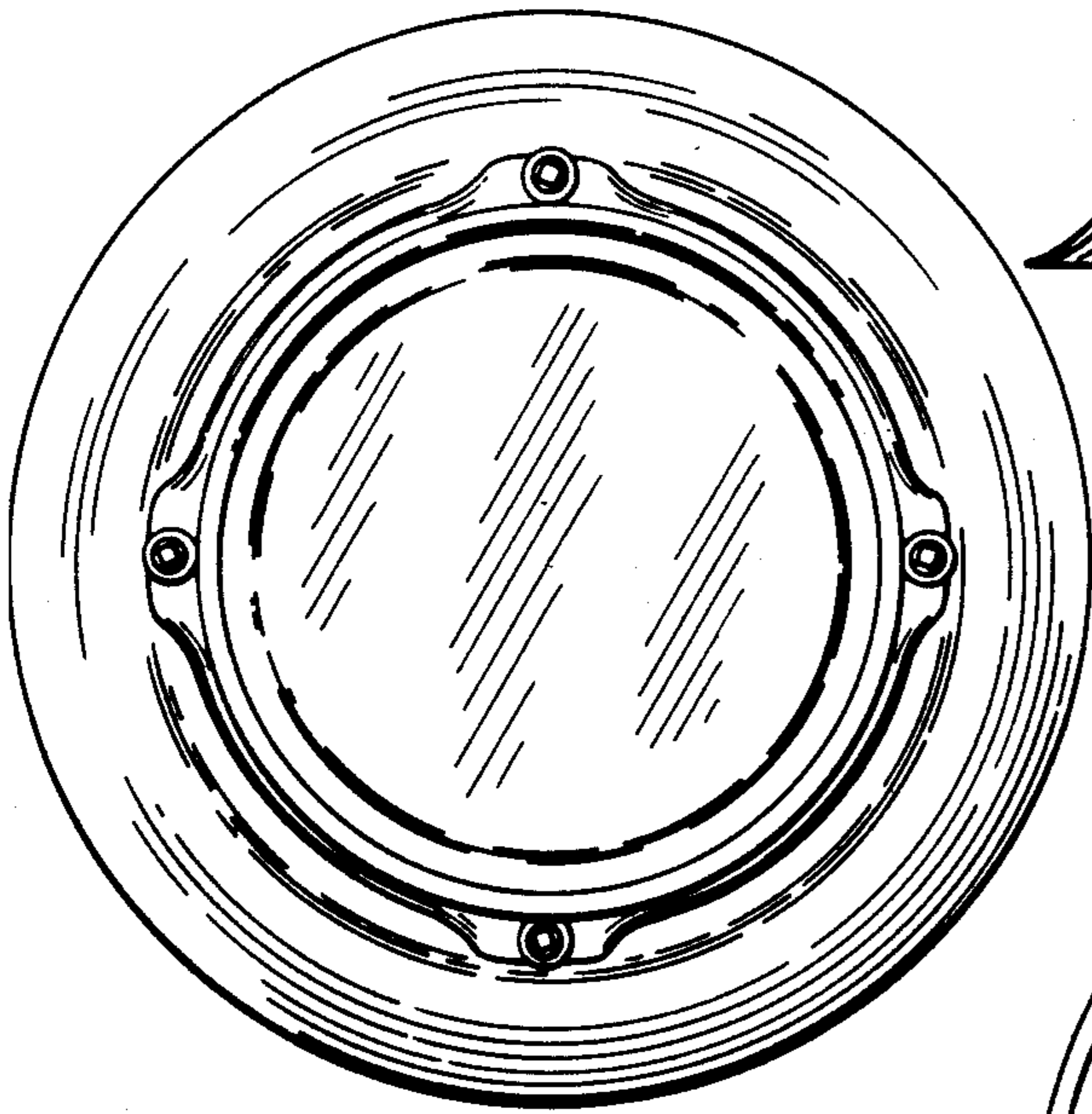
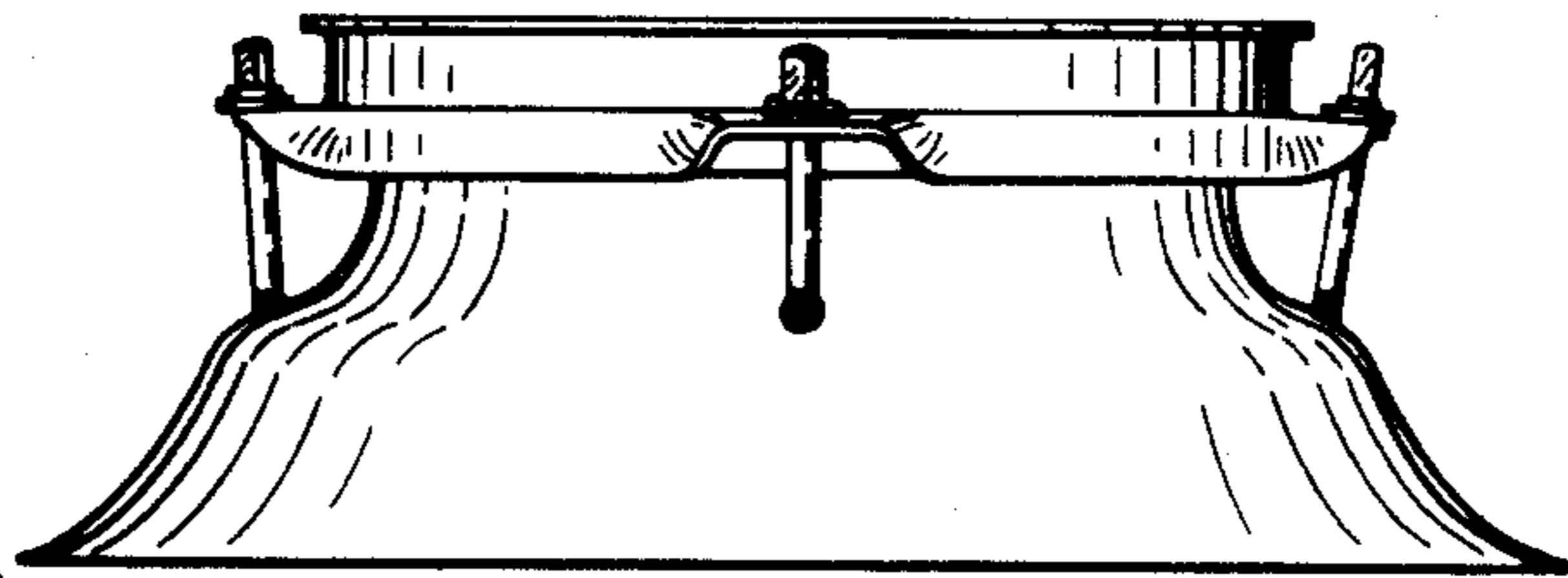


FIG. 4

FIG. 5

