

[54] MACHINE HOUSING FOR BELT-TYPE SURFACE FINISHING TOOL

[75] Inventors: Walter N. Welsch, Tonawanda; Elwin H. Fleckenstein, Alden, both of N.Y.

[73] Assignee: Dynabrade, Inc., Tonawanda, N.Y.

[\*\*] Term: 14 Years

[21] Appl. No.: 820,361

[22] Filed: Jul. 29, 1977

[51] Int. Cl. .... D15-09

[52] U.S. Cl. .... D15/126

[58] Field of Search ..... D15/122, 123, 126, 135; 51/135 R, 135 BT, 170 EB

[56] References Cited

U.S. PATENT DOCUMENTS

2,064,483	12/1936	McCaleb .....	51/170 EB
2,718,735	9/1955	Hamilton .....	51/170 EB
3,713,255	1/1973	Welsch .....	51/135 BT

Primary Examiner—Wallace R. Burke

Assistant Examiner—B. J. Bullock  
Attorney, Agent, or Firm—Bean, Kauffman & Bean

[57] CLAIM

The ornamental design for a machine housing for belt-type surface finishing tool, as shown and described.

DESCRIPTION

FIG. 1 is a reduced perspective view of a machine housing for belt-type surface finishing tool showing our new design;

FIG. 2 is a side elevational view taken from the left of FIG. 1;

FIG. 3 is a side elevational view taken from the right of FIG. 1;

FIG. 4 is a top plan view thereof;

FIG. 5 is a bottom plan view thereof;

FIG. 6 is an end elevational view taken from the left of FIG. 2;

FIG. 7 is an end elevational view taken from the right of FIG. 2;

FIG. 8 is a sectional view taken in the direction of the arrows on line 8—8 of FIG. 6;

FIG. 9 is a sectional view taken in the direction of the arrows on line 9—9 of FIG. 2.

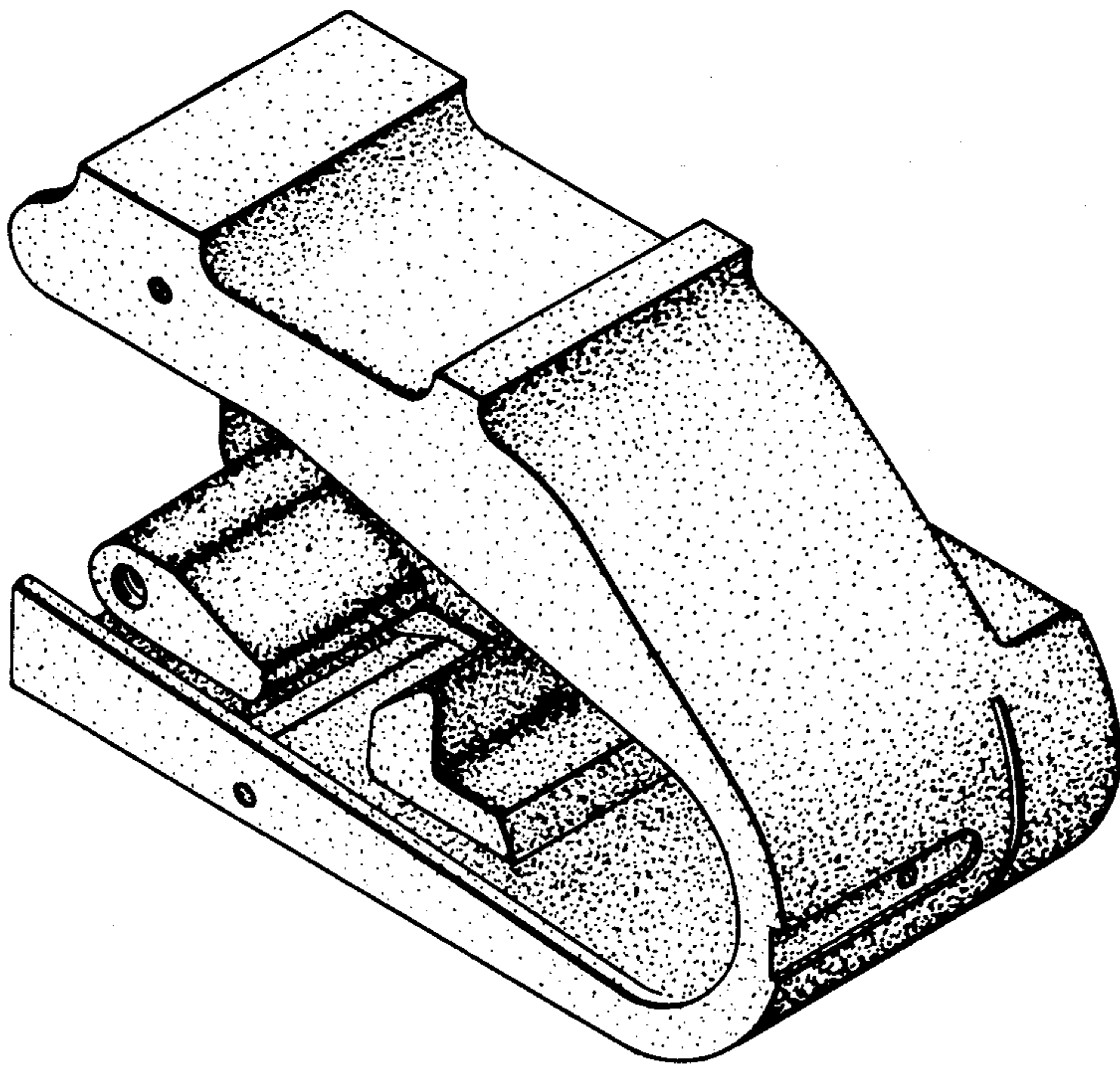


Fig. 1.

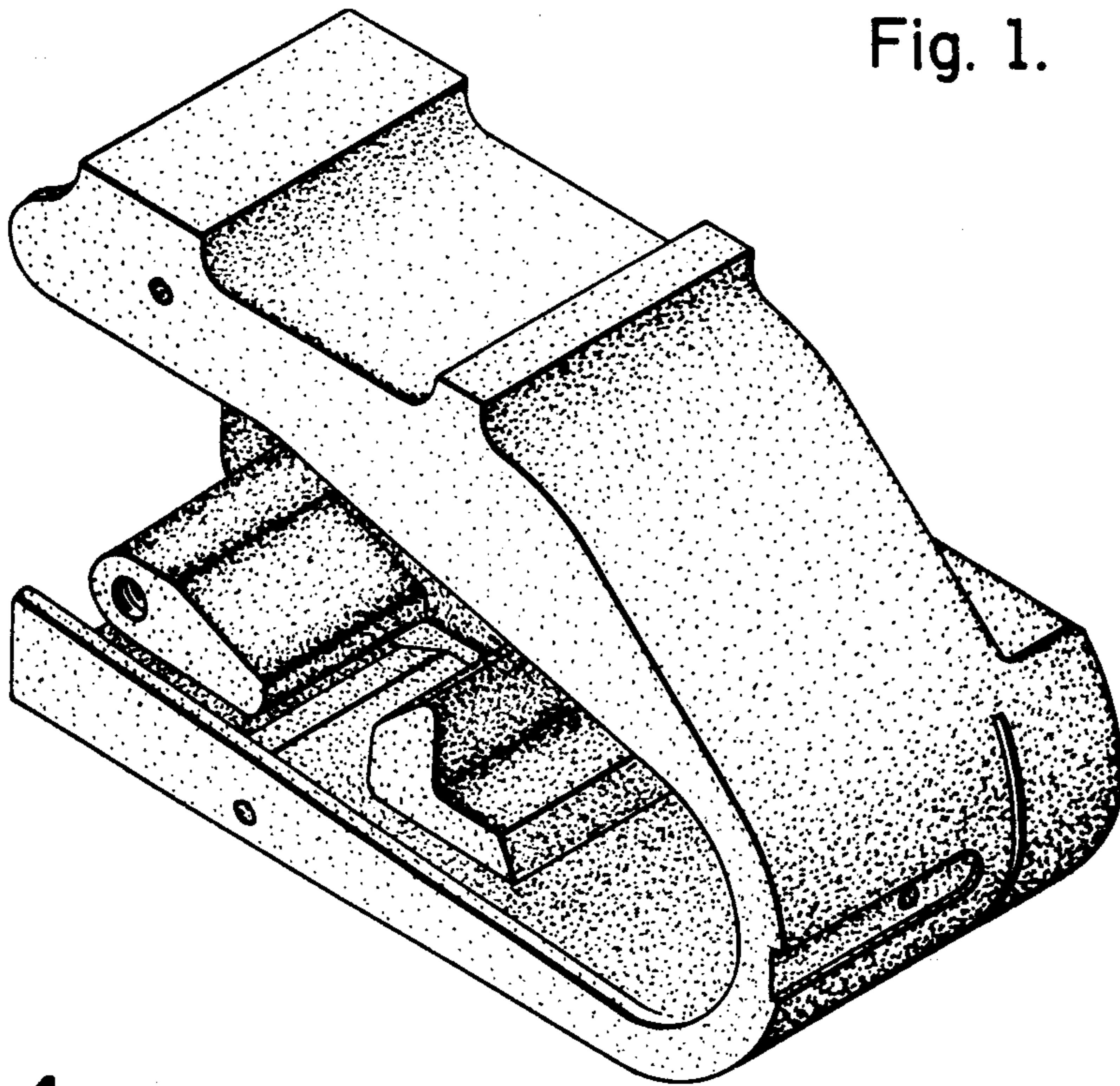


Fig. 4.

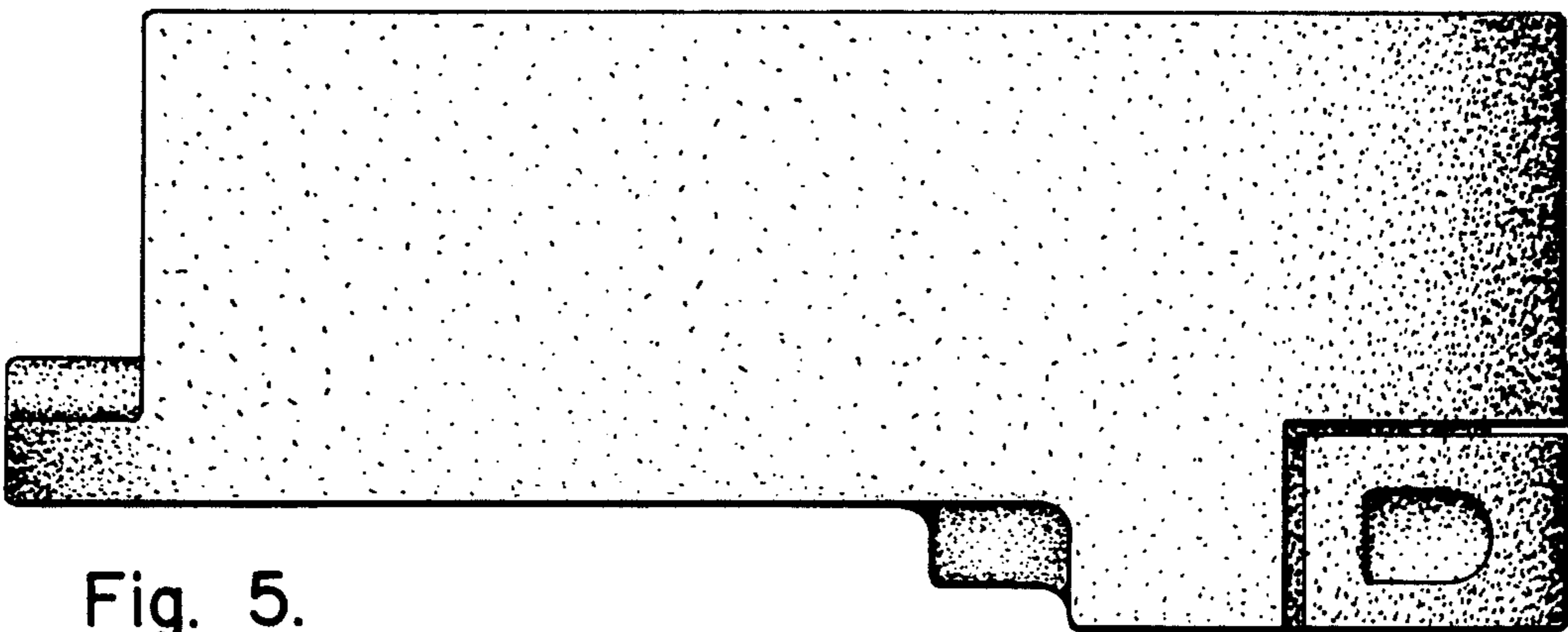
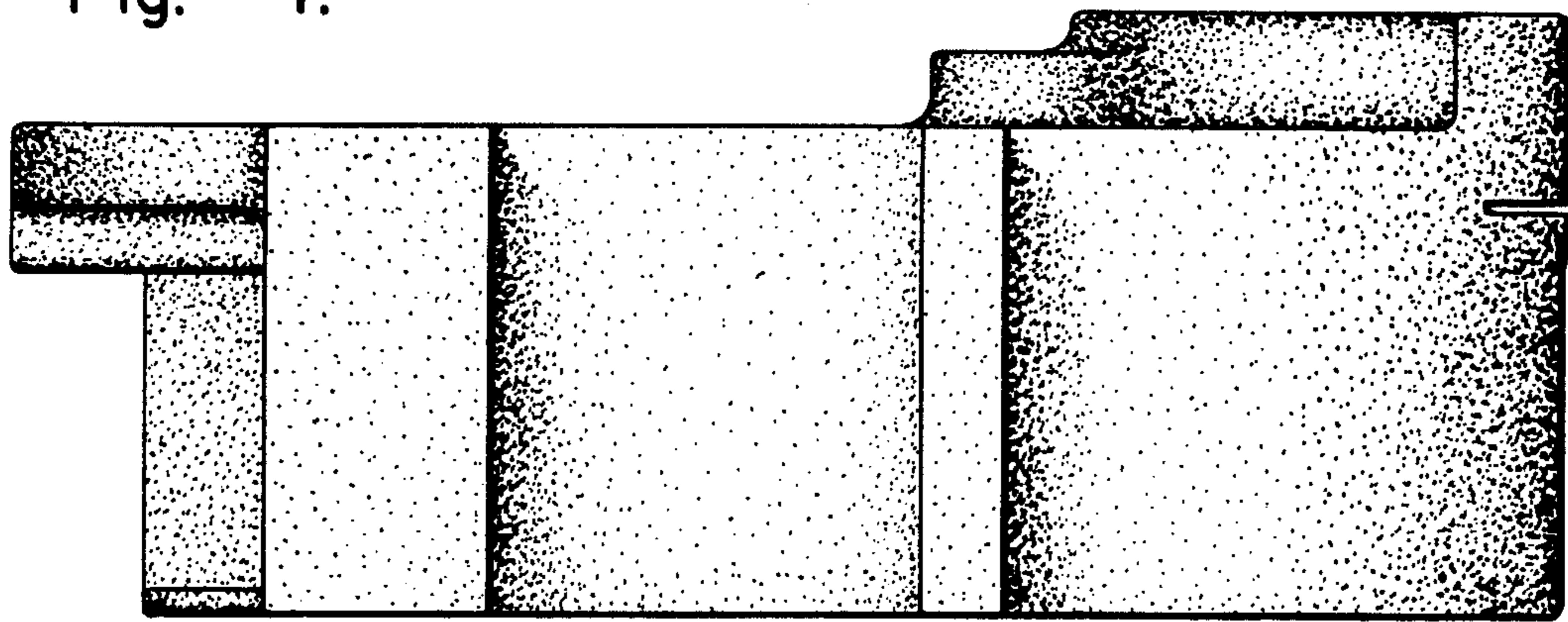


Fig. 5.

Fig. 2.

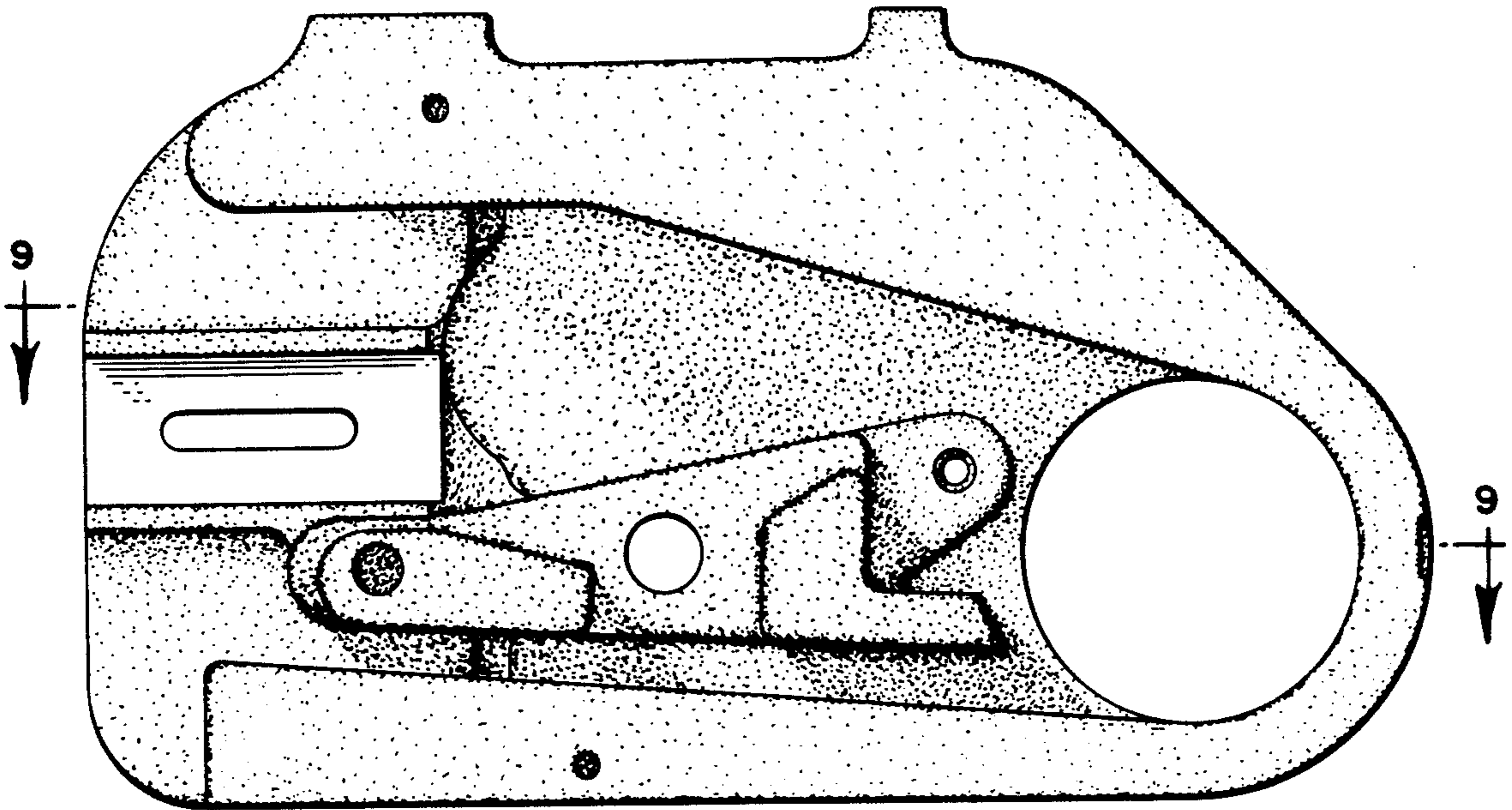


Fig. 3.

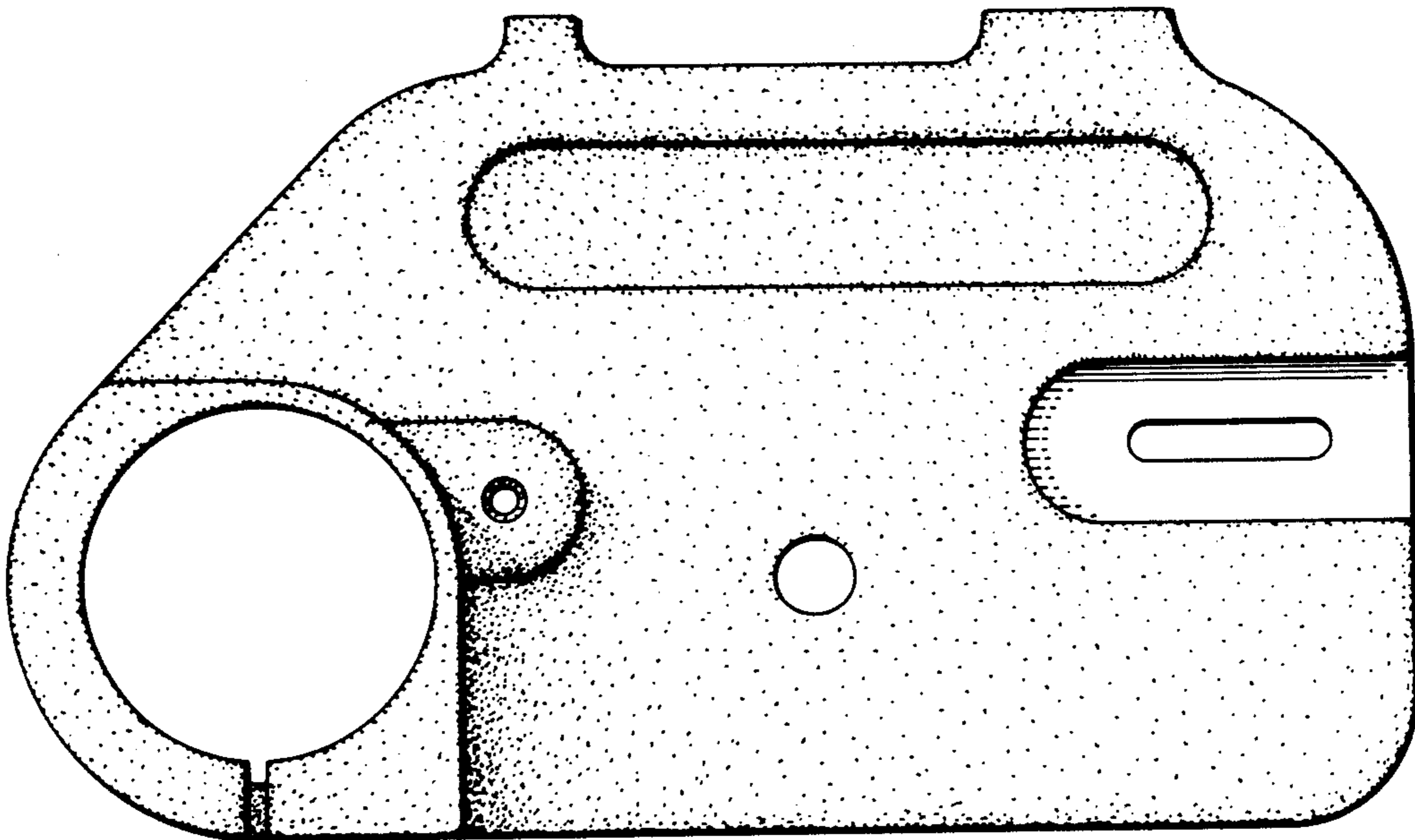


Fig. 6.

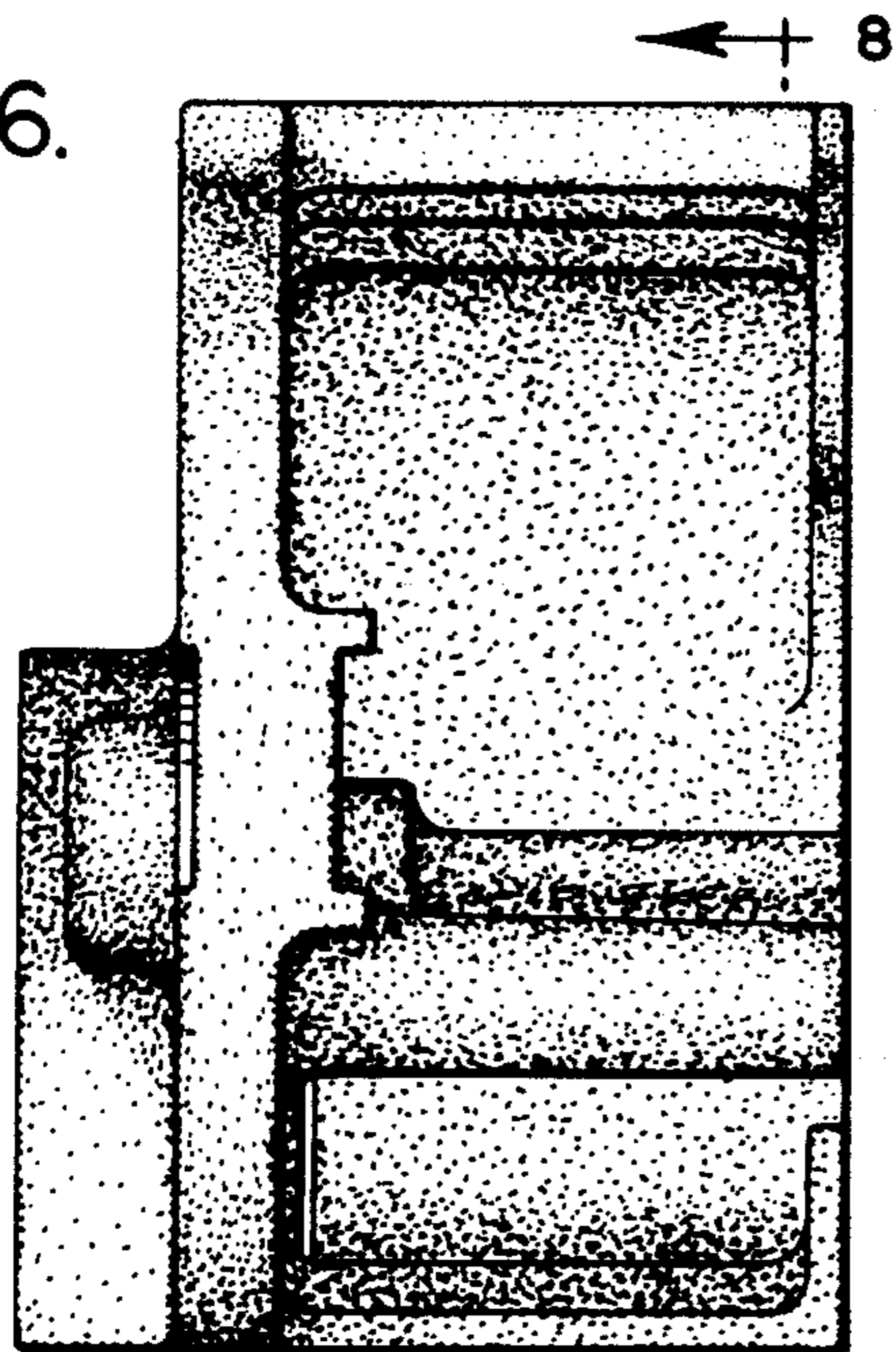


Fig. 7.

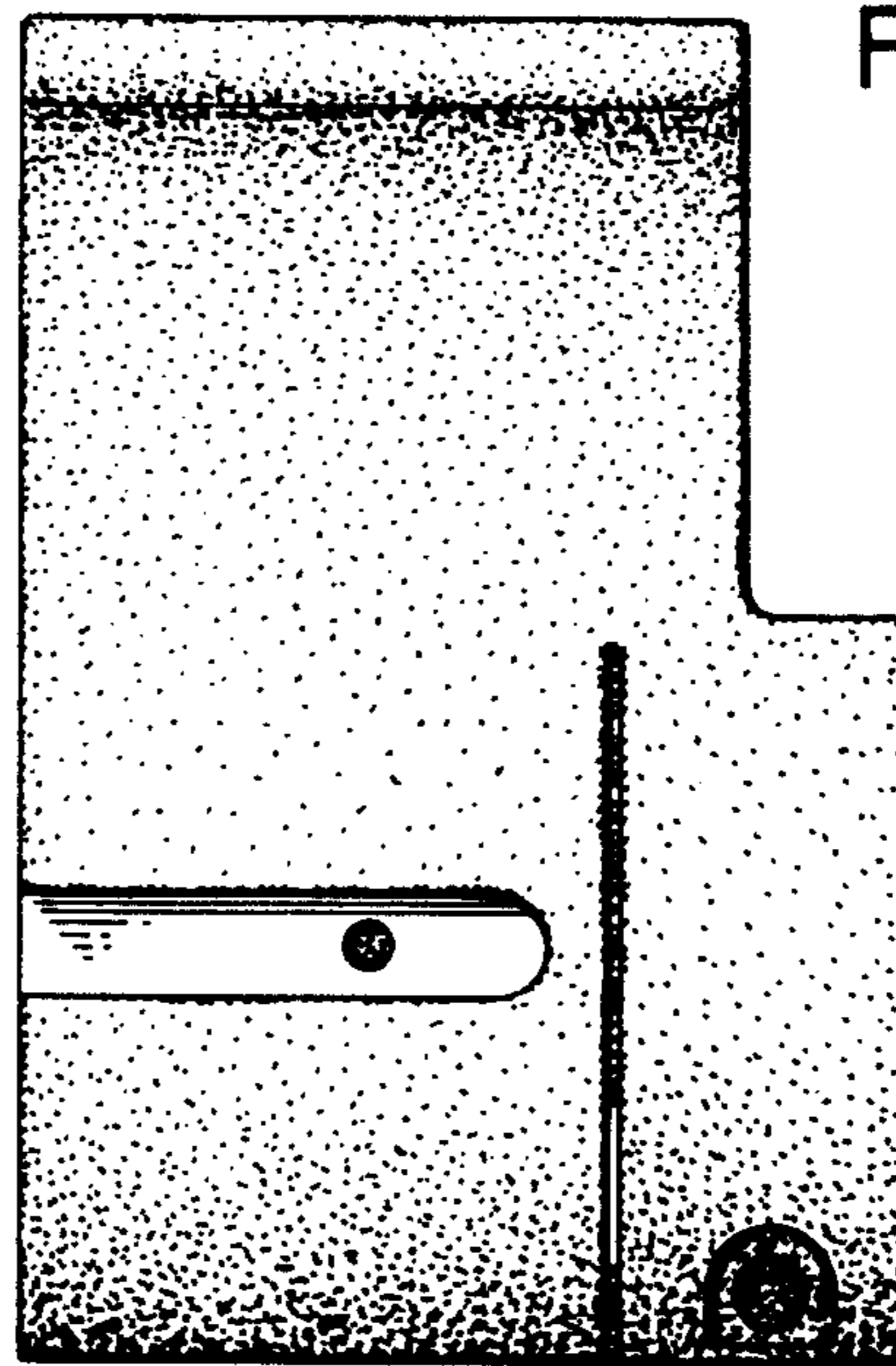


Fig. 8.

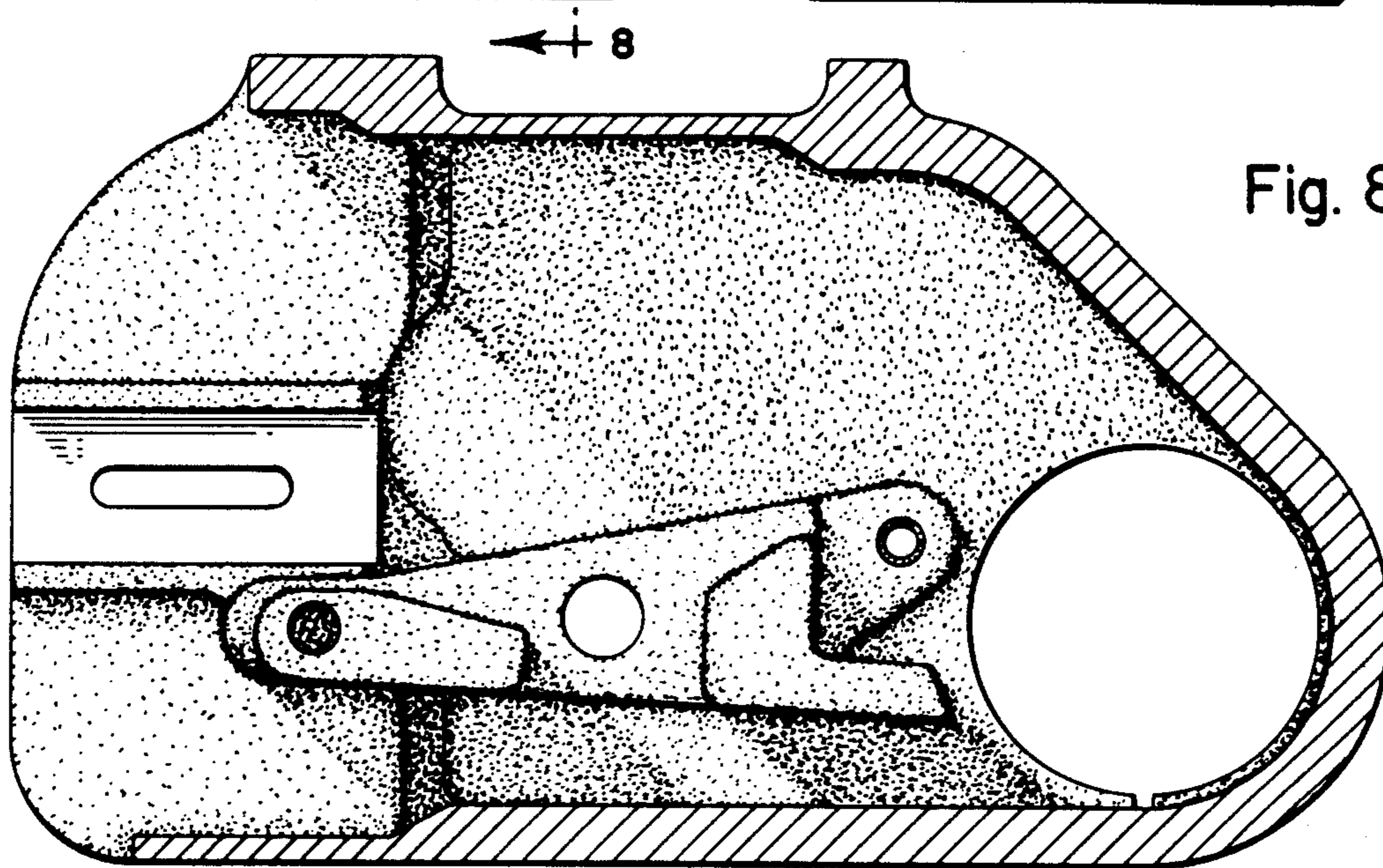


Fig. 9.

