

[54] PRODUCE HAMPER

[75] Inventor: Peter K. Boller, Willowdale, Canada

[73] Assignee: Consumers Glass Company Limited, Etobicoke, Canada

[\*\*] Term: 14 Years

[21] Appl. No.: 767,436

[22] Filed: Feb. 10, 1977

[51] Int. Cl. .... D9-03

[52] U.S. Cl. .... D9/220; D9/224; D9/243

[58] Field of Search ..... D9/224, 248, 243, 220, D9/216; 229/1.5 B; 47/66, 81; 77/163

[56] References Cited

U.S. PATENT DOCUMENTS

D. 202,119	8/1965	Shelby .....	D9/220
1,334,046	3/1920	Oppenorth .....	D9/243 X
2,060,468	11/1936	Mitchell .....	D9/248 X
3,596,464	7/1971	Harrison .....	229/1.5 B
3,785,088	1/1974	Guarriello .....	47/66

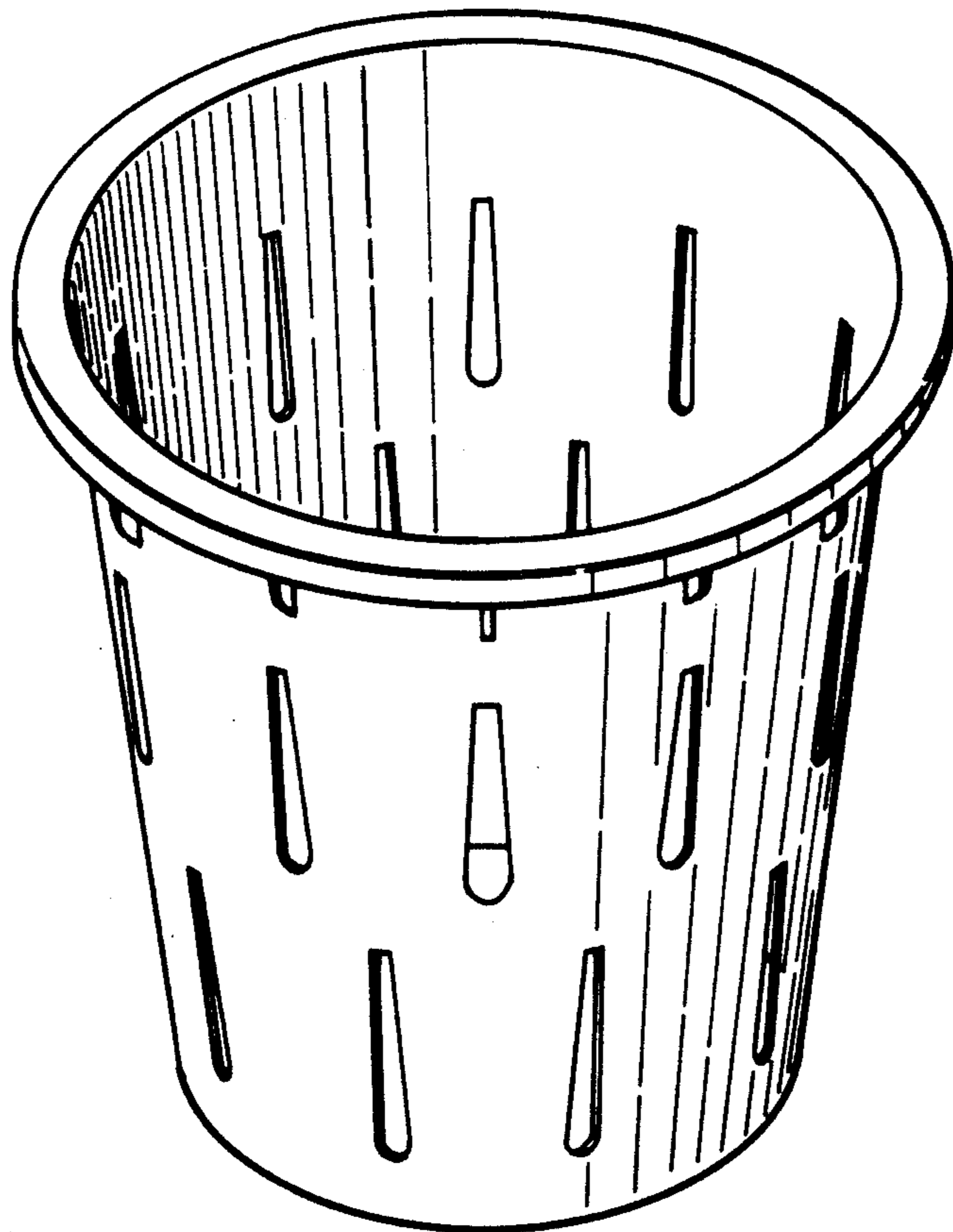
Primary Examiner—Robert G. Spangler

[57] CLAIM

The ornamental design for a produce hamper, as shown.

DESCRIPTION

FIG. 1 is a top perspective view of a produce hamper showing my new design; FIG. 2 is a bottom perspective view thereof; FIG. 3 is a side elevation view thereof; and FIG. 4 is a sectional view through the bottom thereof.



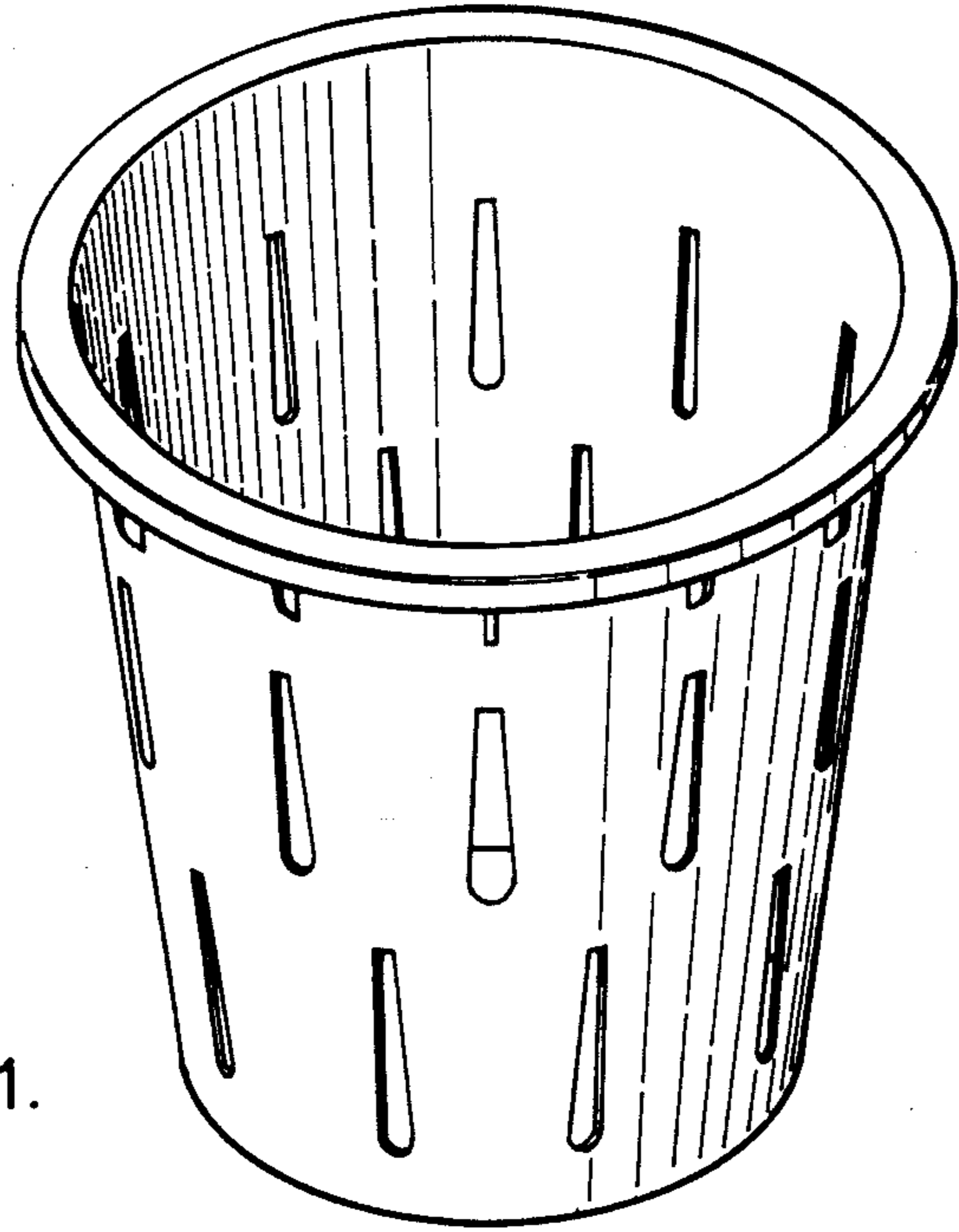


FIG. 1.

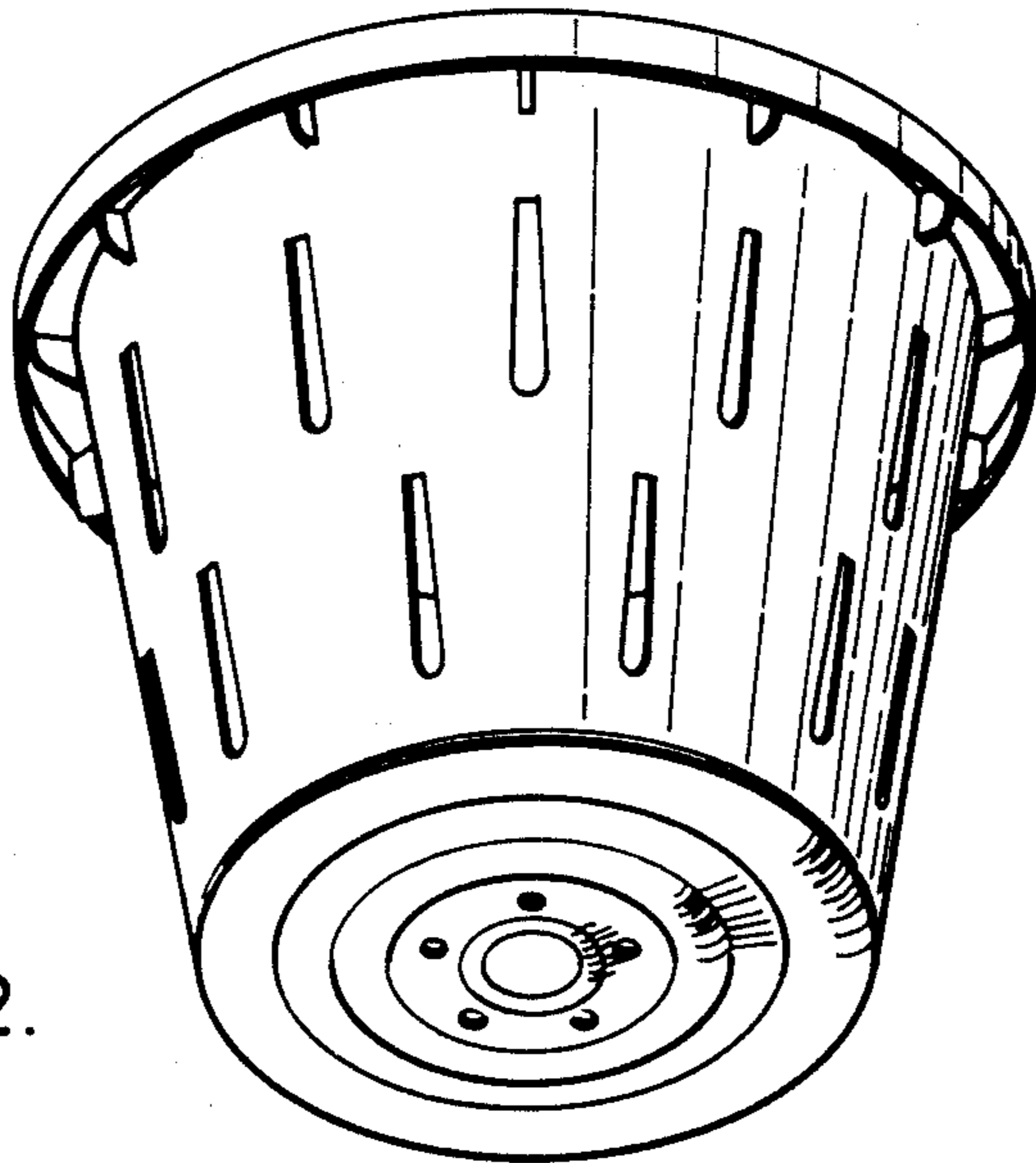


FIG. 2.

FIG. 3.

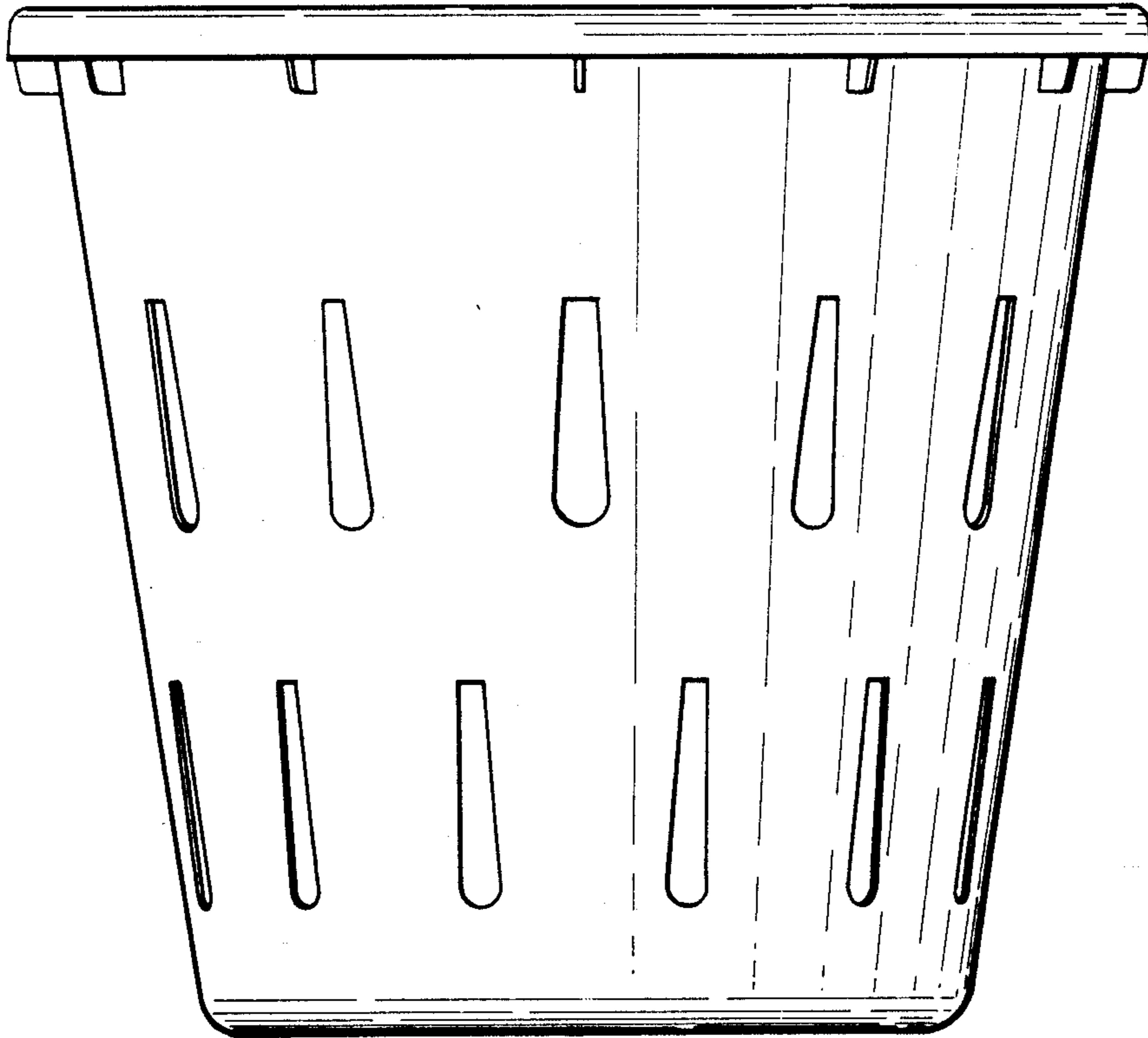


FIG. 4.

