

[54] BURNER

[75] Inventors: Stephen H. Matusiak; Gerald W. Matusiak, both of Etobicoke, Canada

[73] Assignee: Almatic Industries Limited, Mississauga, Canada

[\*\*] Term: 14 Years

[21] Appl. No.: 840,508

[22] Filed: Oct. 7, 1977

[51] Int. Cl. .... D23-03; D7-02

[52] U.S. Cl. .... D7/136

[58] Field of Search ..... D7/136; D23/129, 130; 126/38, 39 R, 39 E, 41 R, 38, 43

[56] References Cited

U.S. PATENT DOCUMENTS

3,229,679 1/1966 Boij et al. .... 126/43 X

Primary Examiner—Susan J. Lucas  
Assistant Examiner—Catherine Kemper

[57] CLAIM

The ornamental design for a burner, as shown.

DESCRIPTION

FIG. 1 is a top perspective view of a burner showing our new design;  
FIG. 2 is a bottom perspective view thereof;  
FIG. 3 is a side elevational view thereof.

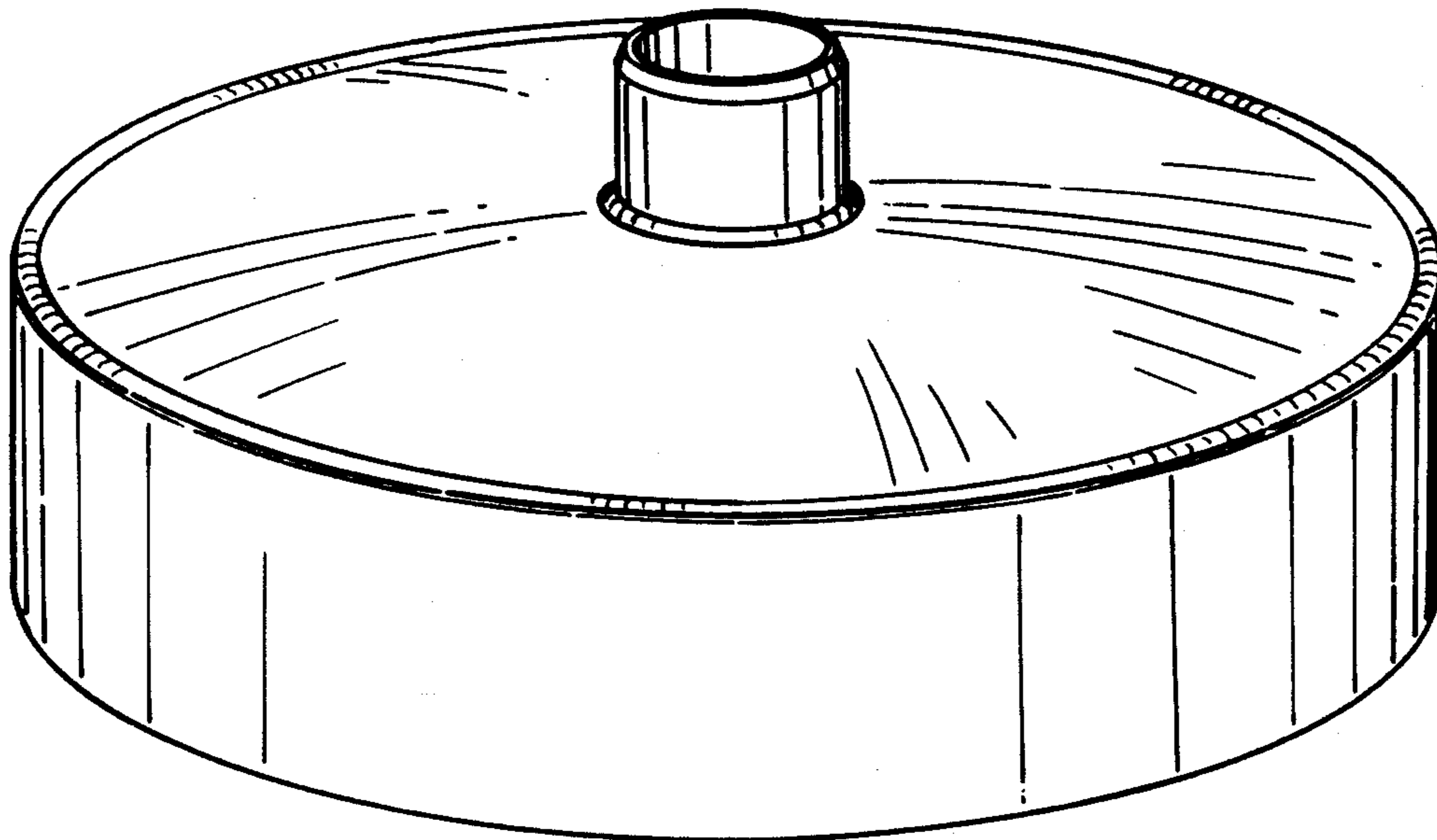


FIG.1

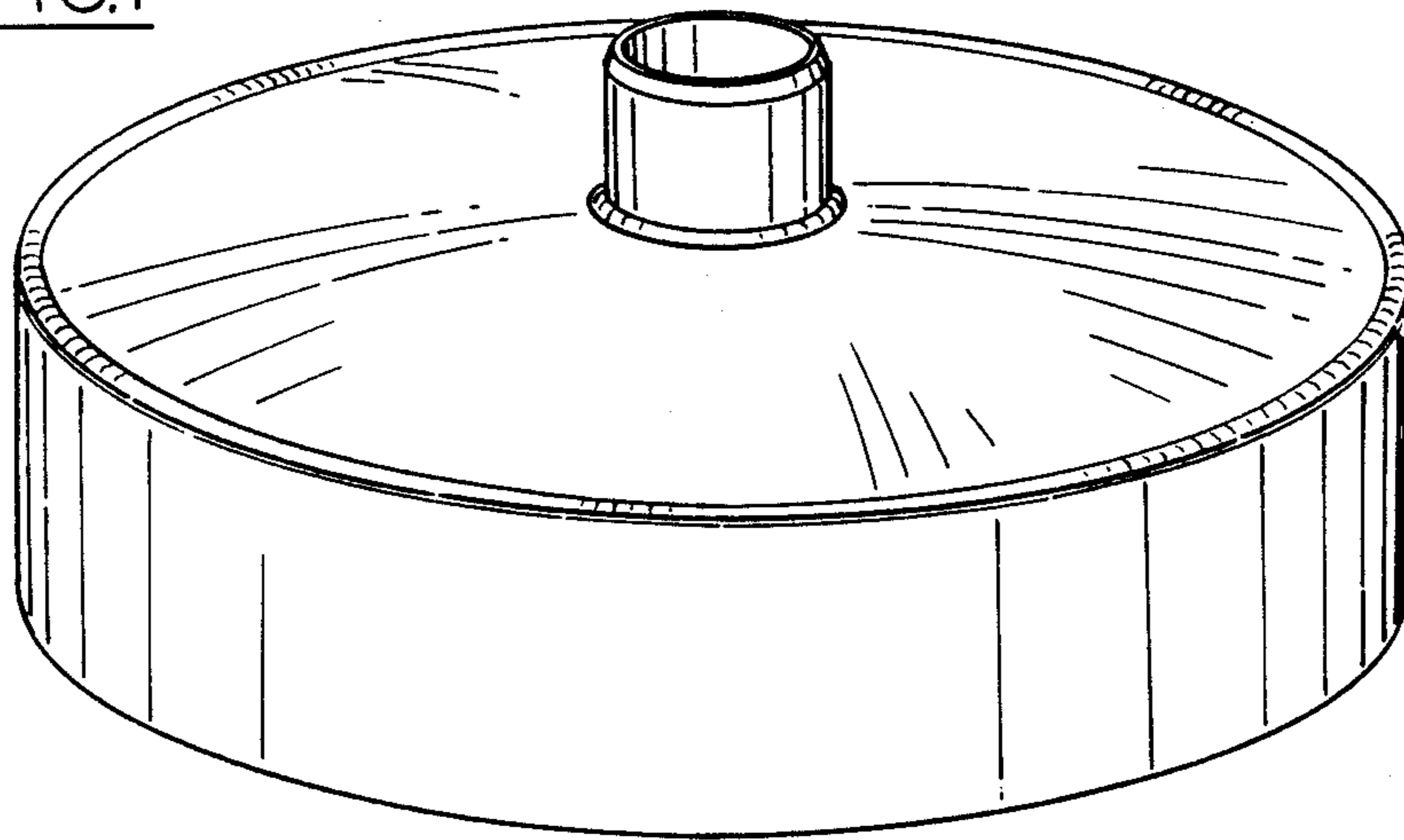


FIG.2

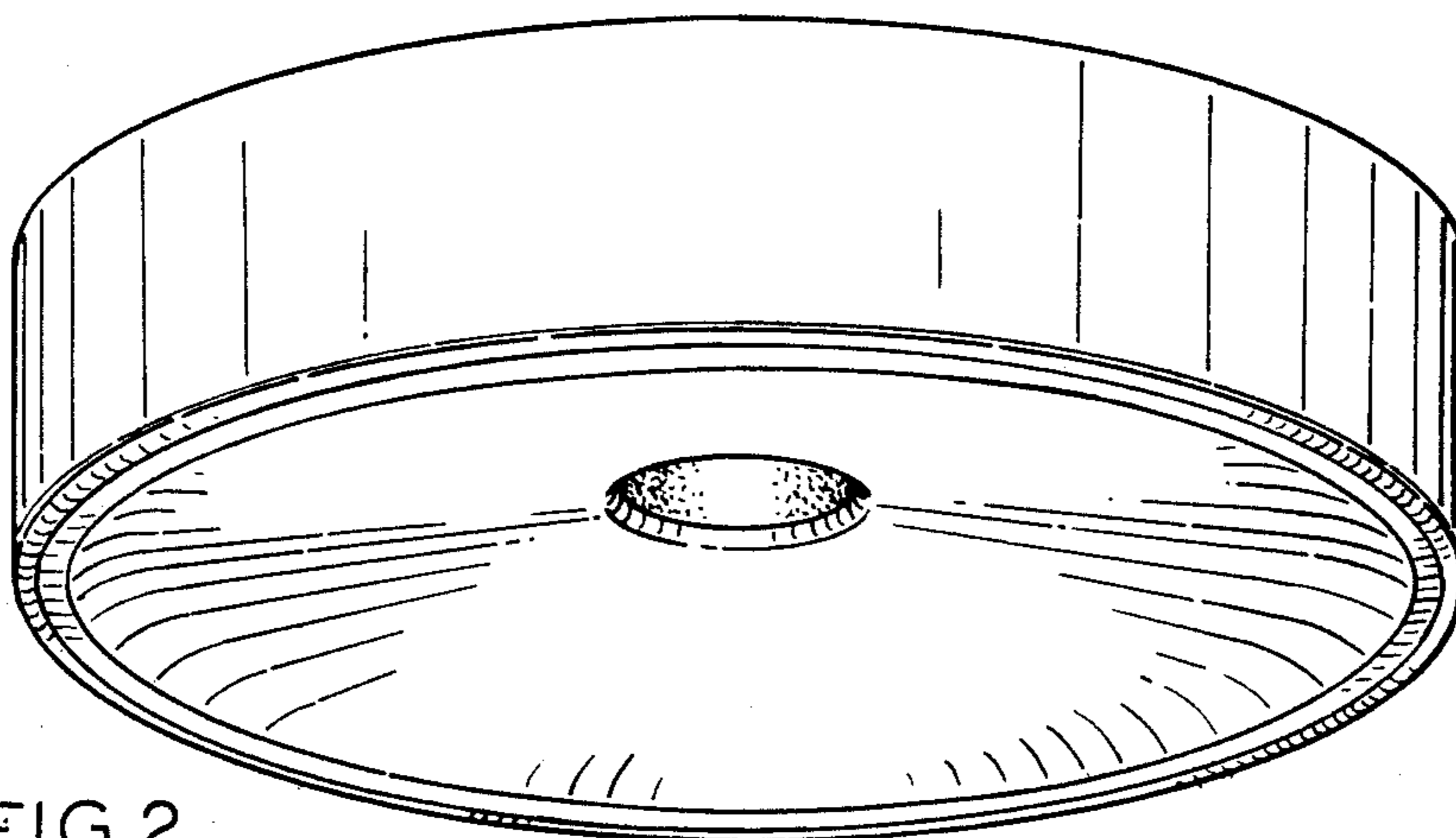


FIG.3

