

[54] KNIFE HOLDING BOARD

[76] Inventor: George A. Pallotta, Jr., 3430 Milbert Dr., Salt Lake City, Utah 84106

[**] Term: 14 Years

[21] Appl. No.: 804,863

[22] Filed: Jun. 15, 1977

[51] Int. Cl. D07-06

[52] U.S. Cl. D7/74

[58] Field of Search D9/184, 185; 206/553, 206/564, 561; 211/60 T; 248/37.3; D6/130, 157, 188, 125, 189; D7/73, 74

[56] References Cited

U.S. PATENT DOCUMENTS

D. 160,314 10/1950 Fuller D7/74
1,594,401 8/1926 Zeitung 206/553

1,939,497 12/1933 Herring 206/553 X
2,357,646 9/1944 Gilbert D7/74 X
2,366,046 12/1944 Naken 206/553 X
2,694,485 11/1954 Naken 206/553 X

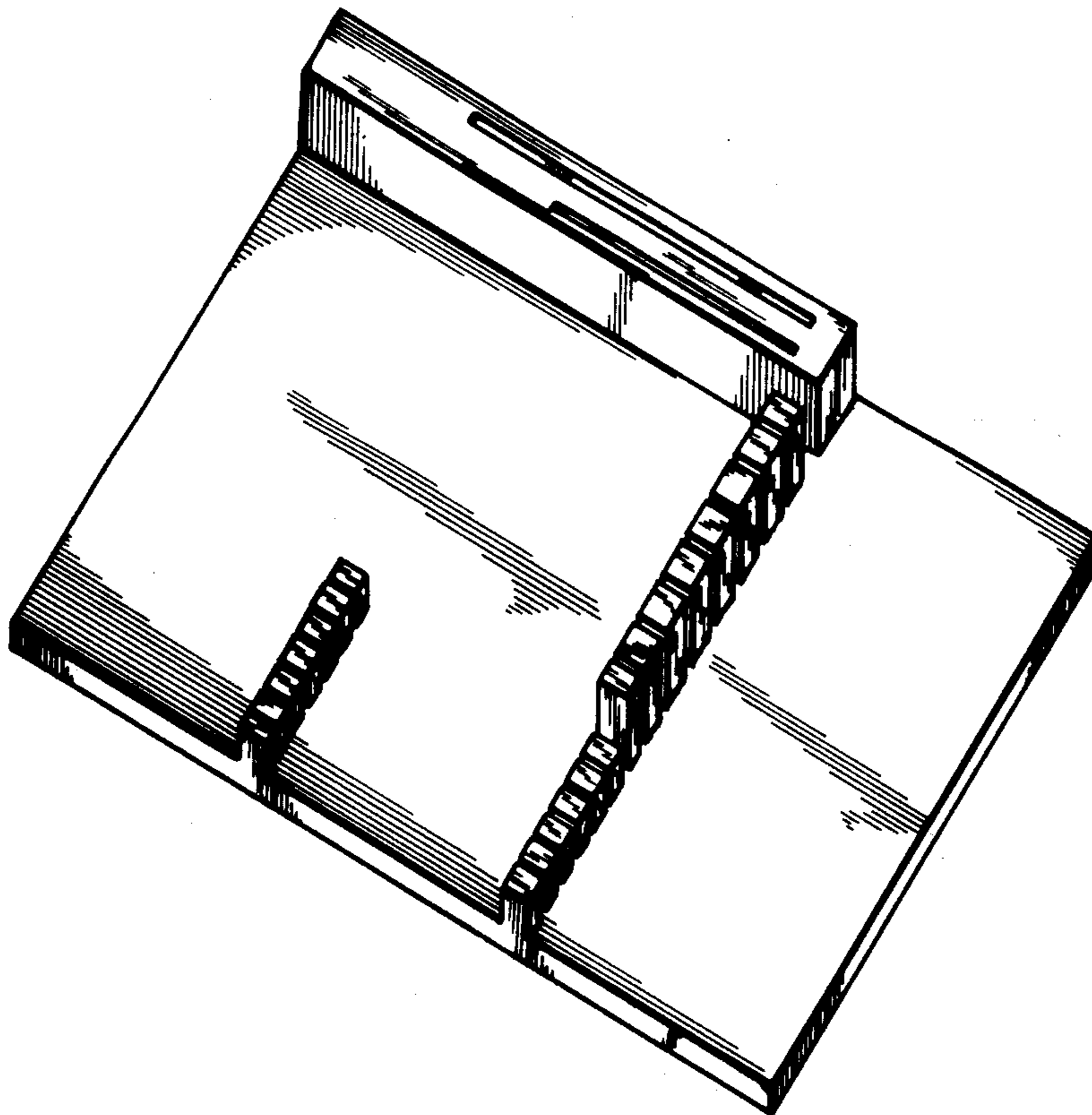
Primary Examiner—Winifred E. Herrmann
Attorney, Agent, or Firm—Thorpe, North & Gold

[57] CLAIM

The ornamental design for a knife holding board, substantially as shown and described.

DESCRIPTION

FIG. 1 is a top perspective view of a knife holding board showing my new design;
FIG. 2 is a front elevational view thereof;
FIG. 3 is a rear elevational view thereof;
FIG. 4 is a left side elevational view thereof; and
FIG. 5 is a right side elevational view thereof.
The bottom view of the design is plane and unornamented.



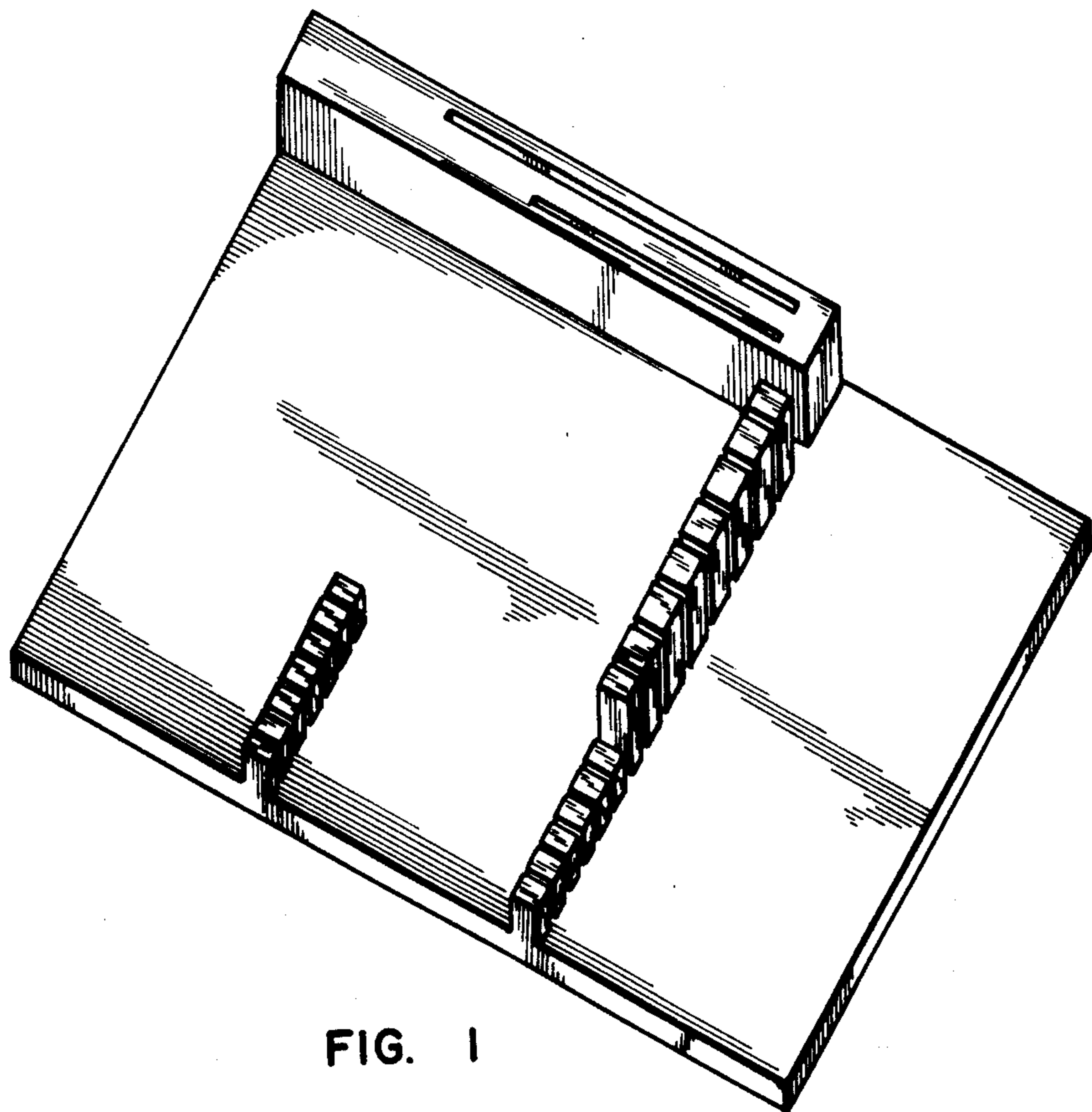


FIG. 1

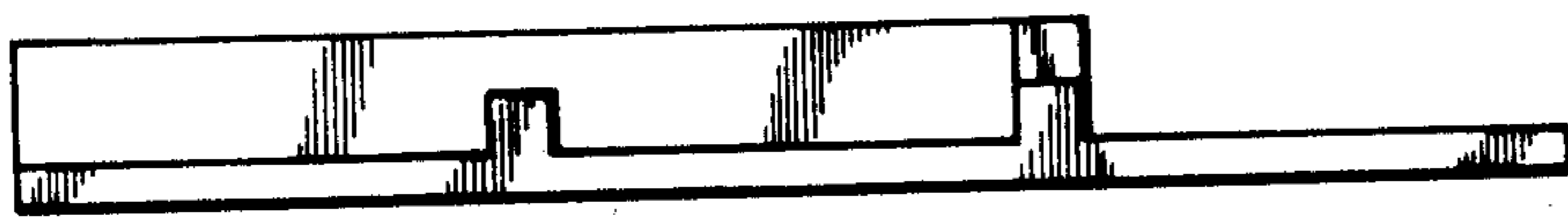


FIG. 2

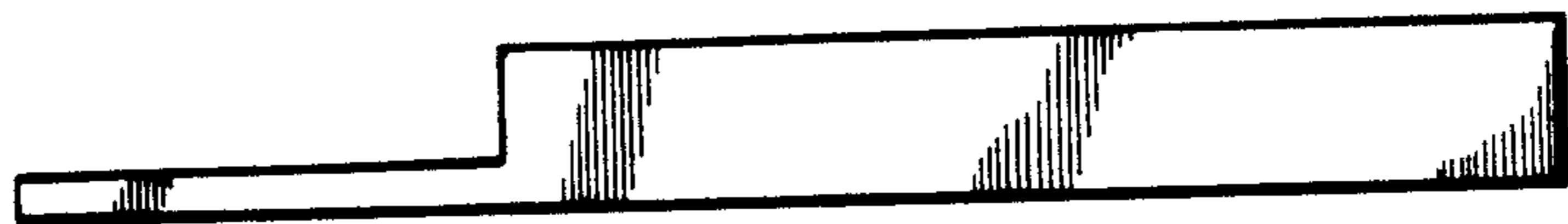


FIG. 3



FIG. 4



FIG. 5