

[54] KNIFE HOLDING BOARD

[76] Inventor: George A. Pallotta, Jr., 3430 Milbert Dr., Salt Lake City, Utah 84106

[**] Term: 14 Years

[21] Appl. No.: 804,862

[22] Filed: Jun. 15, 1977

[51] Int. Cl. D07-06

[52] U.S. Cl. D7/74

[58] Field of Search D9/184, 185; 206/553, 206/564, 561; 211/60 T; 248/37.3; D6/130, 157, 188, 125, 189; D7/73, 74

[56] References Cited

U.S. PATENT DOCUMENTS

| | | | | |
|------------|---------|-----------|-------|---------|
| D. 121,077 | 6/1940 | O'Connell | | D7/74 X |
| D. 167,946 | 10/1952 | Liblick | | D7/74 |
| 1,594,401 | 8/1926 | Zeitung | | 206/553 |

| | | | | |
|-----------|---------|---------|-------|-----------|
| 1,939,497 | 12/1933 | Herring | | 206/553 X |
| 2,357,646 | 9/1944 | Gilbert | | D7/74 X |
| 2,366,046 | 12/1944 | Naken | | 206/553 X |
| 2,694,485 | 11/1954 | Naken | | 206/553 X |

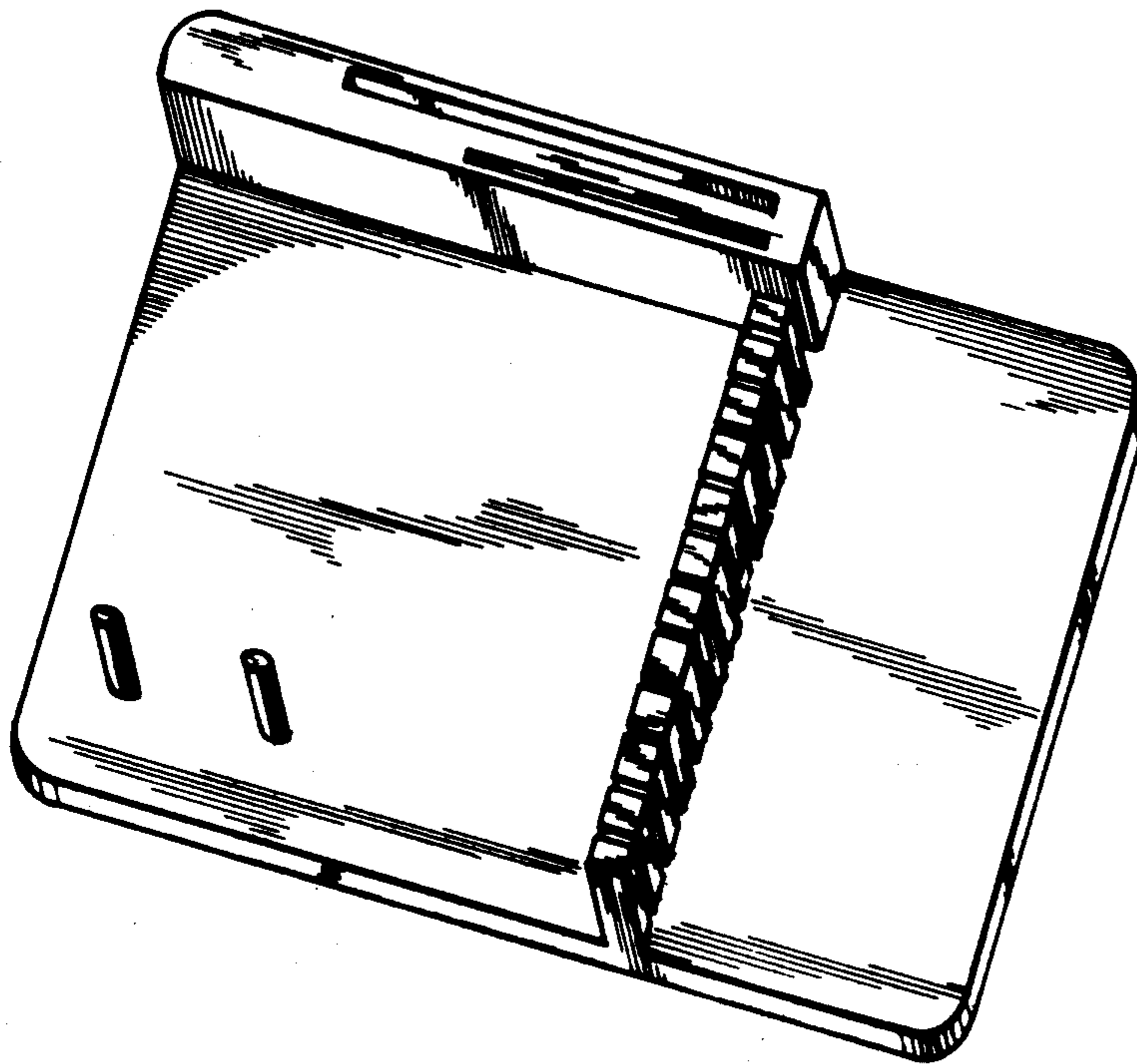
Primary Examiner—Winifred E. Herrmann
Attorney, Agent, or Firm—Vaughn W. North

[57] CLAIM

The ornamental design for a knife holding board, substantially as shown and described.

DESCRIPTION

FIG. 1 is a top perspective view of a knife holding board showing my new design; FIG. 2 is a front elevational view thereof; FIG. 3 is a rear elevational view thereof; FIG. 4 is a left side elevational view thereof; and FIG. 5 is a right side elevational view thereof. The bottom view of the design is plane and unornamented.



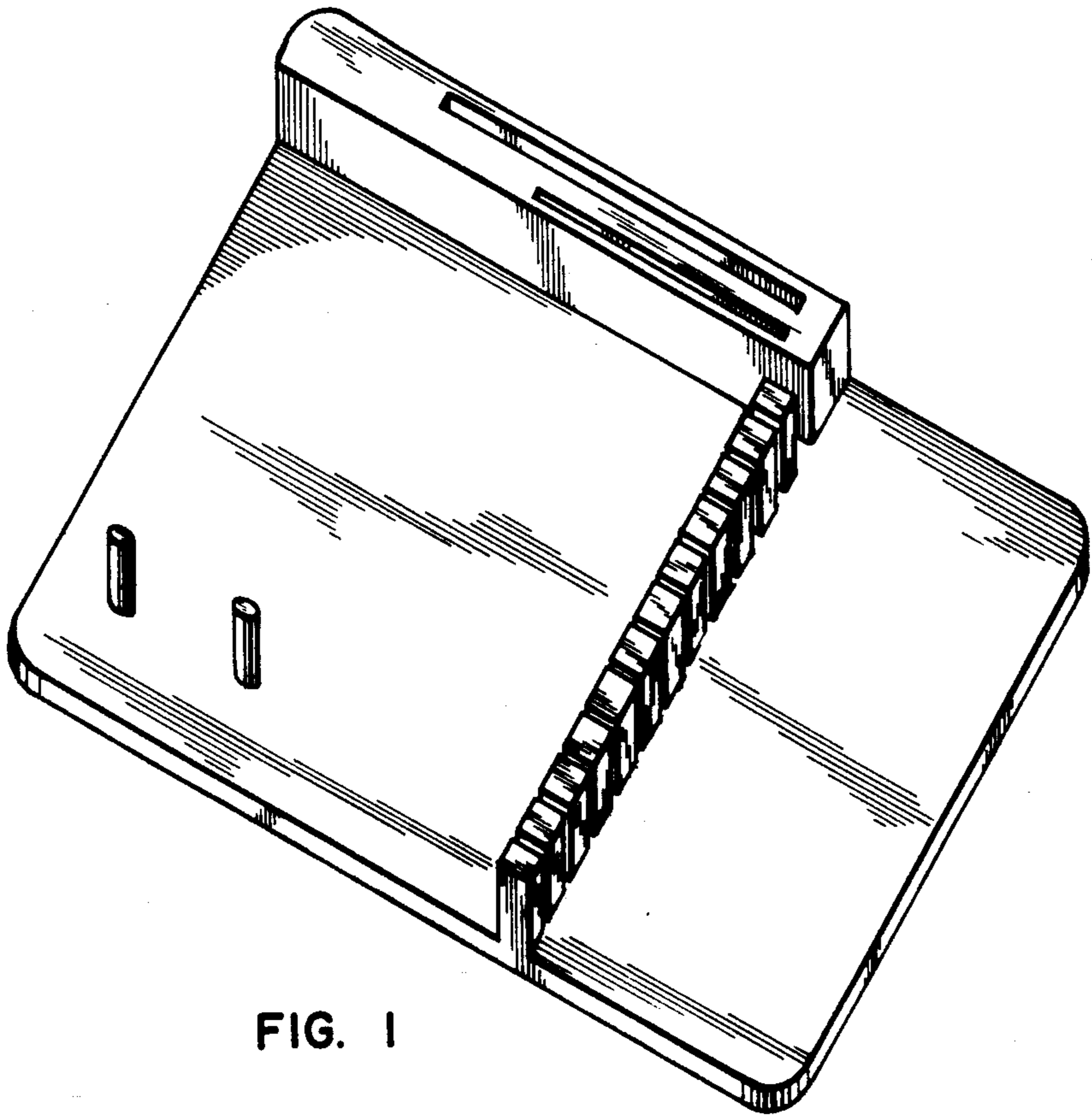


FIG. 1

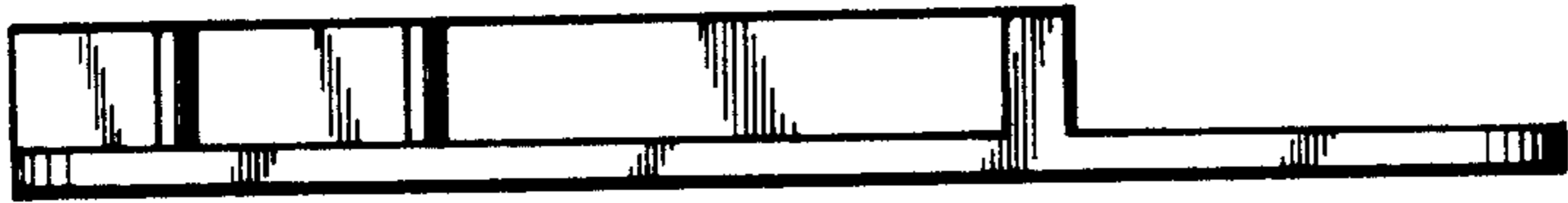


FIG. 2



FIG. 3



FIG. 4



FIG. 5