

[54] COMBINED CHAIR AND TRAY FOR THE HANDICAPPED

[75] Inventors: Berthold B. Dieter; Charles L. Gibson, both of Terre Haute, Ind.

[73] Assignee: Creative Playgrounds Corporation, Terre Haute, Ind.

[**] Term: 14 Years

[21] Appl. No.: 873,163

[22] Filed: Jan. 30, 1978

[51] Int. Cl. D6-05

[52] U.S. Cl. D6/42

[58] Field of Search D6/8, 42, 45, 47, 67-78, D6/43, 44; 297/135, 148, 149, 150, 153

[56] References Cited

U.S. PATENT DOCUMENTS

D. 190,030	4/1961	Beardmore	D6/42
D. 207,779	5/1967	Gunnell	D6/8
D. 244,521	5/1977	Burridge	D6/8 X

OTHER PUBLICATIONS

Progressive Architecture, Sep. 1977, p. D20, Chair upper right by Roffman.

Primary Examiner—Bruce W. Dunkins
Attorney, Agent, or Firm—Jenkins, Coffey, Hyland, Badger & Conard

[57] CLAIM

The ornamental design for a combined chair and tray for the handicapped, as shown.

DESCRIPTION

FIG. 1 is a perspective view showing the front and left side of the combined chair and tray for the handicapped showing our new design;

FIG. 2 is a front elevational view of the chair;

FIG. 3 is a top plan view of the chair;

FIG. 4 is a left side elevational view of the chair;

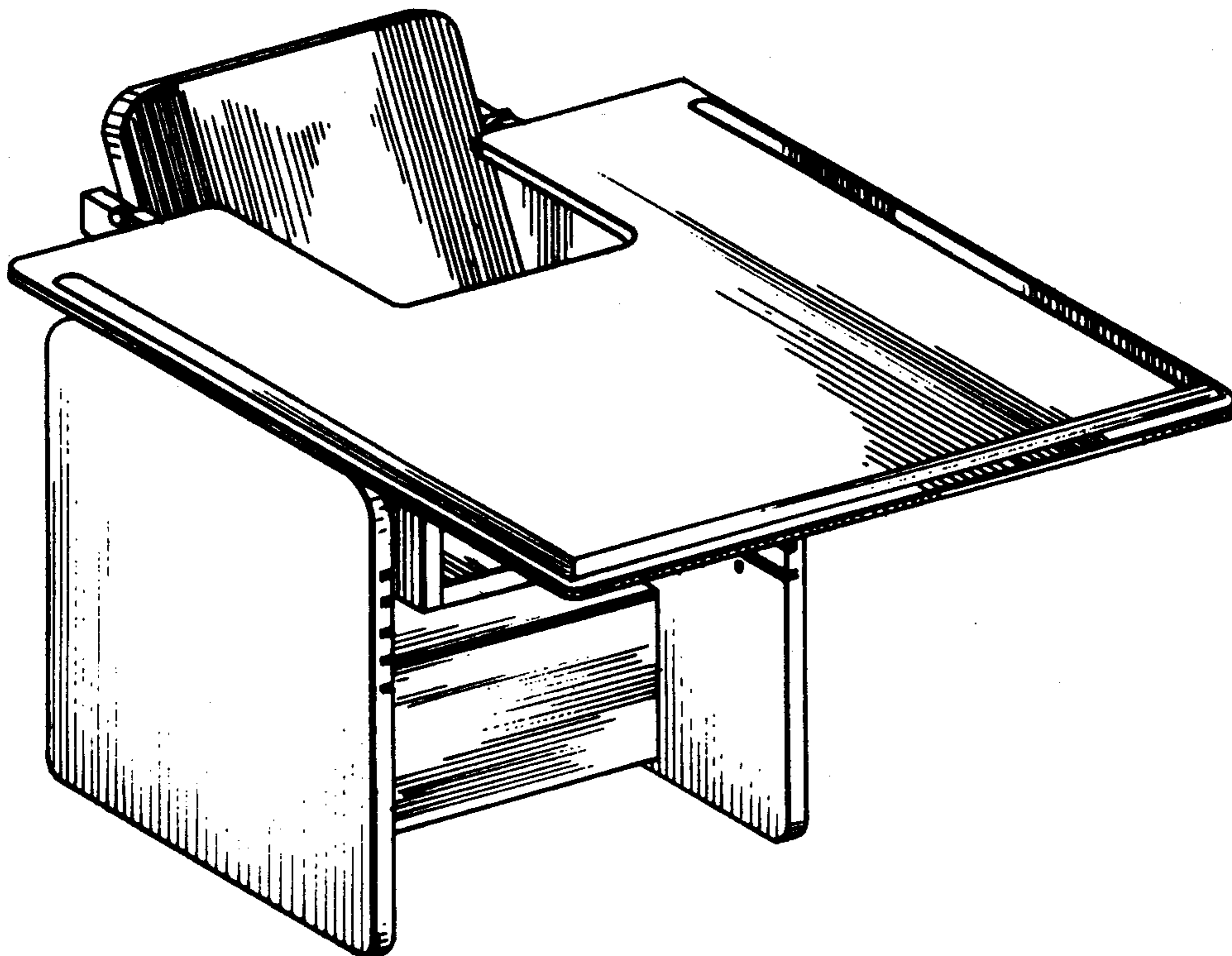
FIG. 5 is a right side elevational view of the chair;

FIG. 6 is a rear elevational view of the chair;

FIG. 7 is a bottom plan view of the chair;

FIG. 8 is a view showing a modification of the chair shown in FIGS. 1-6; and

FIG. 9 is a view showing another modification of the chair shown in FIGS. 1-6.



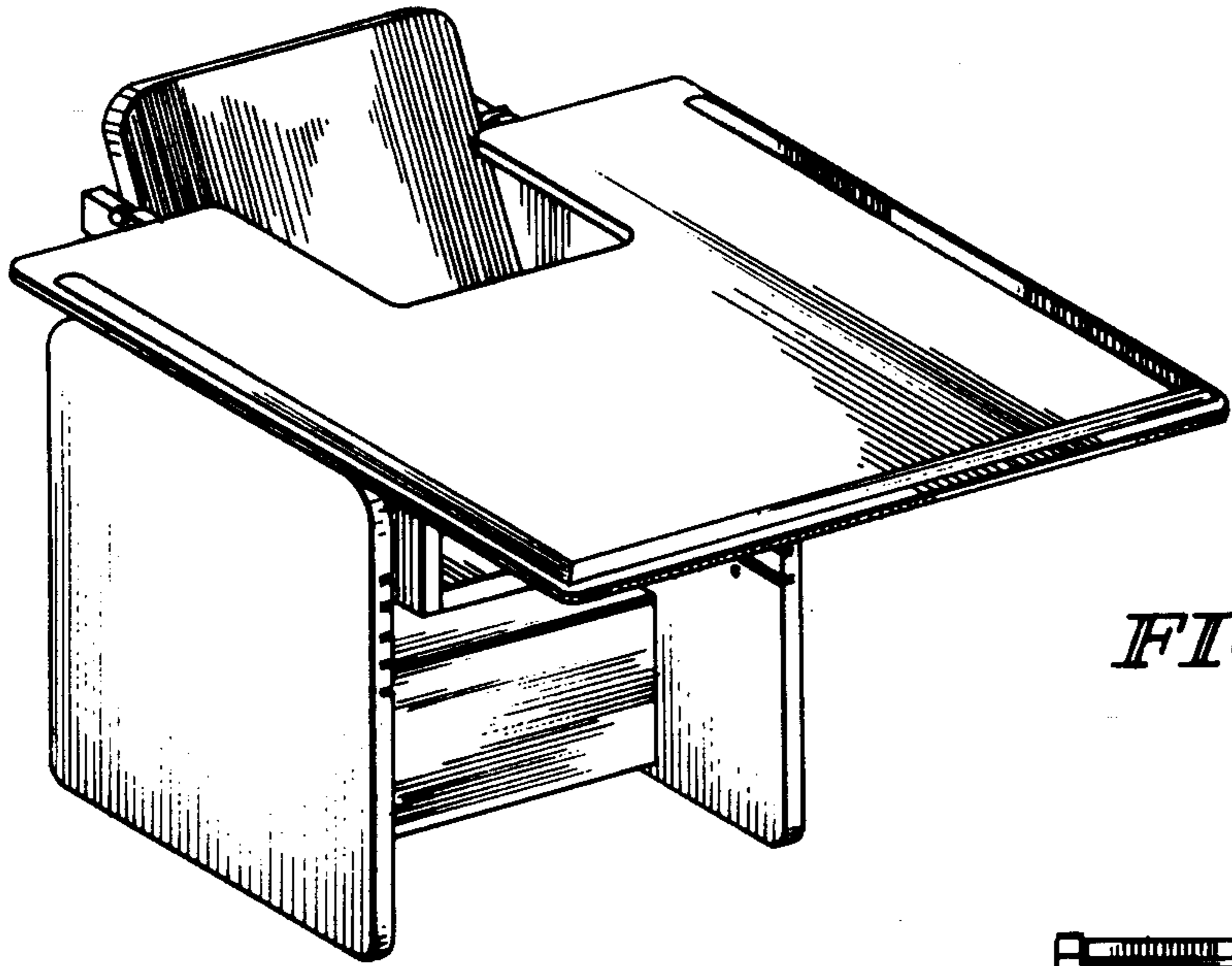


FIG. 1

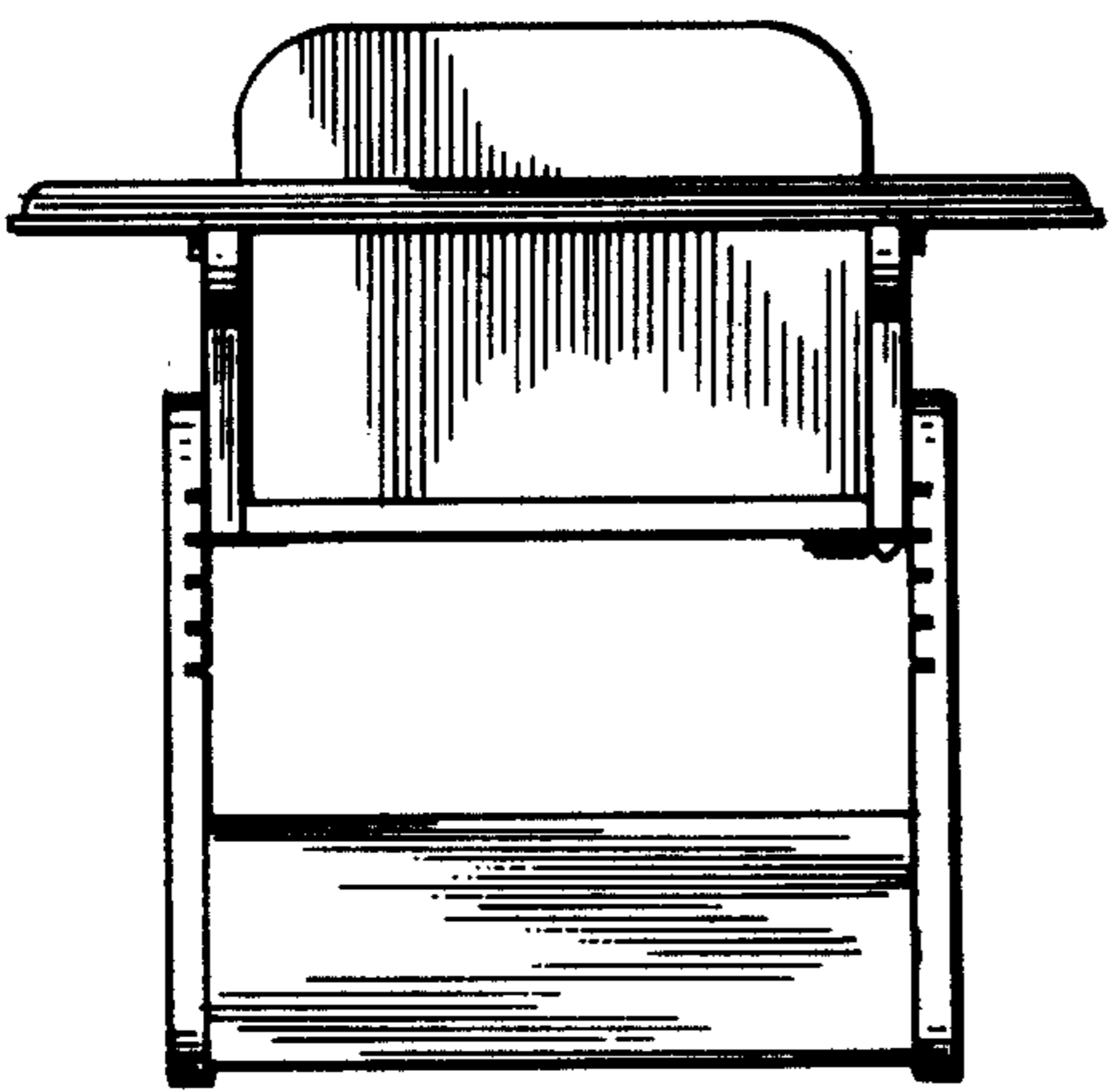


FIG. 2

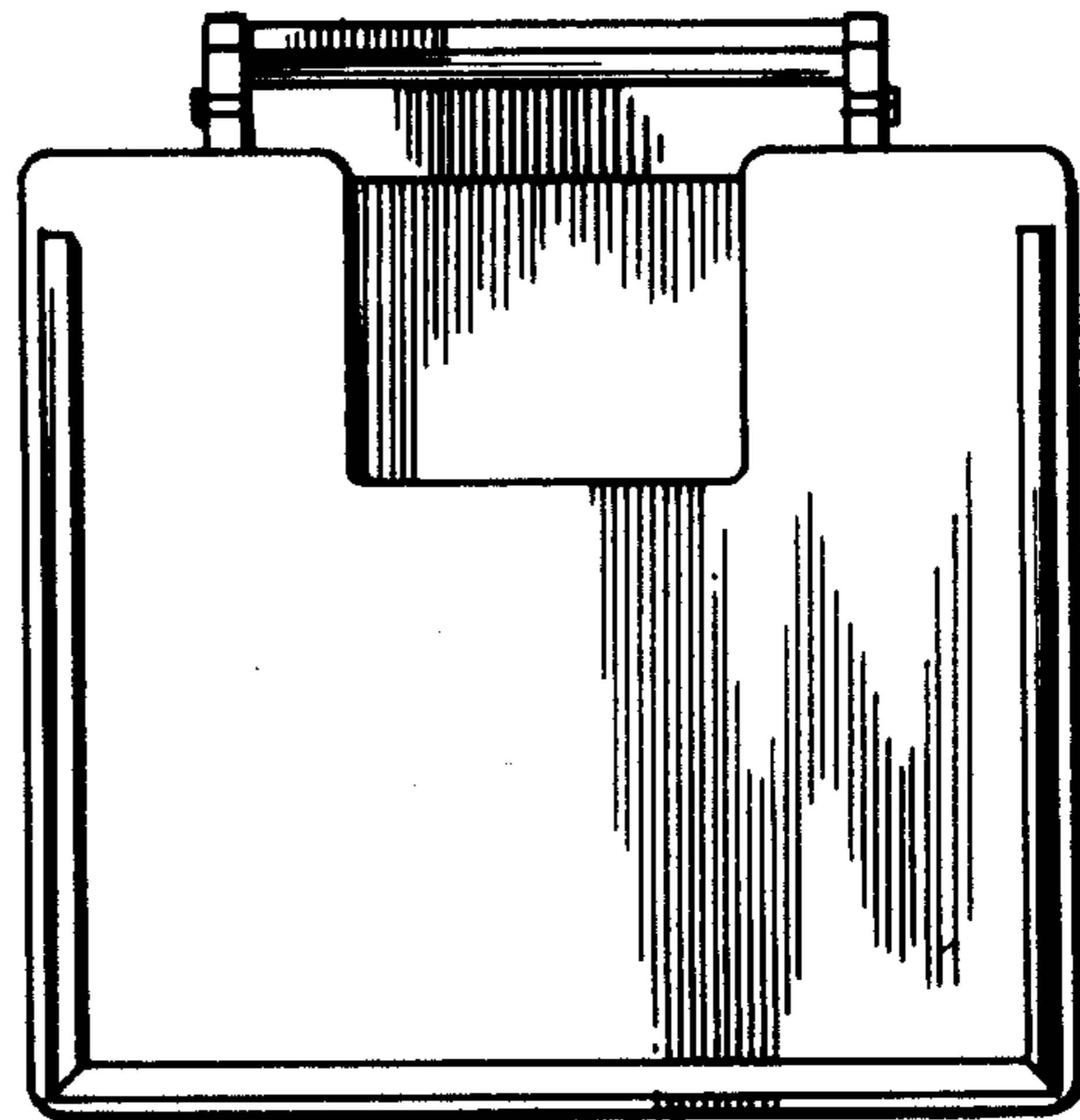


FIG. 3

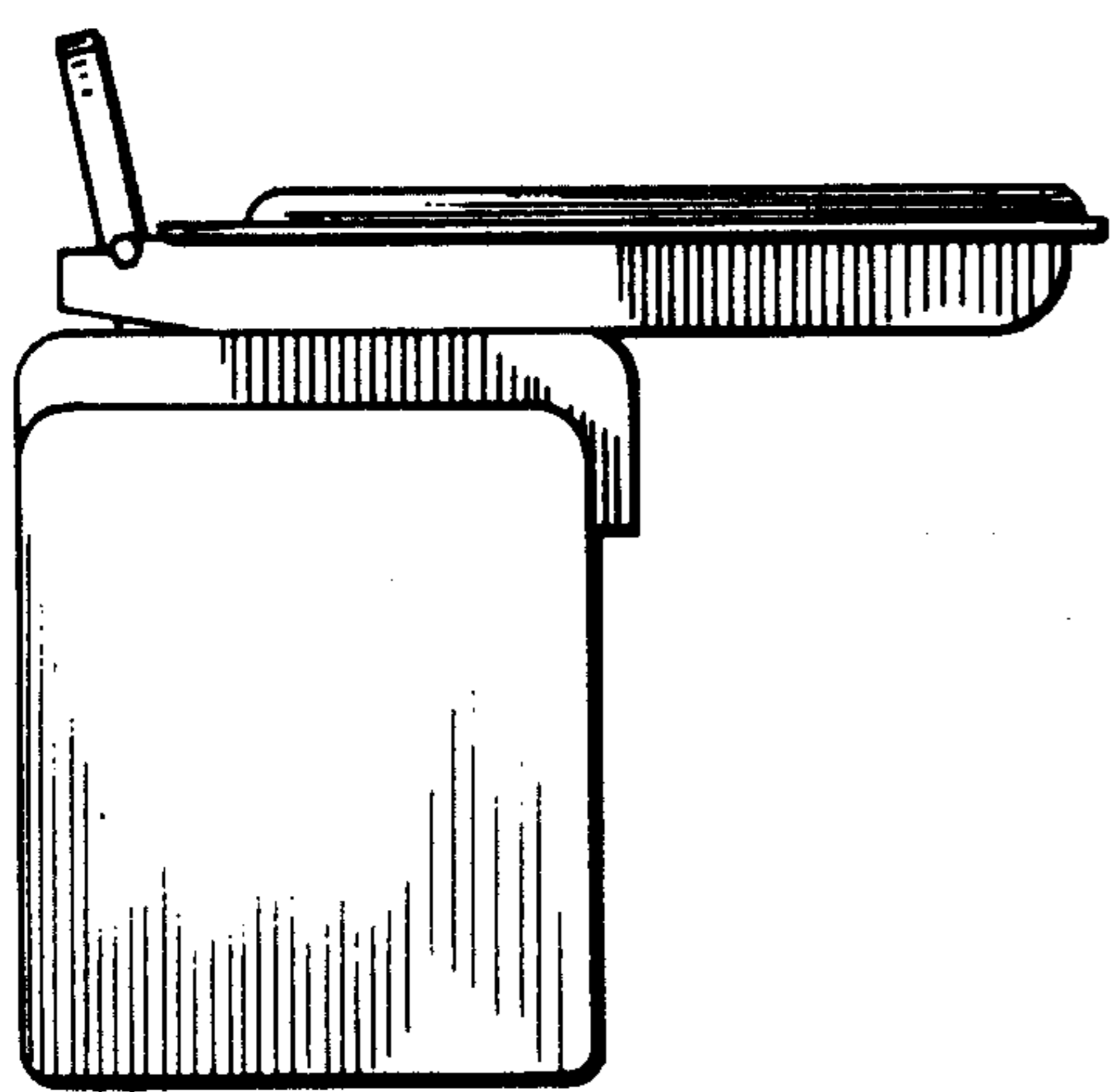


FIG. 4

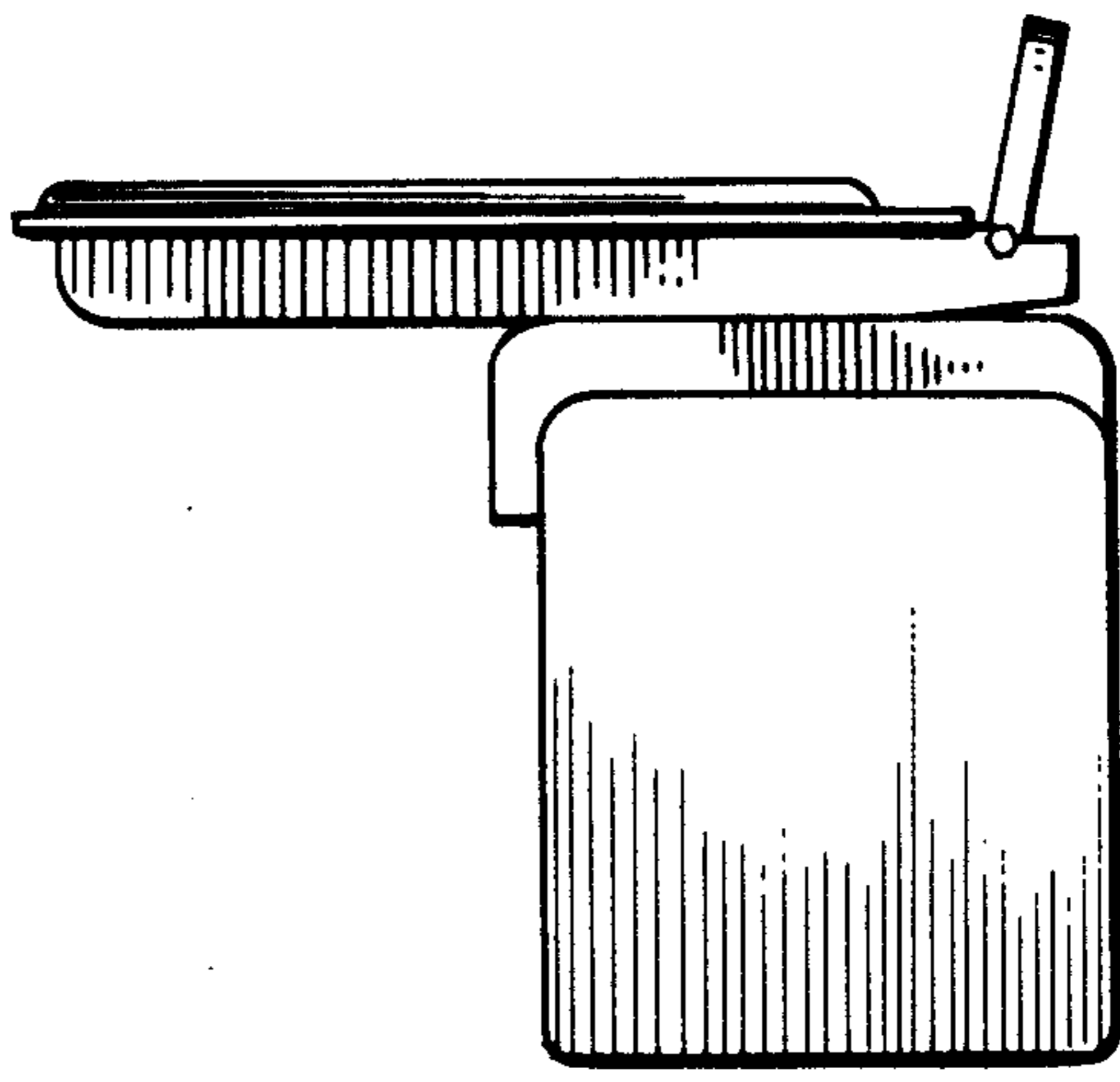


FIG. 5

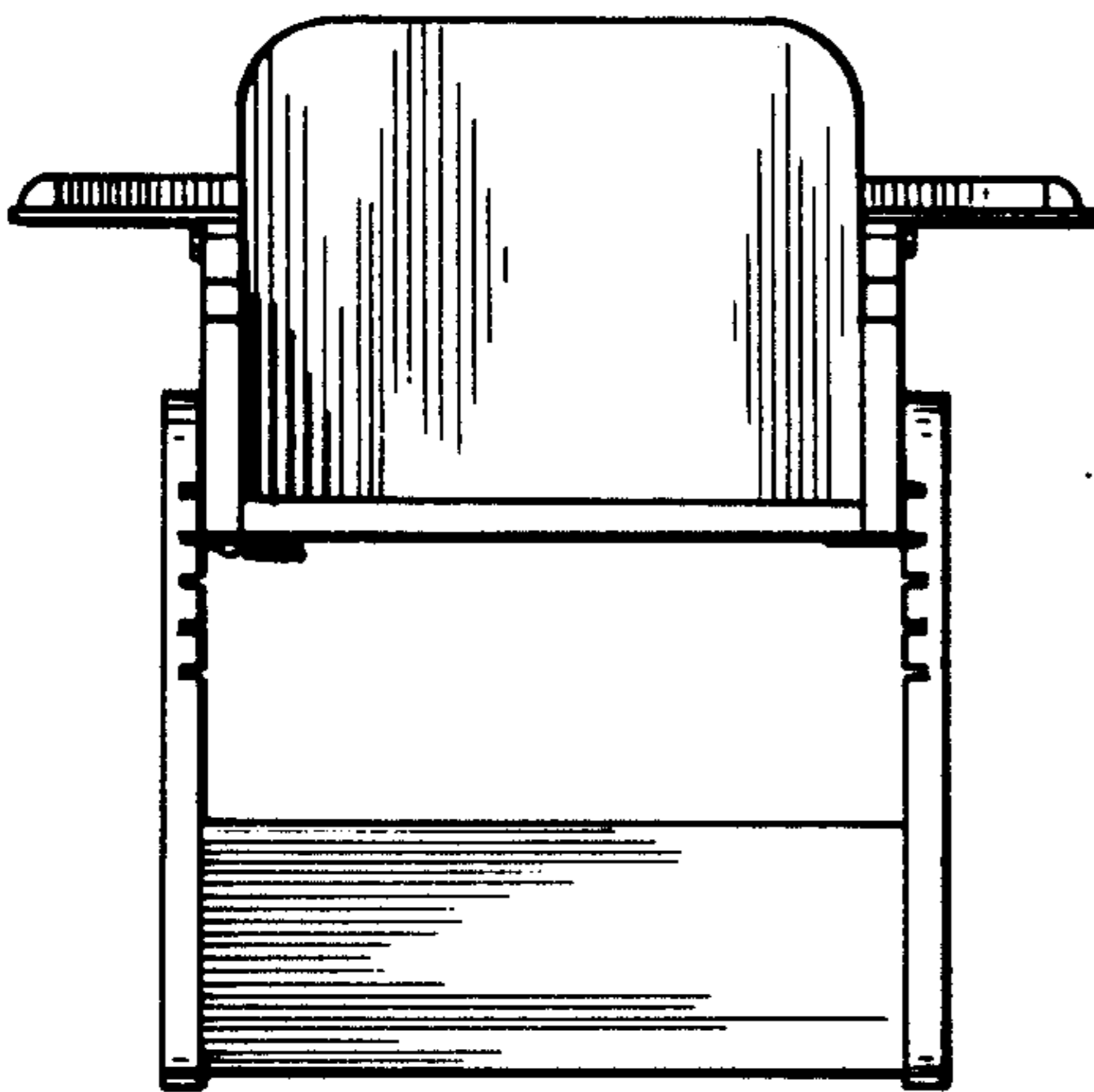


FIG. 6

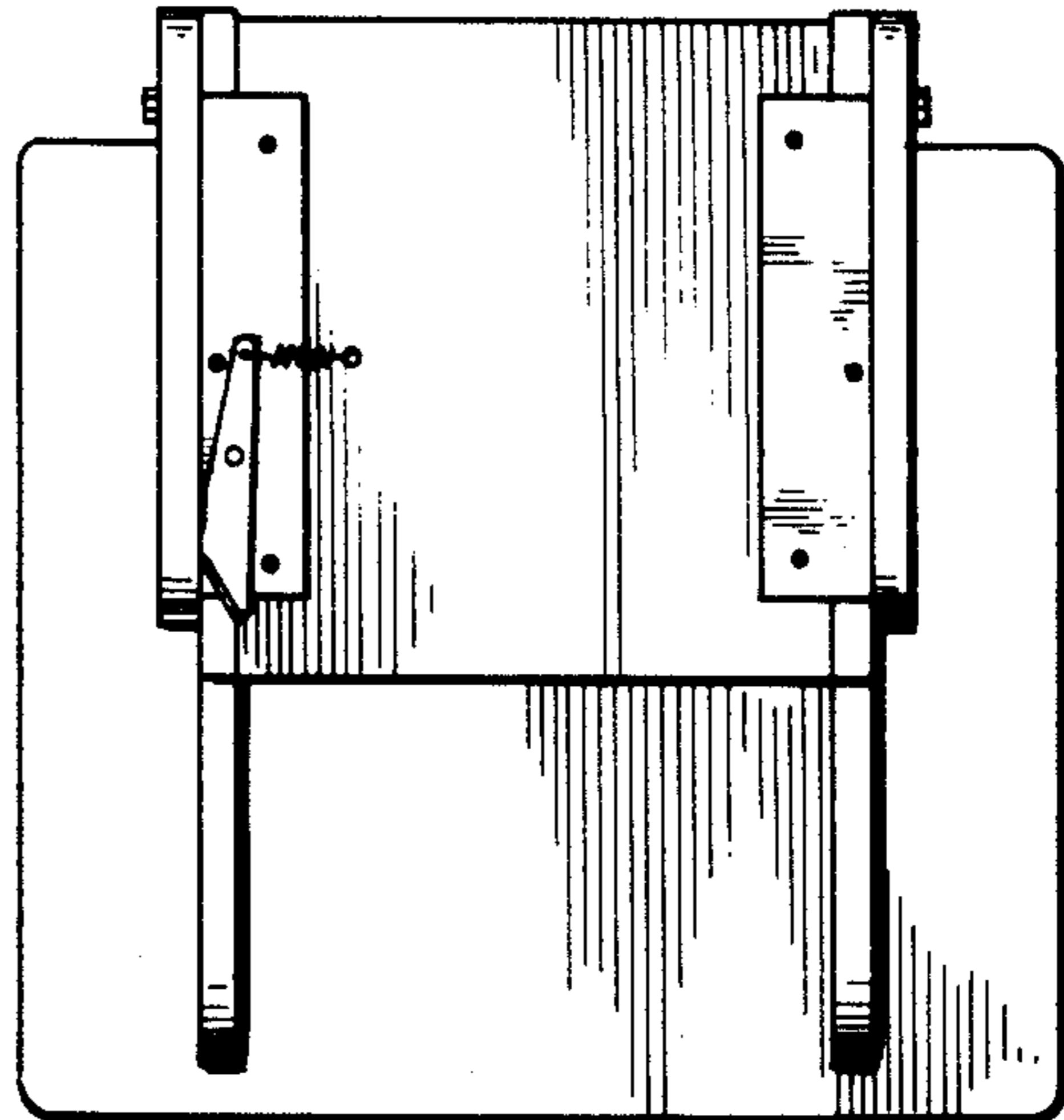


FIG. 7

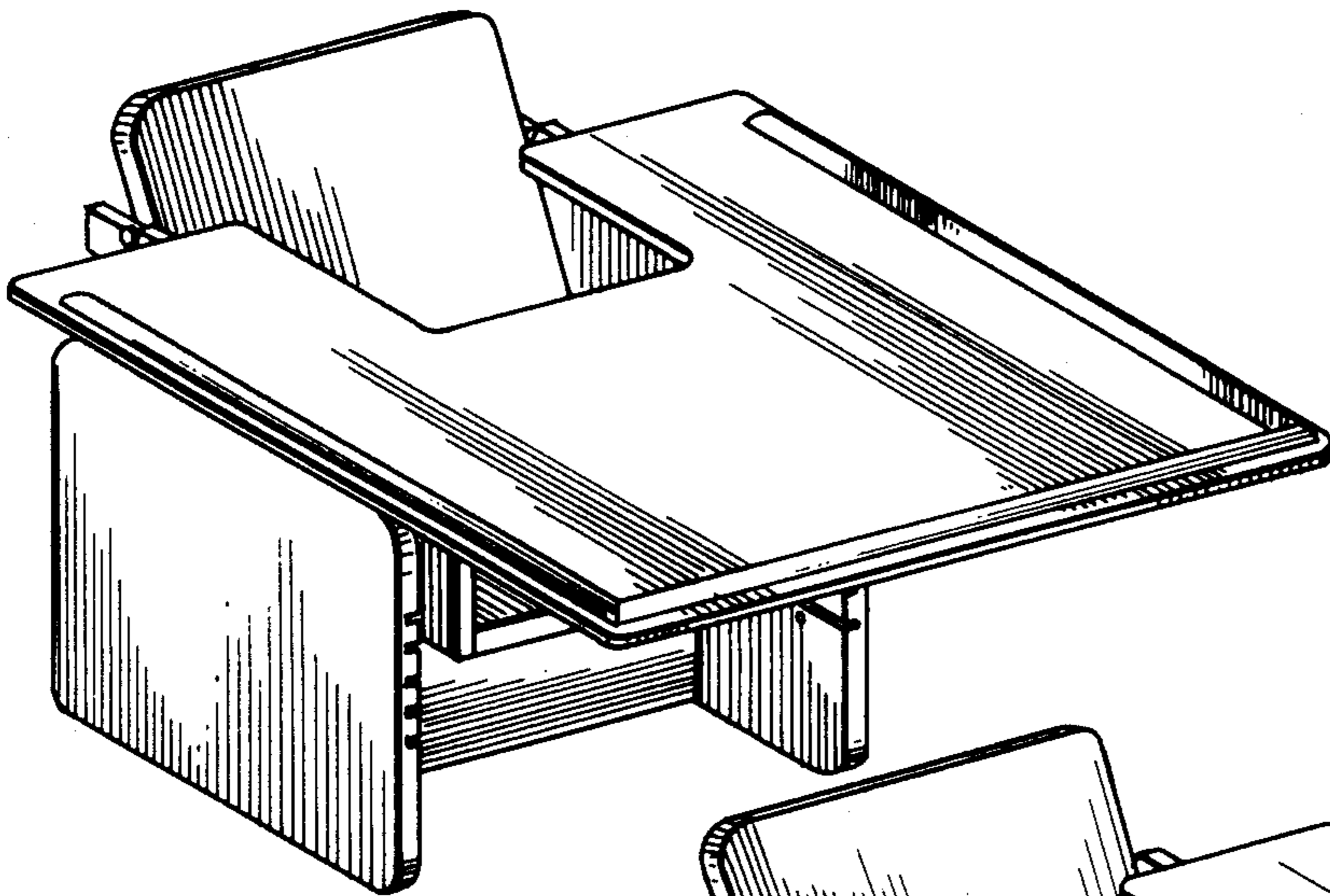


FIG. 8

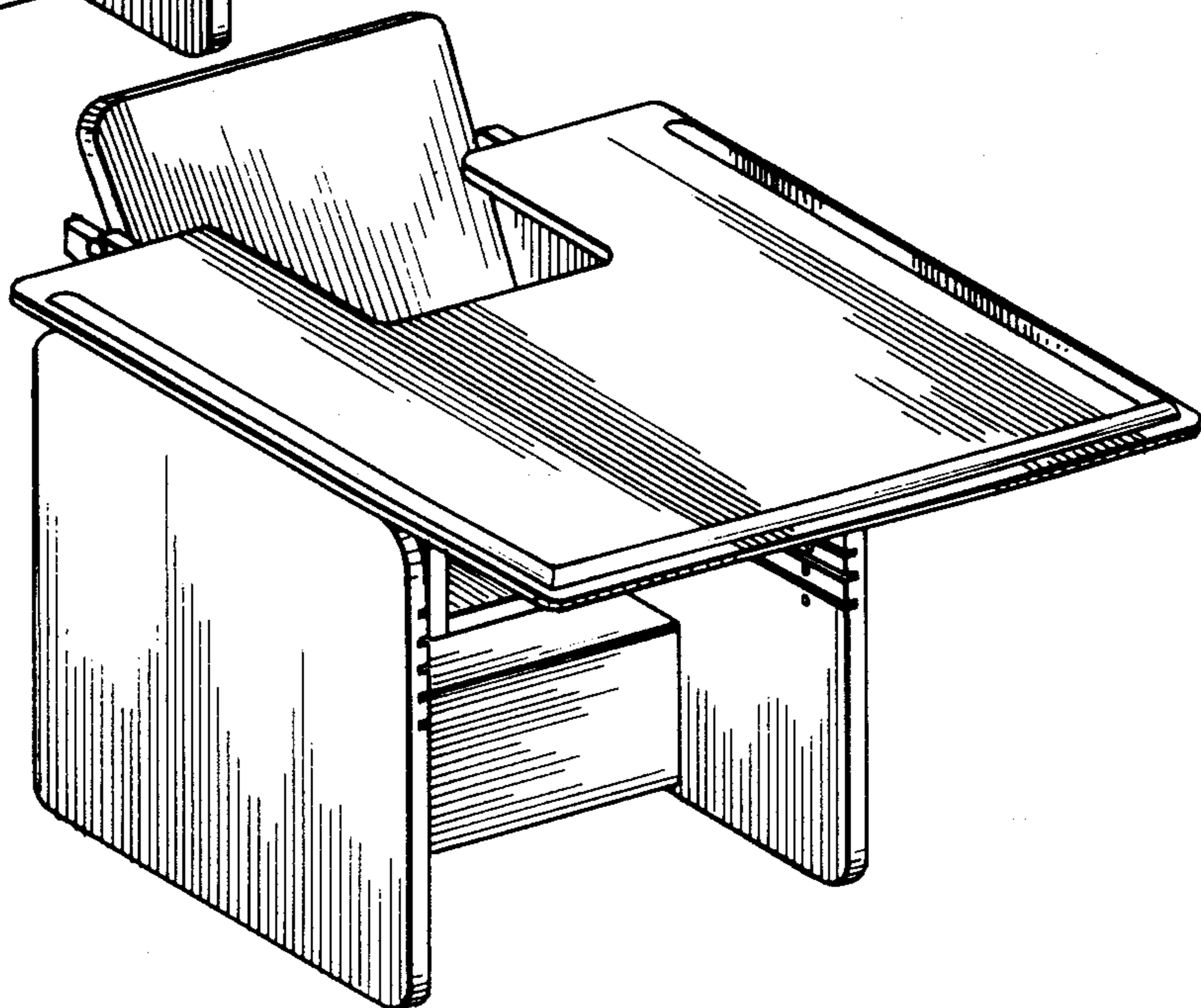


FIG. 9