

[54] FISHING REEL

[75] Inventor: Yasomatsu Morishita, Kure, Japan

[73] Assignee: Ryobi Ltd., Fuchu, Japan

[**] Term: 14 Years

[21] Appl. No.: 868,143

[22] Filed: Jan. 9, 1978

[30] Foreign Application Priority Data

Aug. 20, 1977 [JP] Japan 52-33064

[51] Int. Cl. D22-05

[52] U.S. Cl. D22/25

[58] Field of Search D22/25, 26; 242/84.1 R, 242/84.1 J, 84.2 R-84.2 H, 84.21 A, 84.21 R

[56] References Cited

U.S. PATENT DOCUMENTS

D. 170,389 9/1953 Shakespeare et al. D22/25

D. 191,114 8/1961 Sparks et al. D22/25

D. 193,788	10/1962	Wood	D22/25
D. 206,885	2/1967	Jaggart et al.	D22/25
D. 213,621	3/1969	Yelte, Jr.	D22/25
D. 246,662	12/1977	Okada	D22/25
3,329,373	7/1967	Wood, Jr.	D22/25 X

Primary Examiner—A. Hugo Word
Attorney, Agent, or Firm—Sughrue, Rothwell, Mion, Zinn and Macpeak

[57] CLAIM

The ornamental design for a fishing reel, as shown.

DESCRIPTION

FIG. 1 is a front, bottom and right side perspective view of a fishing reel showing my new design;

FIG. 2 is a top, rear and left side perspective view thereof;

FIG. 3 is a front view thereof;

FIG. 4 is a rear view thereof;

FIG. 5 is a right side view thereof;

FIG. 6 is a left side view thereof;

FIG. 7 is a top plan view thereof; and

FIG. 8 is a bottom plan view thereof.

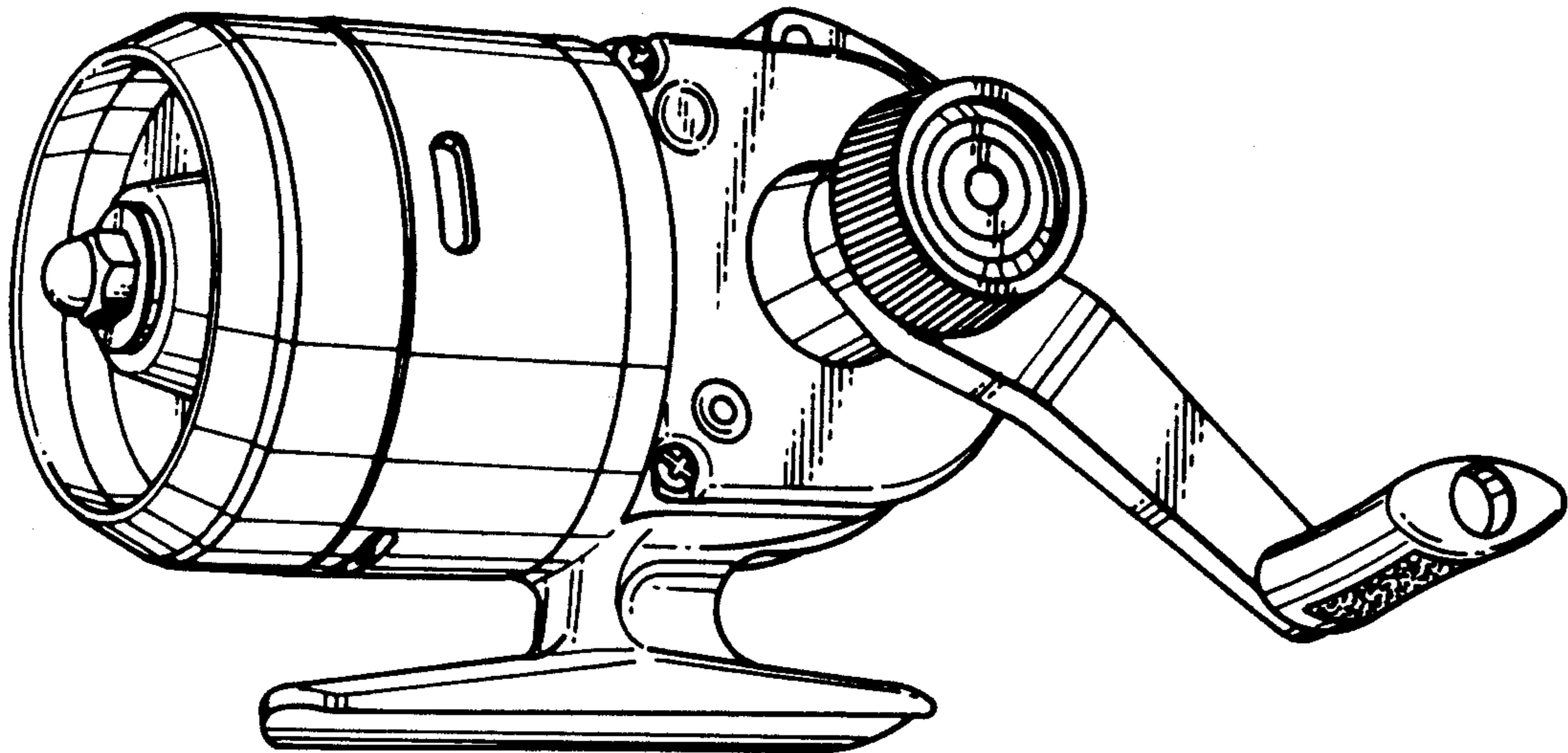


Fig. 1

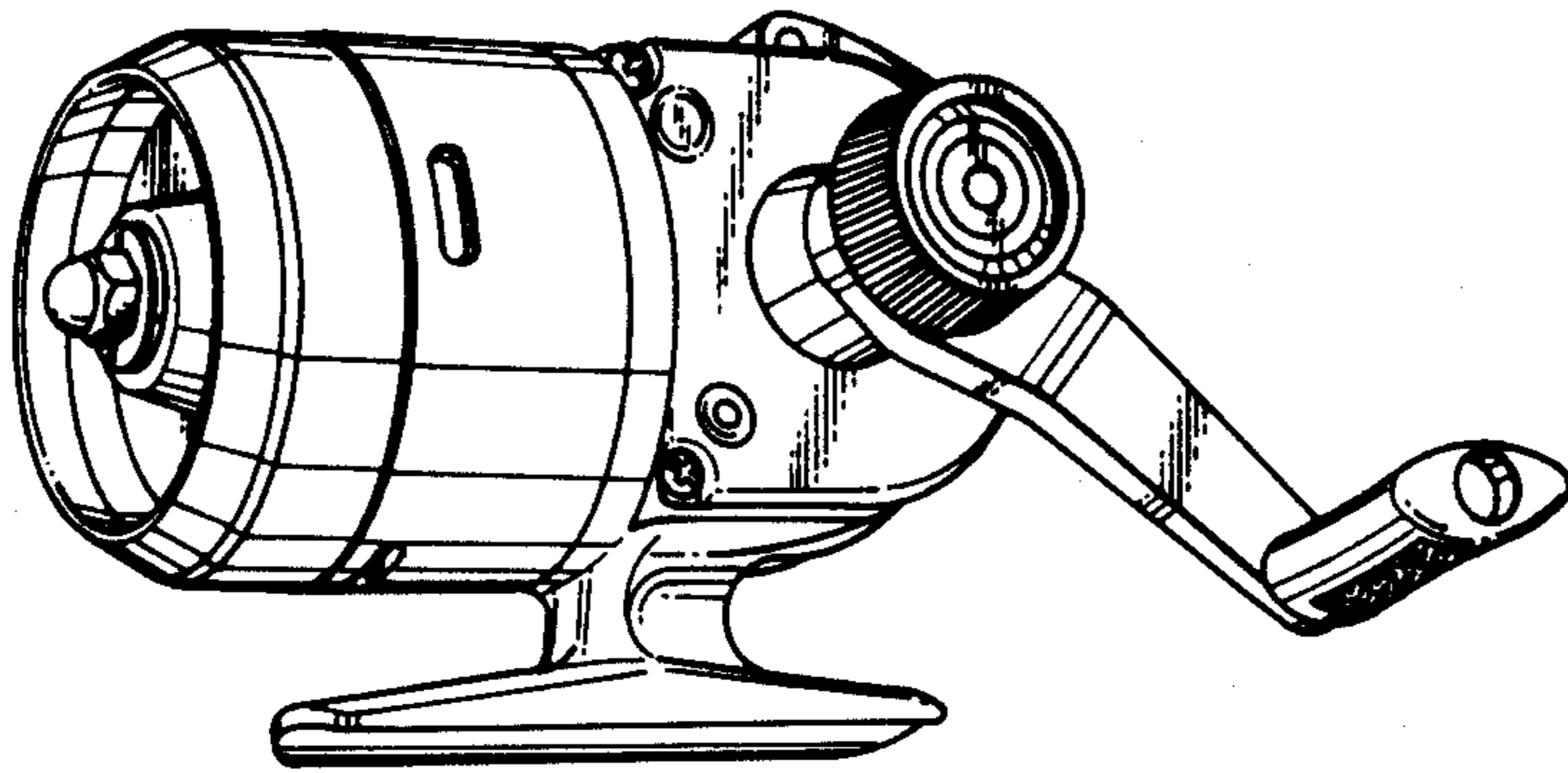


Fig. 2

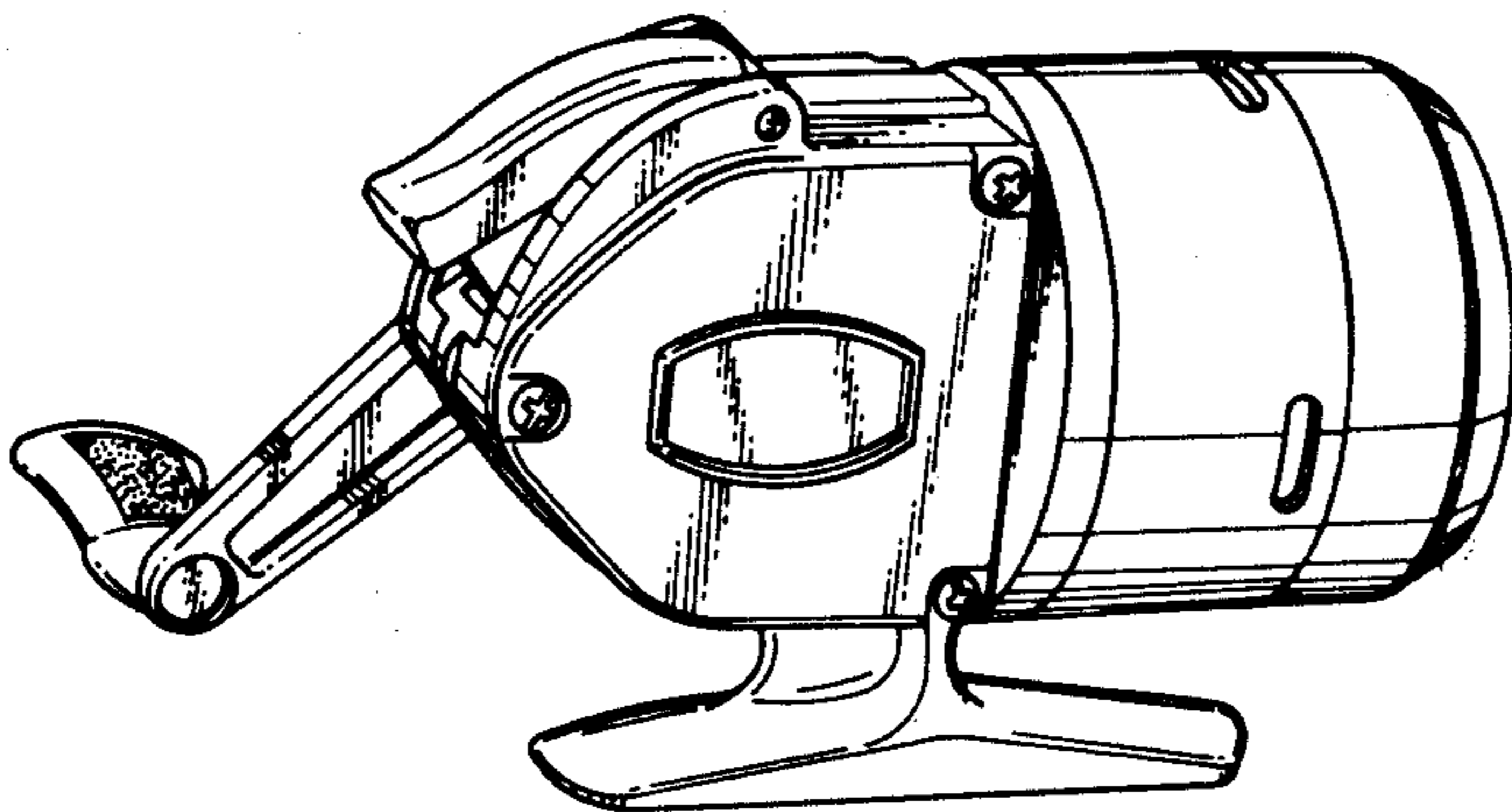


Fig. 3

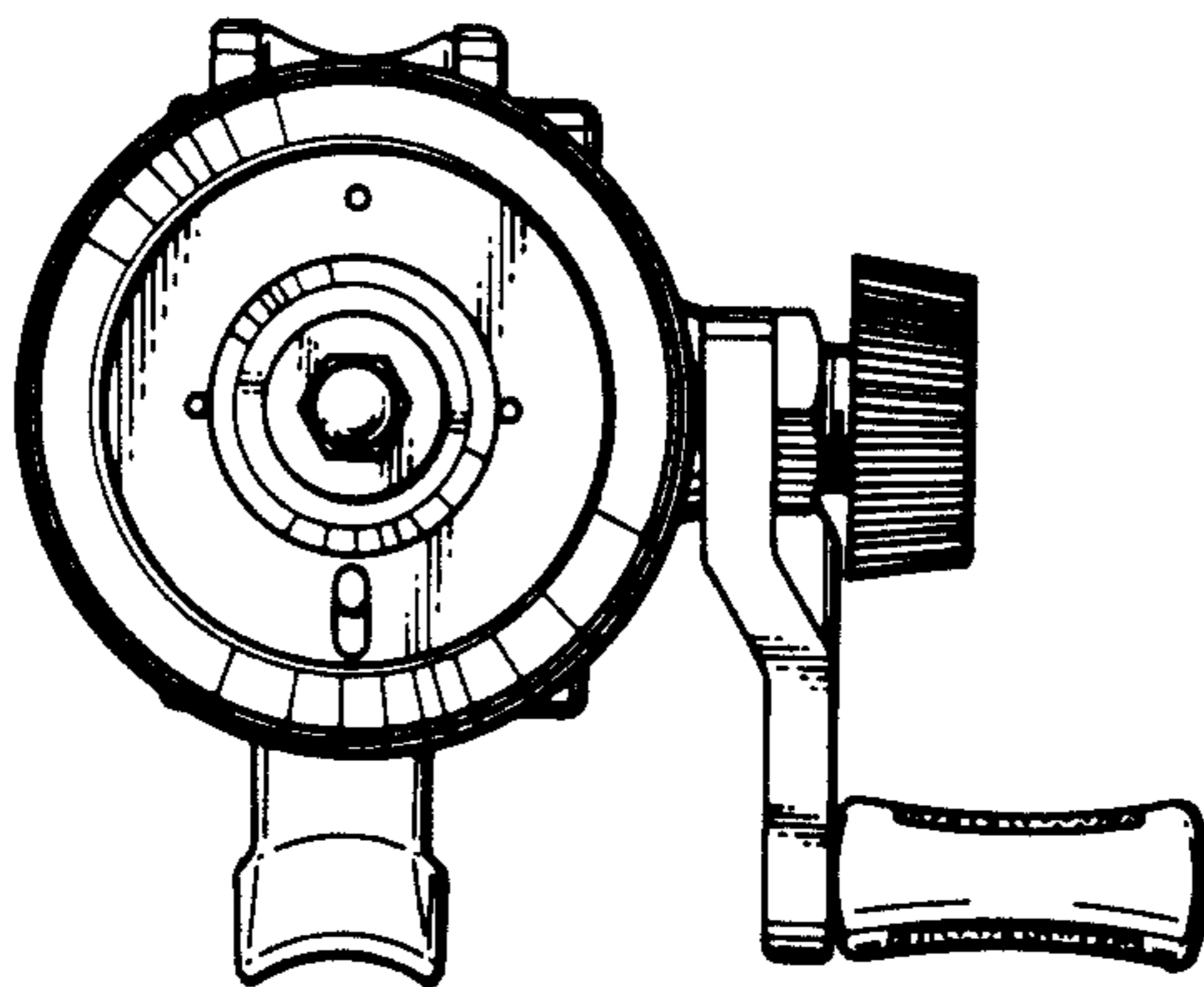


Fig. 4

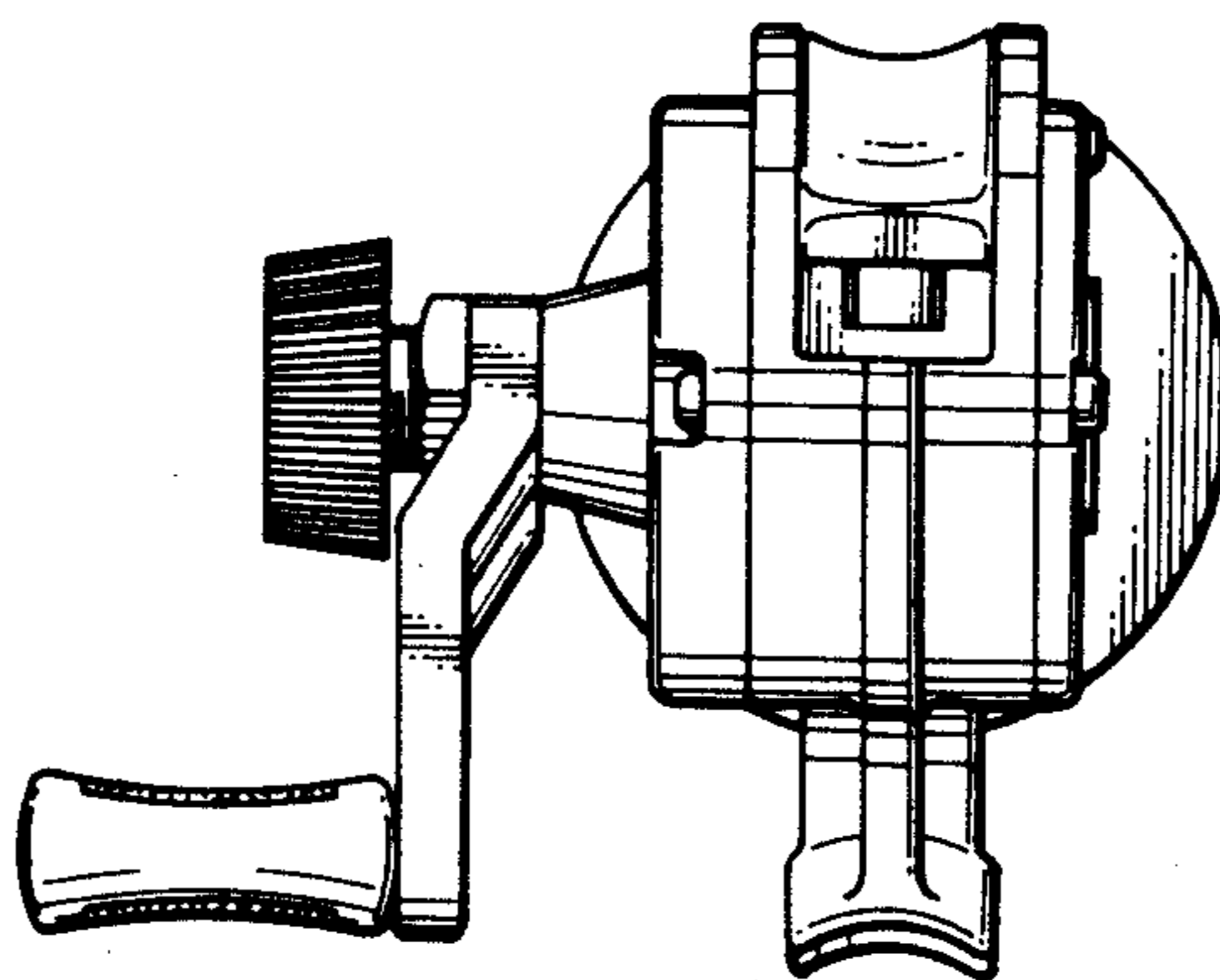


Fig. 5

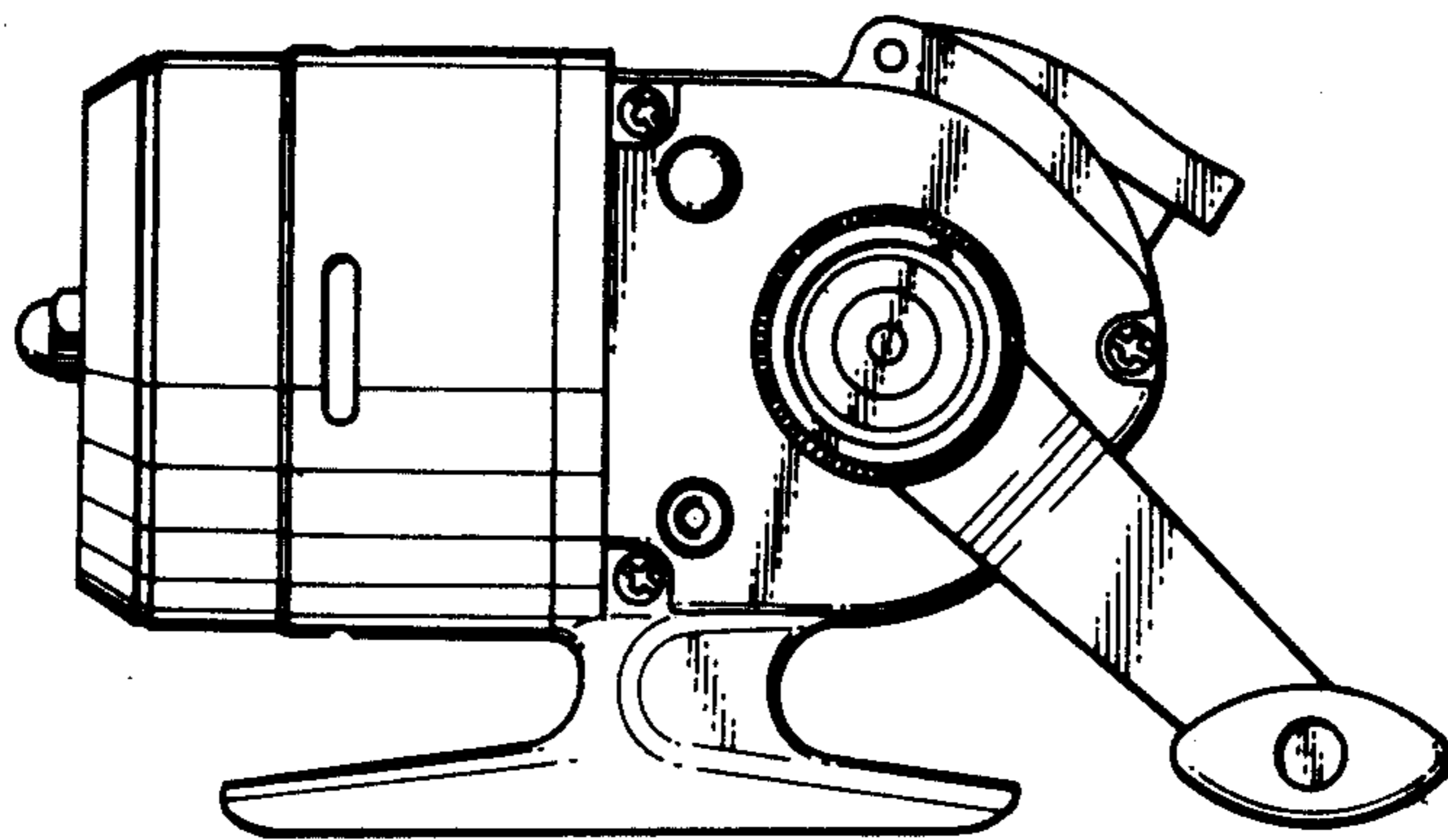


Fig. 6

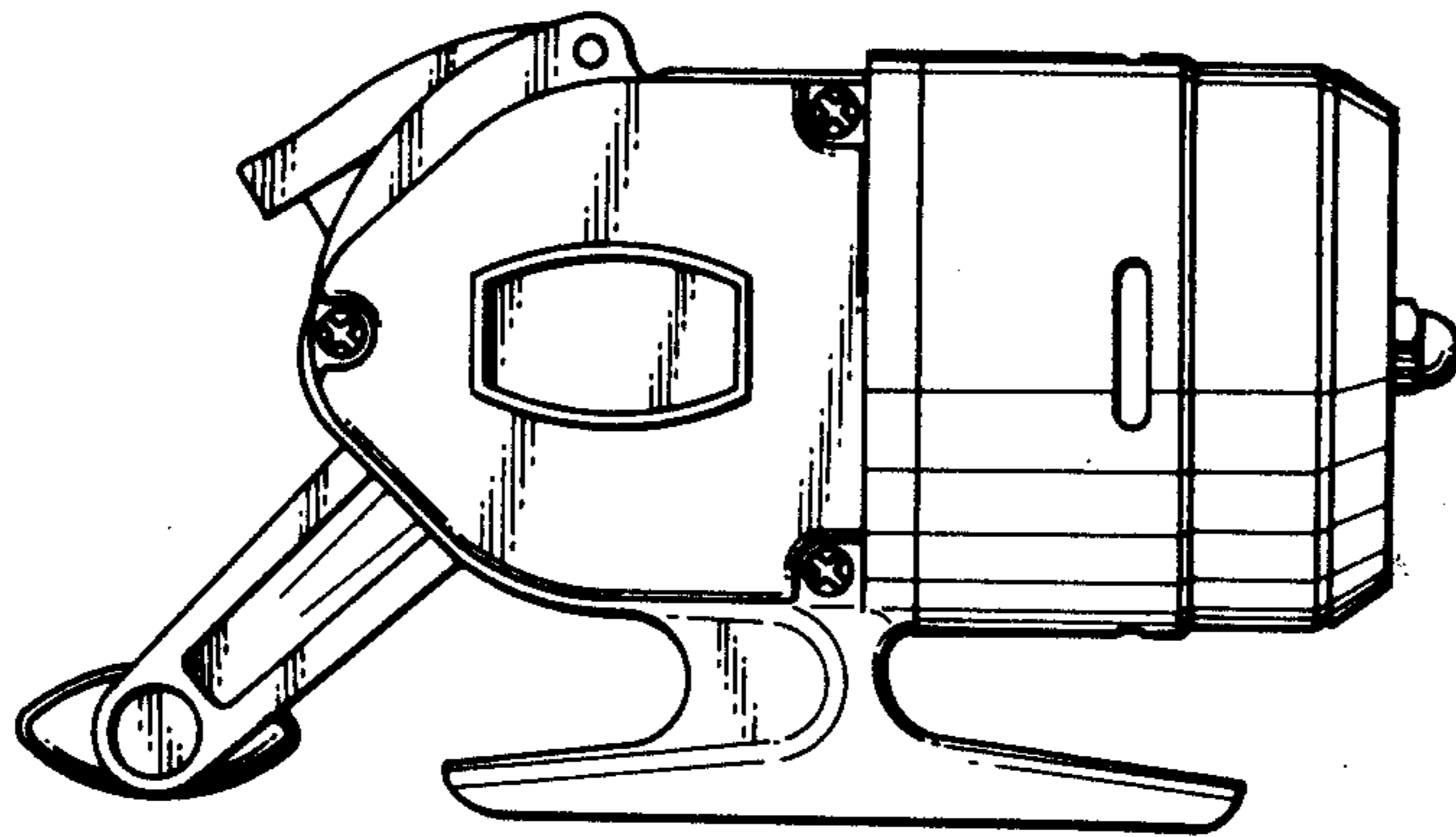


Fig. 7

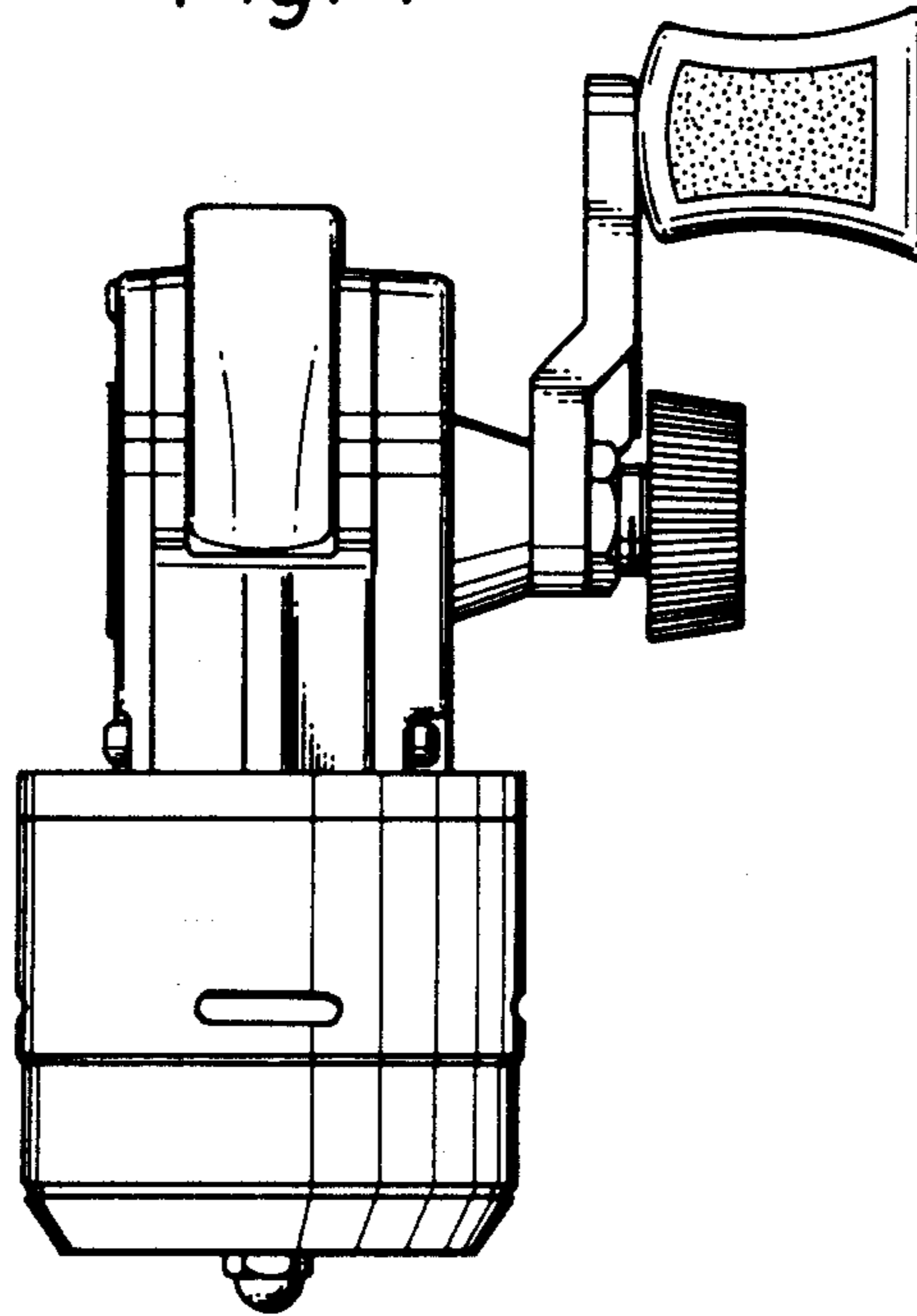


Fig. 8

