

[54] COMBINED POWER STAPLER AND DESK STAPLER UNIT

[75] Inventors: **George F. Villwock; Conrad R. Medina**, both of Rolling Meadows, Ill.

[73] Assignee: **Swingline, Inc.**, Long Island City, N.Y.

[**] Term: **14 Years**

[21] Appl. No.: **752,813**

[22] Filed: **Dec. 20, 1976**

[51] Int. Cl. **D18-04**

[52] U.S. Cl. **D18/34; D8/50**

[58] Field of Search **D8/49-50; D6/167-170; 227/154-155; D15/127-128, 122; D18/34**

[56] **References Cited**

U.S. PATENT DOCUMENTS

D. 158,221	4/1950	Sasser	D8/50
D. 174,462	4/1955	Olson	D8/50
D. 214,062	5/1969	Cabell	D6/170
D. 230,446	2/1974	Price	D6/167

Primary Examiner—Joel Stearman
Assistant Examiner—George P. Word
Attorney, Agent, or Firm—Pennie & Edmonds

[57] **CLAIM**

The ornamental design for a combined power stapler and desk stapler unit, substantially as shown and described.

DESCRIPTION

FIG. 1 is a perspective view of a combined power stapler and desk stapler unit showing our new design; FIG. 2 is a top plan view; FIG. 3 is a right side elevational view; FIG. 4 is a front elevational view; FIG. 5 is a left side elevational view; FIG. 6 is a rear elevational view; and FIG. 7 is a bottom plan view.

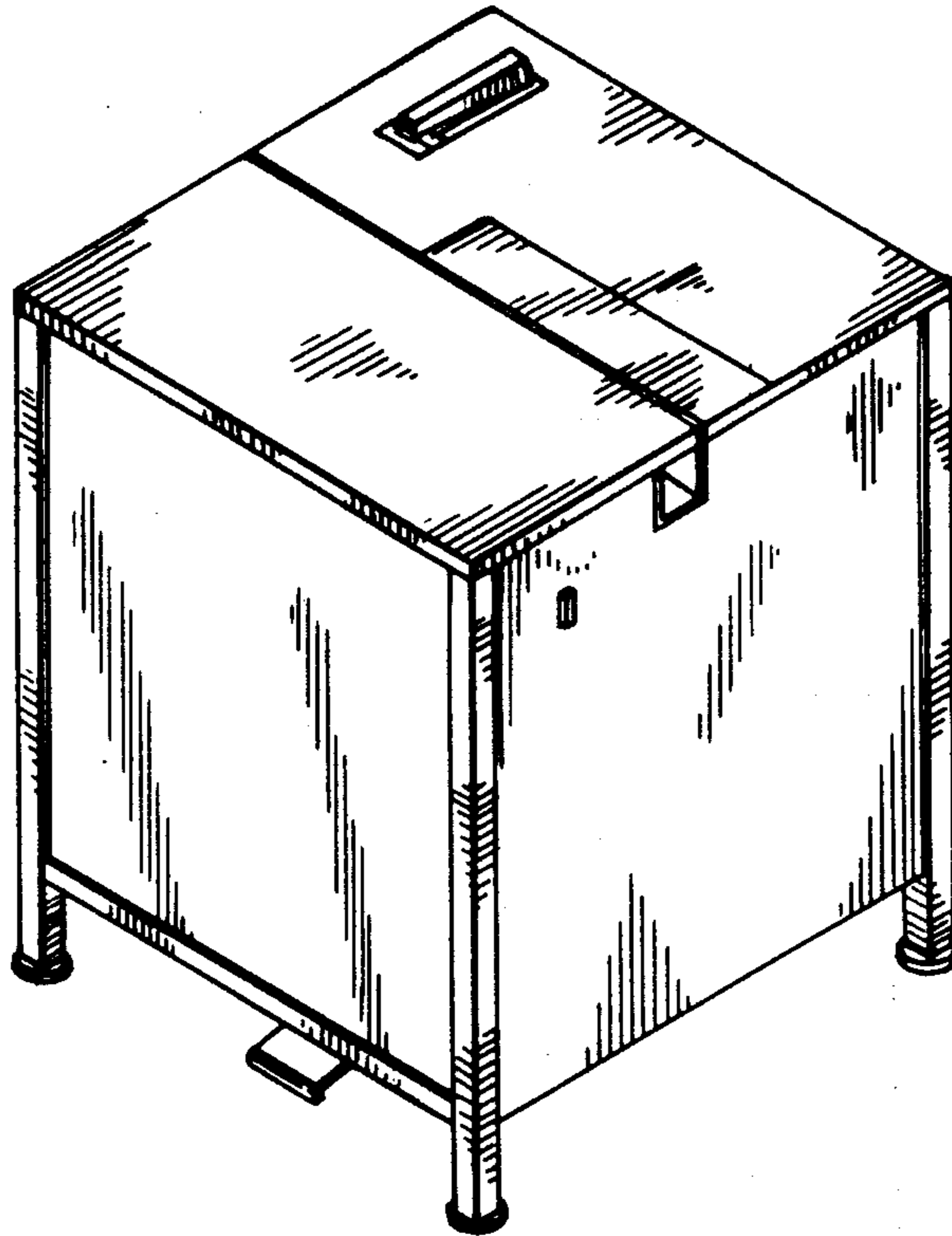


FIG. 1

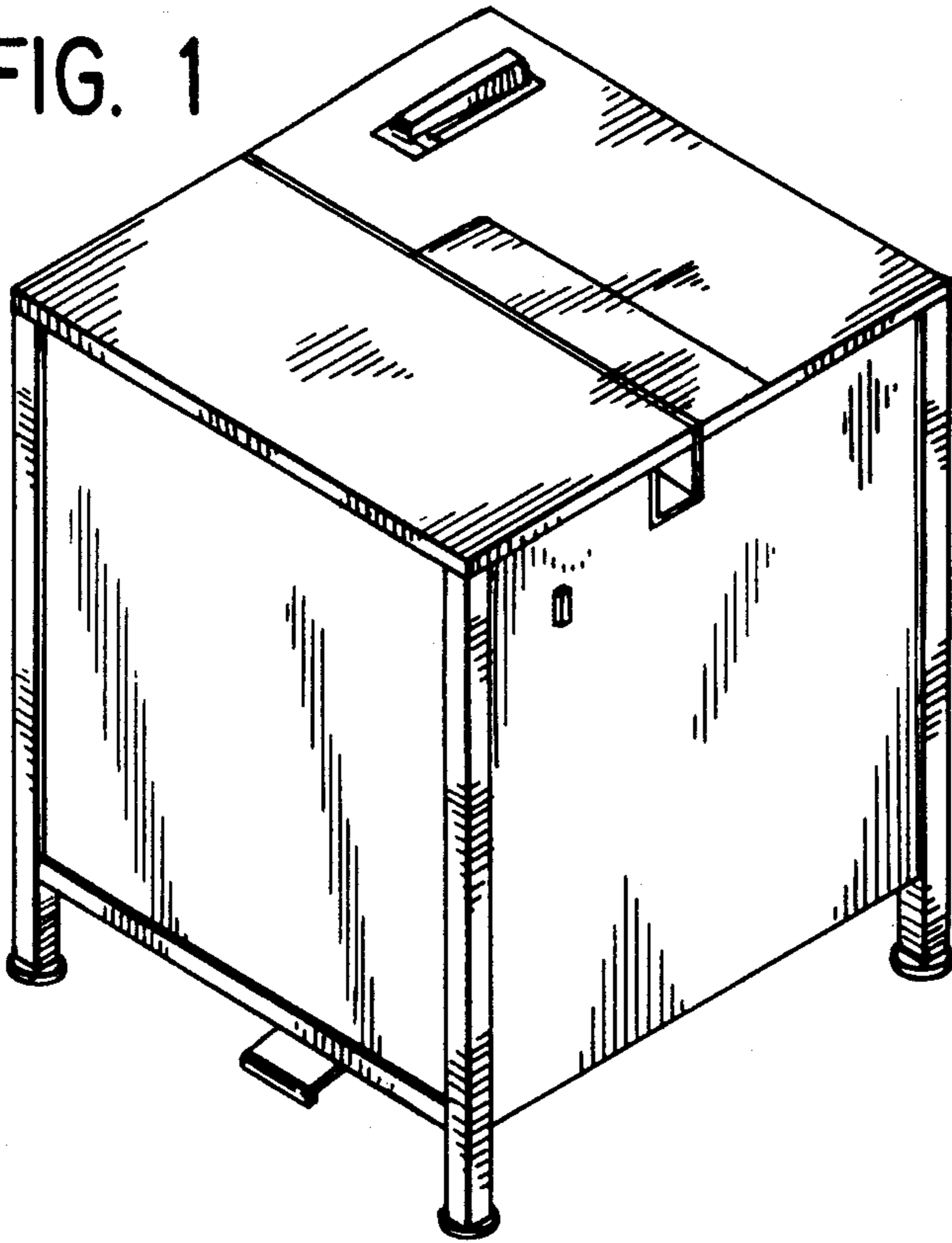


FIG. 2

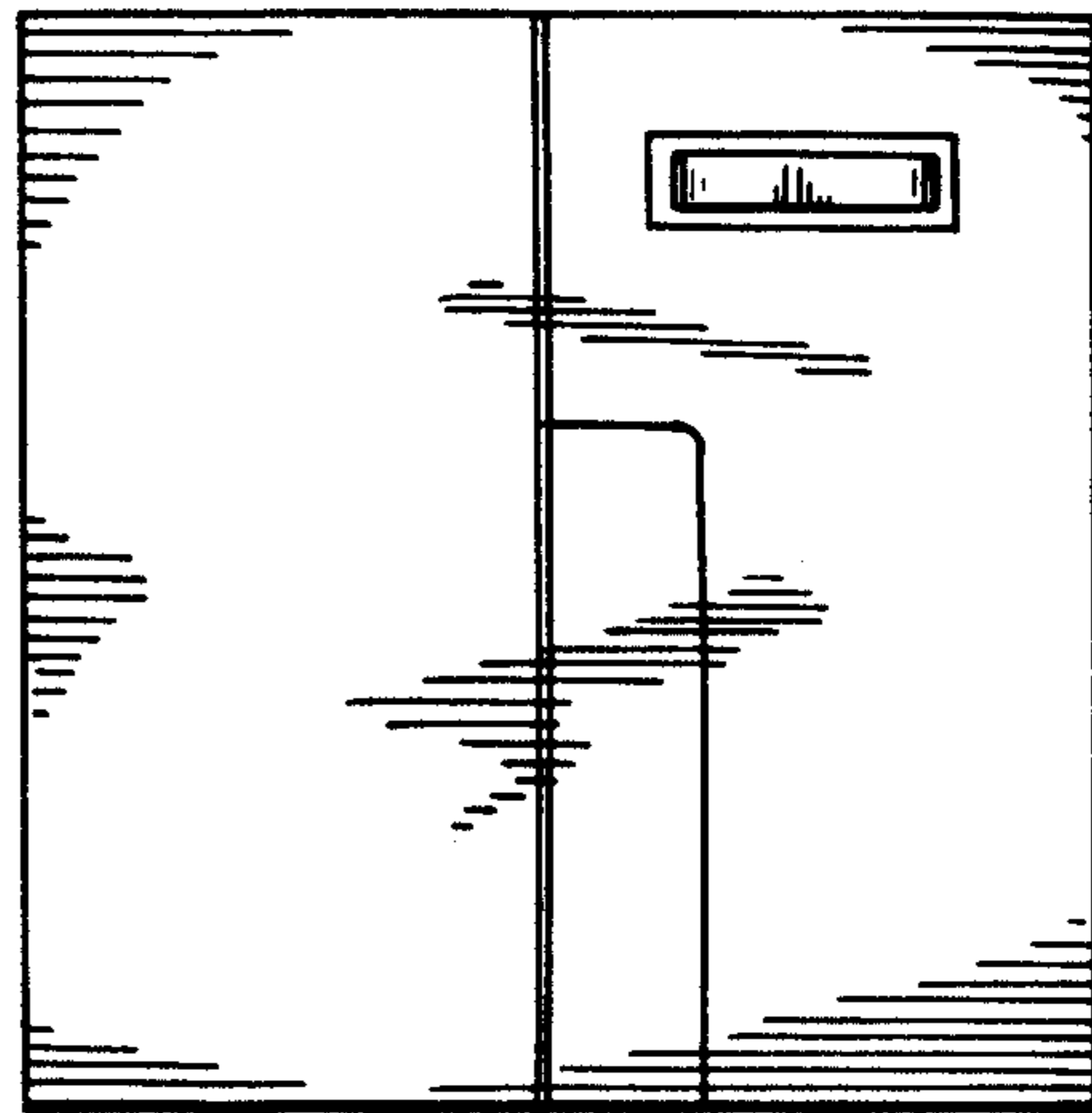


FIG. 4

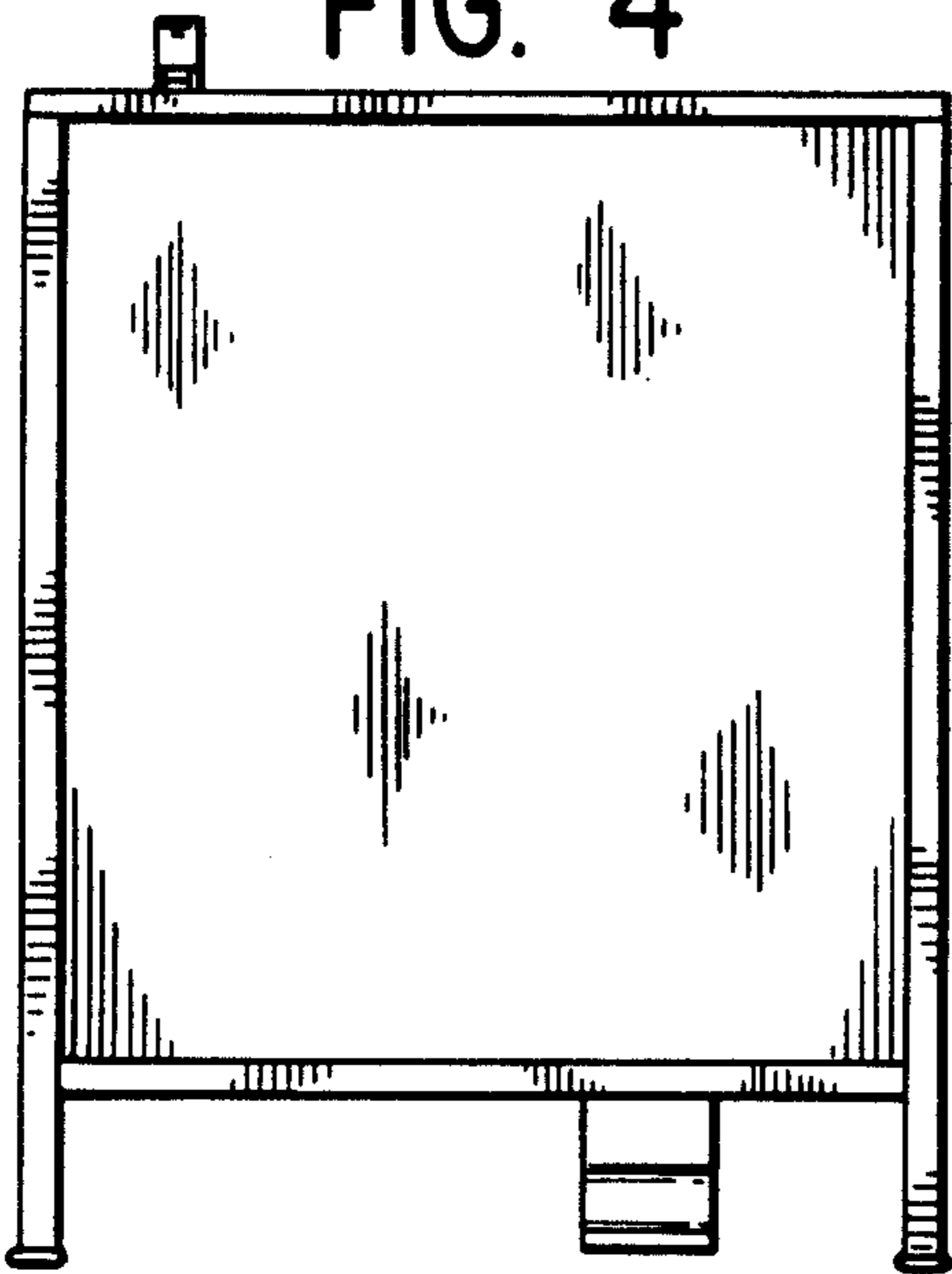


FIG. 3

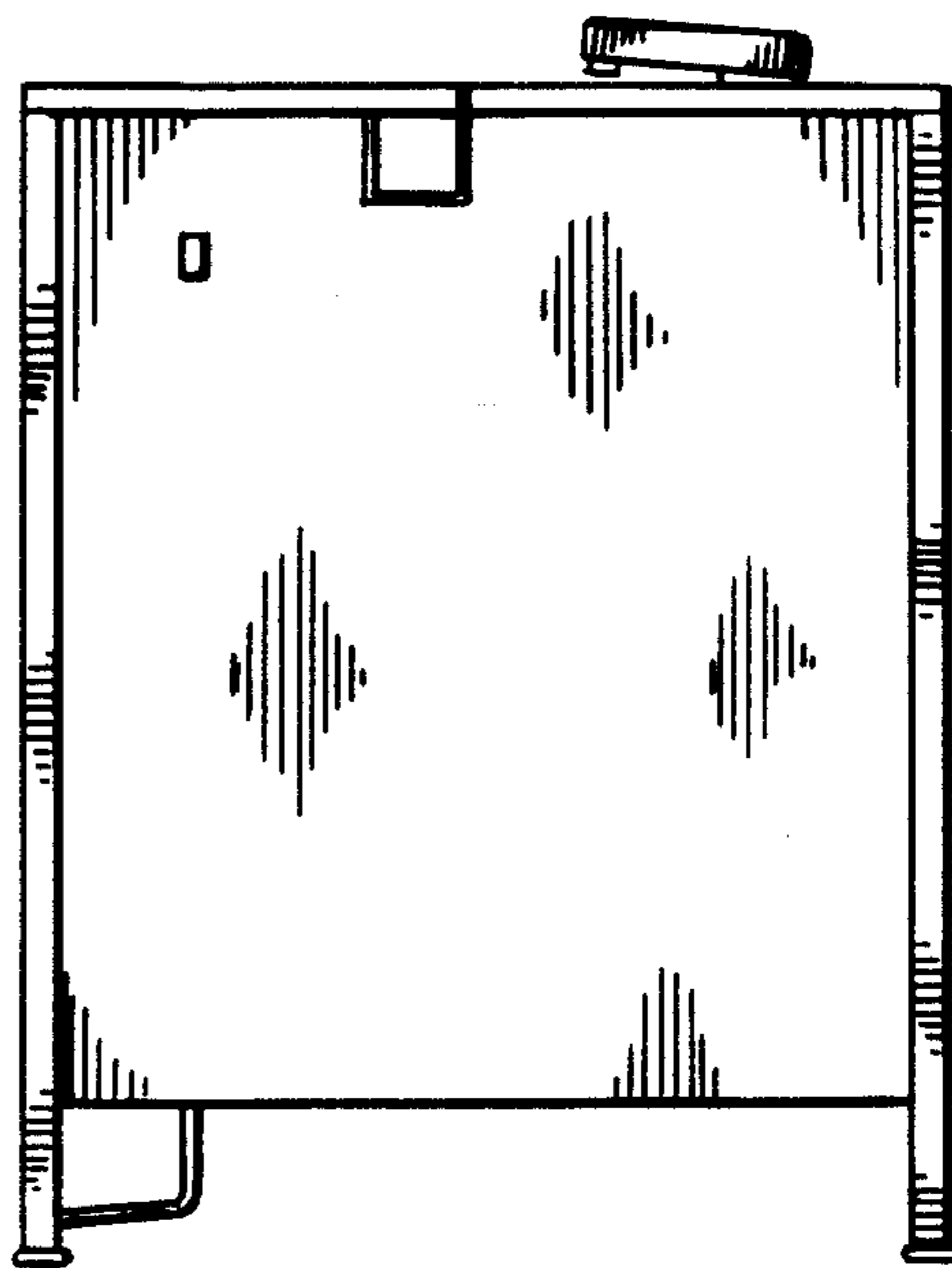


FIG. 5

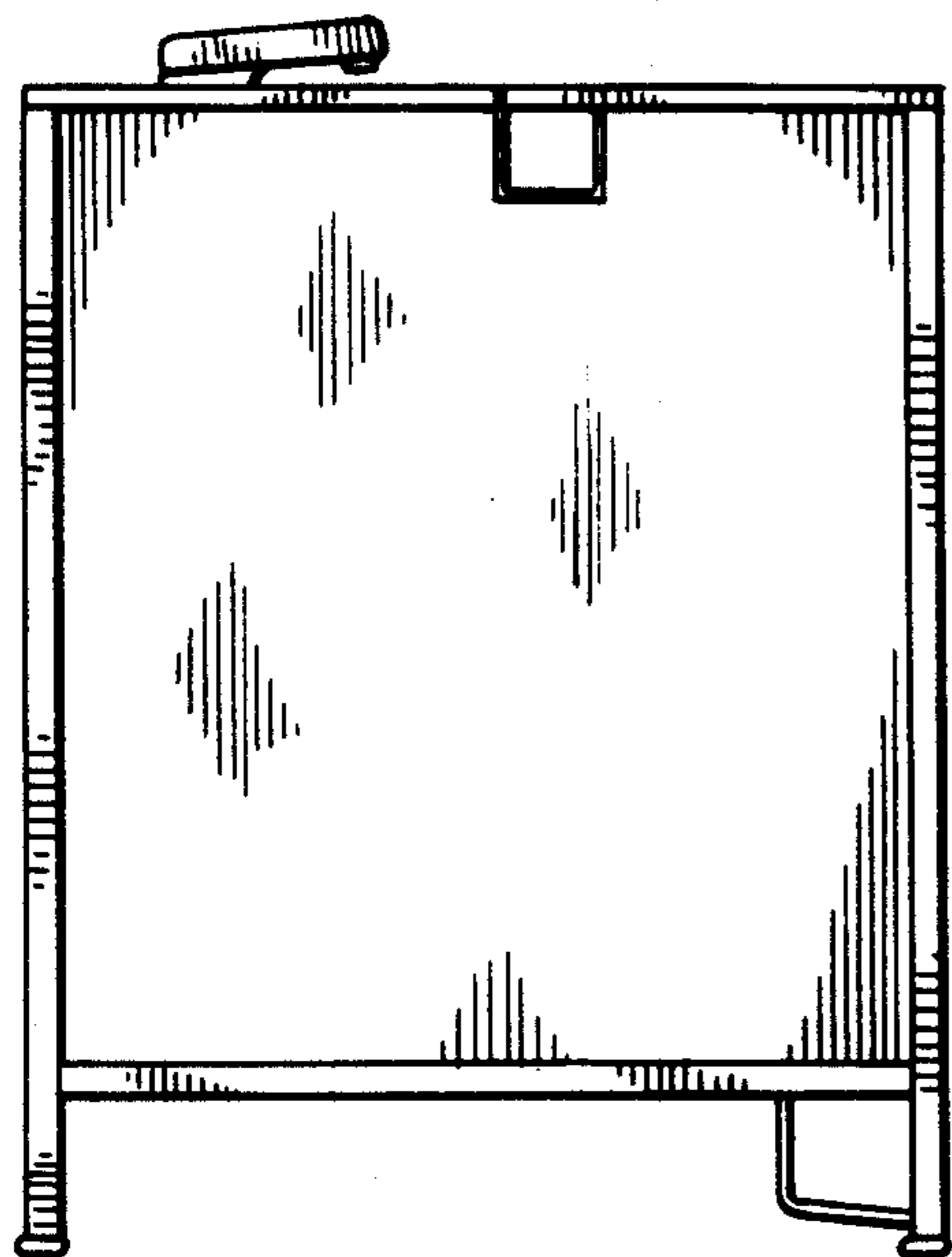


FIG. 6

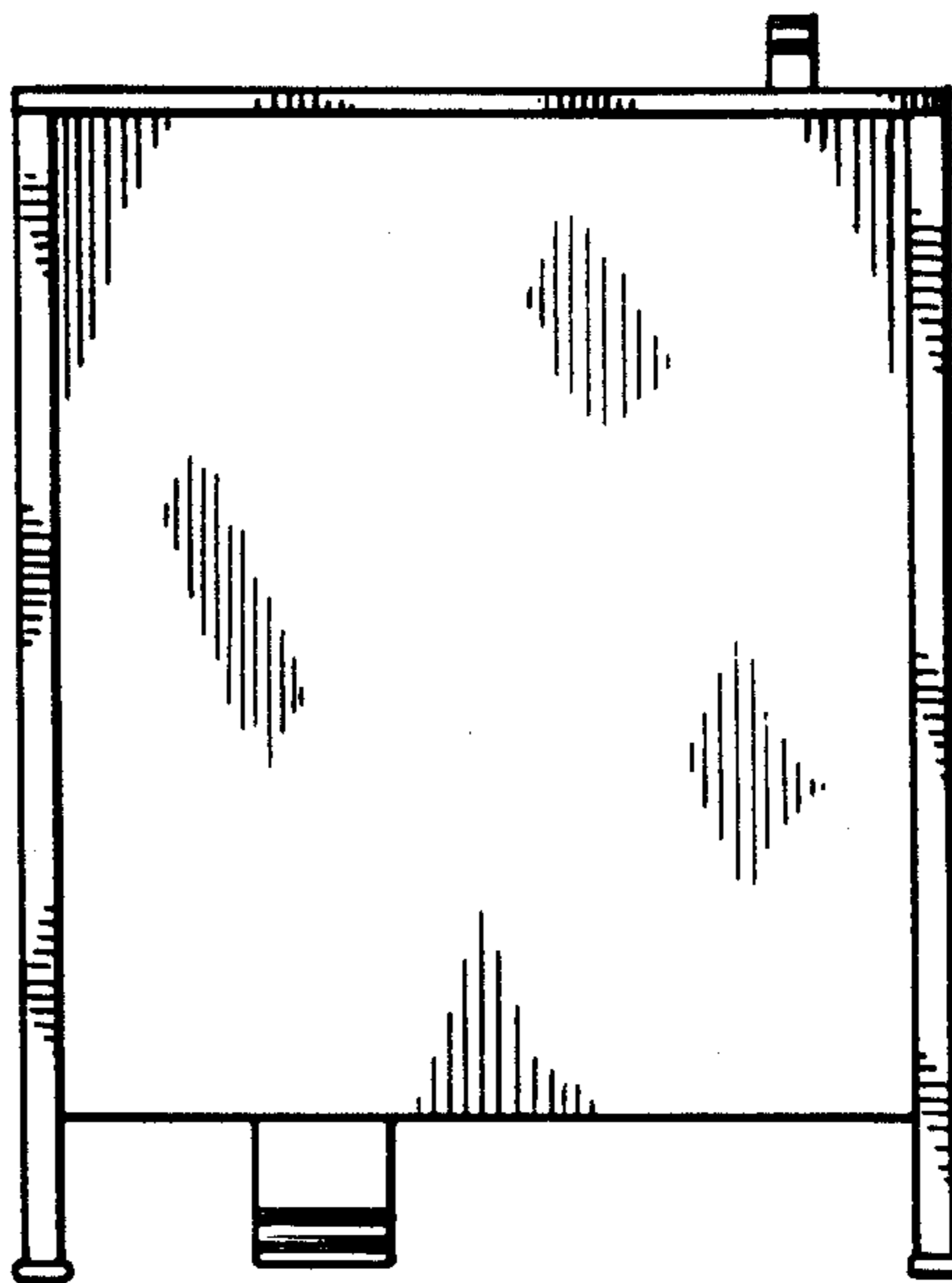


FIG. 7

