

[54] CONVENIENCE COLLATOR FOR A COPIER

[56]

References Cited

[75] Inventors: Joseph L. Gambrell, Lexington, Ky.; Gene P. Gilleland, Boulder, Colo.; Allen D. Hawthorne, New Canaan, Conn.; Robert M. Hofland, Boulder; James A. McCuiston, Longmont, both of Colo.

D. 244,280	5/1977	Cross et al.	D14/48 X
D. 248,400	4/1978	Alderson et al.	D16/32
3,414,254	12/1968	Snellman et al.	271/173
4,134,581	1/1979	Johnson et al.	271/173
4,141,546	2/1979	Queener	271/173

U.S. PATENT DOCUMENTS

Primary Examiner—Catherine E. Kemper
Attorney, Agent, or Firm—Gunter A. Hauptman

[73] Assignee: International Business Machines Corporation, Armonk, N.Y.

[57] CLAIM

[**] Term: 14 Years

The ornamental design for a convenience collator for a copier, substantially as shown and described.

[21] Appl. No.: 852,412

DESCRIPTION

[22] Filed: Nov. 17, 1977

FIG. 1 is a front perspective view of a convenience collator for a copier showing our new design; FIG. 2 is a front perspective view thereof shown on an enlarged scale; and FIG. 3 is a rear perspective view thereof.

[51] Int. Cl. D16—03; D14—02

The bottom of the convenience collator is substantially flat and unornamented.

[52] U.S. Cl. D16/32; D14/48

The broken line disclosure of a copier in FIG. 1 is for illustrative purposes only and forms no part of the claimed designs.

[58] Field of Search D14/48; D16/27, 32; 270/52, 58; 271/63, 64, 173, 181, 207

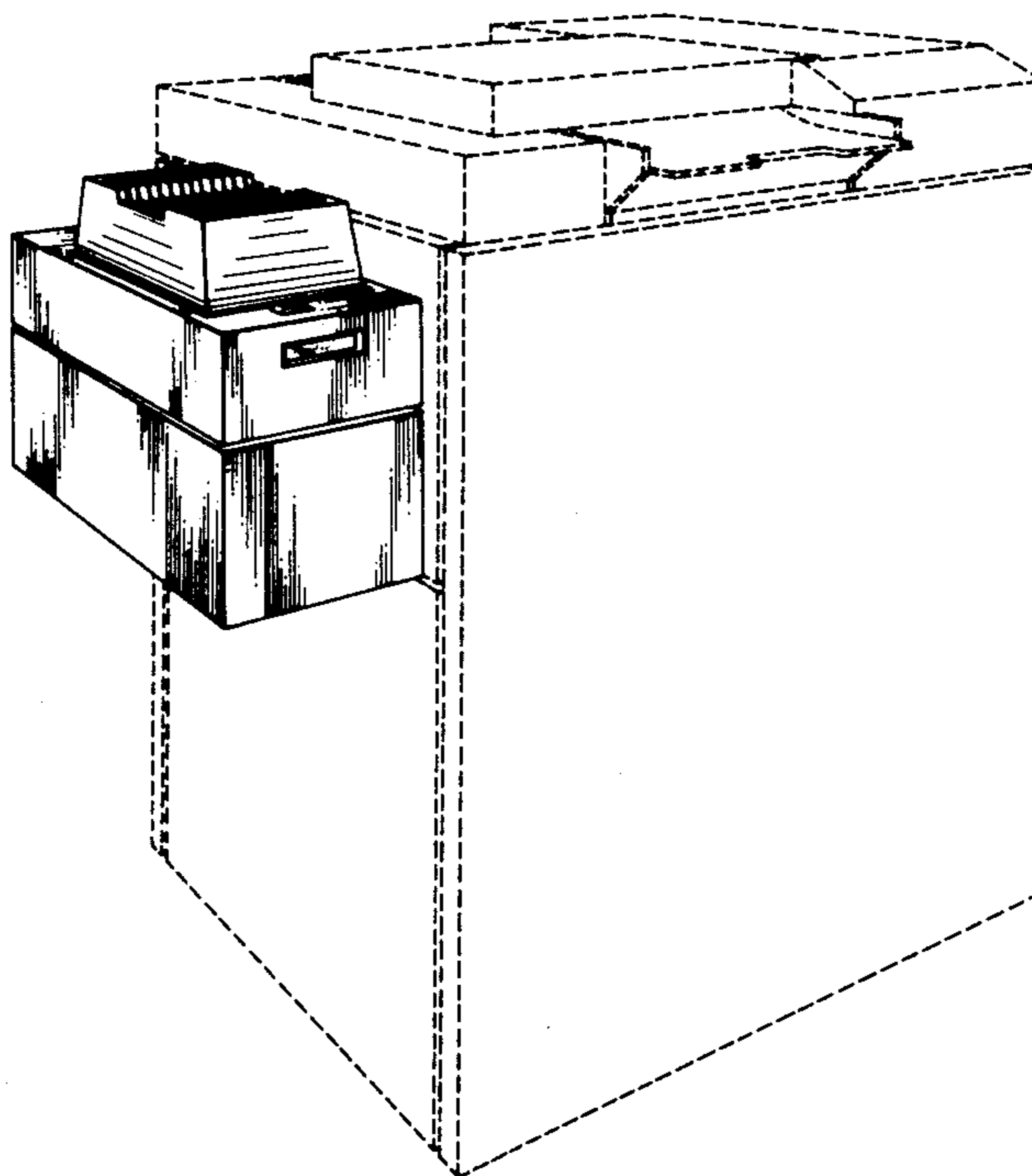


FIG. 1

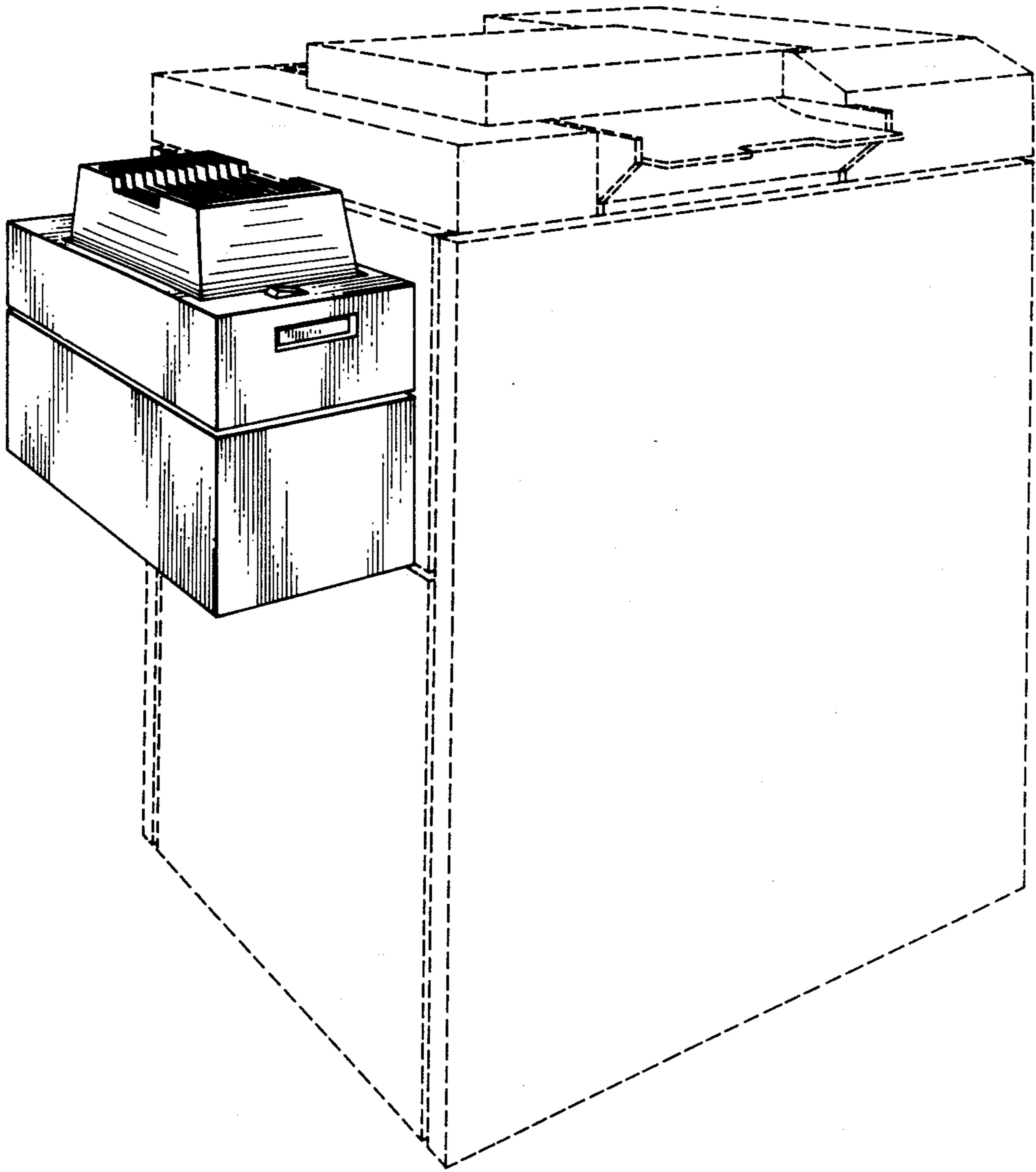


FIG. 2

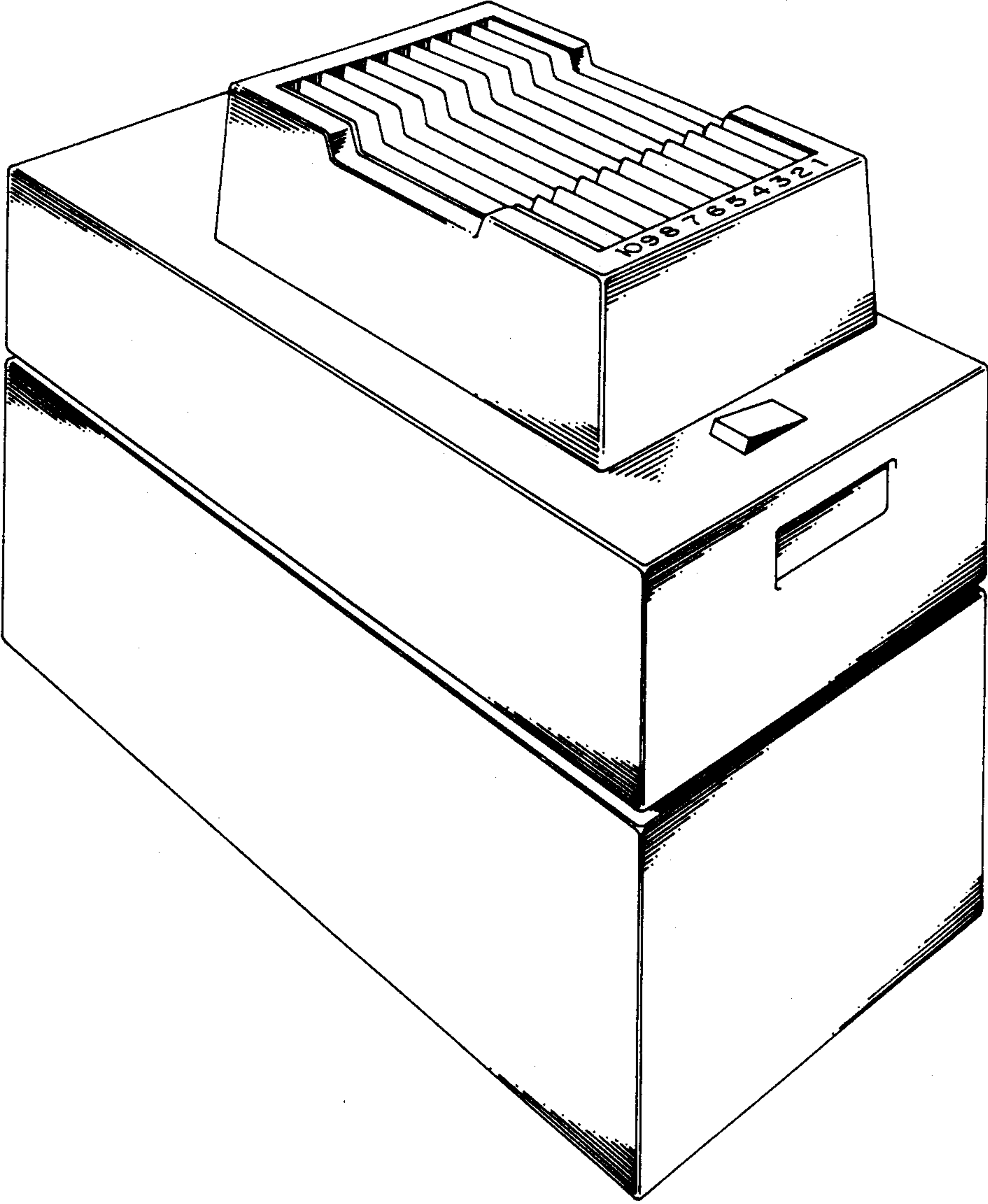


FIG. 3

