

[54] WHEELCHAIR

[75] Inventor: Hiroshi Honzyou, Tokyo, Japan

[73] Assignee: Sony Corporation, Tokyo, Japan

[**] Term: 14 Years

[21] Appl. No.: 891,471

[22] Filed: Mar. 29, 1978

[51] Int. Cl. D12-12

[52] U.S. Cl. D12/131

[58] Field of Search D12/131; 280/242 WC;
297/45, 42, DIG. 4; 180/6.5

[56]

References Cited

U.S. PATENT DOCUMENTS

D. 245,326 8/1977 Grippi, Jr. D12/131
3,955,639 5/1976 Cragg 180/6.5

Primary Examiner—James M. Gandy
Attorney, Agent, or Firm—Lewis H. Eslinger

[57]

CLAIM

The ornamental design for a wheelchair, as shown.

DESCRIPTION

FIG. 1 is a front elevational view of a wheelchair embodying my design;

FIG. 2 is a right side elevational view thereof;

FIG. 3 is a top plan view thereof;

FIG. 4 is a left side elevational view thereof;

FIG. 5 is a rear elevational view thereof; and

FIG. 6 is a bottom plan view thereof.

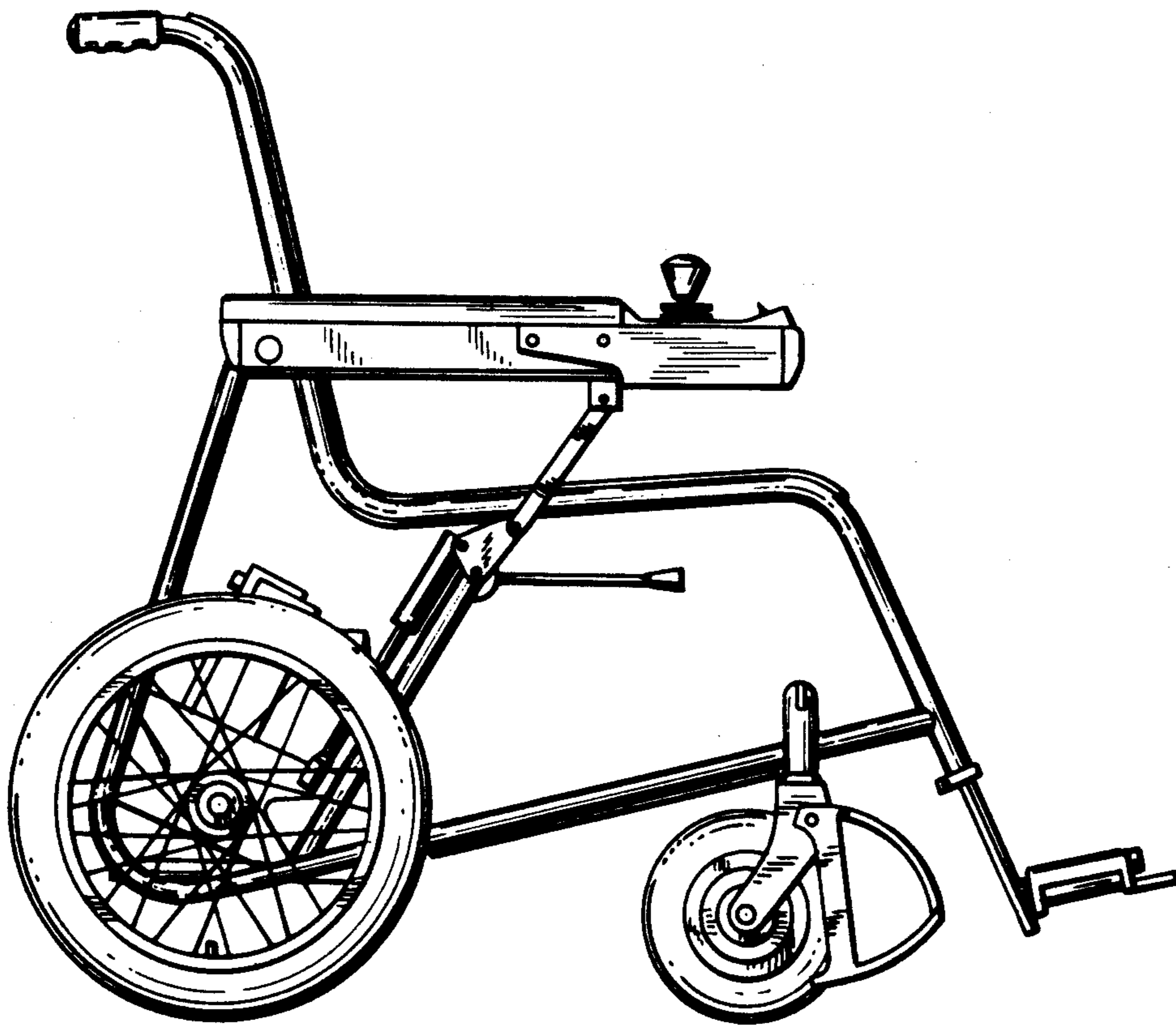


FIG. 1

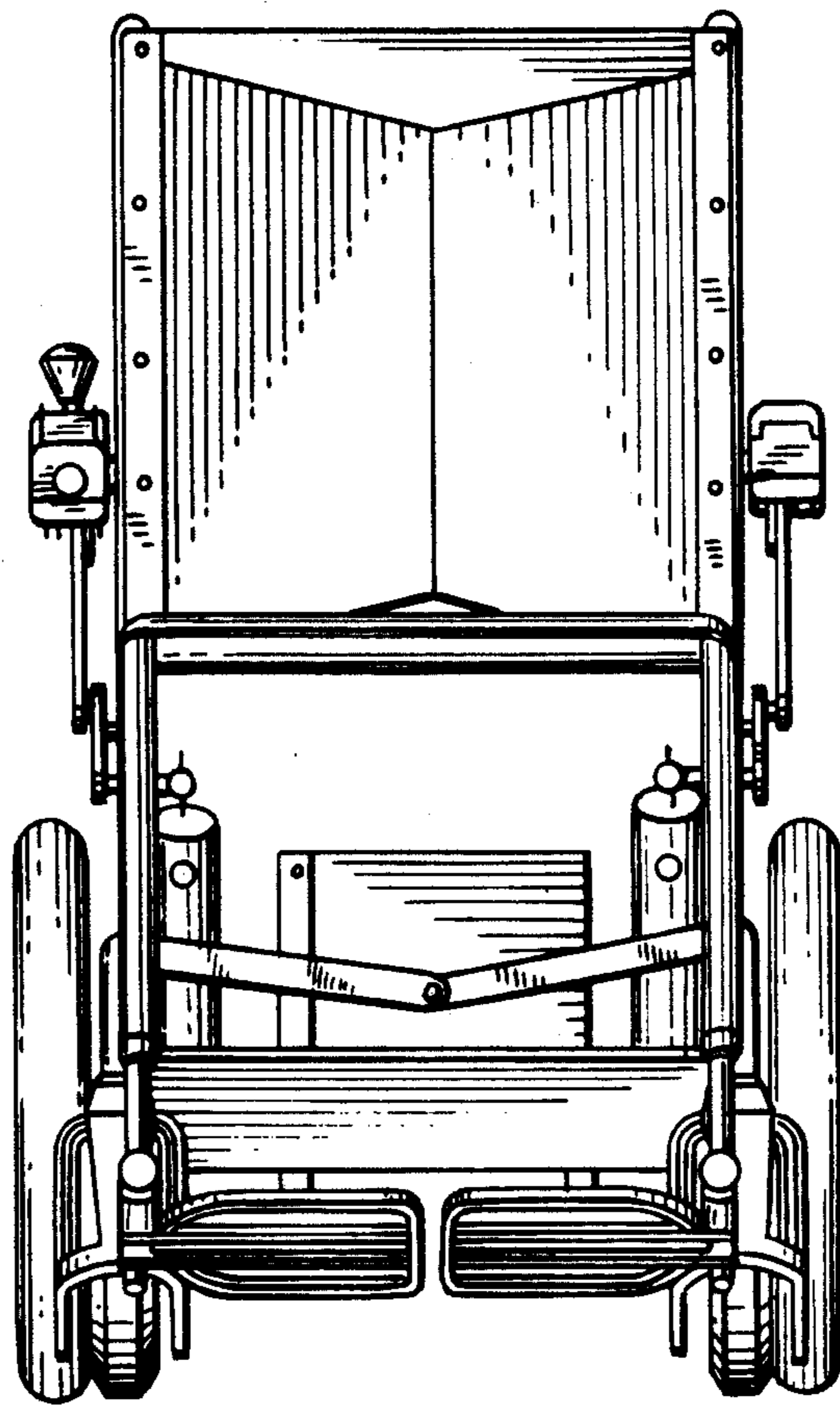


FIG. 2

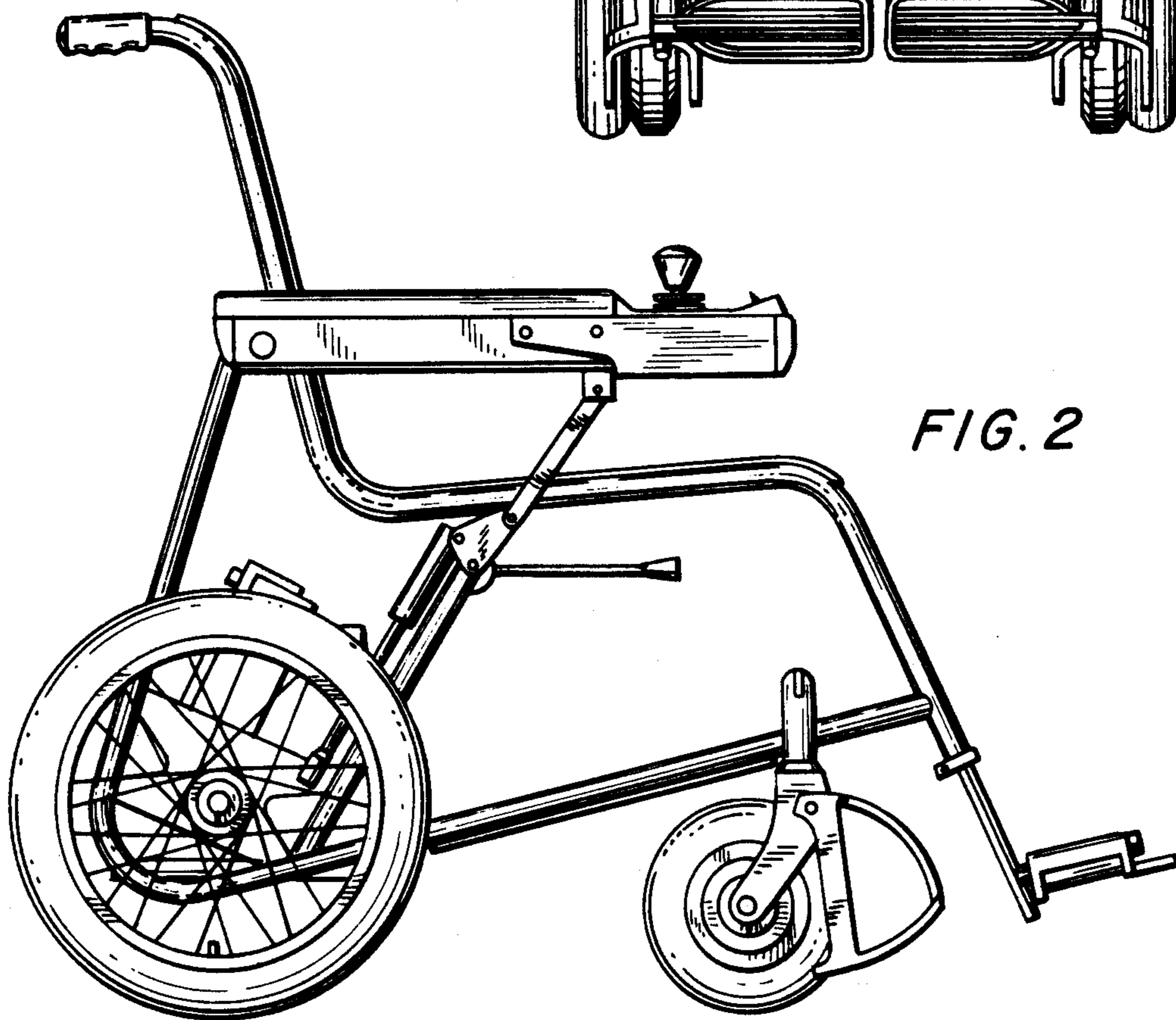


FIG. 3

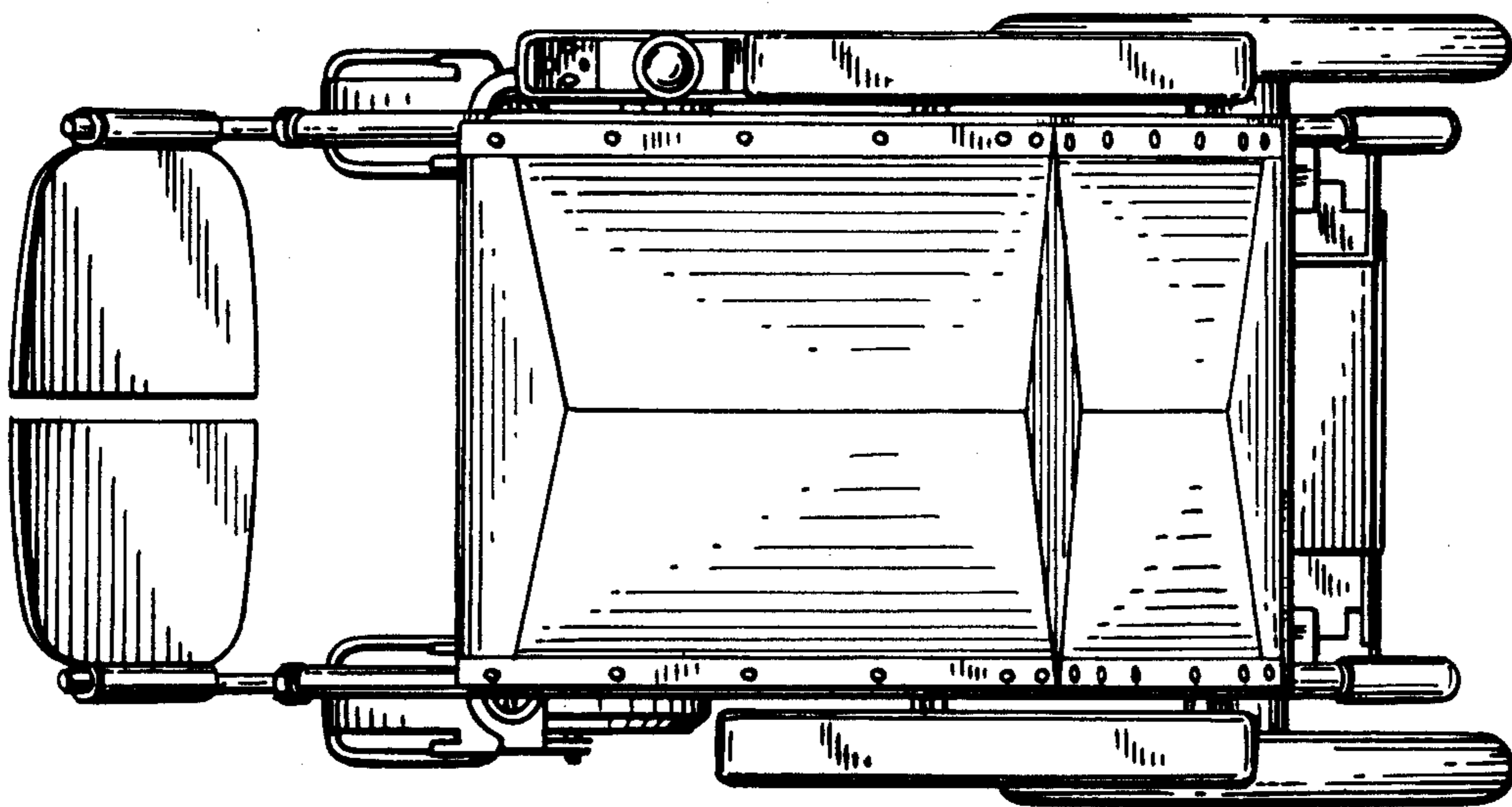


FIG. 4

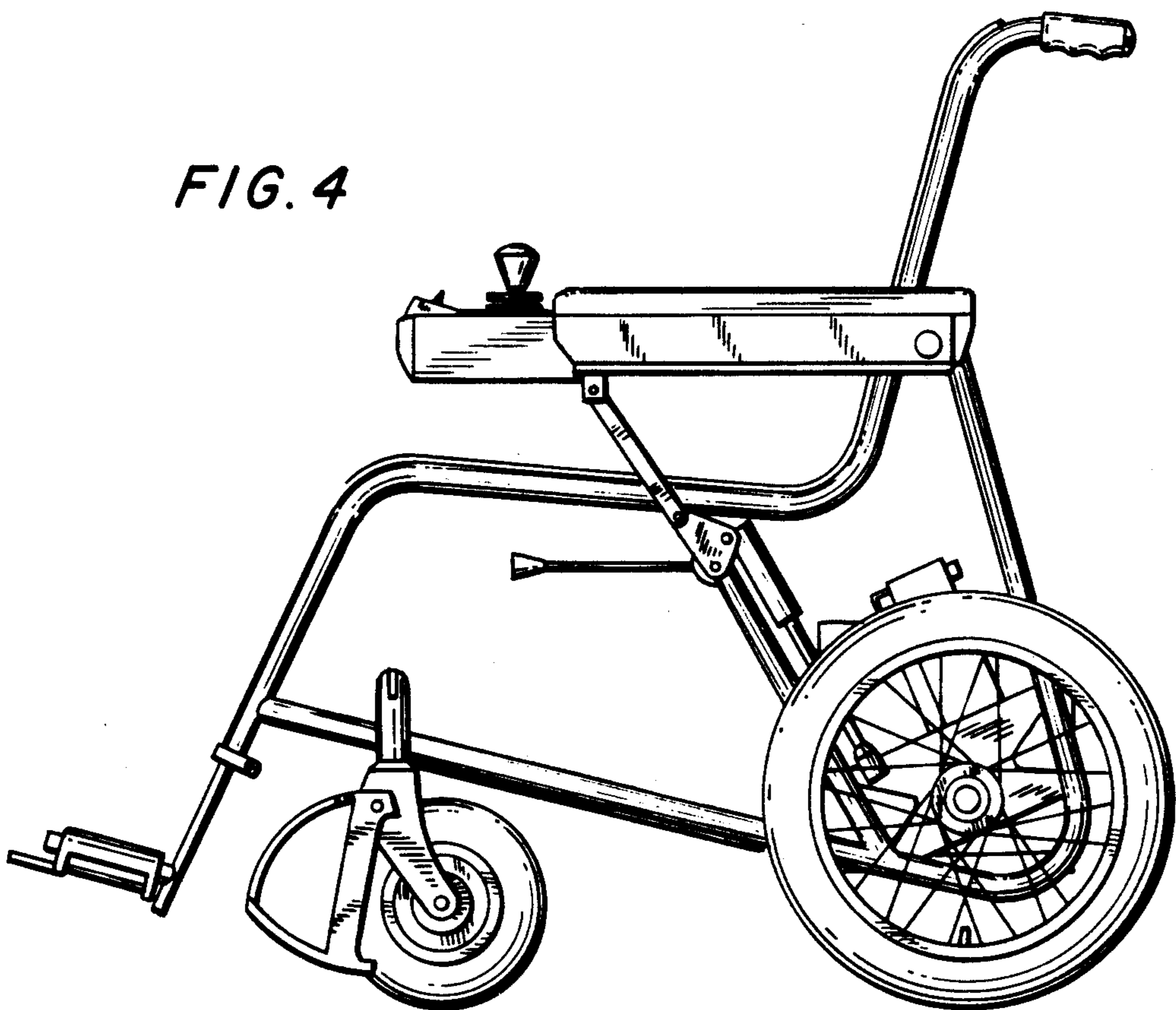


FIG. 5

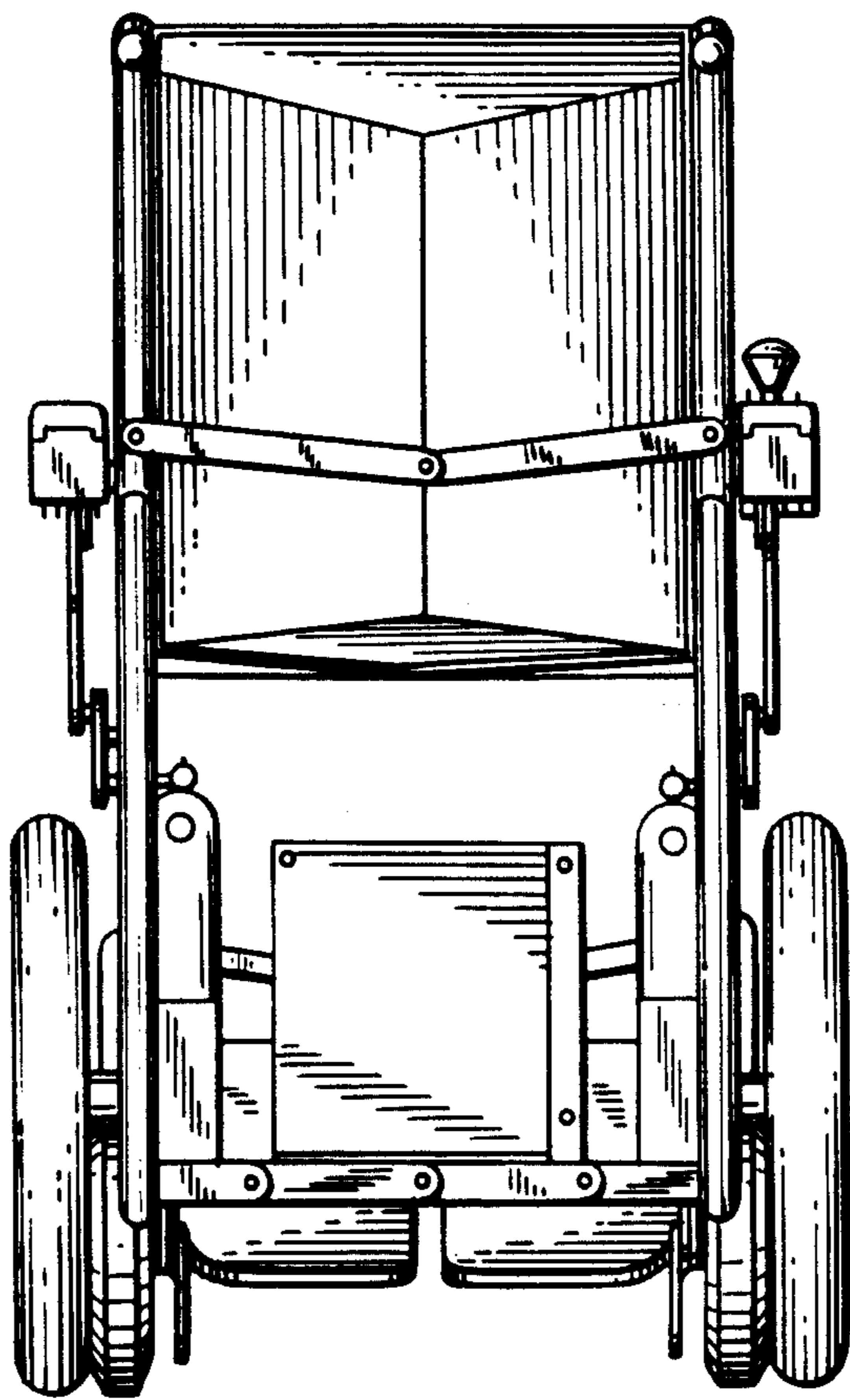


FIG. 6

