

[54] THREE-WHEELED VEHICLE

[76] Inventors: George C. Moore; Jodele Moore, both of P.O. Box 1006, Solvang, Calif. 93463; James M. Tipke, 2823 N. Perry St., Spokane, Wash. 99207

[**] Term: 14 Years

[21] Appl. No.: 942,666

[22] Filed: Sep. 15, 1978

[51] Int. Cl. D12-11

[52] U.S. Cl. D12/112

[58] Field of Search D12/109, 112, 85, 182; 280/202, 281 B; 180/27, 26 R, 25 R

[56] References Cited

U.S. PATENT DOCUMENTS

1,099,455 6/1914 Linde 280/202

FOREIGN PATENT DOCUMENTS

443935 1/1949 Italy 180/27

OTHER PUBLICATIONS

Cycle World, 8/73, p. 72, Moontrike, top left side of page.

Cycle World, 9/76, inside rear cover, Fairing on Motorcycle.

Primary Examiner—James M. Gandy
Attorney, Agent, or Firm—Phillips, Moore, Weissenberger, Lempio & Majestic

[57] CLAIM

The ornamental design for a three-wheeled vehicle, substantially as shown.

DESCRIPTION

FIG. 1 is a perspective view from in front and to the right side of a three-wheeled vehicle embodying our new design;

FIG. 2 is a front elevational view thereof;

FIG. 3 is a rear elevational view thereof;

FIG. 4 is a right side elevational view thereof with the top in lowered position;

FIG. 5 is a left side elevational view thereof;

FIG. 6 is a top plan view thereof, and

FIG. 7 is a bottom plan view thereof.

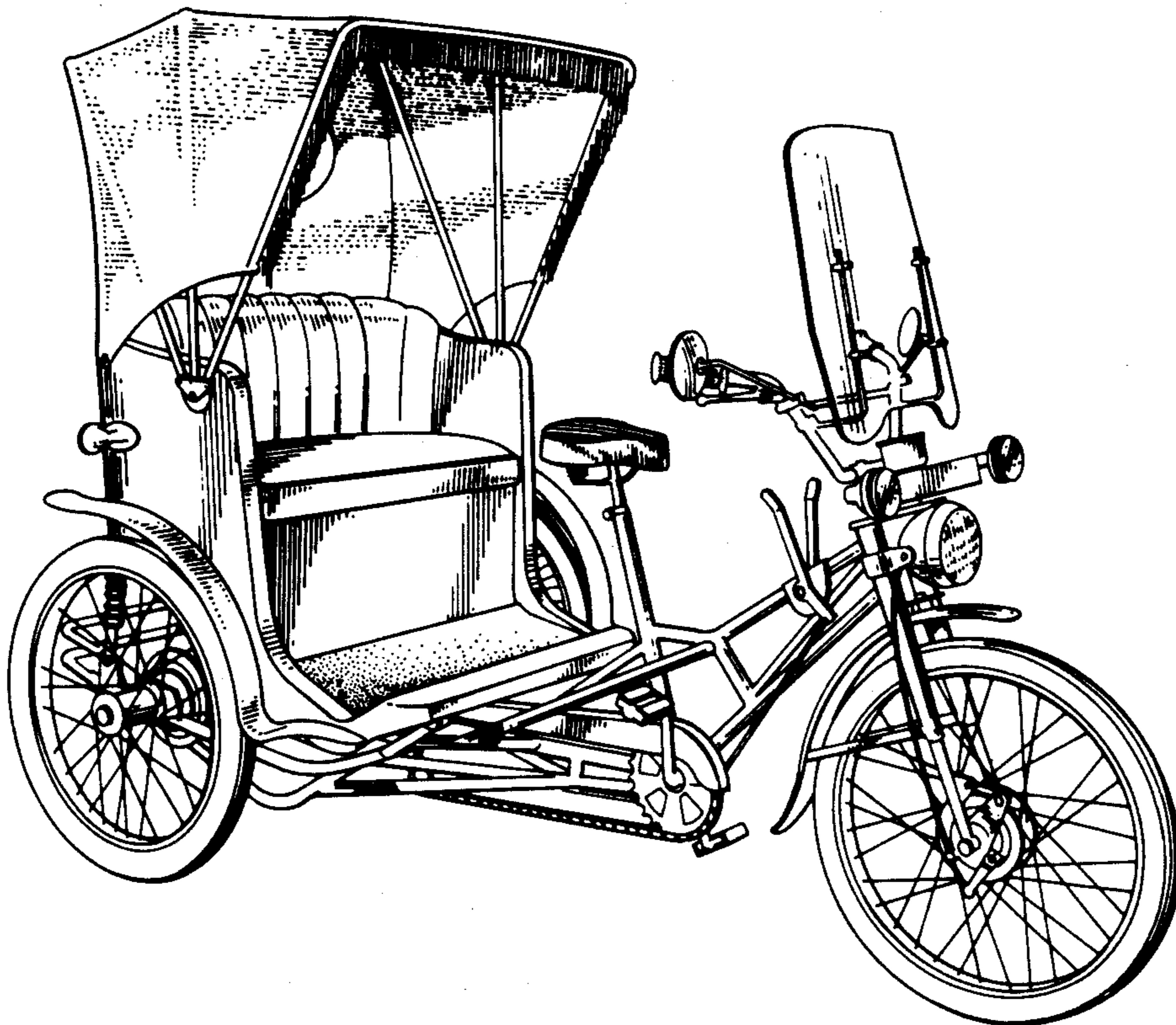
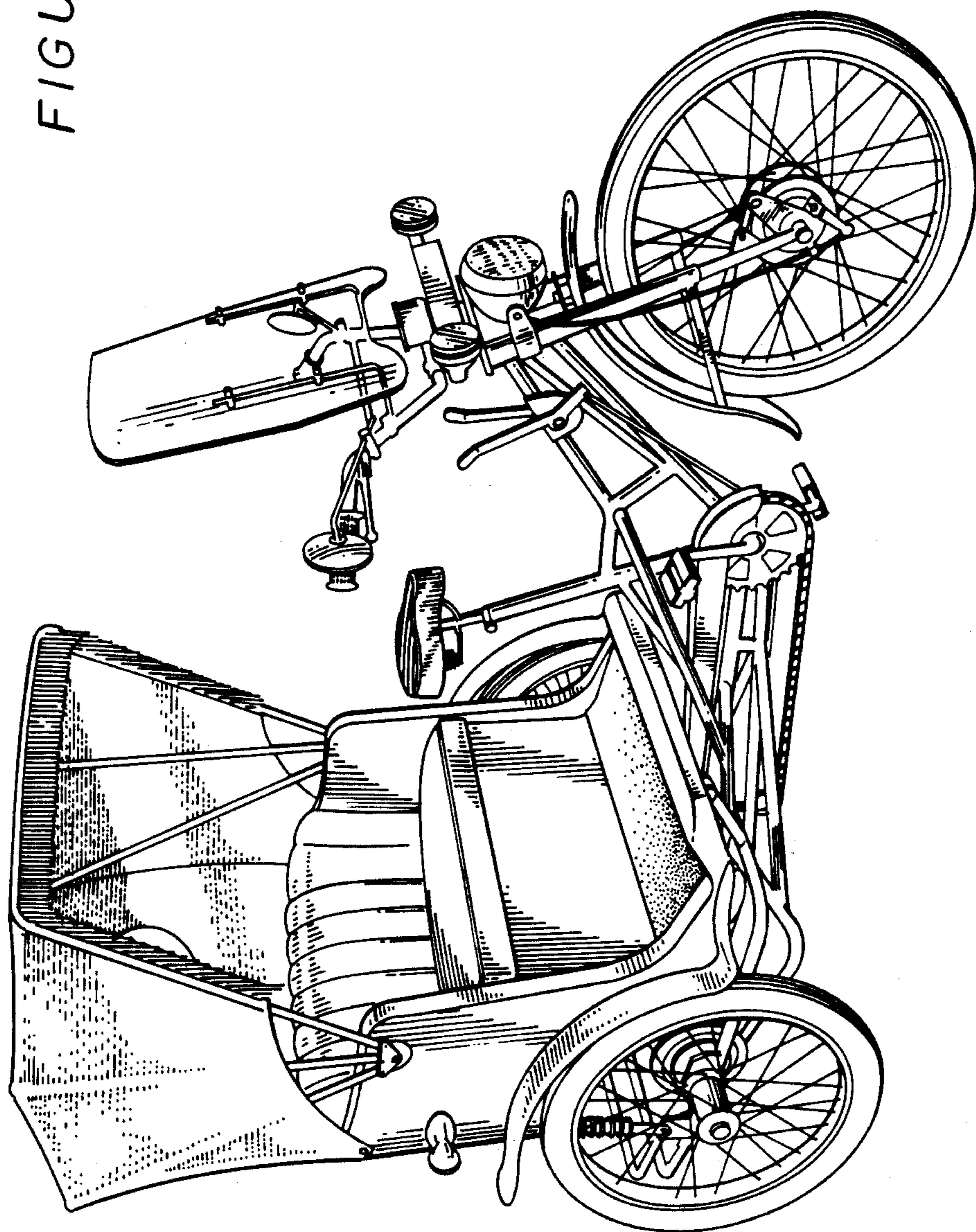


FIGURE 1.



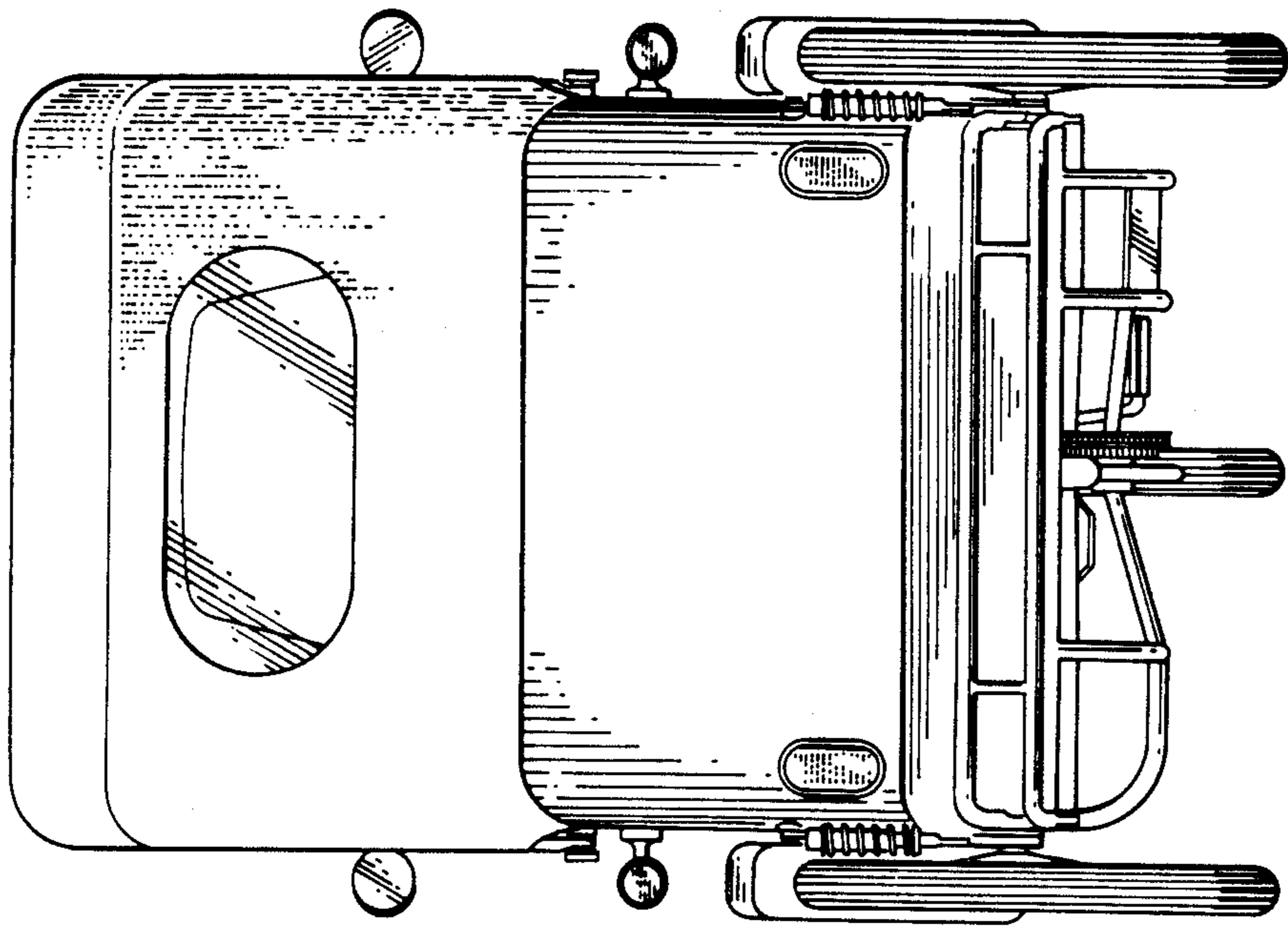


FIGURE 3.

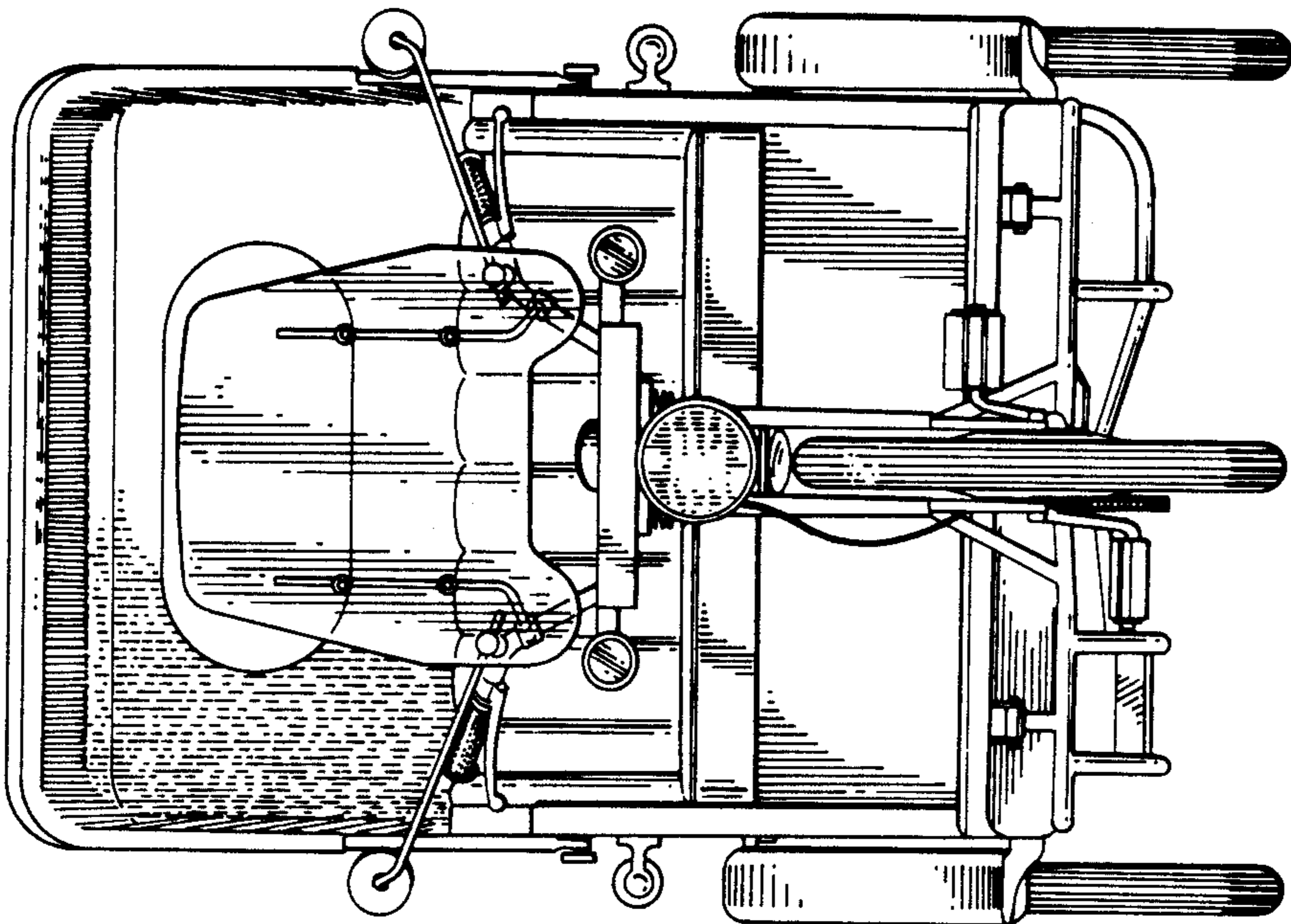
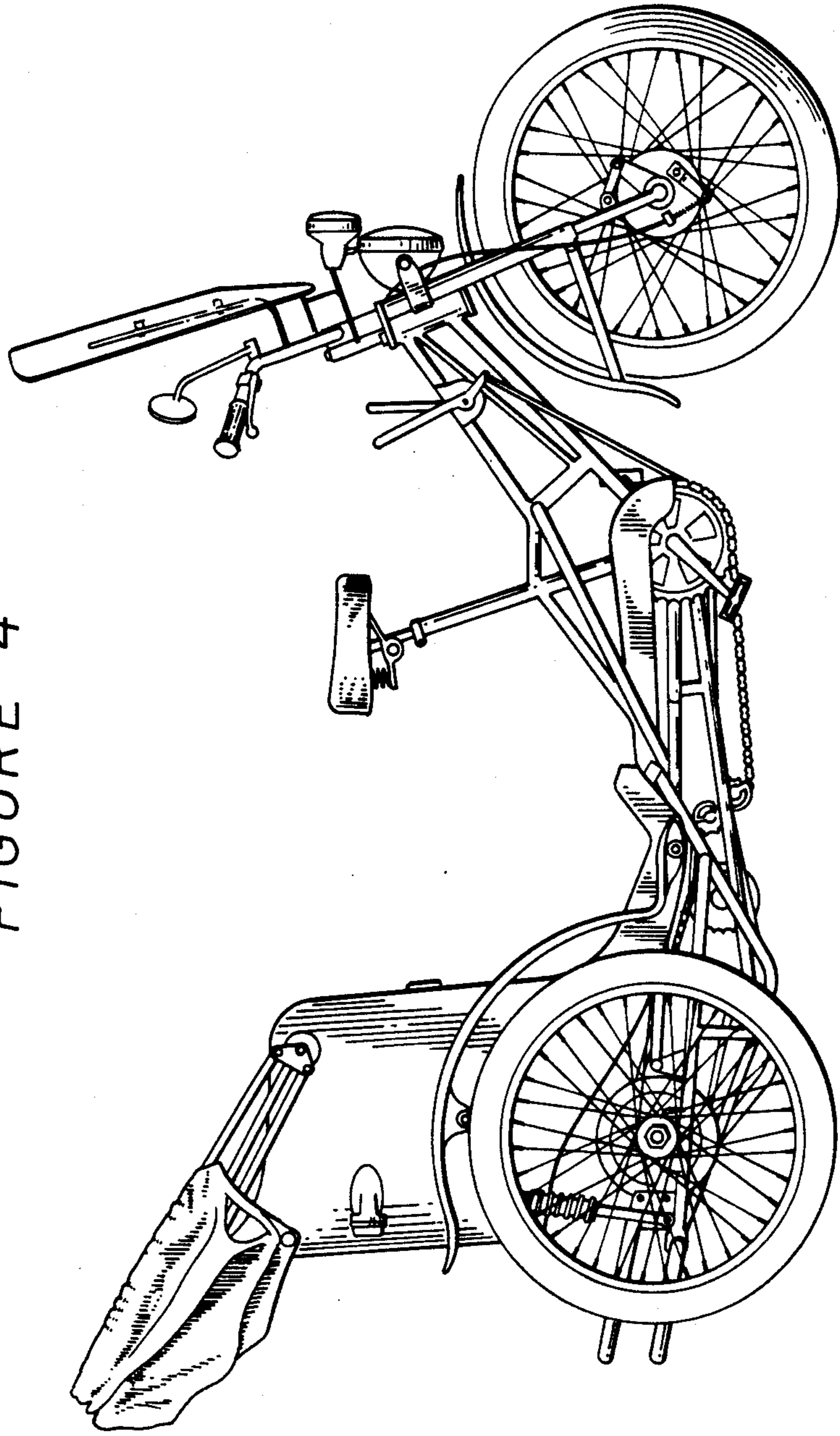


FIGURE 2.

FIGURE 4



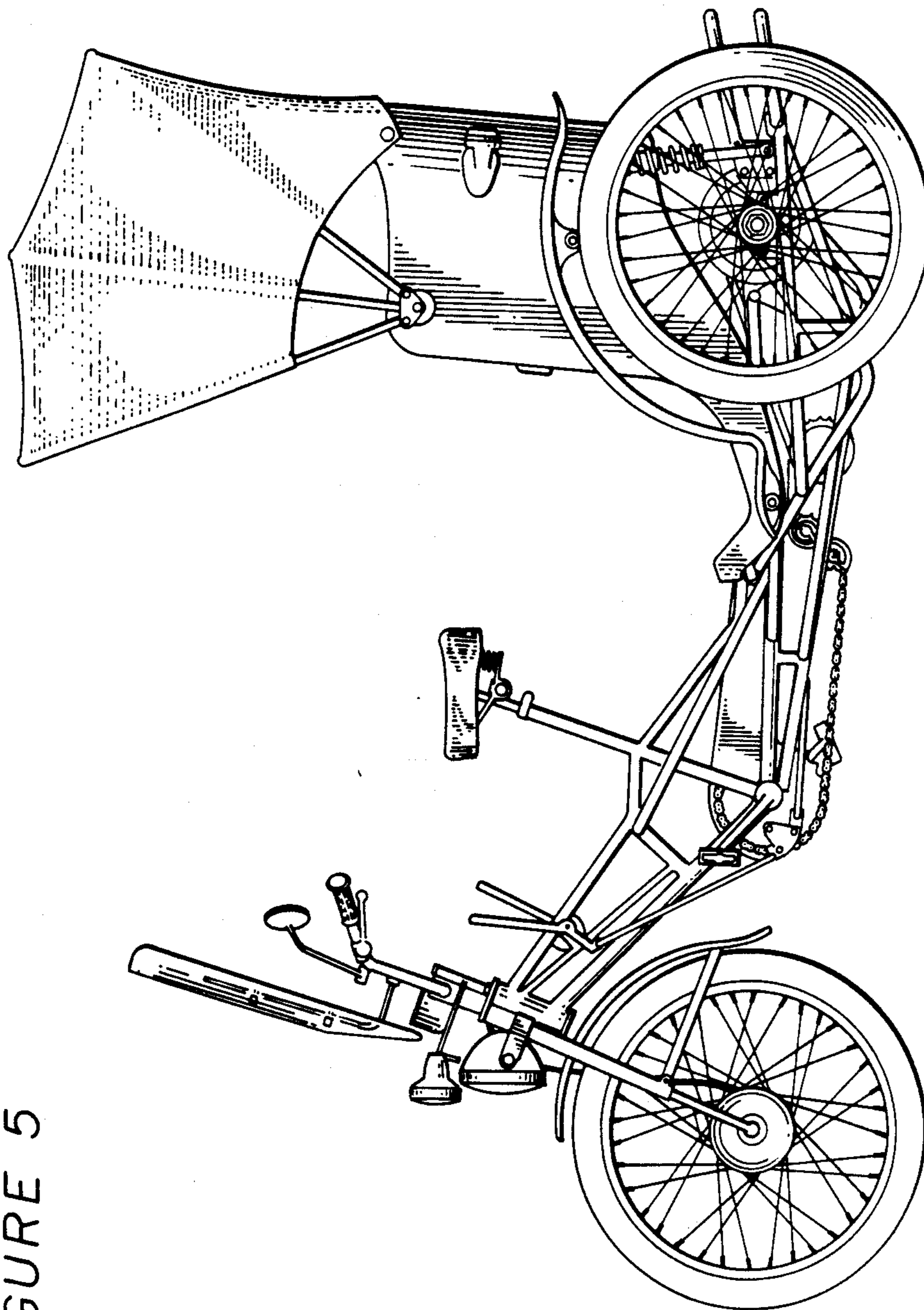


FIGURE 5

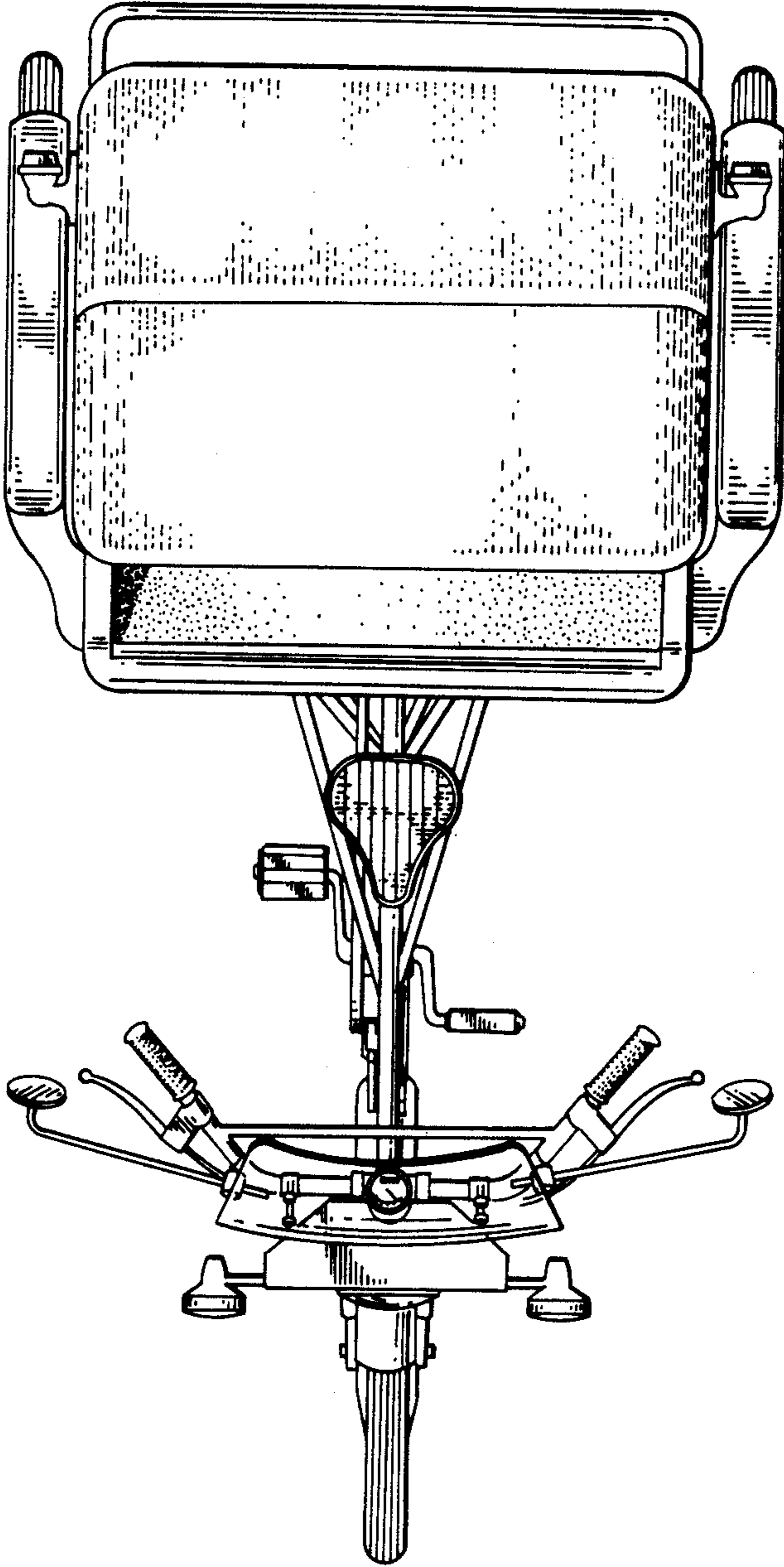


FIGURE 6

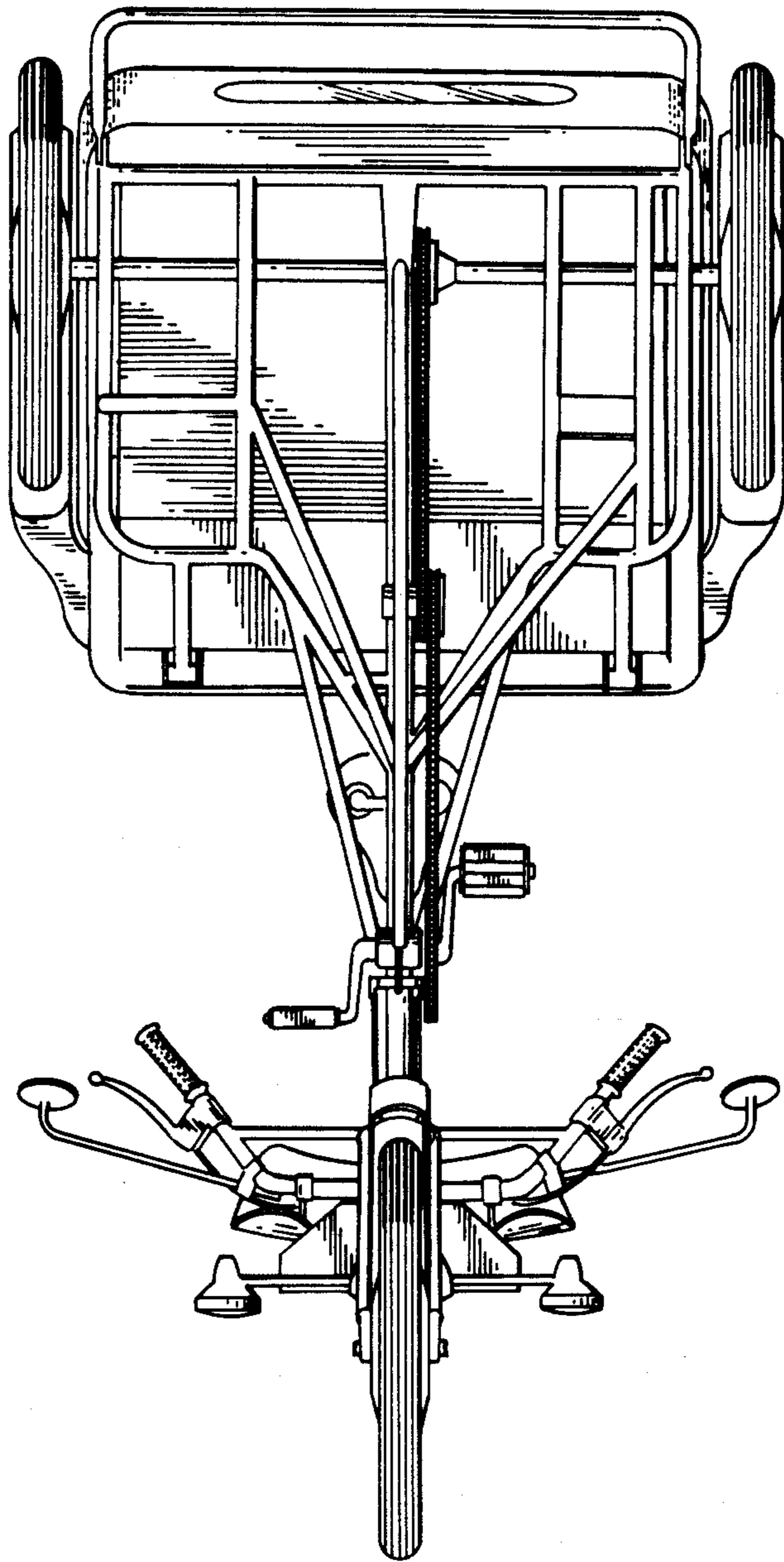


FIGURE 7