

[54] LID FOR A PACKAGING CONTAINER OR THE LIKE

3,117,692 1/1964 Carpenter et al. 220/306
4,018,338 4/1977 Lemkin 206/508

[75] Inventors: David R. Dugan, Warsaw; Kenneth E. Prince, Indianapolis, both of Ind.

[73] Assignee: Owens-Illinois Inc., Toledo, Ohio

[**] Term: 14 Years

[21] Appl. No.: 837,953

[22] Filed: Sep. 29, 1977

[51] Int. Cl. D09-07

[52] U.S. Cl. D9/254

[58] Field of Search D9/254; D7/40, 16, 131, D7/83, 85; 220/306; 206/508, 518

[56] References Cited

U.S. PATENT DOCUMENTS

D. 207,496 4/1967 Swett D7/83
D. 220,381 4/1971 Buxton D9/254

OTHER PUBLICATIONS

Retailing Home Furnishings, Feb. 27, 1978, p. 49, Item on far bottom left.

Primary Examiner—Joel Stearman

Assistant Examiner—Carmen H. Vales

Attorney, Agent, or Firm—John R. Nelson; Myron E. Click; David H. Wilson

[57] CLAIM

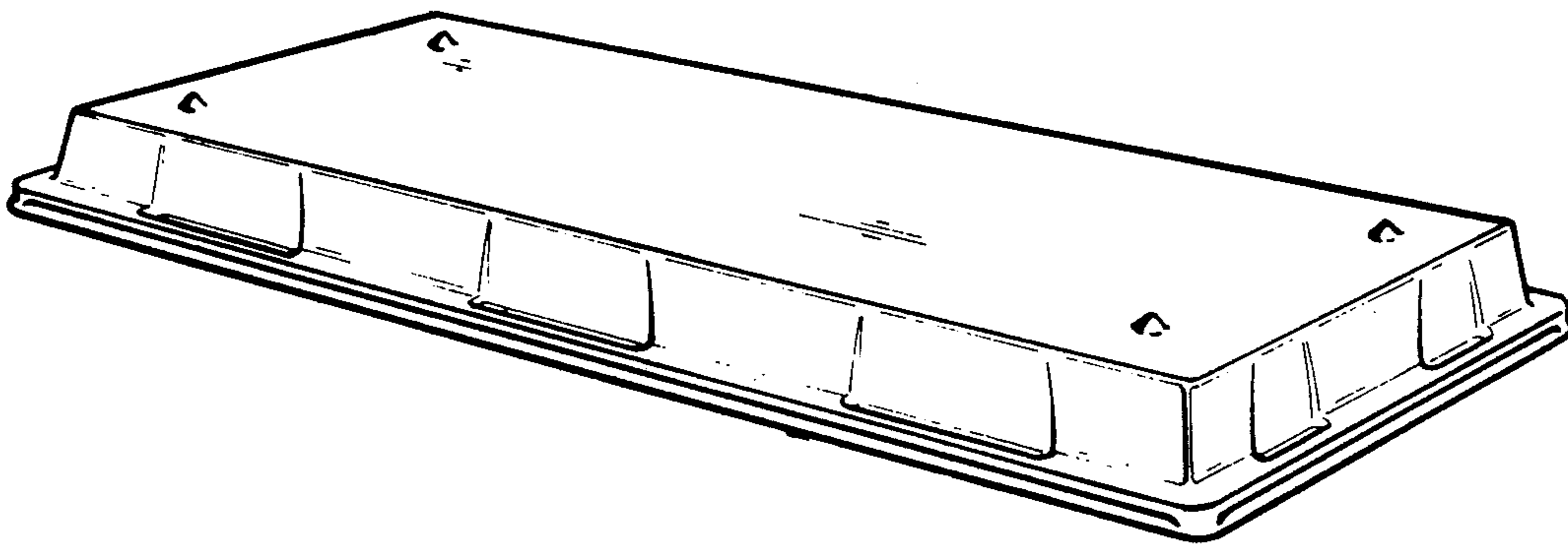
The ornamental design for a lid for a packaging container or the like, as shown.

DESCRIPTION

FIG. 1 is a right end perspective view of a lid for a packaging container or the like showing our new design;

FIG. 2 is a left end perspective view thereof; and

FIG. 3 is a bottom plan view thereof.



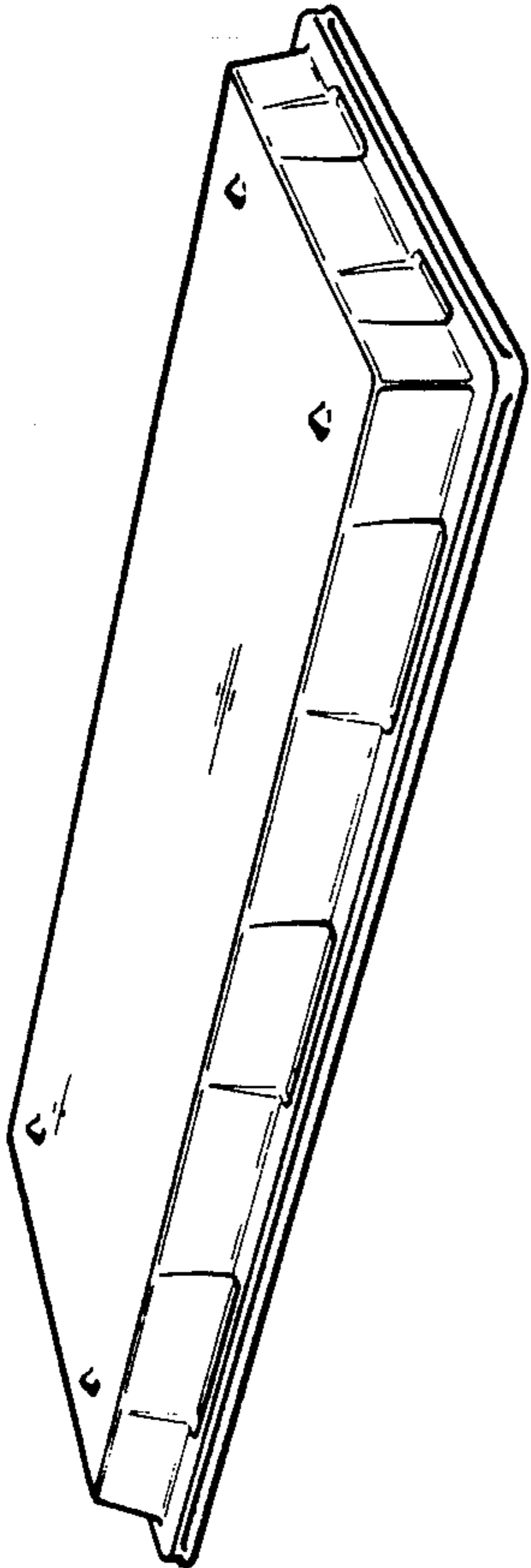


FIG. 1

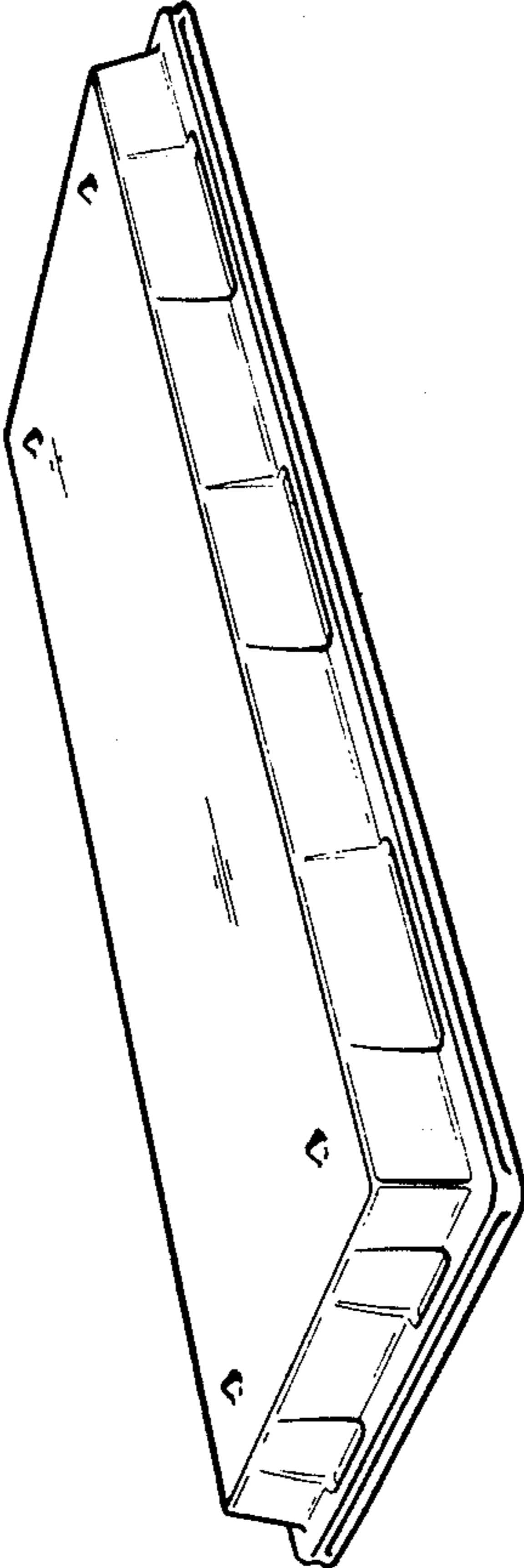


FIG. 2

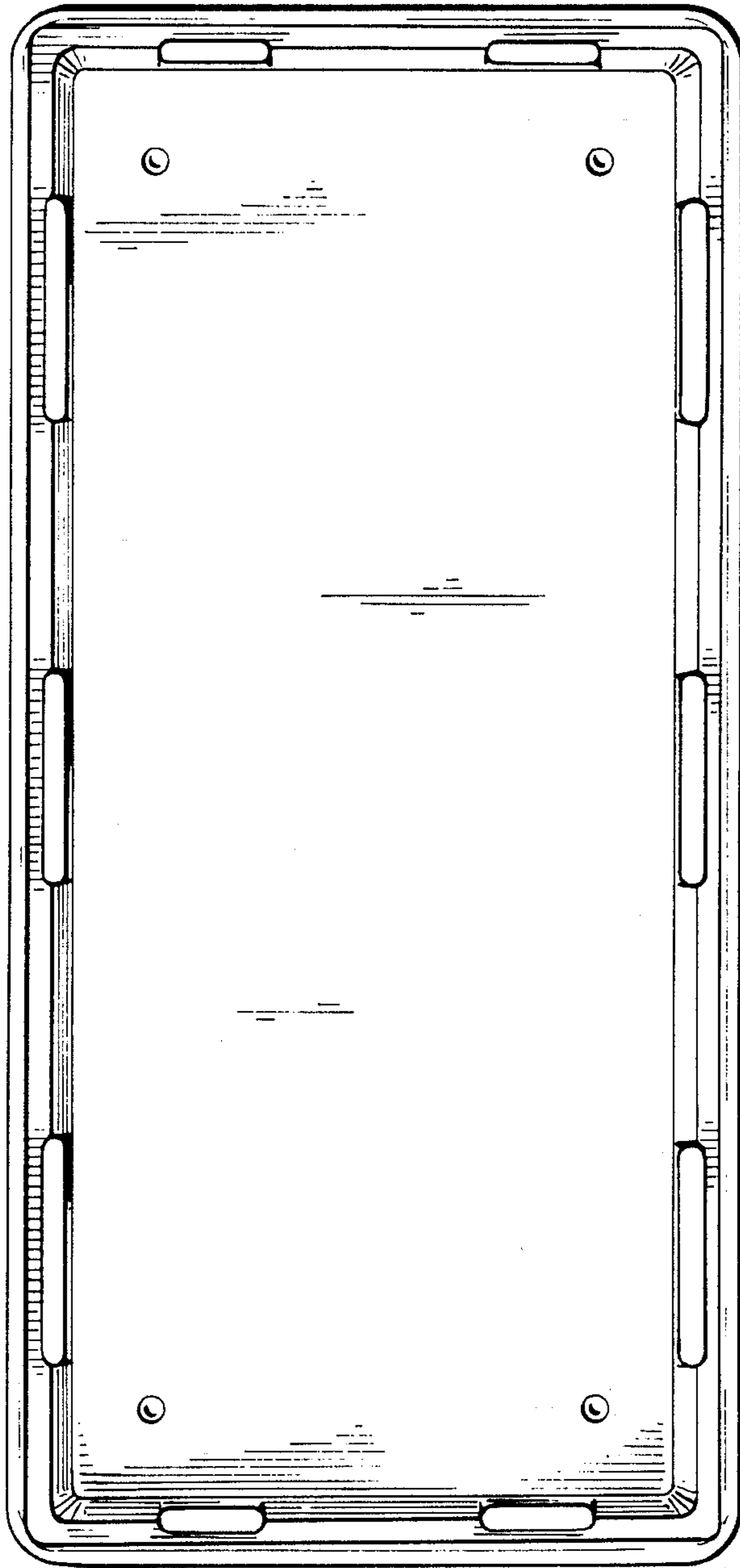


FIG. 3