

[54] COMBINED CHANGE TRAY AND PORTABLE CALCULATOR SUPPORT

3,532,247 10/1970 Bridges D7/38 X
4,026,457 5/1977 Schubert D7/38 X

[76] Inventors: Thomas M. Lee, 15 A Redhill Cir., Tiburon, Calif. 94920; Richard A. Selfert, 5631 Firestone Rd., Livermore, Calif. 94550

Primary Examiner—Bruce W. Dunkins
Attorney, Agent, or Firm—Owen, Wickersham & Erickson

[**] Term: 14 Years

[57] CLAIM

[21] Appl. No.: 846,270

The ornamental design for a combined change tray and portable calculator support, substantially as shown and described.

[22] Filed: Oct. 27, 1977

DESCRIPTION

[51] Int. Cl. D6-04

FIG. 1 is a perspective view of a combined change tray and portable calculator support showing our new design.

[52] U.S. Cl. D6/181; D6/188

The broken line showing of a calculator in FIG. 1 is for illustrative purposes only.

[58] Field of Search D6/85, 199; D19/92, D19/86, 87; D7/37, 38; D87/1 R

FIG. 2 is a bottom plan view of said change tray.

[56] References Cited

U.S. PATENT DOCUMENTS

FIG. 3 is a view in elevation and section of said change tray, along the line 3-3 in FIG. 2.

- D. 164,157 8/1951 Chrzanowski D19/87 X
- D. 244,658 6/1977 Turner D19/92
- D. 246,211 11/1977 Sullivan D6/85
- 3,305,126 2/1967 Cease D7/38 X

FIG. 4 is a view in elevation and section of said change tray, along the line 4-4 in FIG. 2.

FIG. 5 is a view in elevation and section of said change tray, along the line 5-5 in FIG. 2.

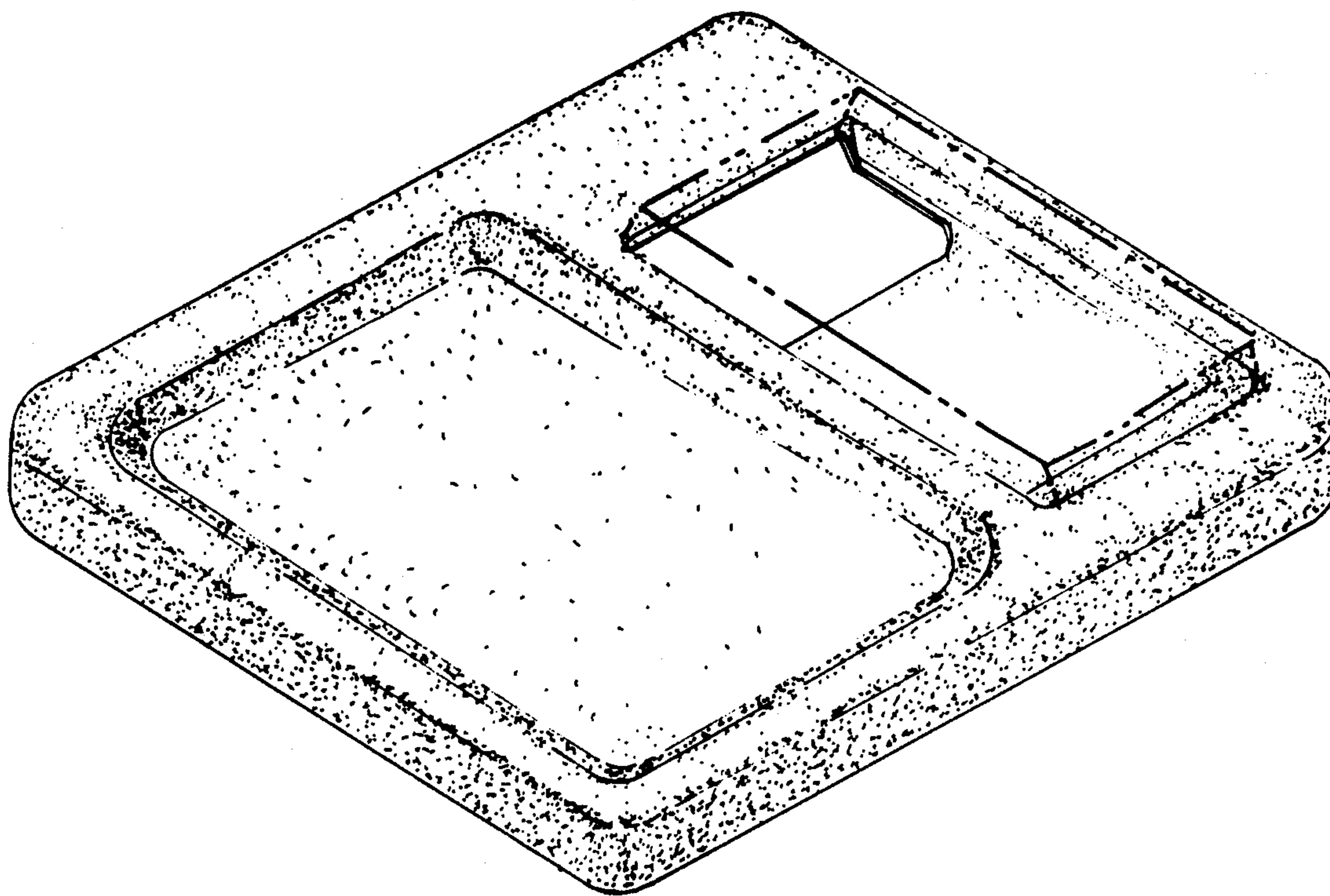


FIG. 1

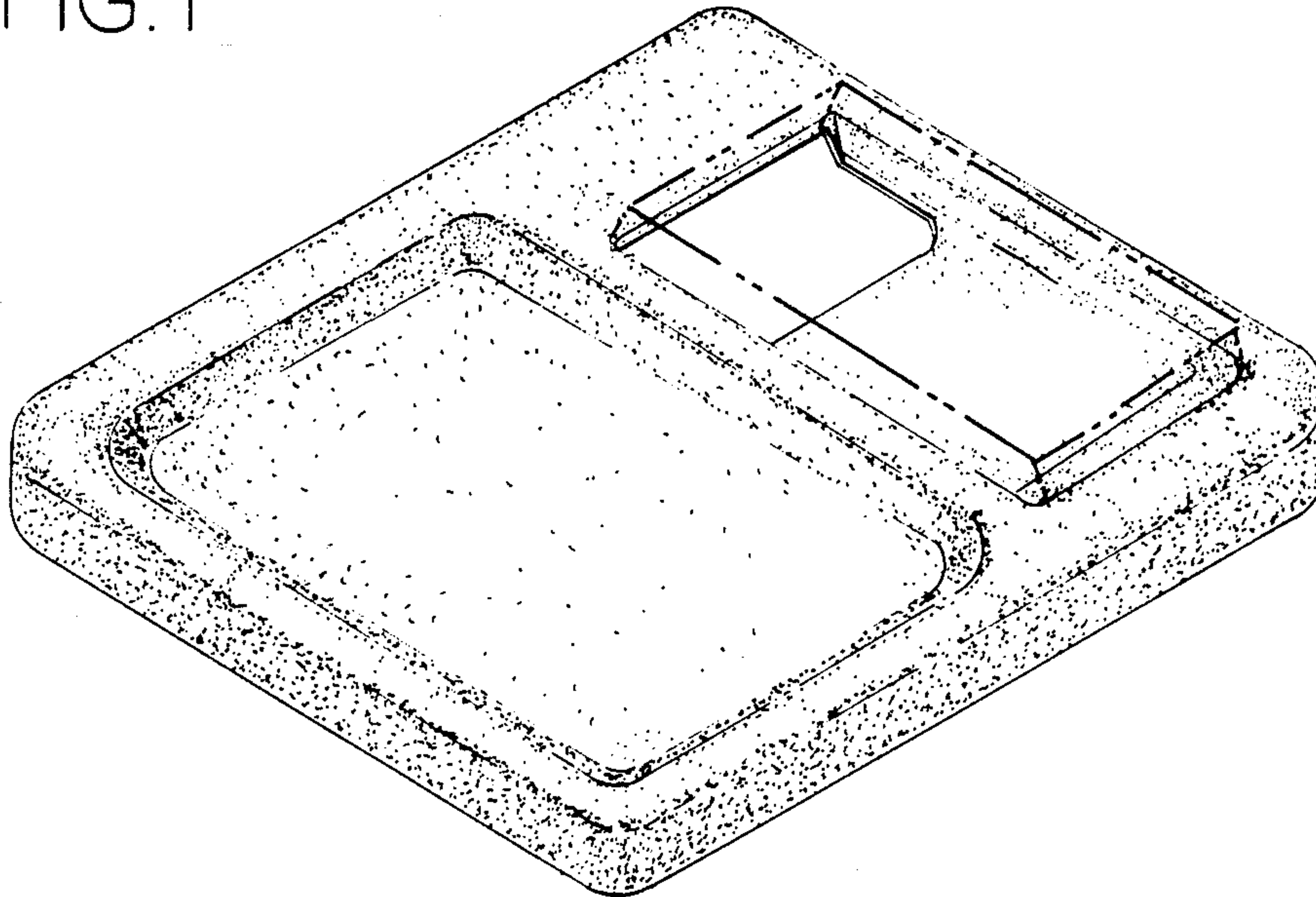


FIG. 2

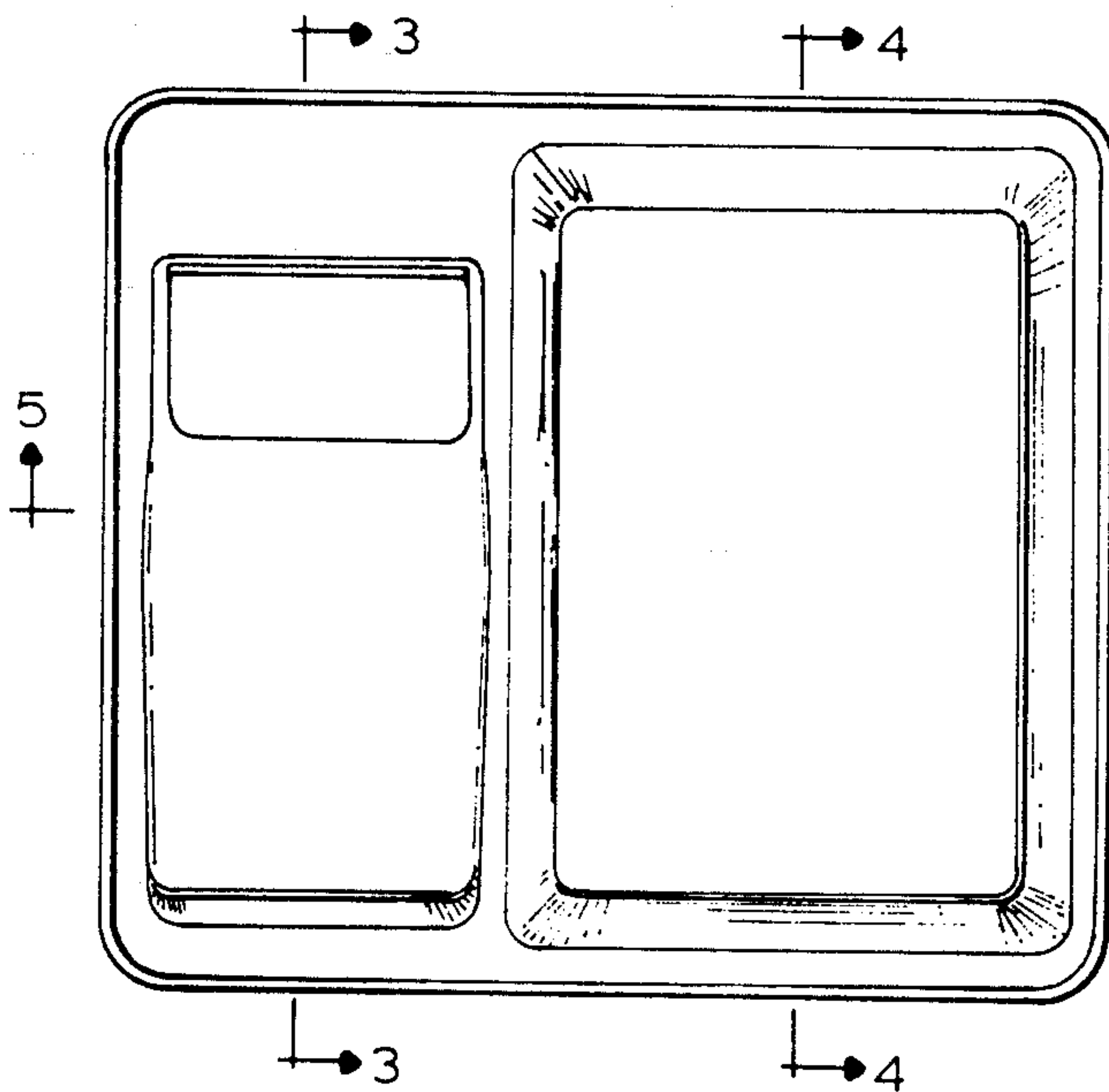


FIG. 3



FIG. 4



5



FIG. 5