

[54] GOLF BALL AND TEE CADDY

2,768,775 10/1956 Houser 224/5 D
3,497,676 2/1970 Gravatt 224/5 D

[76] Inventor: Thomas A. Thomas, 1911 Harrison St., Hollywood, Fla. 33020

Primary Examiner—Joel Stearman
Assistant Examiner—Carmen H. Vales
Attorney, Agent, or Firm—George A. Depaoli

[**] Term: 14 Years

[21] Appl. No.: 829,973

[57] CLAIM

[22] Filed: Sep. 1, 1977

The ornamental design for a golf ball and tee caddy, as shown.

[51] Int. Cl. D02—99

[52] U.S. Cl. D2/400

[58] Field of Search D2/400; D34/5 CB; 224/5 C, 5 D, 26 R; 206/315 B, 101; 2/250

DESCRIPTION

FIG. 1 is a perspective view of a golf ball and tee caddy, showing my new design;

FIG. 2 is a side elevational view thereof;

FIG. 3 is a front elevational view thereof;

FIG. 4 is a rear elevational view thereof;

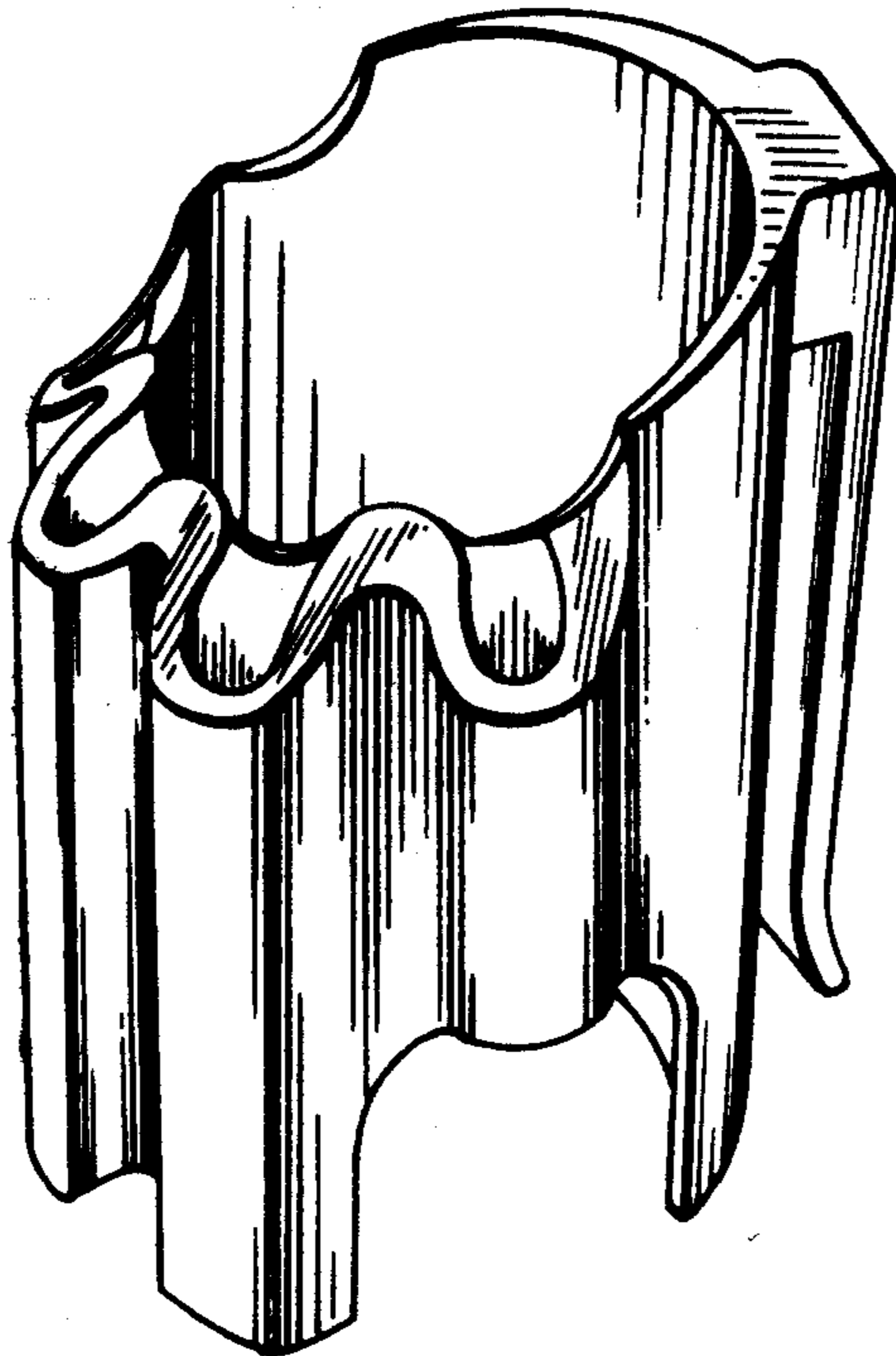
FIG. 5 is a top plan view thereof; and

FIG. 6 is a bottom plan view thereof.

[56] References Cited

U.S. PATENT DOCUMENTS

D. 212,020 8/1968 Nassar D34/5 CB



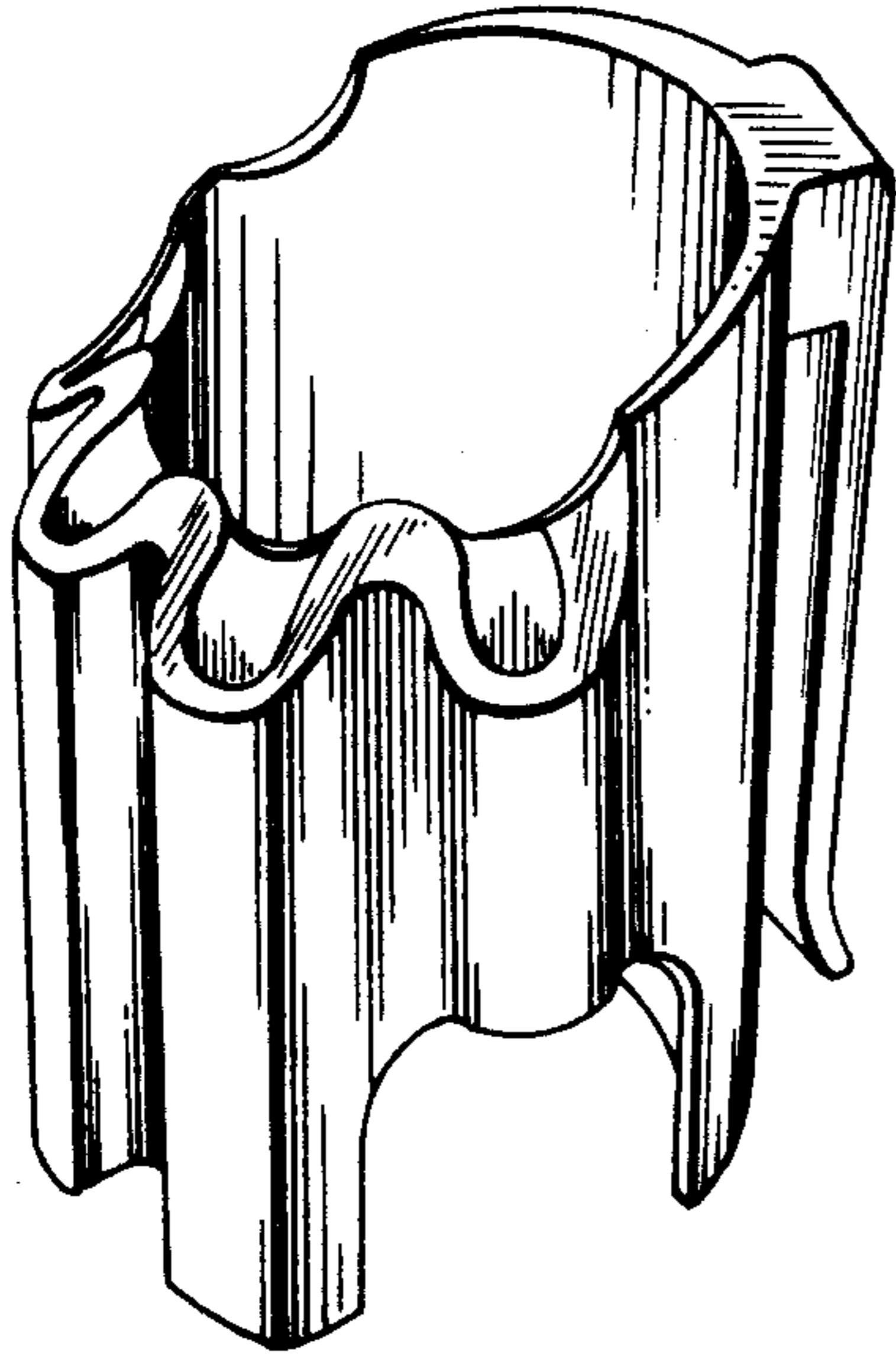


FIG. 1

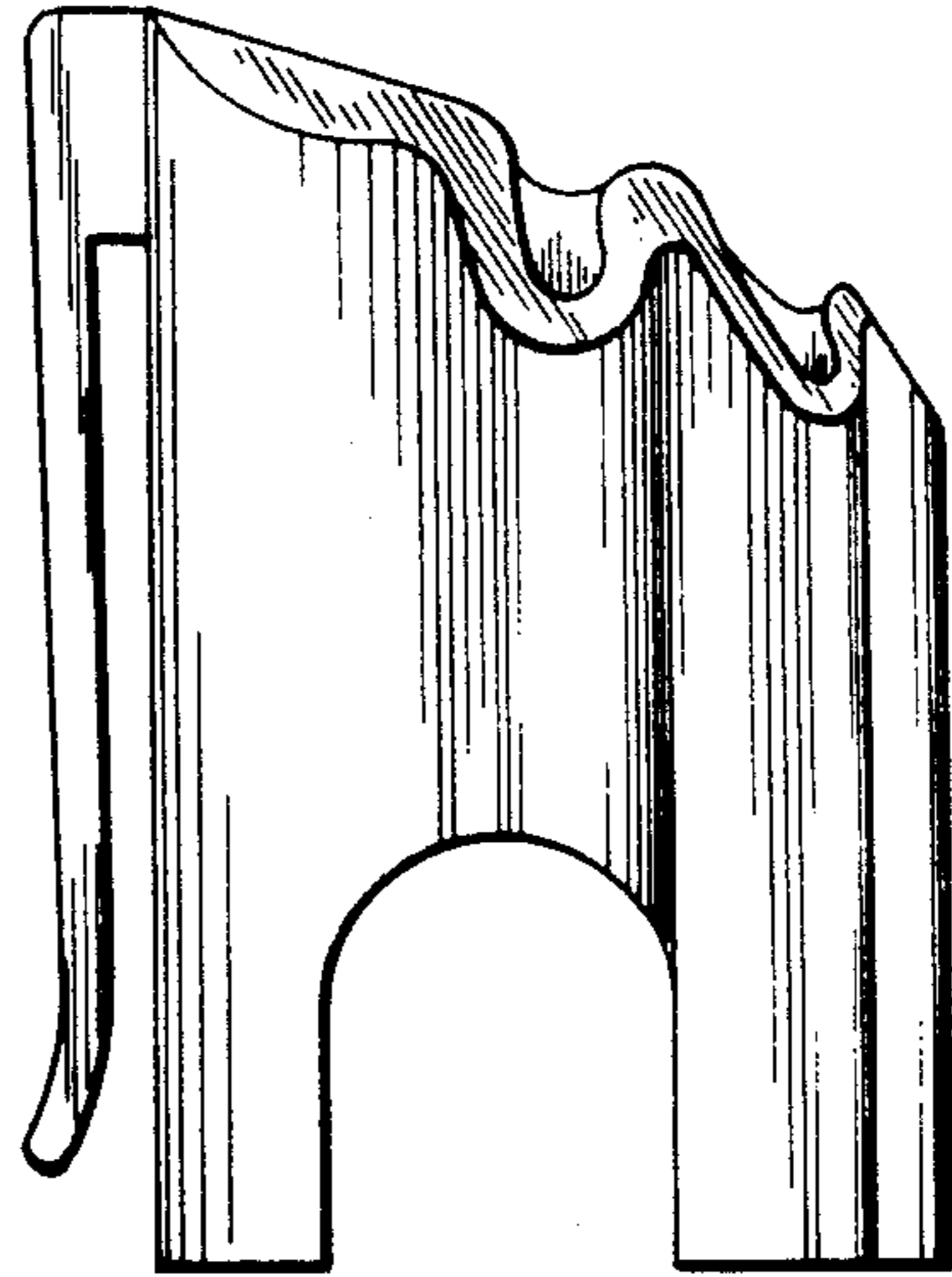


FIG. 2

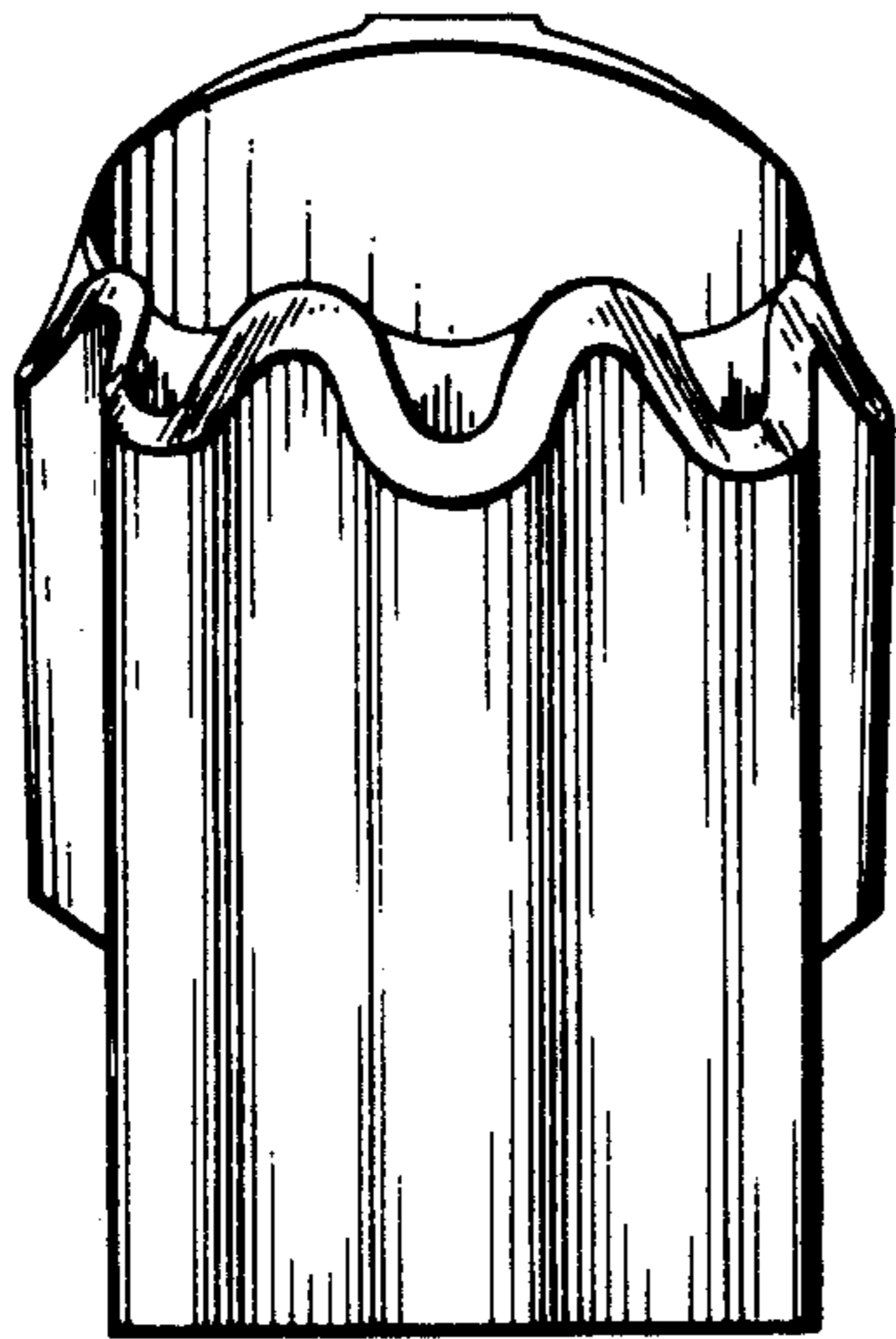


FIG. 3

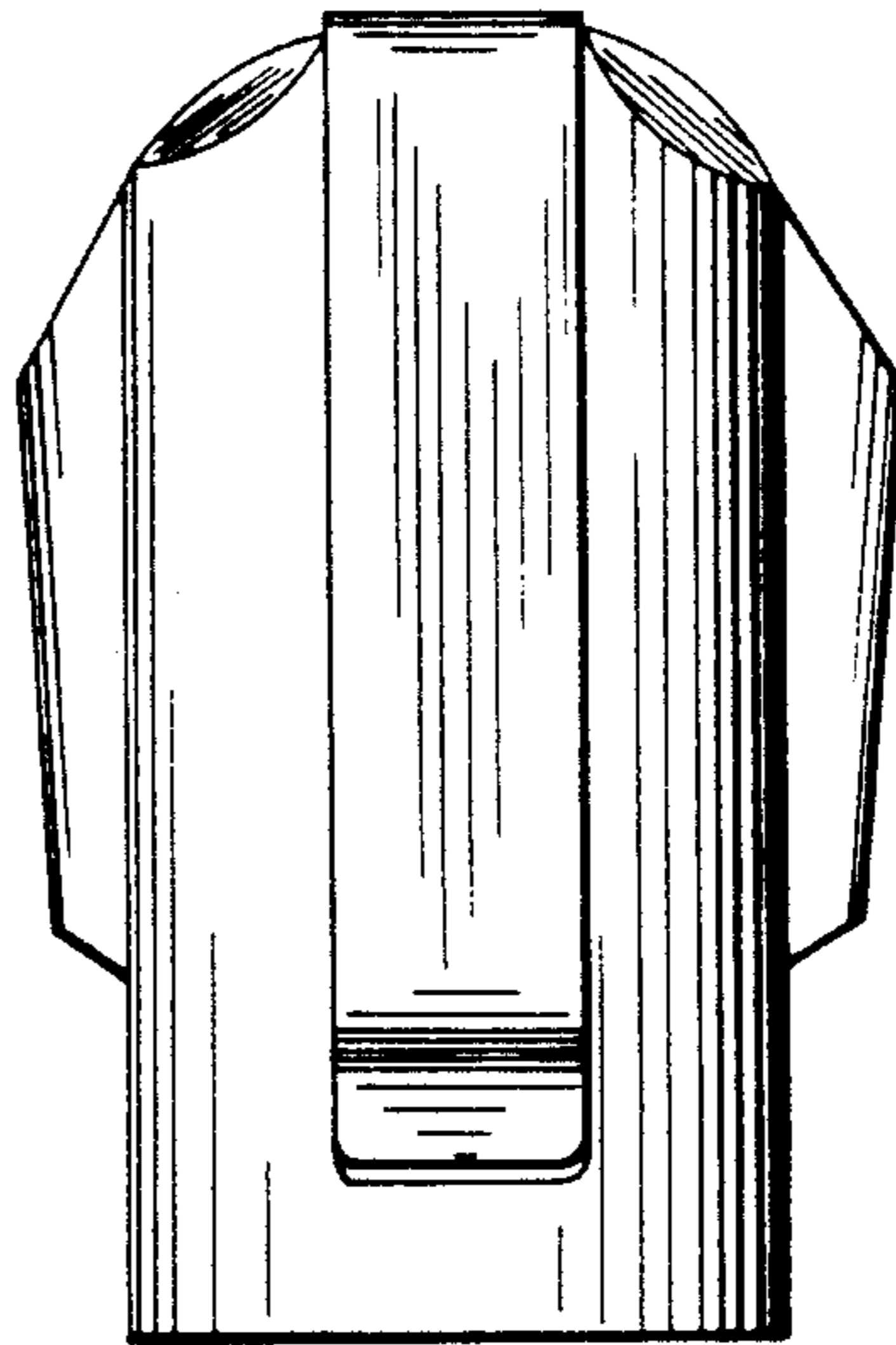


FIG. 4

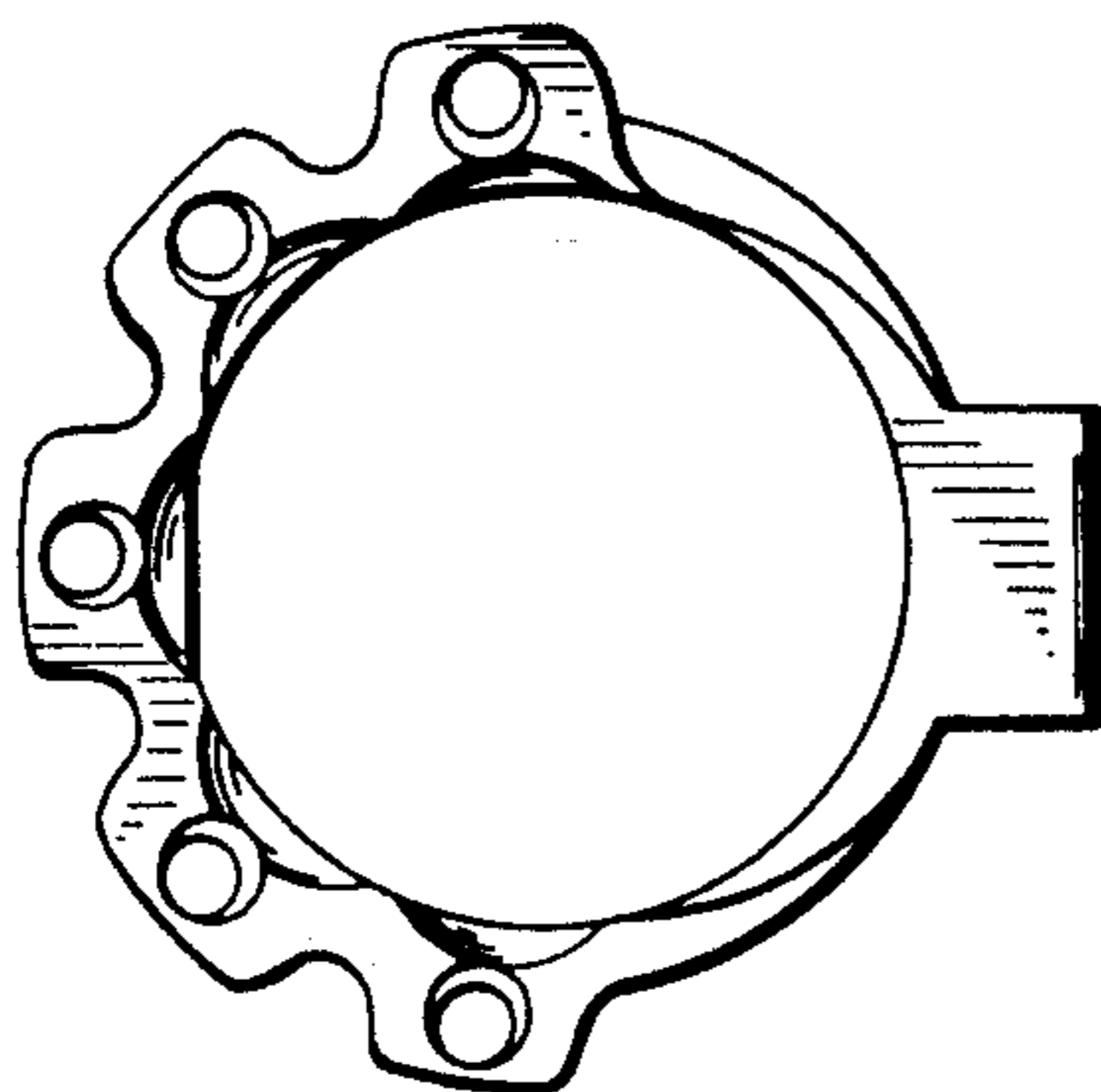


FIG. 5

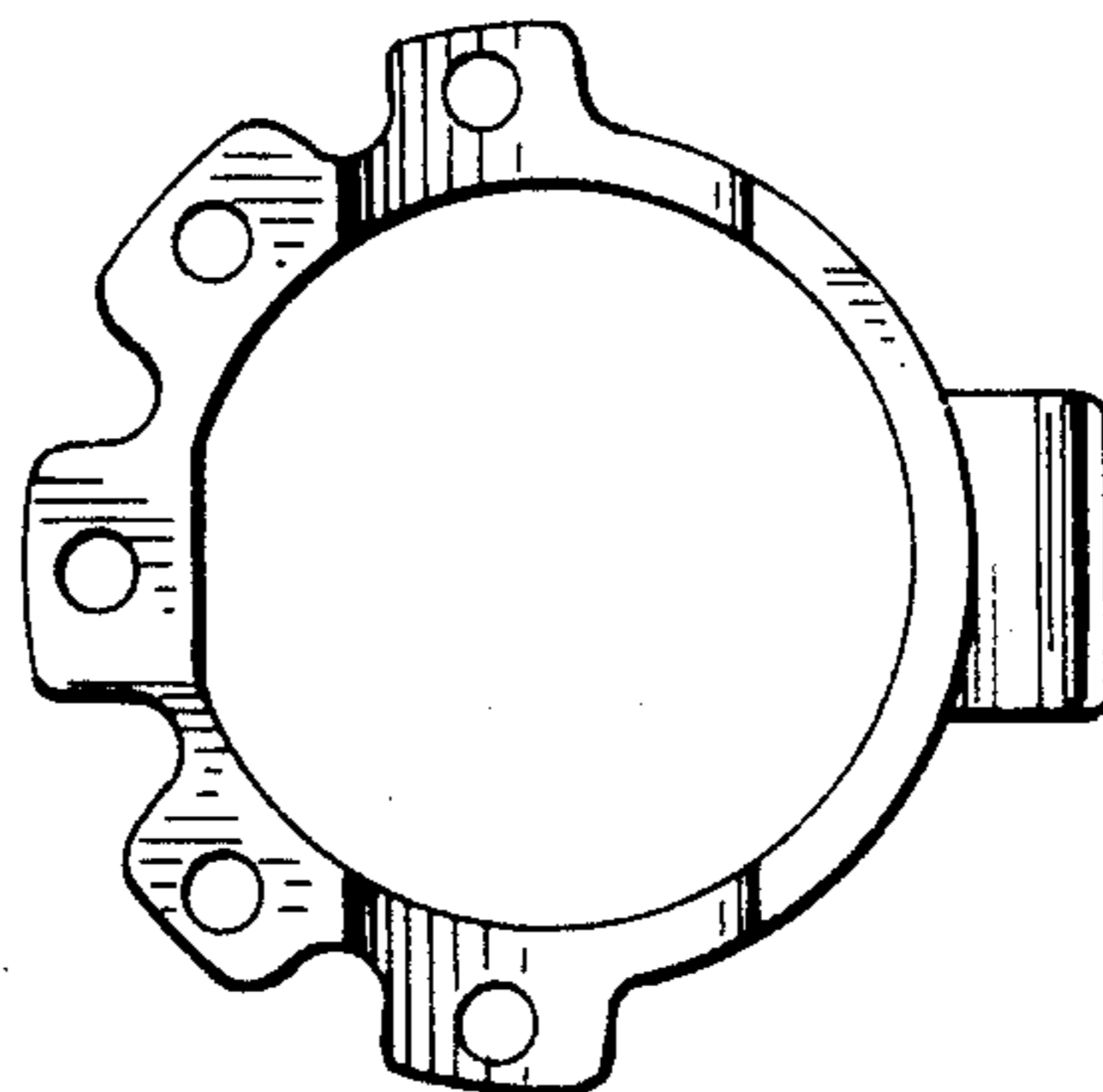


FIG. 6