

[54] SLIT LAMP  
[75] Inventor: Ortwin Müller, Lorch, Fed. Rep. of Germany

3,944,342 3/1976 Matinez ..... 351/7  
4,102,565 7/1978 Takizawa et al. .... 351/14  
4,125,320 11/1978 Rassow ..... 351/14

[73] Assignee: Carl Zeiss-Stiftung, Oberkochen, Fed. Rep. of Germany

[\*\*] Term: 14 Years

[21] Appl. No.: 870,738

[22] Filed: Jan. 19, 1978

[30] Foreign Application Priority Data  
Dec. 29, 1977 [DE] Fed. Rep. of Germany ..... 2860

[51] Int. Cl. .... D24-01

[52] U.S. Cl. .... D24/17; D24/1.1

[58] Field of Search ..... 351/3, 7, 14, 17, 24, 351/96; D24/17, 1.1

[56] References Cited

U.S. PATENT DOCUMENTS

D. 212,647 11/1968 Minas ..... D24/17

OTHER PUBLICATIONS

Optician, Dec. 5, 1975, p. 23, Rodenstock RO 2000, Slit Lamp.

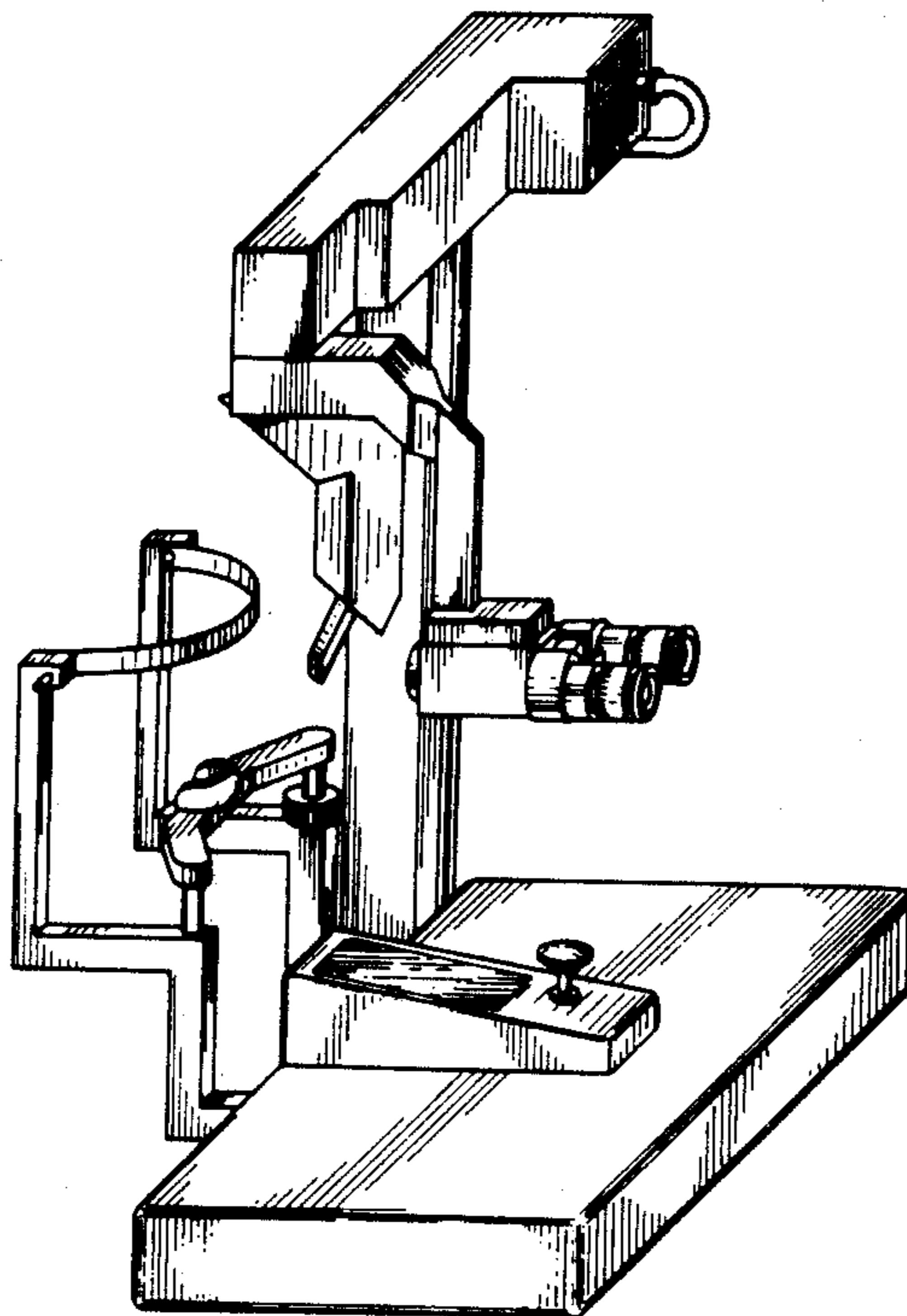
Primary Examiner—Bernard Ansher  
Attorney, Agent, or Firm—Hopgood, Calimafde, Kalil, Blaustein & Lieberman

[57] CLAIM

The ornamental design for a slit lamp, substantially as shown in the drawing.

DESCRIPTION

FIG. 1 is a side perspective of a slit lamp showing my new design;  
FIG. 2 is a front elevation thereof;  
FIG. 3 is an elevation as seen from the left of FIG. 2;  
FIG. 4 is an elevation as seen from the right of FIG. 2;  
FIG. 5 is a rear elevation thereof; and  
FIG. 6 is a top plan view thereof.



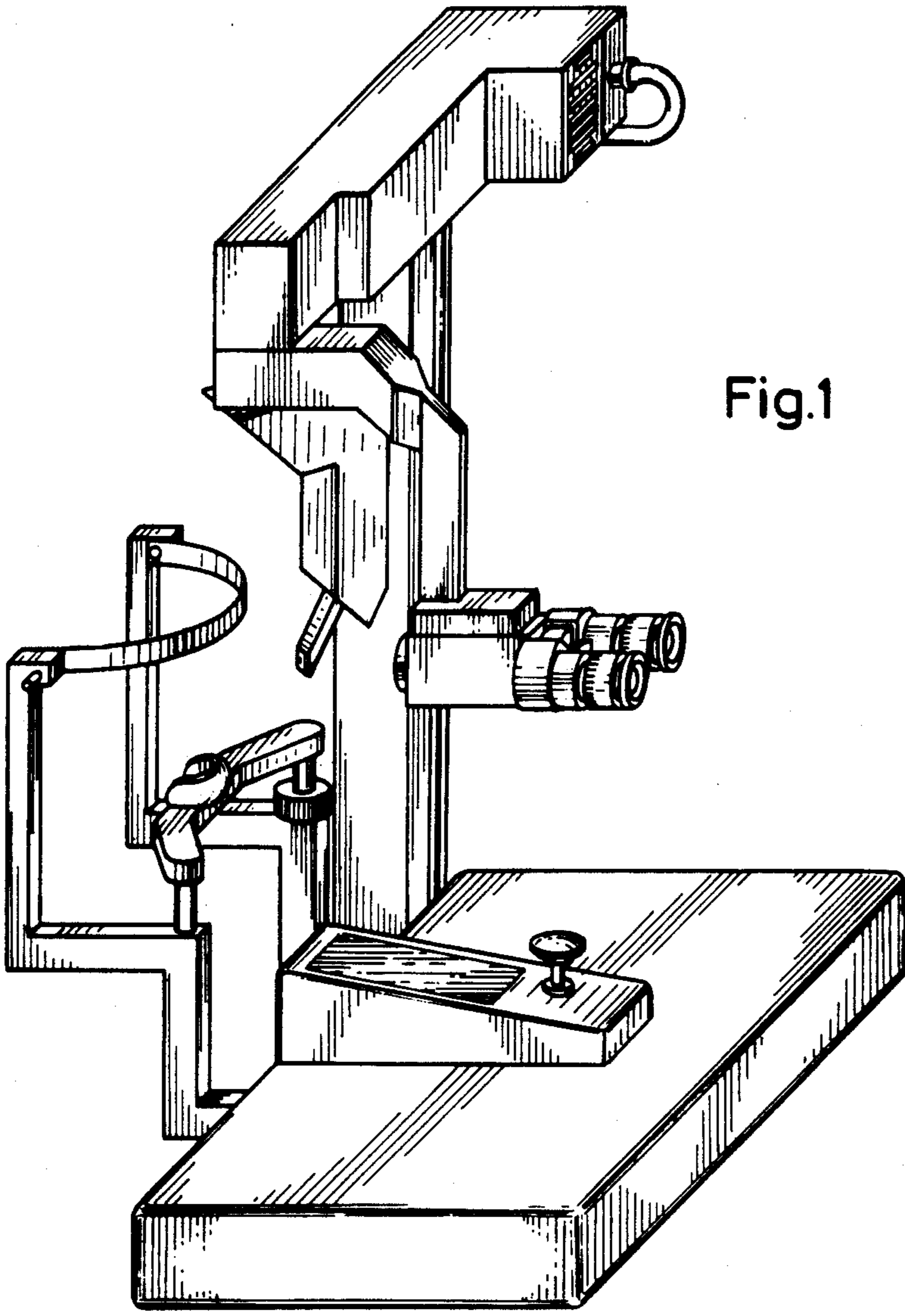
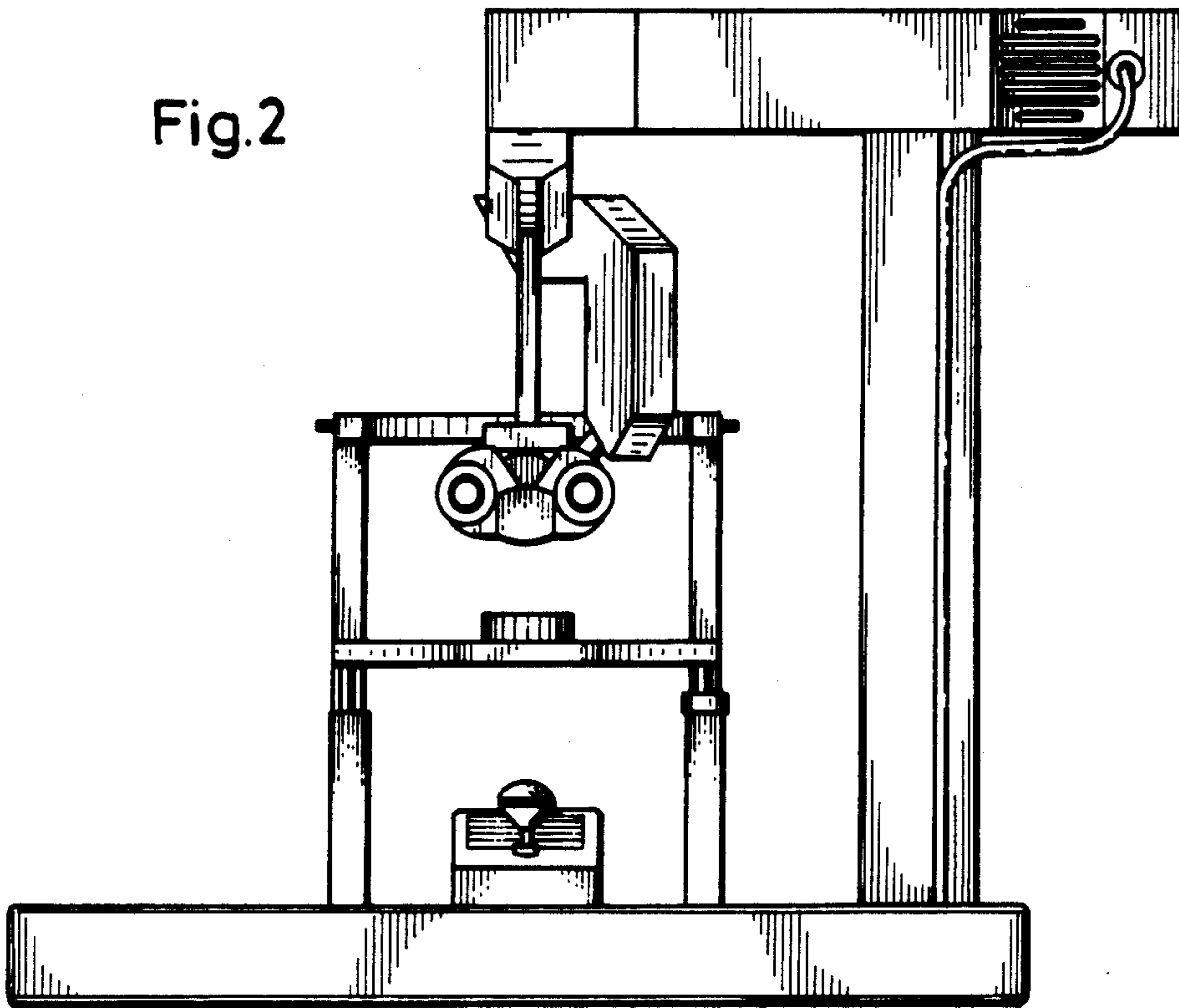
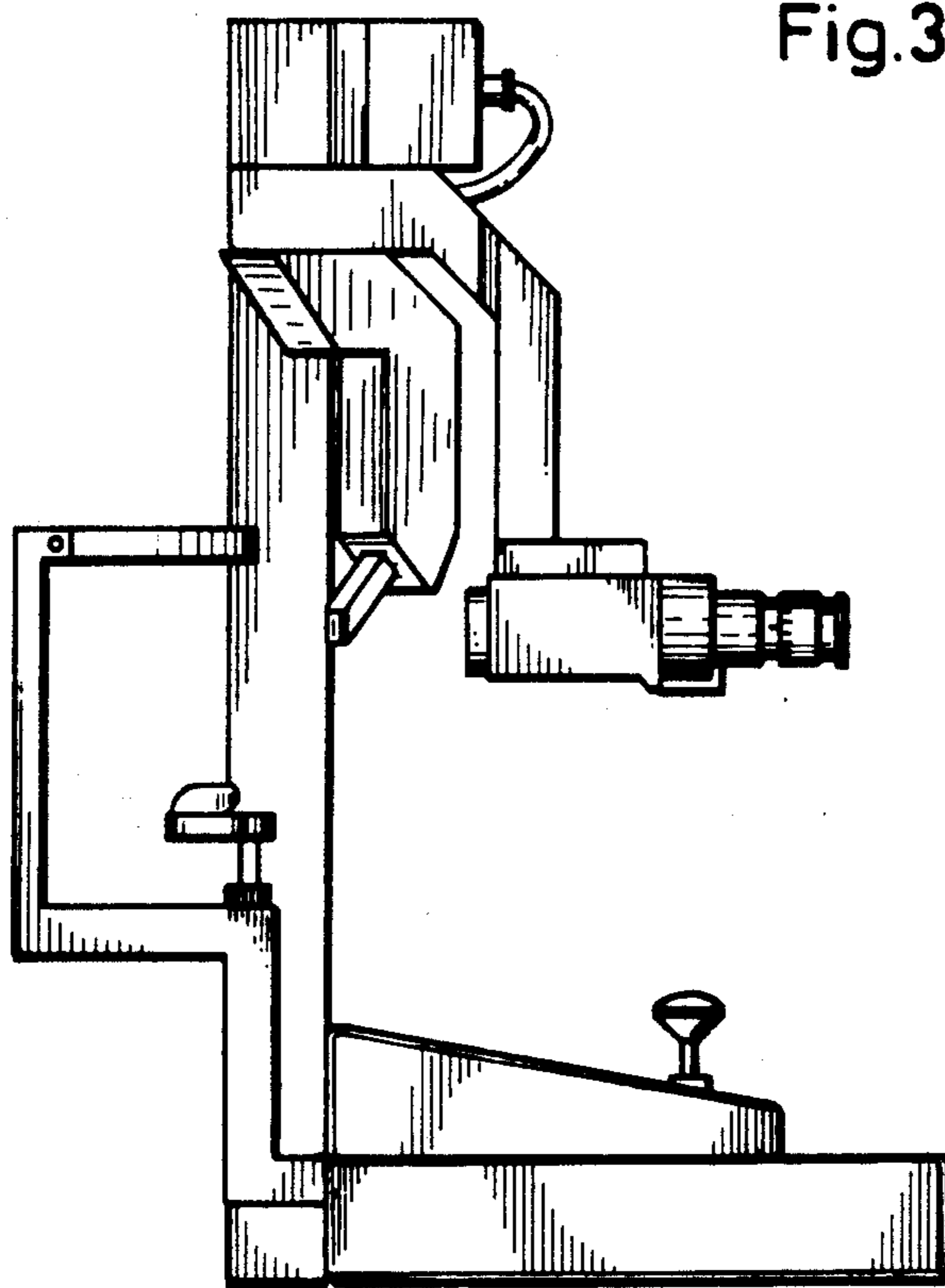


Fig.1

Fig.2





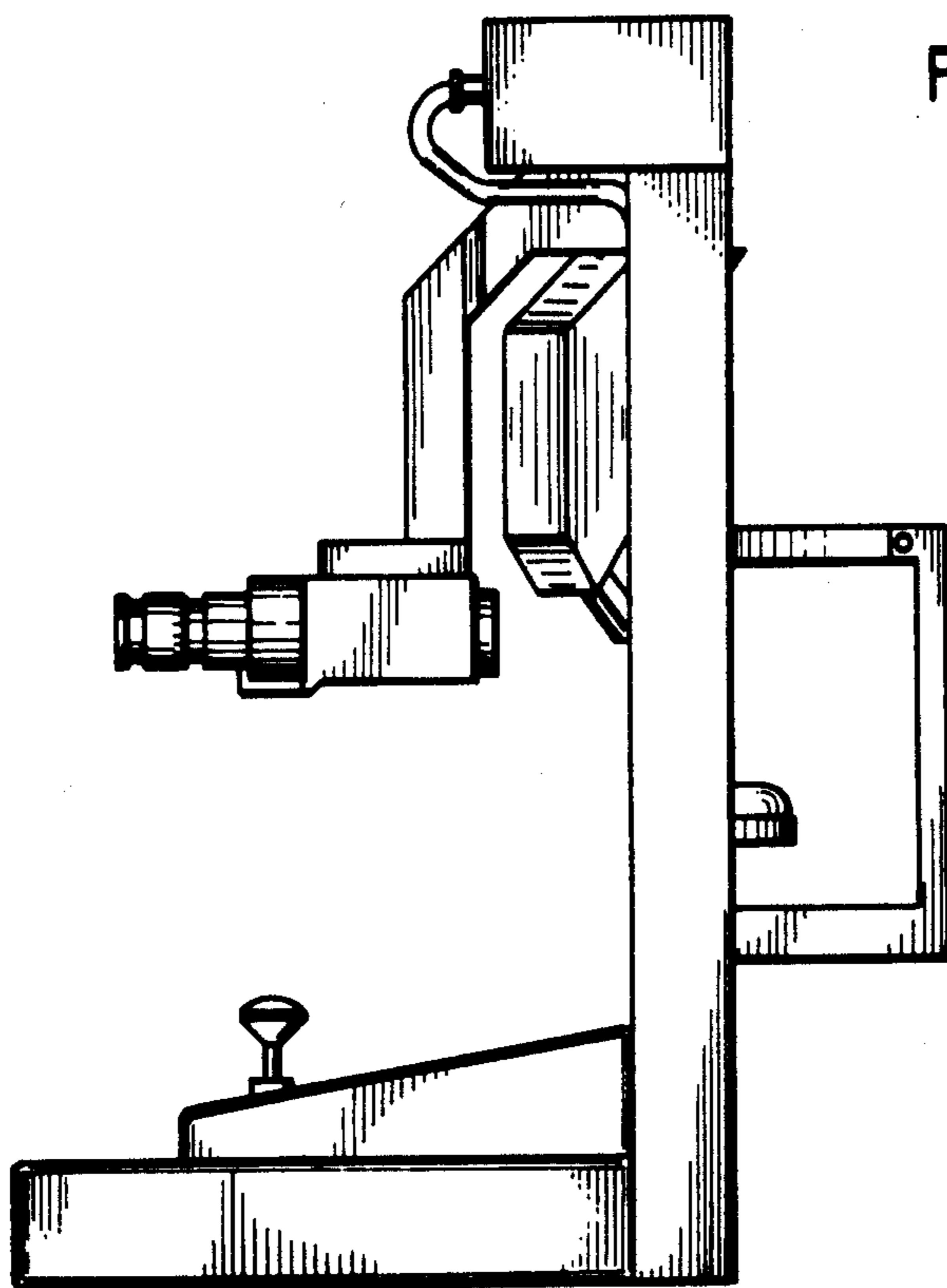


Fig. 4

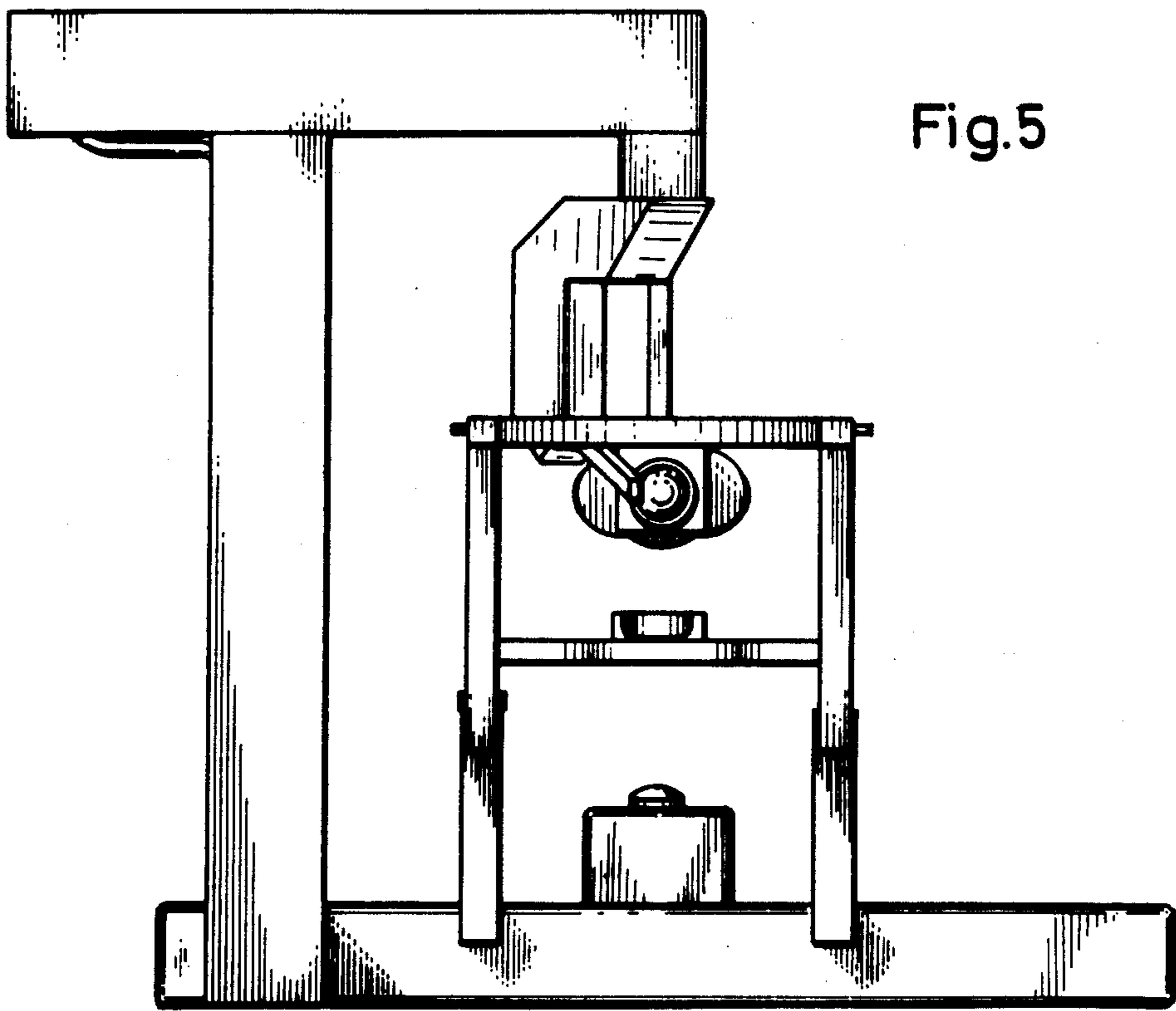


Fig.5

Fig. 6

