

[54] TOY AIRPLANE

[75] Inventor: Ladislav Havranek, Im Roggebode 5, 5400 Baden, Switzerland

[73] Assignees: Ladislav Havranek, Baden; Werner W. Kleeman, Thalwil, both of Switzerland

[**] Term: 14 Years

[21] Appl. No.: 809,126

[22] Filed: Jun. 22, 1977

[51] Int. Cl. D21-01

[52] U.S. Cl. D21/87

[58] Field of Search D34/15 HH, 15 HS; 46/74 R, 76 R, 76 A, 78; 272/31 A; D12/71, 80; D21/87

[56]

References Cited

U.S. PATENT DOCUMENTS

| | | | |
|------------|--------|---------------------|-----------|
| D. 214,597 | 7/1969 | Cathers et al. | D12/71 |
| D. 246,866 | 1/1978 | Loomis | D34/15 HH |
| 2,398,391 | 4/1946 | Orkin | D34/15 HH |

Primary Examiner—Joel Stearman
Assistant Examiner—Charles A. Rademaker
Attorney, Agent, or Firm—Werner W. Kleeman

[57]

CLAIM

The ornamental design for a toy airplane, as shown and described.

DESCRIPTION

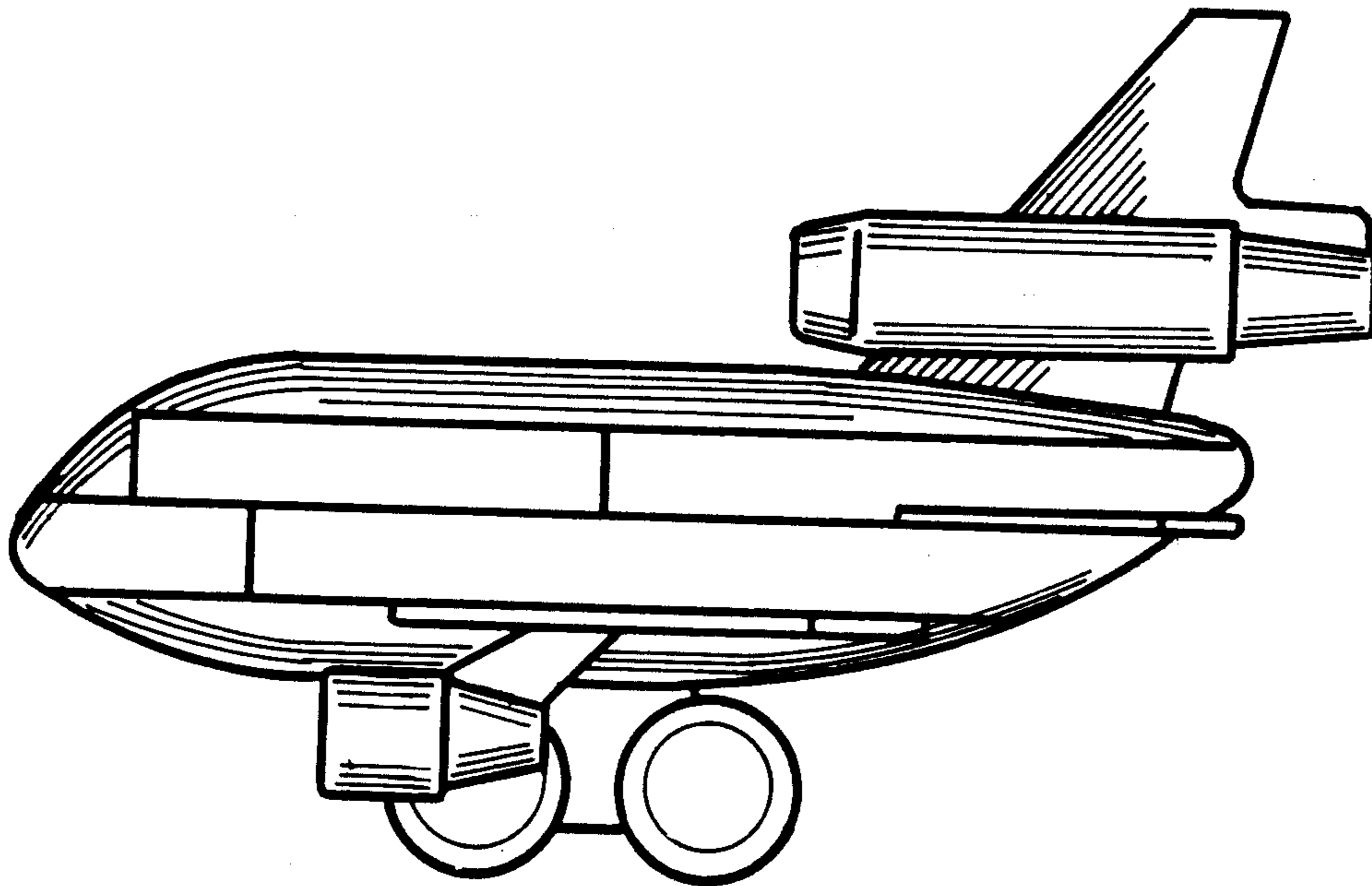
FIG. 1 is a side elevational view of a toy airplane showing my new design, the side opposite being a mirror image;

FIG. 2 is a top plan view thereof;

FIG. 3 is a bottom plan view thereof;

FIG. 4 is a front elevational view thereof; and,

FIG. 5 is a rear elevational view thereof.



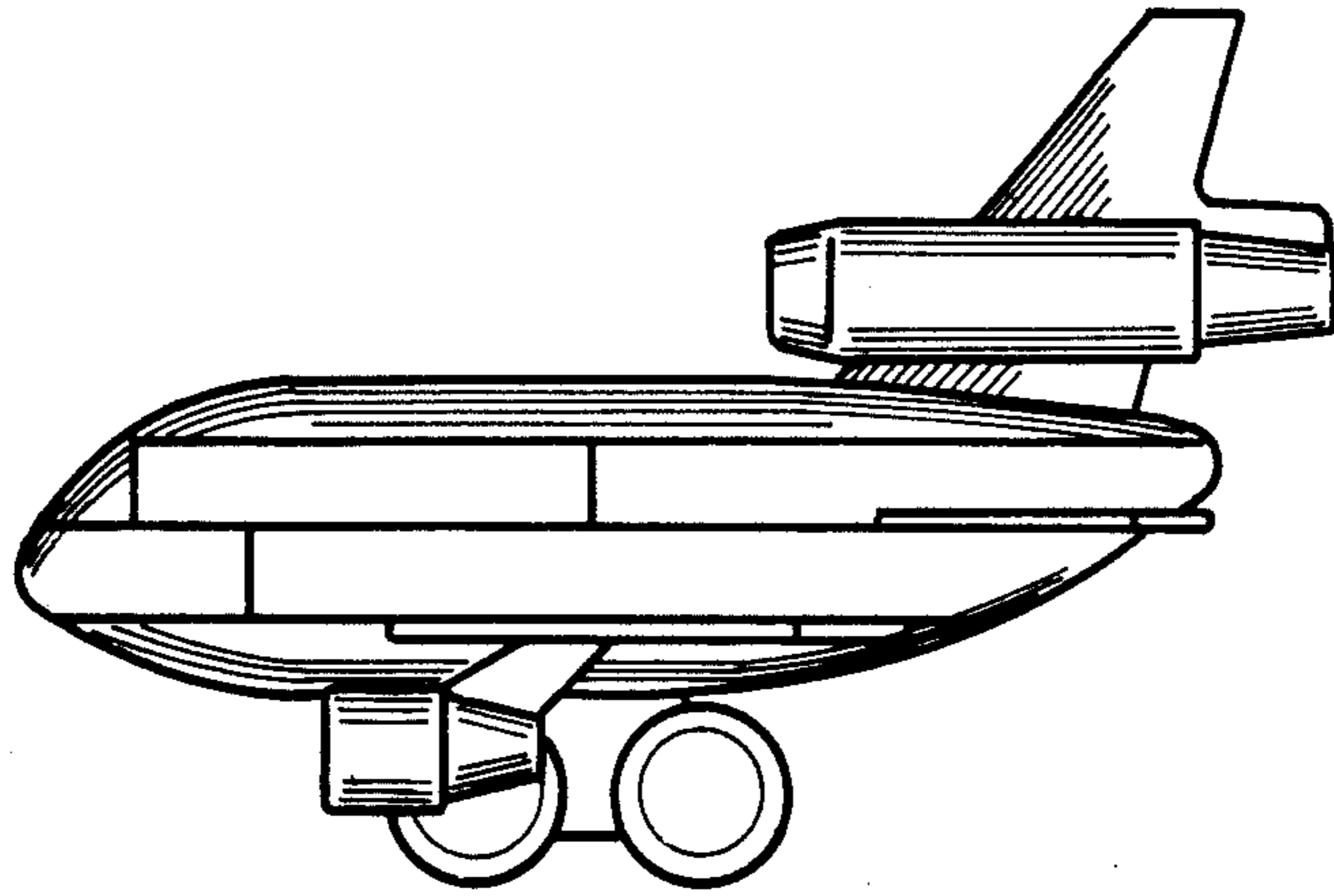


FIG. 1

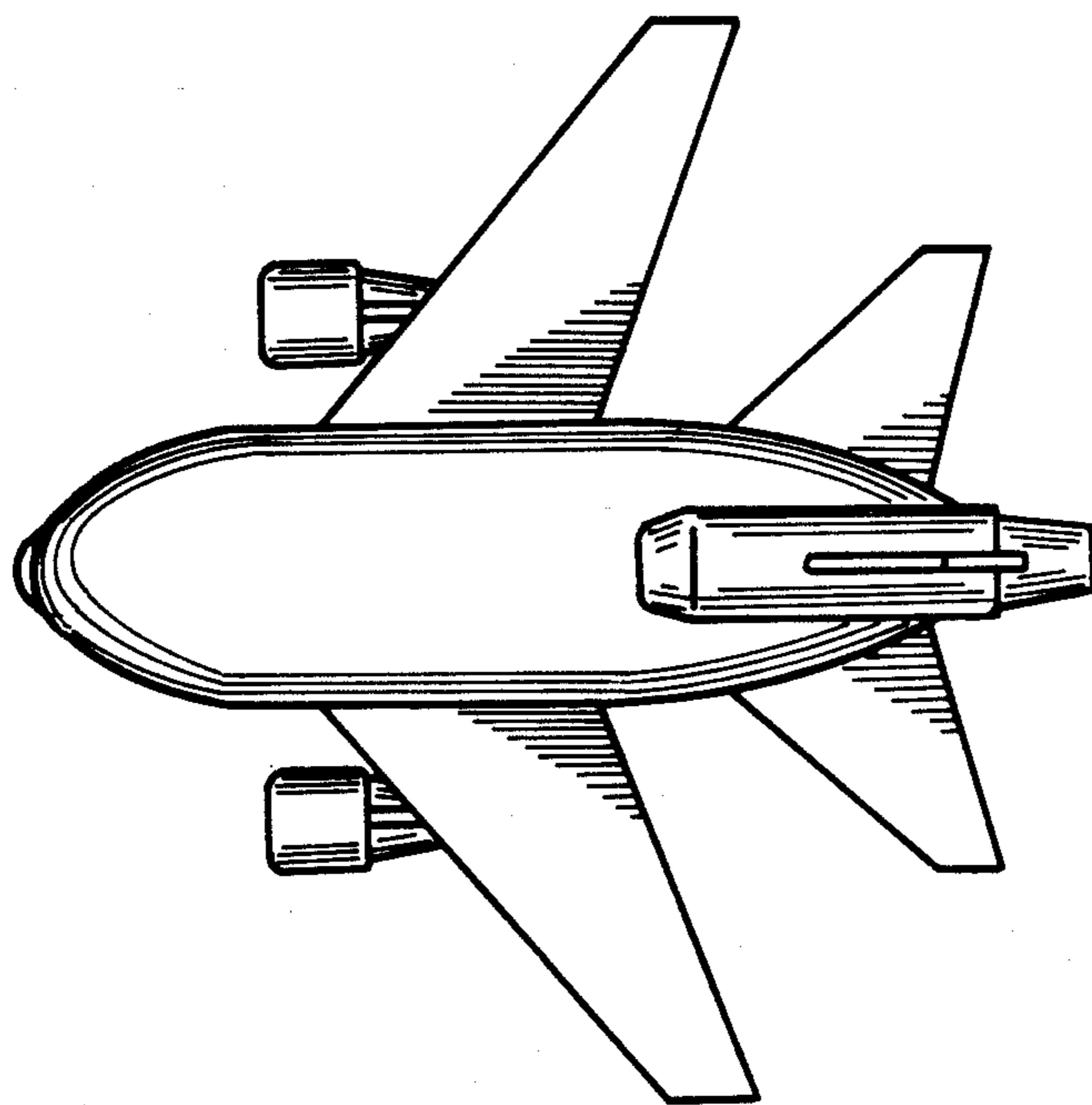


FIG. 2

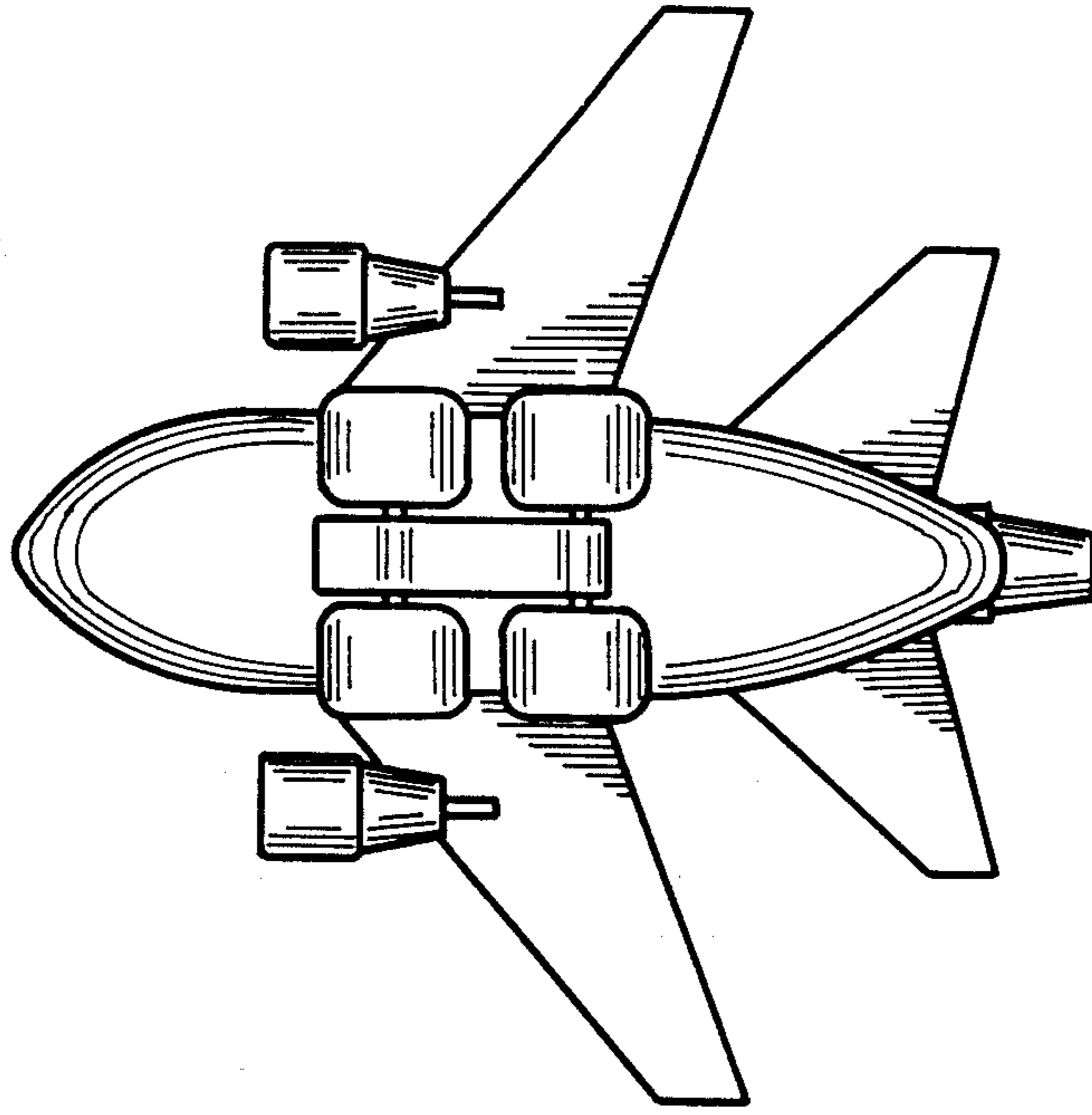


FIG. 3

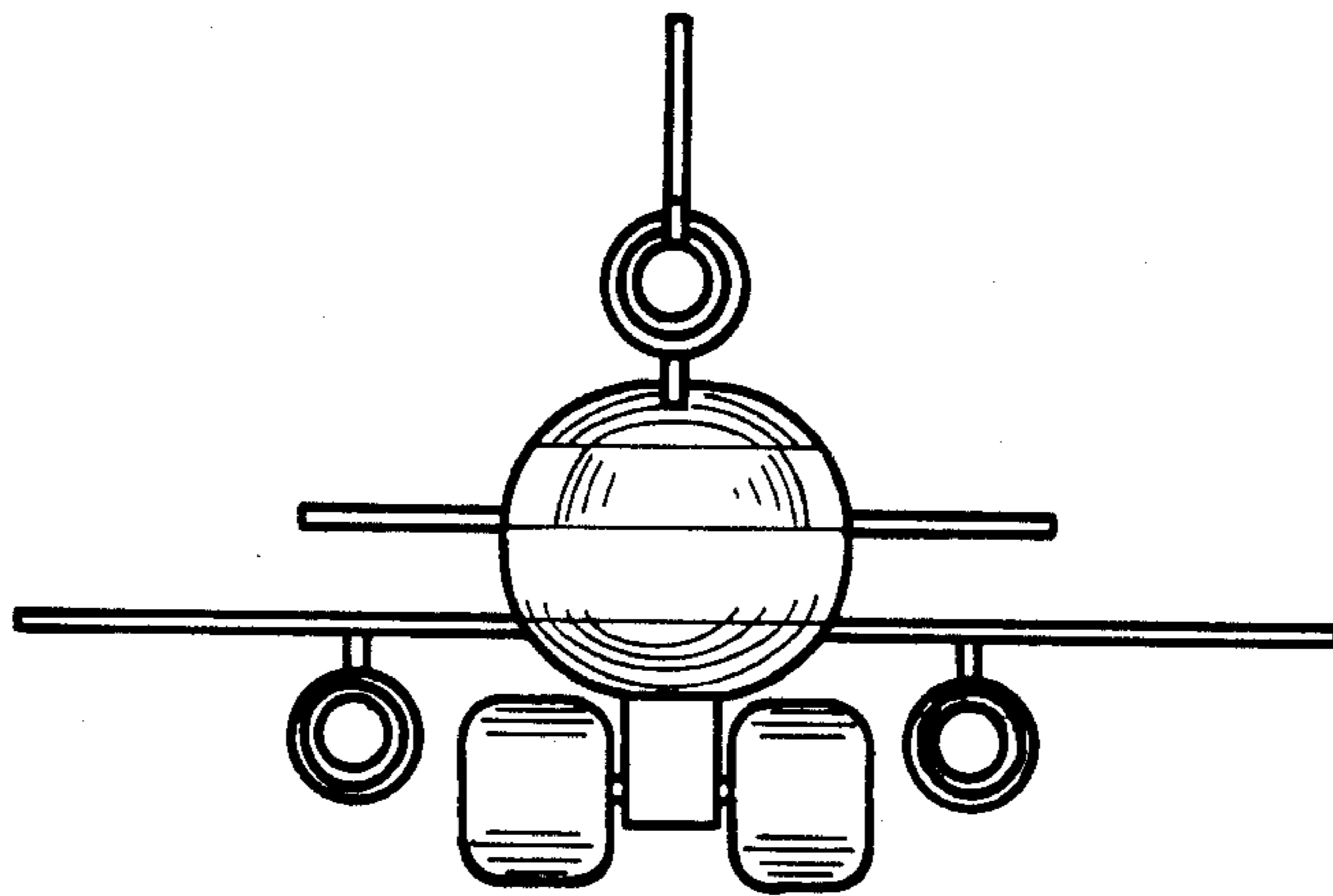


FIG. 4

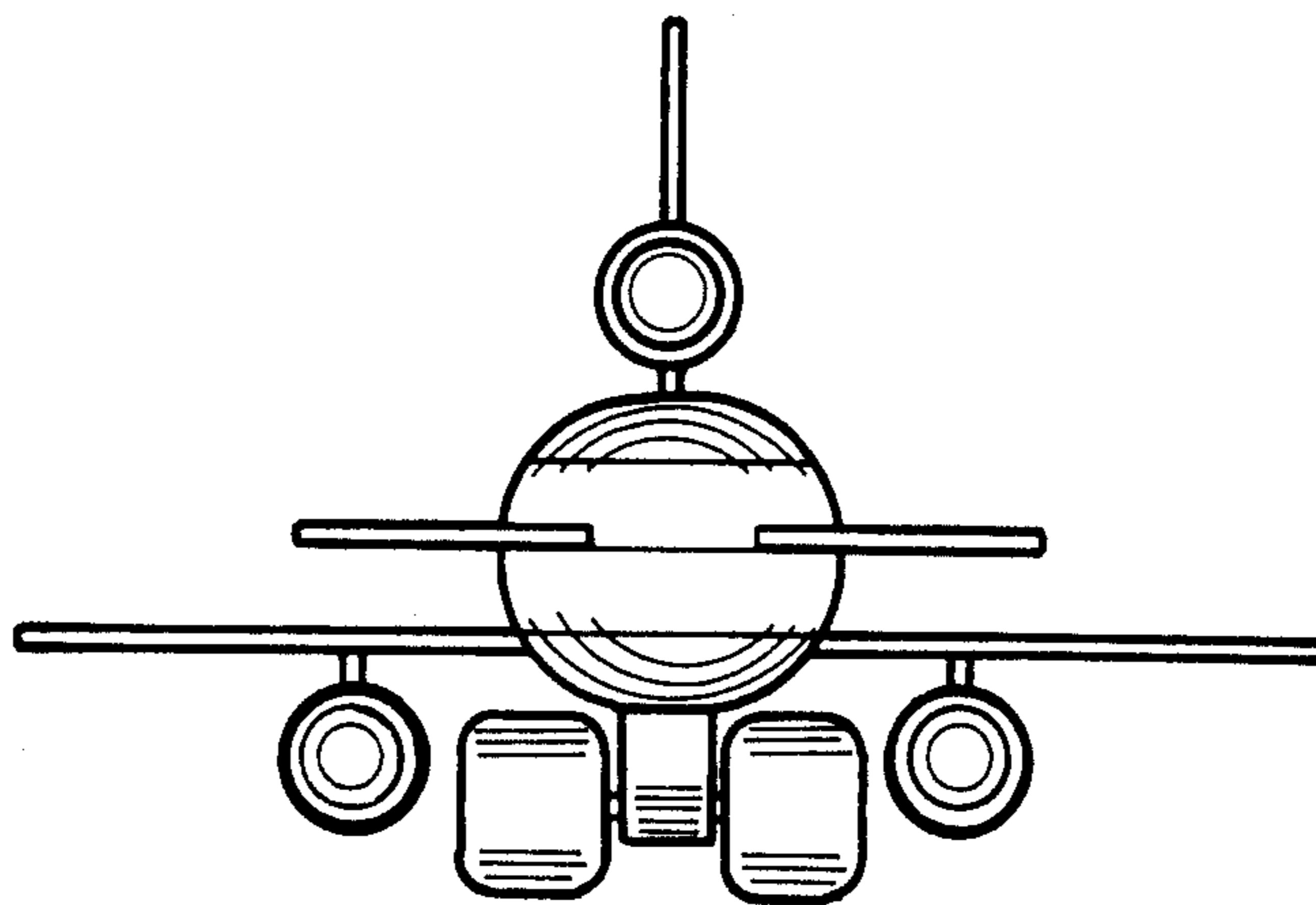


FIG. 5