

[54] DEMONSTRATION DEVICE OR THE LIKE

[76] Inventor: Noel E. Council, 3504 Woodlawn Dr., Raleigh, N.C. 27609

[**] Term: 14 Years

[21] Appl. No.: 869,387

[22] Filed: Jan. 13, 1978

[51] Int. Cl. D21-01

[52] U.S. Cl. D21/59; D19/62

[58] Field of Search D34/15 M, 15 R; D19/59, D19/62; 35/13, 49; 74/62

[56] References Cited

U.S. PATENT DOCUMENTS

D. 222,946 2/1972 Knox D34/15 M
3,032,893 5/1962 Debeh 35/13

OTHER PUBLICATIONS

House Beautiful, Nov. 1962, p. 160, "Whatsit".

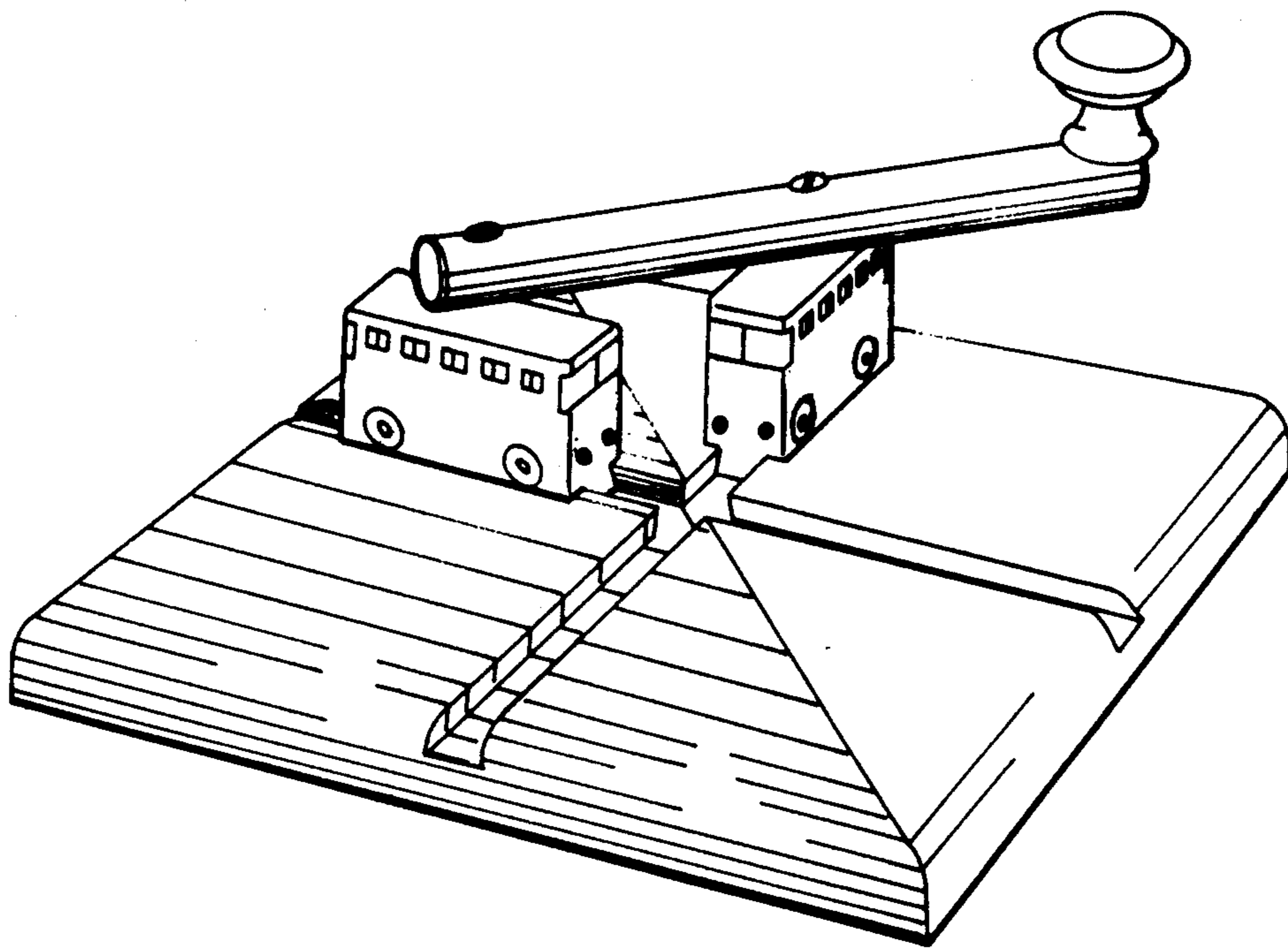
Primary Examiner—Melvin B. Feifer
Attorney, Agent, or Firm—John G. Mills, III

[57] CLAIM

The ornamental design for a demonstration device or the like, as shown.

DESCRIPTION

FIG. 1 is a perspective view of my demonstration device or the like showing my new design; FIG. 2 is a top plan view of such design; FIG. 3 is a side elevational view of the same; FIG. 4 is a side elevational view of the same taken opposite FIG. 3; FIG. 5 is a side elevational view taken from the left of FIG. 3; and FIG. 6 is a side elevational view taken from the side opposite FIG. 5.



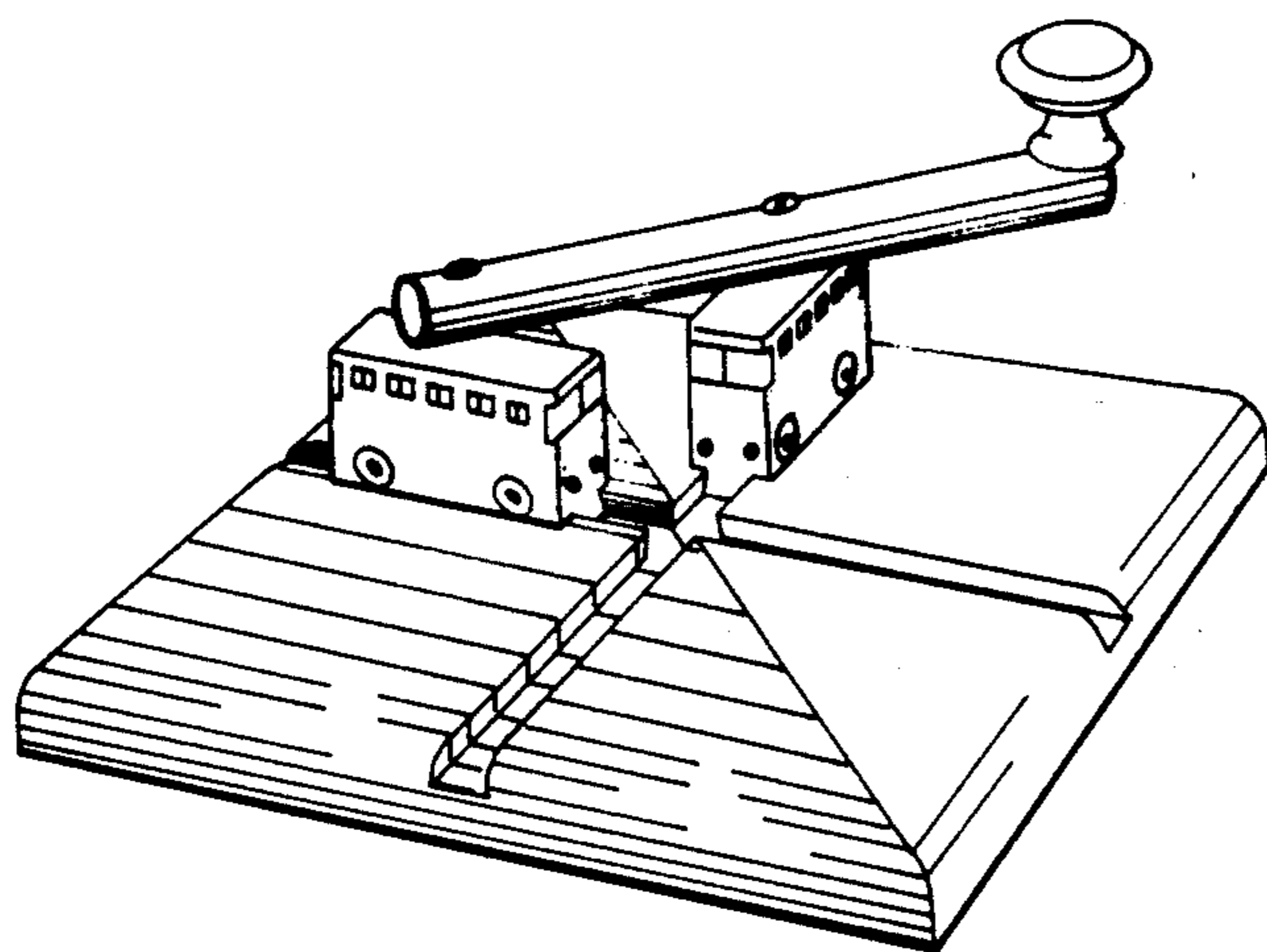


FIG. 1

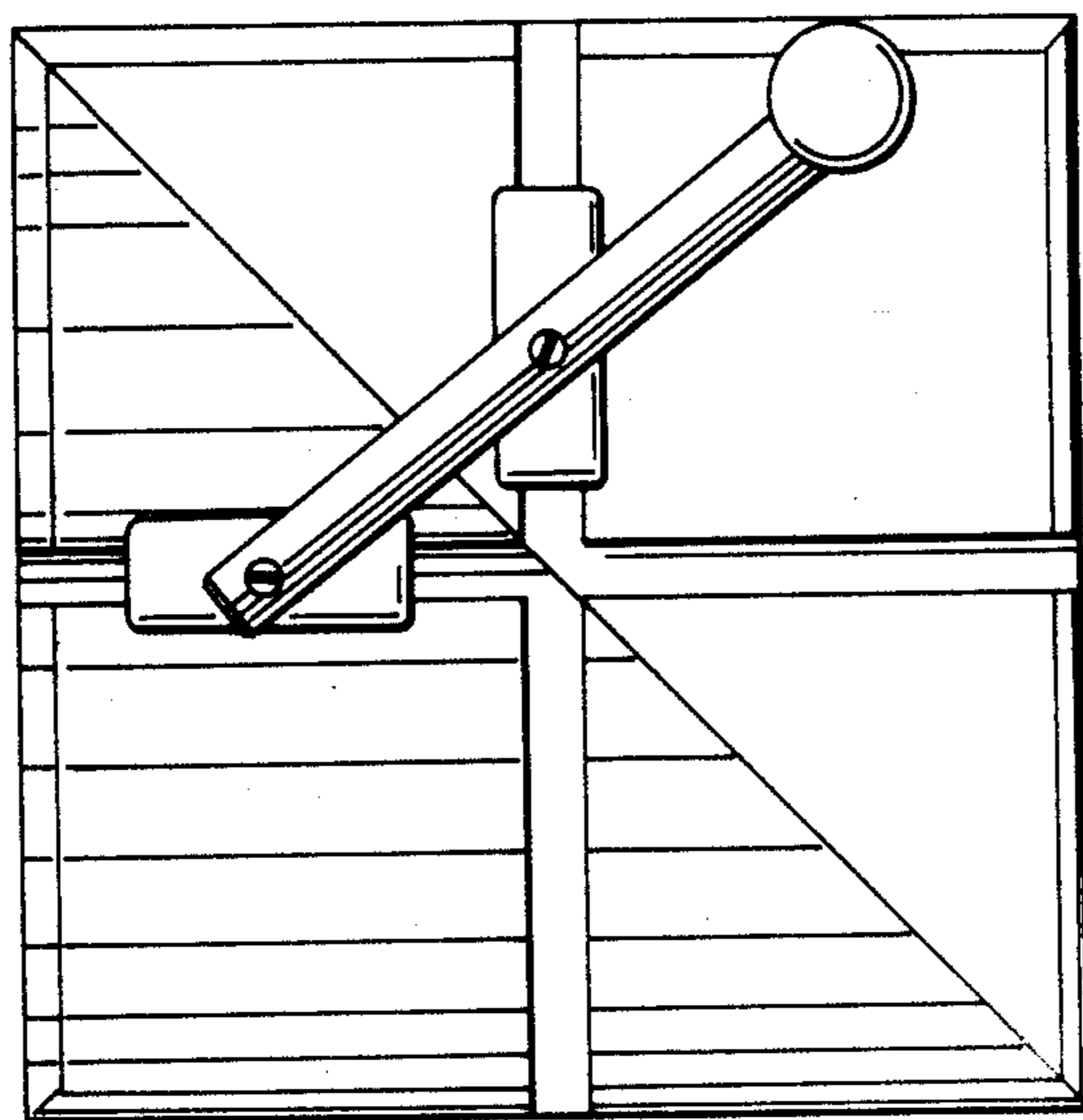


FIG. 2

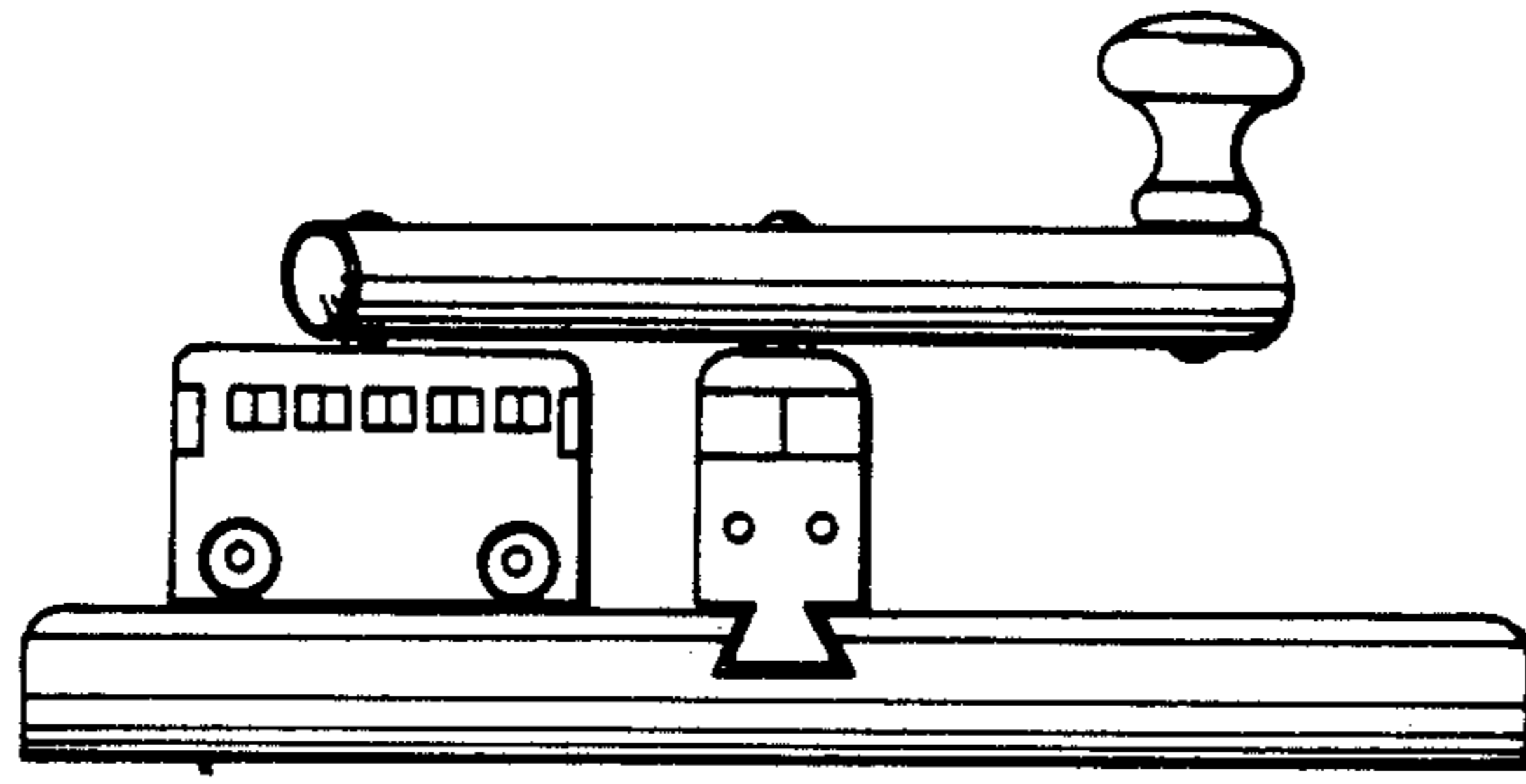


FIG. 3

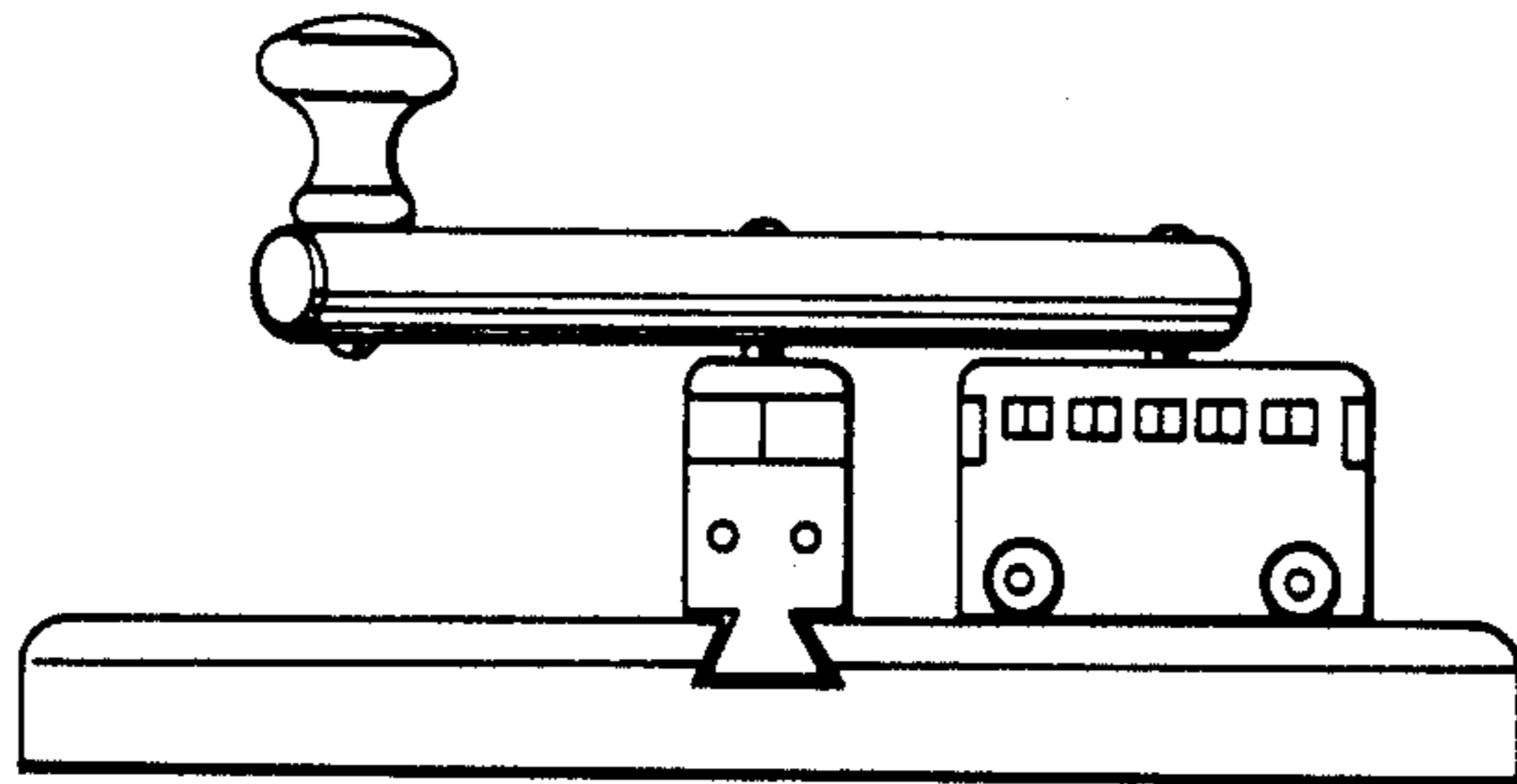


FIG. 4

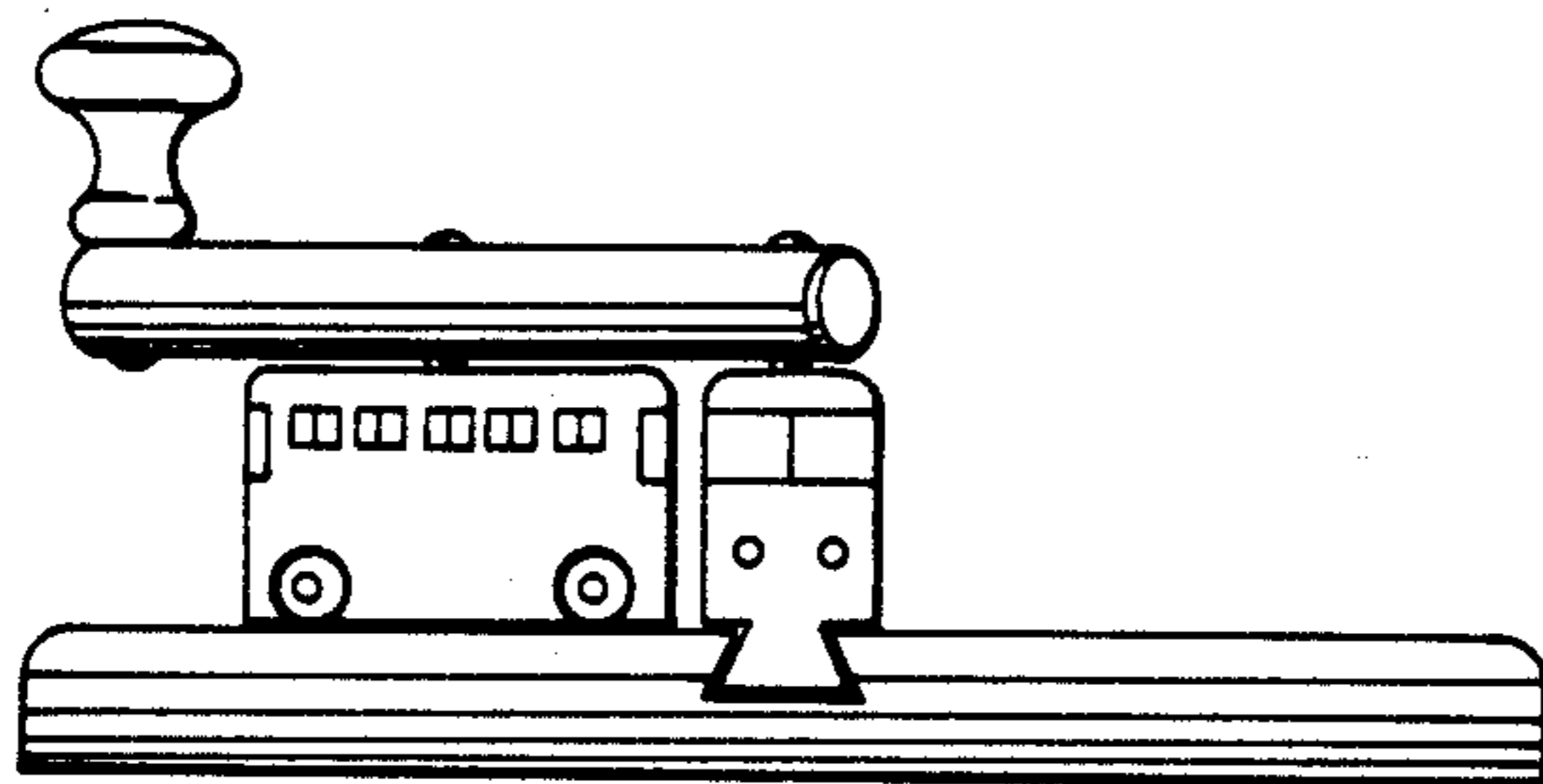


FIG. 5

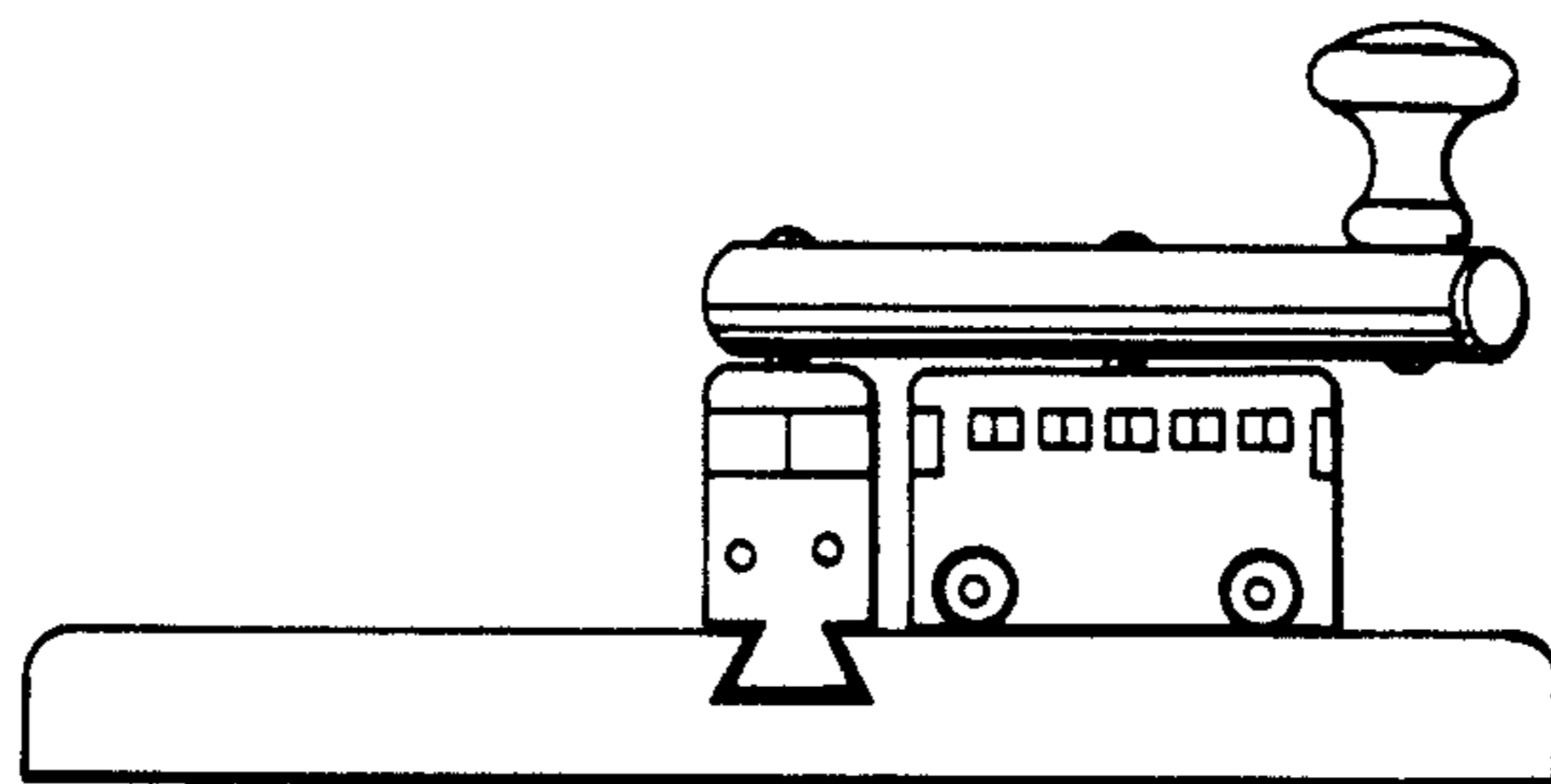


FIG. 6