

[54] COMBINED HEADPHONE AND RADIO

[75] Inventor: Gilbert K. Lung, Kowloon, Hong Kong

[73] Assignee: Sonway Manufacturers Ltd., Kowloon, Hong Kong

[\*\*] Term: 14 Years

[21] Appl. No.: 848,542

[22] Filed: Nov. 4, 1977

[30] Foreign Application Priority Data

Oct. 4, 1977 [GB] United Kingdom ..... 981781/77

[51] Int. Cl. .... D14-03

[52] U.S. Cl. .... D14/36; D14/68

[58] Field of Search ..... D14/1, 36, 37, 39, 68, D14/76, 99

[56] References Cited

U.S. PATENT DOCUMENTS

D. 244,037 4/1977 Warner et al. .... D14/36  
D. 246,242 11/1977 Bellini ..... D14/36

OTHER PUBLICATIONS

Radio Shack Cat. #289, p. 134, Archer Headset Radios.

Primary Examiner—Joel Stearman

Assistant Examiner—Jane E. Corrigan

Attorney, Agent, or Firm—Townsend and Townsend

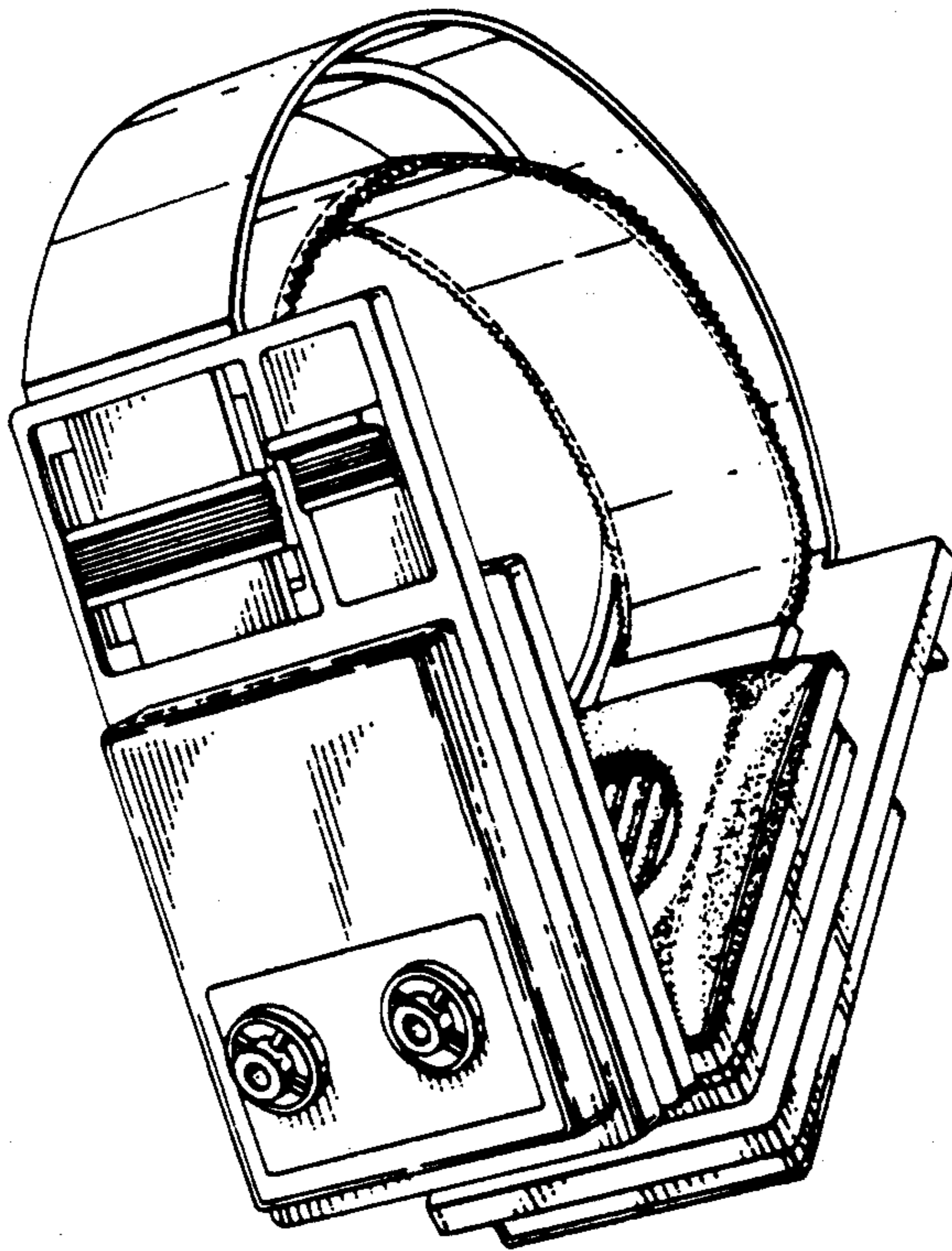
[57] CLAIM

The ornamental design for a combined headphone and radio, as shown.

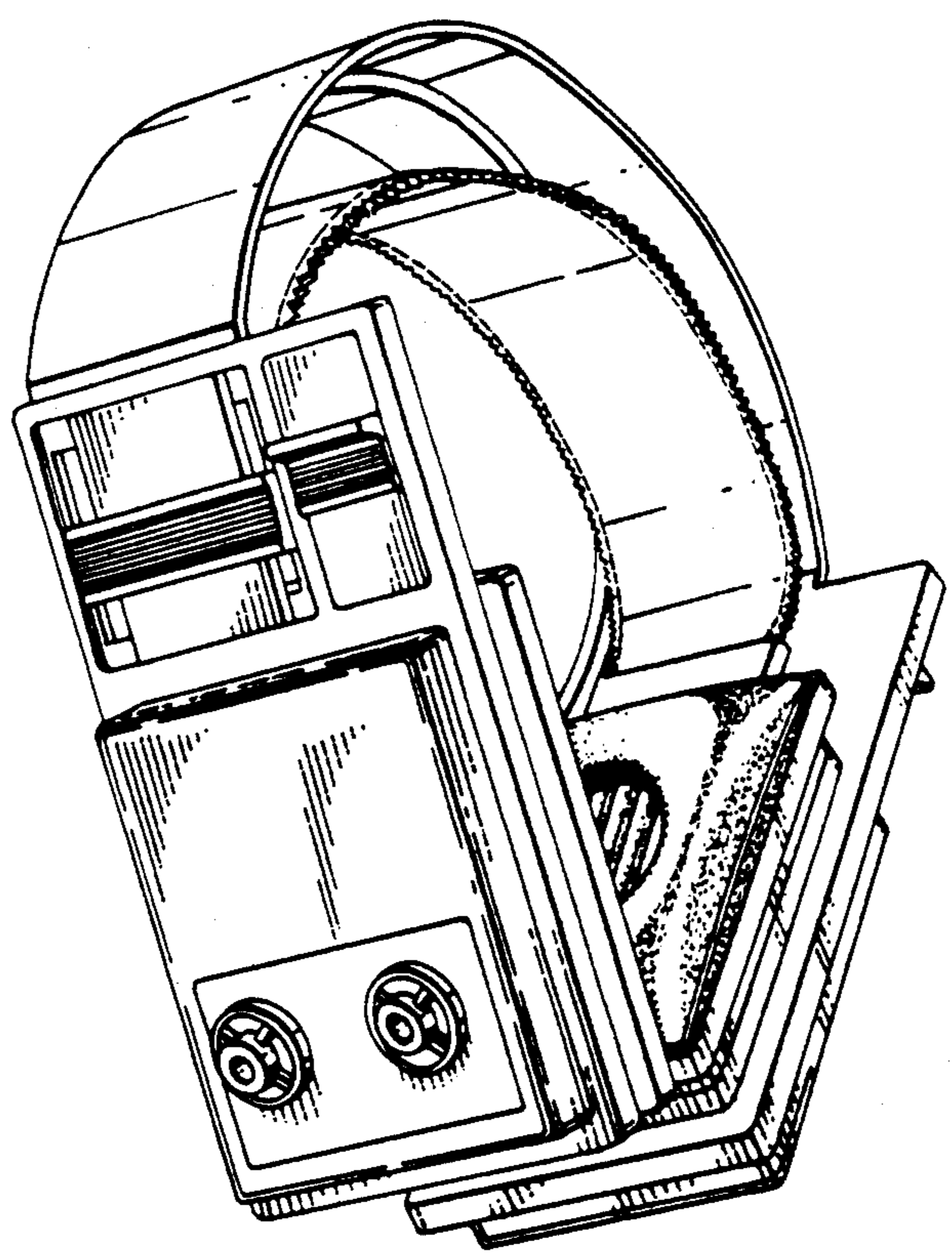
DESCRIPTION

FIG. 1 is a front and left side perspective view of a combined headphone and radio showing my new design;

FIG. 2 is a front and right side perspective view; and FIG. 3 is a top perspective view.



*FIG. 1*



*FIG. 2*

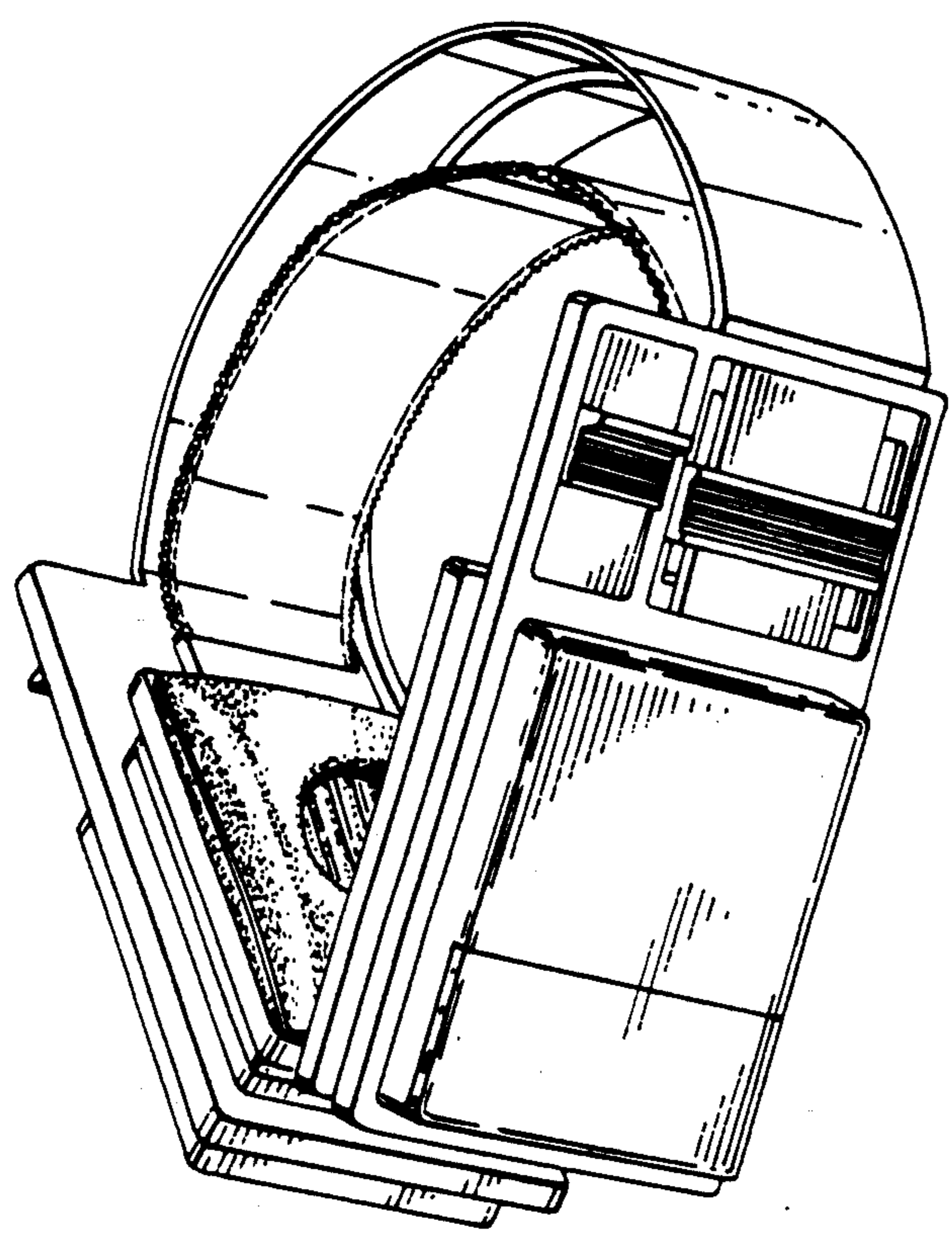


FIG. 3.

