

[54] SWITCH

[75] Inventor: Minoru Sano, Yokosuka, Japan

[73] Assignee: Fujisoku Electric Co., Ltd.,
Kawasaki, Japan

[**] Term: 14 Years

[21] Appl. No.: 928,009

[22] Filed: Jul. 25, 1978

[30] Foreign Application Priority Data

May 19, 1978 [JP]	Japan	53-20181
May 19, 1978 [JP]	Japan	53-20182
May 19, 1978 [JP]	Japan	53-20183
May 19, 1978 [JP]	Japan	53-20184
May 19, 1978 [JP]	Japan	53-20185
Jun. 7, 1978 [JP]	Japan	53-23349

[51] Int. Cl. D13-03

[52] U.S. Cl. D13/37

[58] Field of Search D13/32, 33, 34, 37;
200/5 R, 5 A, 5 D, 5 E, 5 F, 6 R, 6 A, 17 R, 153
G, 155 R, 159 R, 293, 299, 302, 303

[56] References Cited

U.S. PATENT DOCUMENTS

3,165,604	1/1965	Sorenson	200/6 R X
4,037,068	7/1977	Gaynor	200/5 F

FOREIGN PATENT DOCUMENTS

47-354029	8/1972	Japan	D13/37
47-236286-			
-2	10/1972	Japan	D13/37
50-390737(-			
2)	2/1975	Japan	D13/37

Primary Examiner—Susan J. Lucas

Attorney, Agent, or Firm—Frishauf, Holtz, Goodman
and Woodward

[57] CLAIM

The ornamental design for a switch, as shown and described.

DESCRIPTION

FIG. 1 is a front elevational view of a switch showing

my design, the rear elevational view being a mirror image thereof;

FIG. 2 is a right side elevational view thereof;

FIG. 3 is a left side elevational view thereof;

FIG. 4 is a top plan view thereof;

FIG. 5 is a bottom plan view thereof;

FIG. 6 is a front elevational view of a modified embodiment of the switch shown in FIG. 1, the rear elevational view being a mirror image thereof;

FIG. 7 is a right side elevational view thereof;

FIG. 8 is a left side elevational view thereof;

FIG. 9 is a top plan view thereof;

FIG. 10 is a bottom plan view thereof;

FIG. 11 is a front elevational view of a second modified embodiment of the switch shown in FIG. 1;

FIG. 12 is a right side elevational view thereof;

FIG. 13 is a left side elevational view thereof;

FIG. 14 is a top plan view thereof;

FIG. 15 is a bottom plan view thereof;

FIG. 16 is a rear elevational view thereof;

FIG. 17 is a front elevational view of a modified embodiment of the switch shown in FIG. 11;

FIG. 18 is a right side elevational view thereof;

FIG. 19 is a left side elevational view thereof;

FIG. 20 is a top plan view thereof;

FIG. 21 is a bottom plan view thereof;

FIG. 22 is a rear elevational view thereof;

FIG. 23 is a front elevational view of another modified embodiment of the switch shown in FIG. 1, the rear elevational view being a mirror image thereof;

FIG. 24 is a right side elevational view thereof;

FIG. 25 is a left side elevational view thereof;

FIG. 26 is a top plan view thereof;

FIG. 27 is a bottom plan view thereof;

FIG. 28 is a front elevational view of a modified embodiment of the switch shown in FIG. 23, the rear elevational view being a mirror image thereof;

FIG. 29 is a right side elevational view thereof;

FIG. 30 is a left side elevational view thereof;

FIG. 31 is a top plan view thereof;

FIG. 32 is a bottom plan view thereof;

FIG. 33 is a front elevational view of still another modified embodiment of the switch shown in FIG. 1, the rear elevational view being a mirror image thereof;

FIG. 34 is a right side elevational view thereof;

FIG. 35 is a left side elevational view thereof;

FIG. 36 is a top plan view thereof;
FIG. 37 is a bottom plan view thereof;
FIG. 38 is a front elevational view of a modified embodiment of the switch shown in FIG. 33, the rear elevational view being a mirror image thereof;
FIG. 39 is a right side elevational view thereof;
FIG. 40 is a left side elevational view thereof;
FIG. 41 is a top plan view thereof;
FIG. 42 is a bottom plan view thereof;
FIG. 43 is a front elevational view of another modified

embodiment of the switch shown in FIG. 1, the rear elevational view being a mirror image thereof;
FIG. 44 is a right side elevational view thereof;
FIG. 45 is a left side elevational view thereof;
FIG. 46 is a top plan view thereof;
FIG. 47 is a bottom plan view thereof;
FIG. 48 is a front elevational view of a modified embodiment of the switch shown in FIG. 43, the rear elevational view being a mirror image thereof;
FIG. 49 is a right side elevational view thereof;
FIG. 50 is a left side elevational view thereof;
FIG. 51 is a top plan view thereof; and
FIG. 52 is a bottom plan view thereof.

FIG. 1

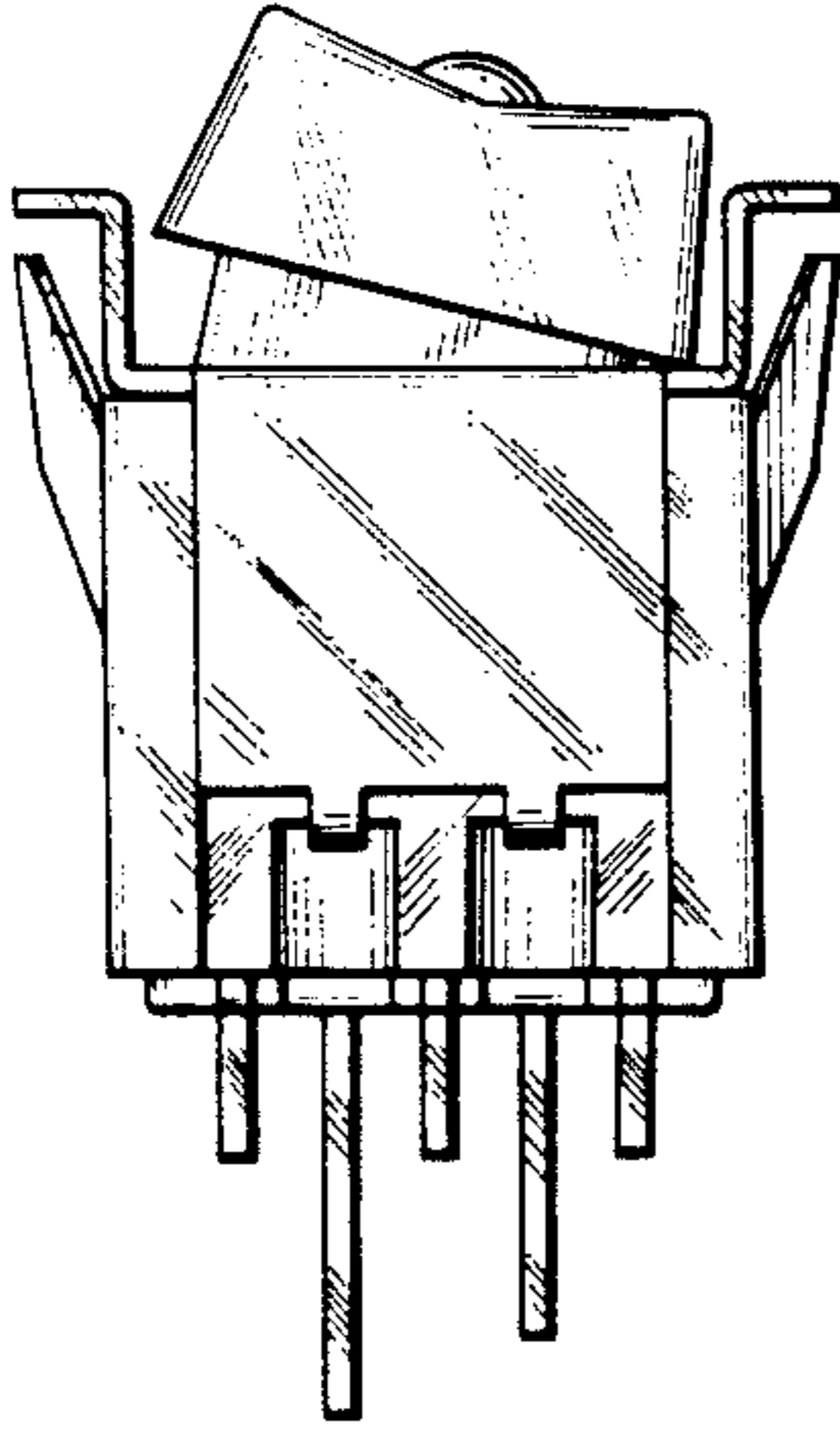


FIG. 2

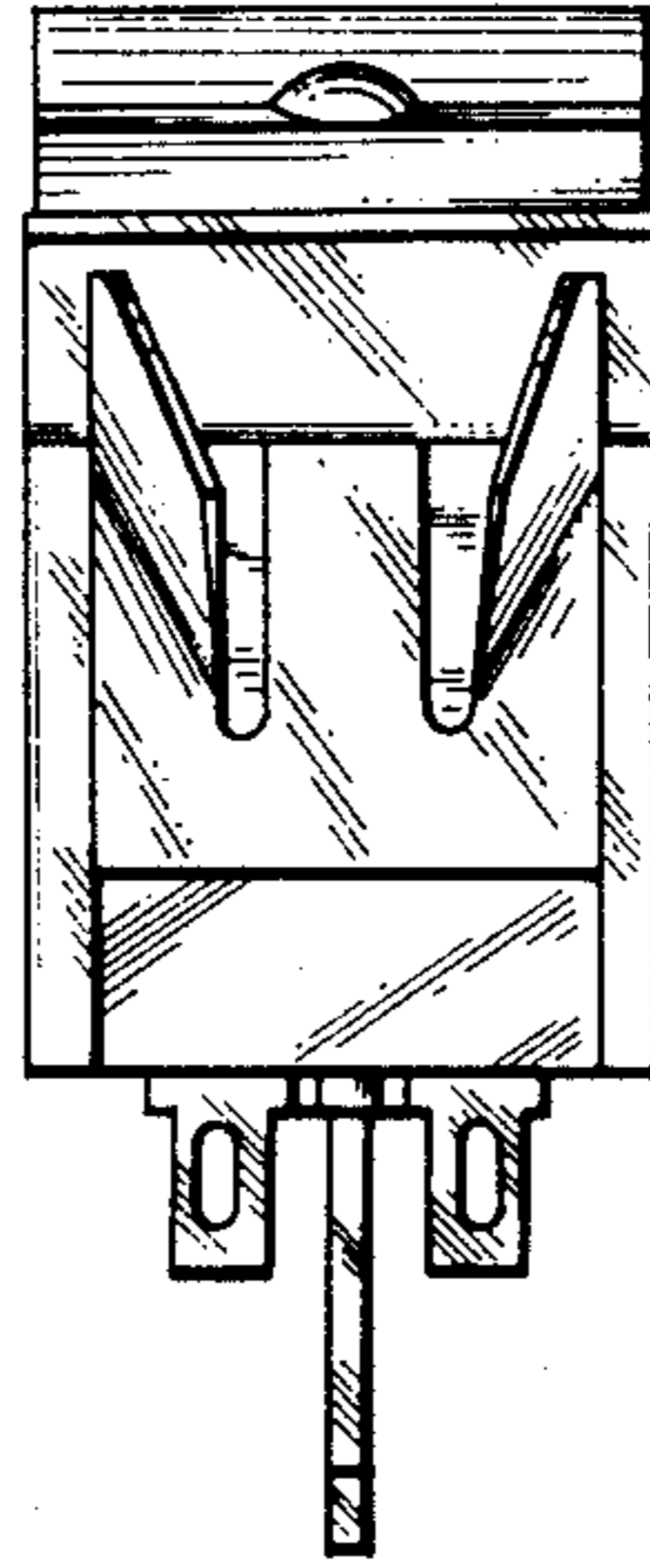


FIG. 3

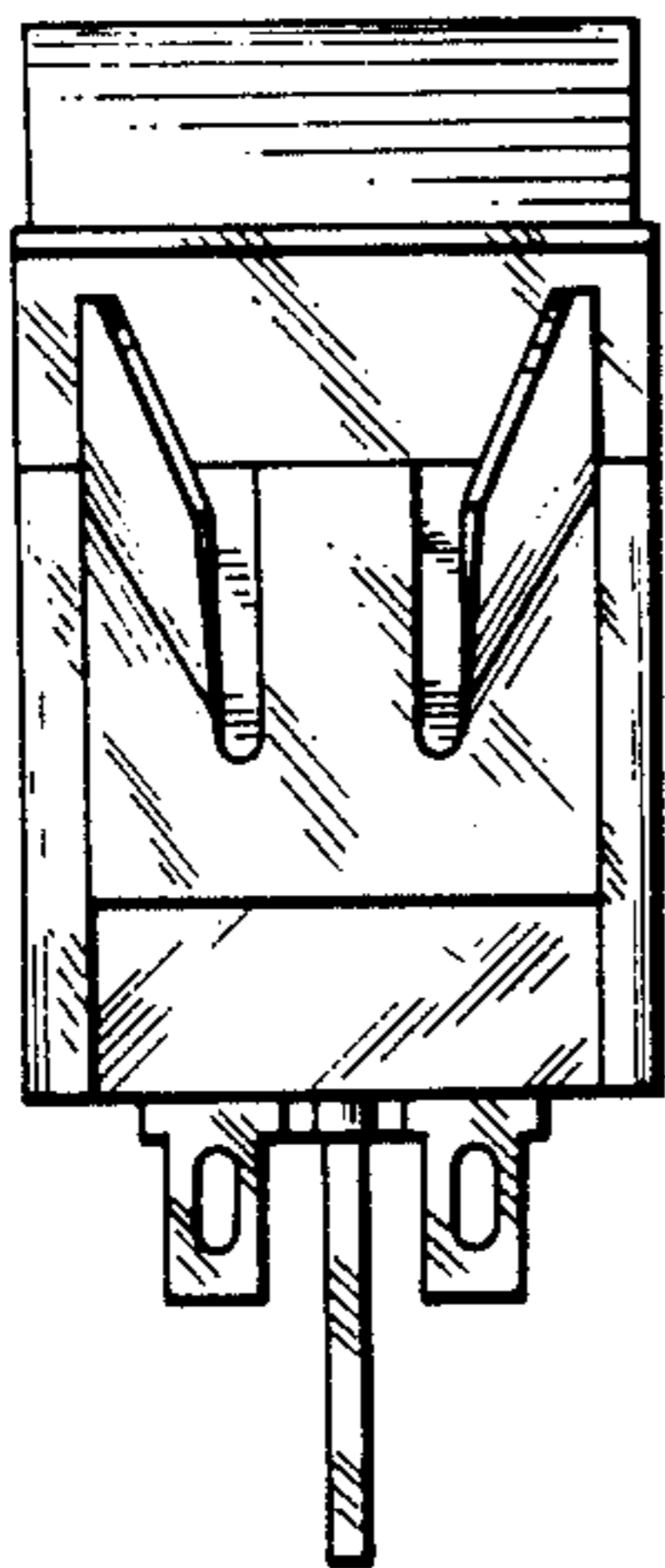


FIG. 4

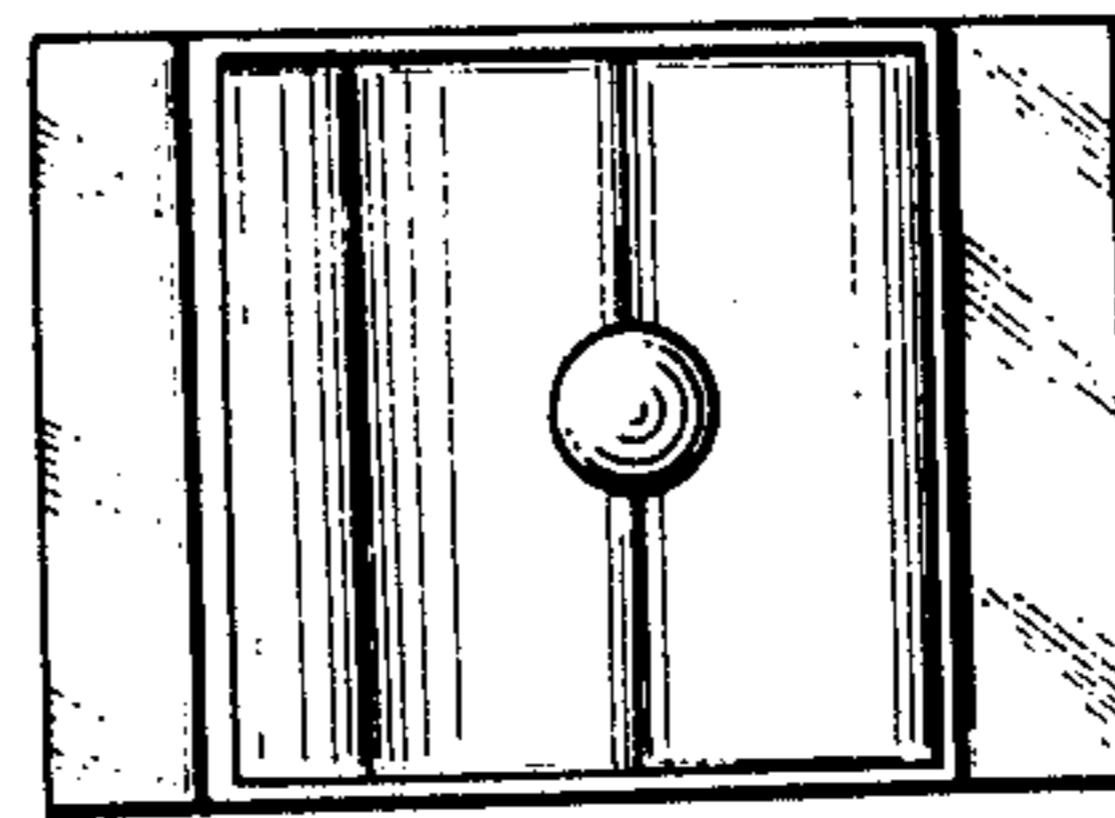


FIG. 5

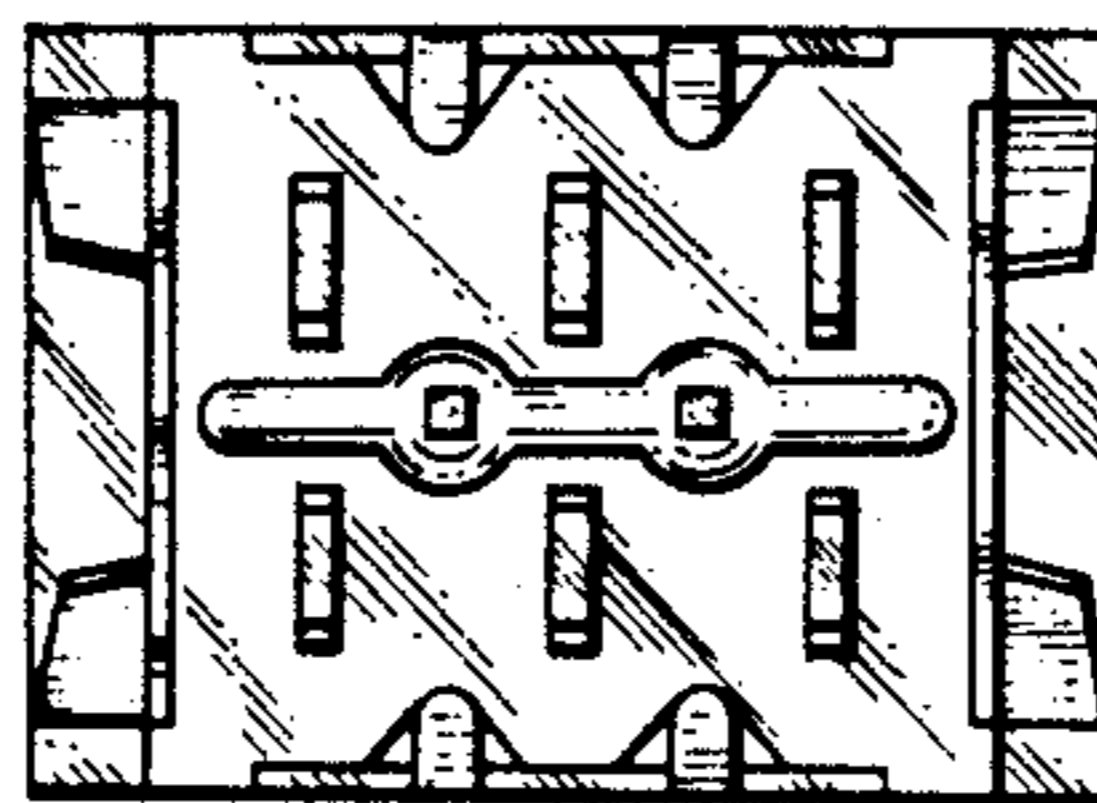


FIG. 6

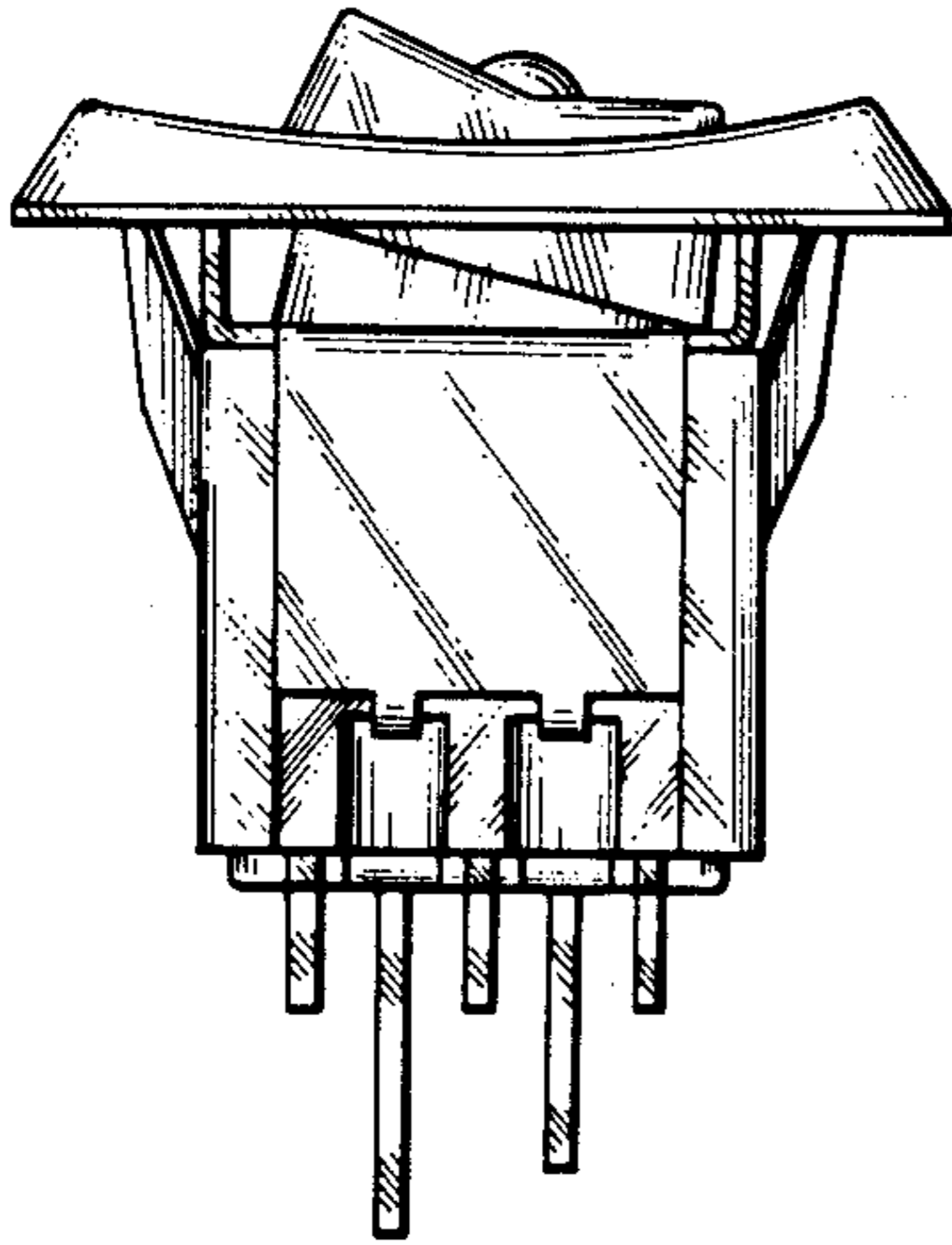


FIG. 7

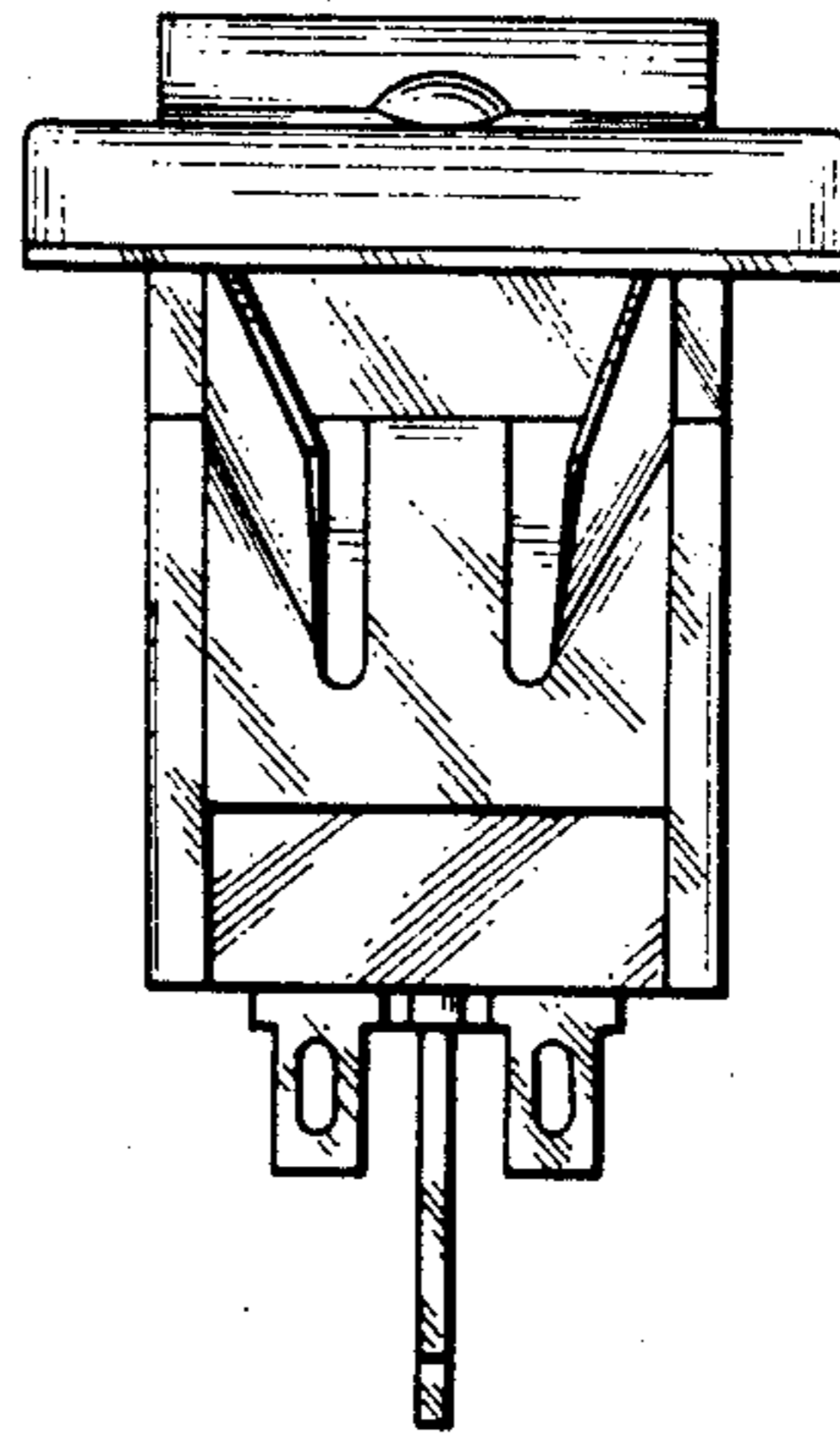


FIG. 8

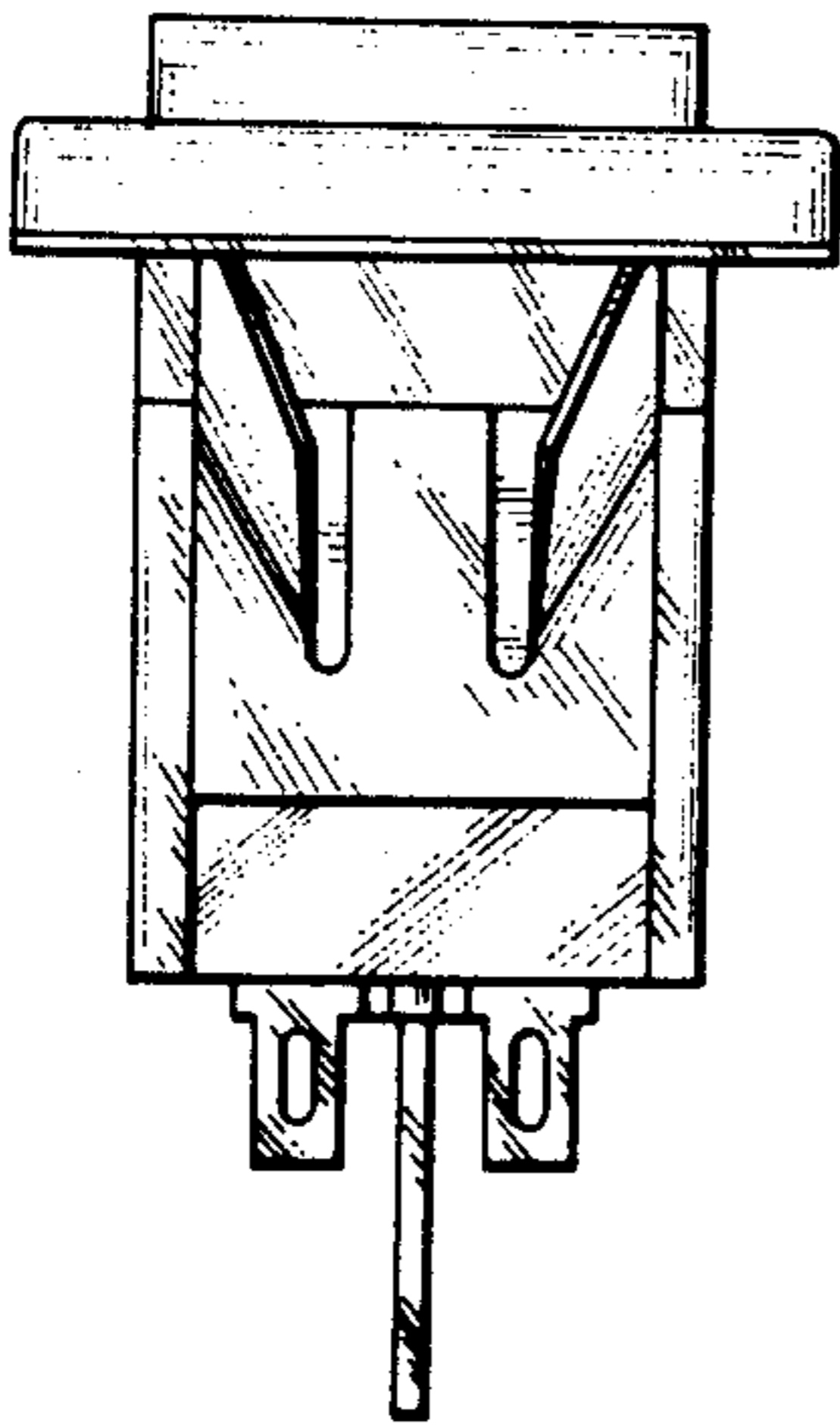


FIG. 9

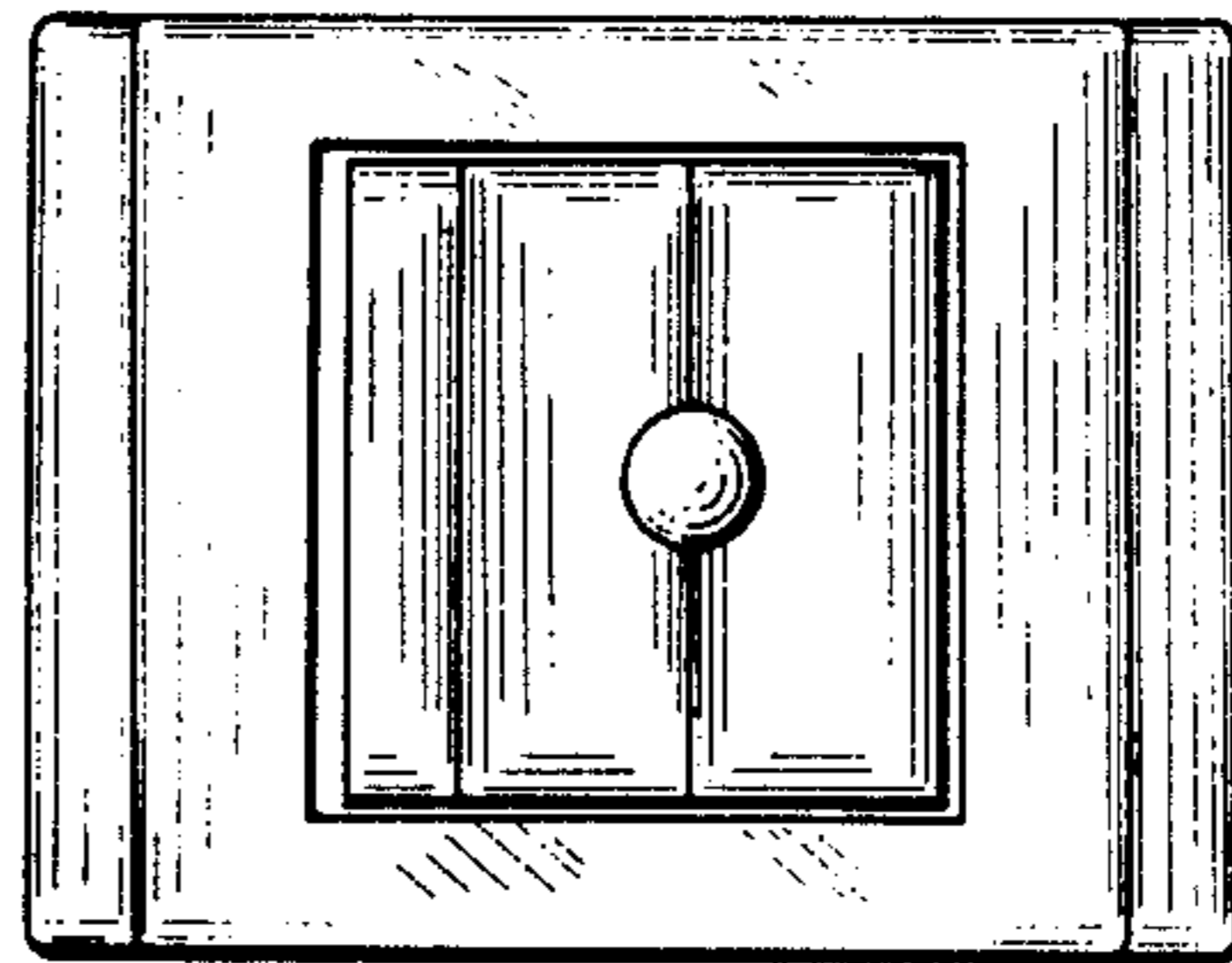


FIG. 10

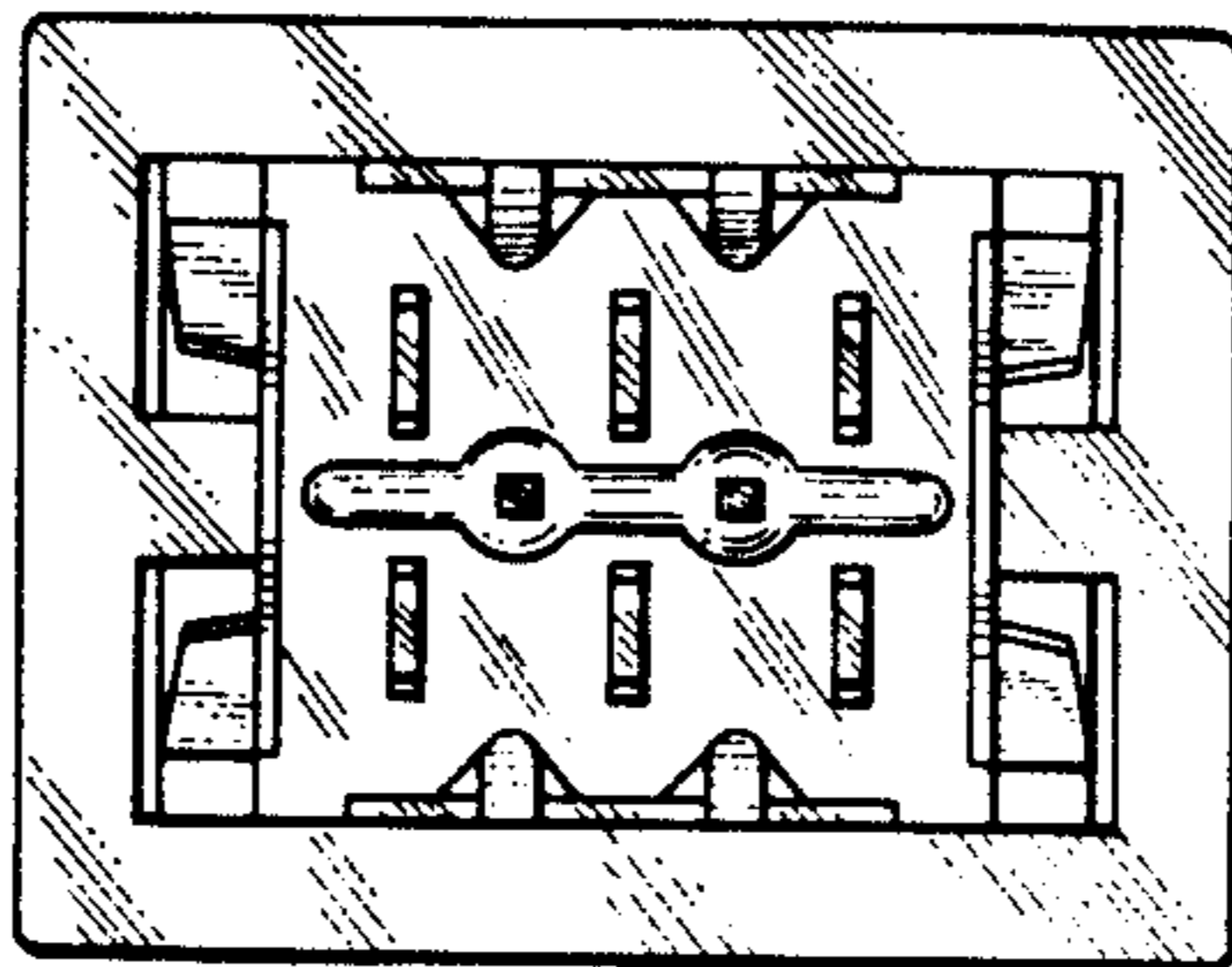


FIG. 11

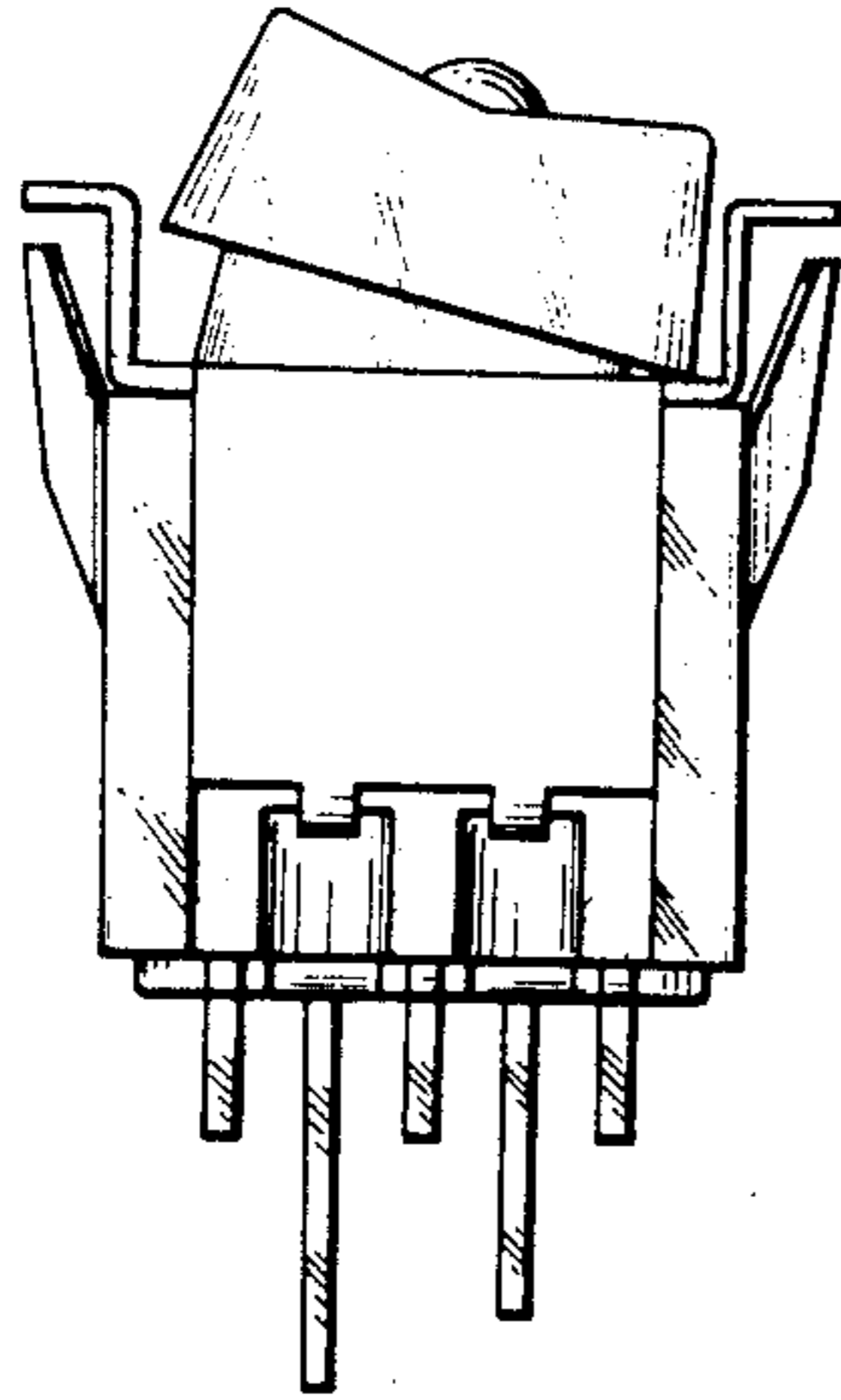


FIG. 12

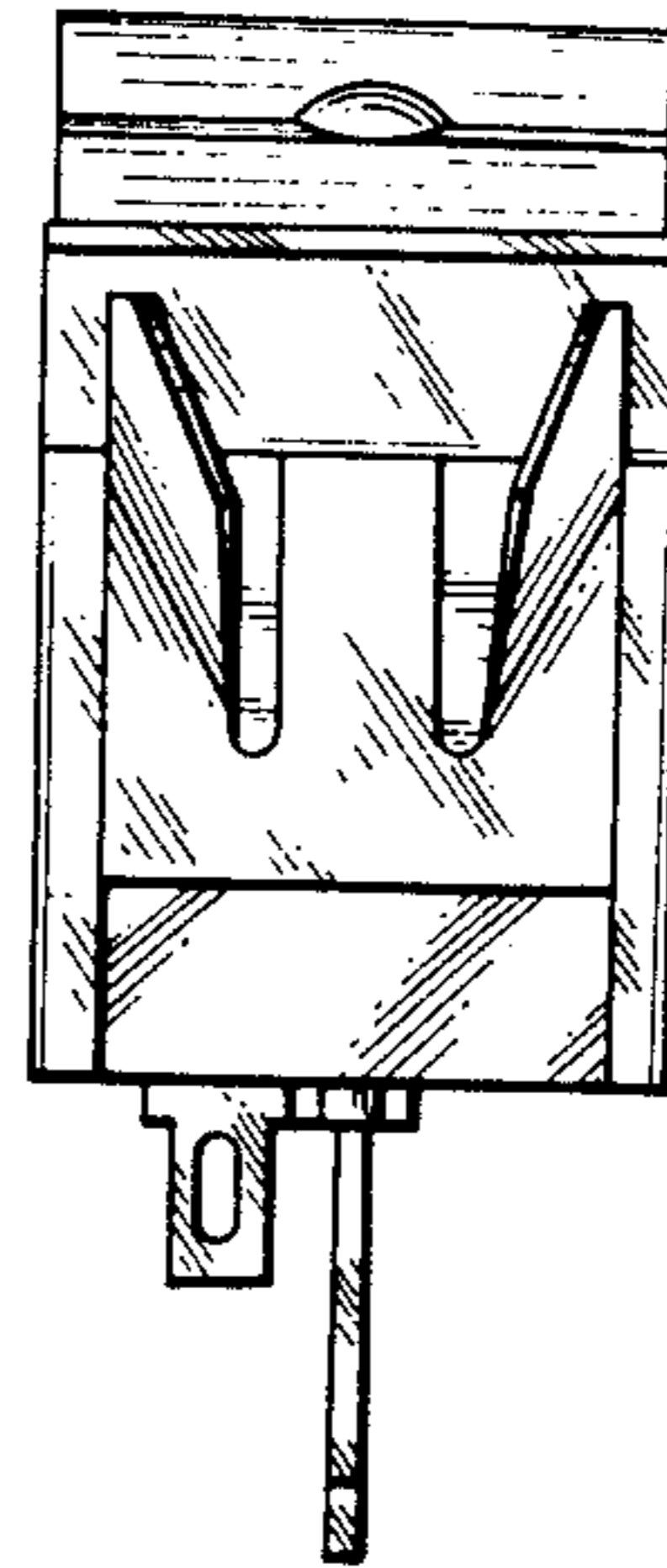


FIG. 13

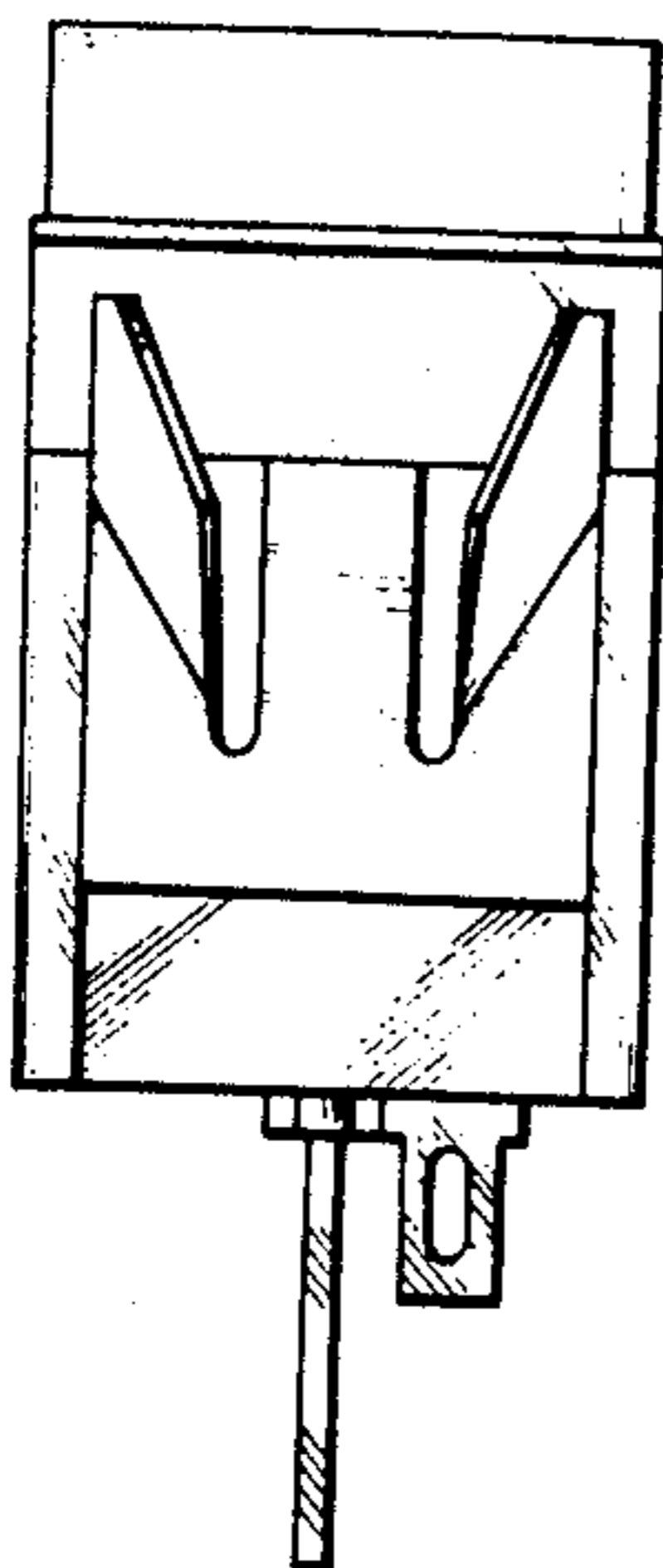


FIG. 14

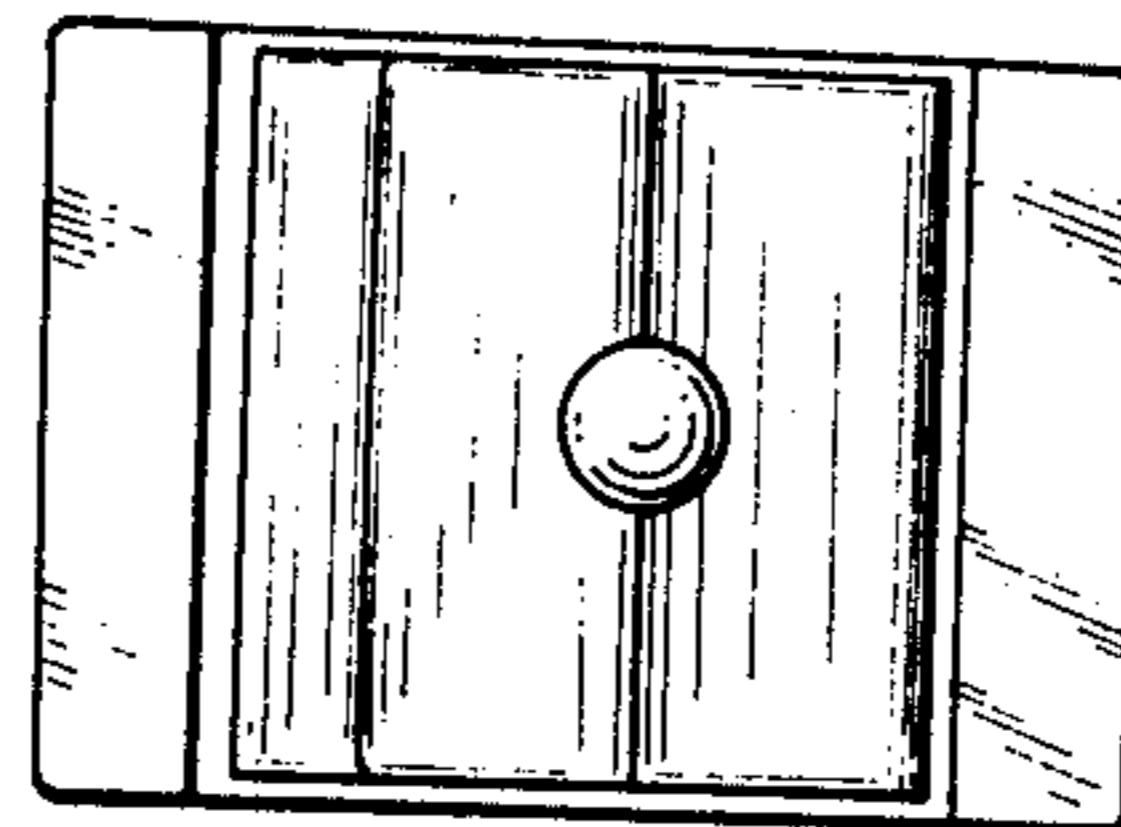


FIG. 16

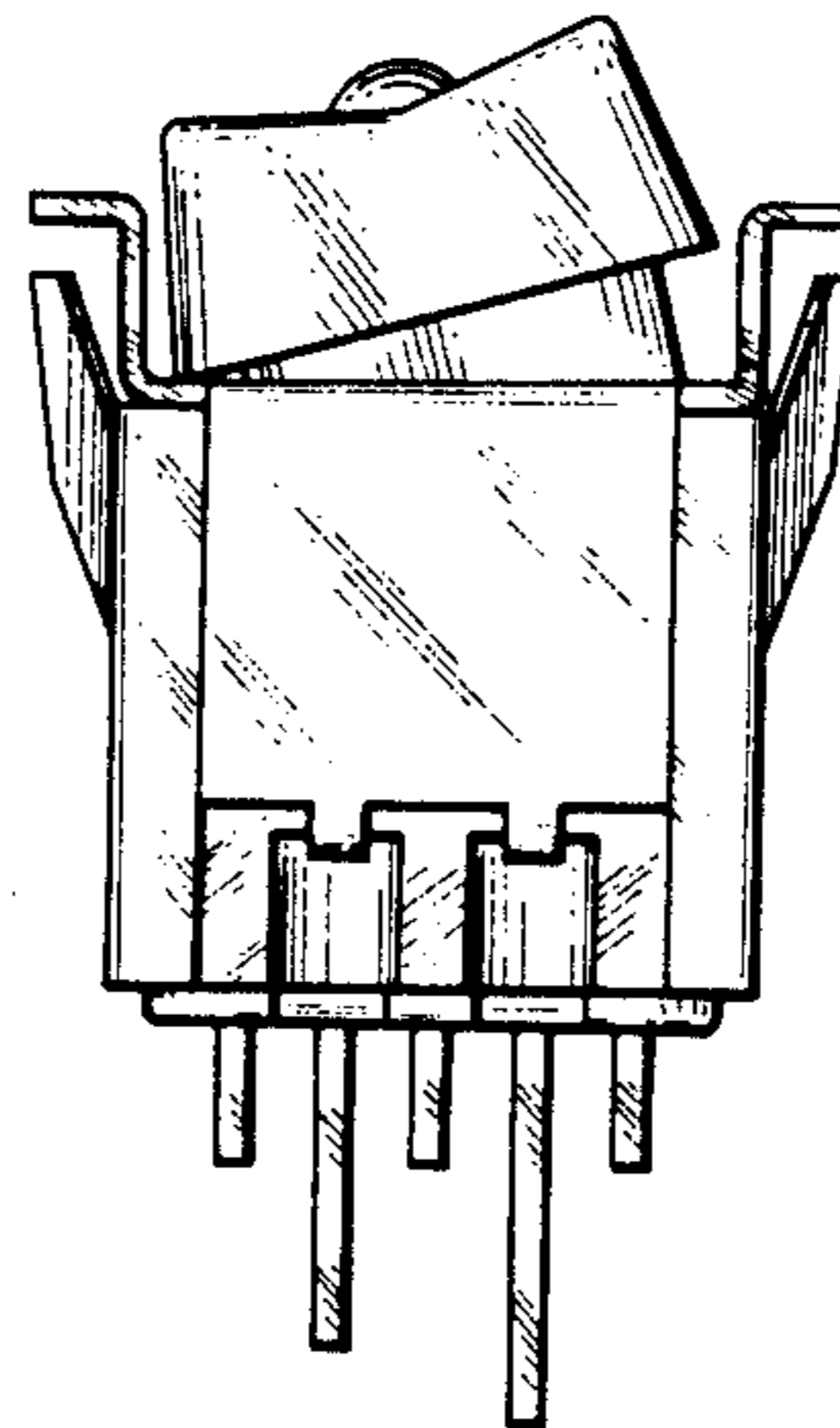


FIG. 15

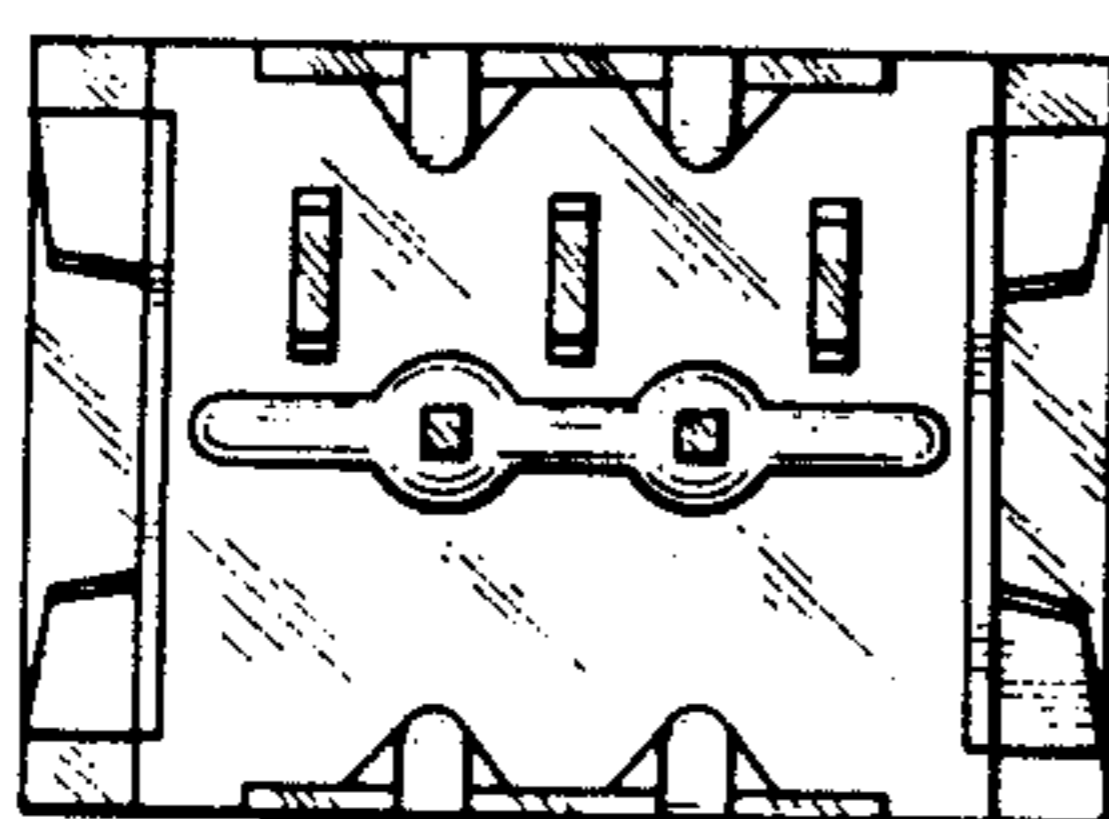


FIG. 17

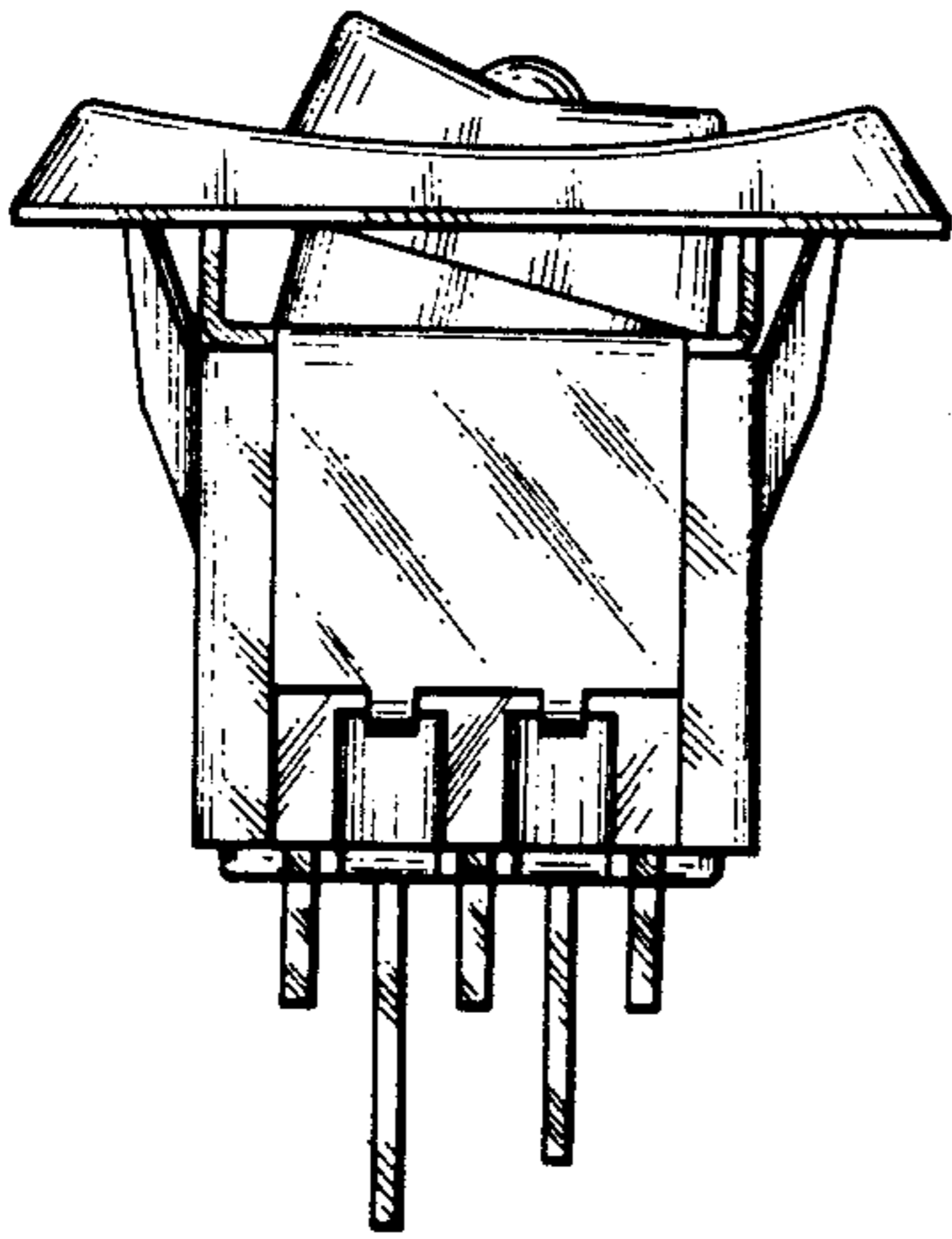


FIG. 18

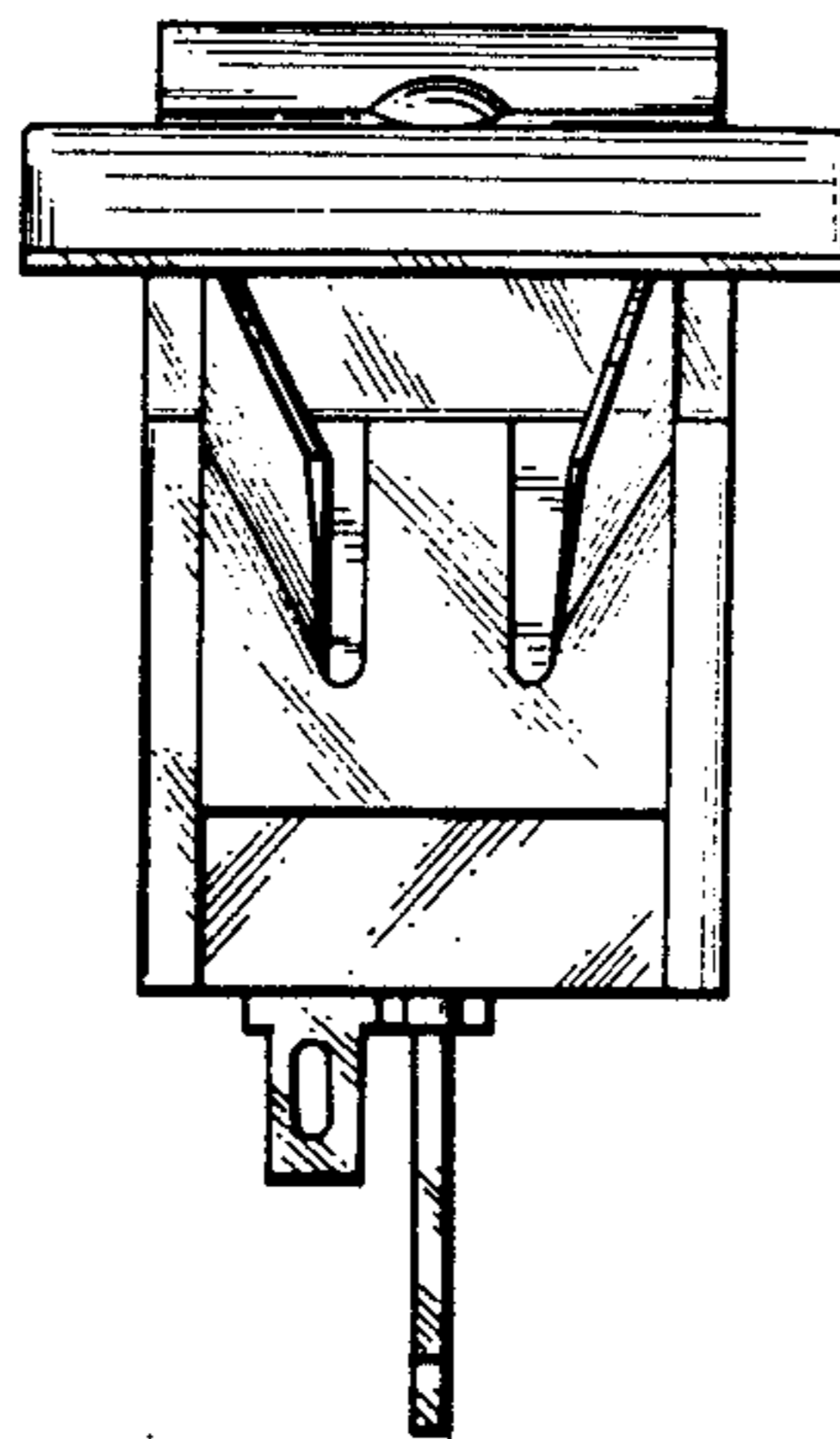


FIG. 19

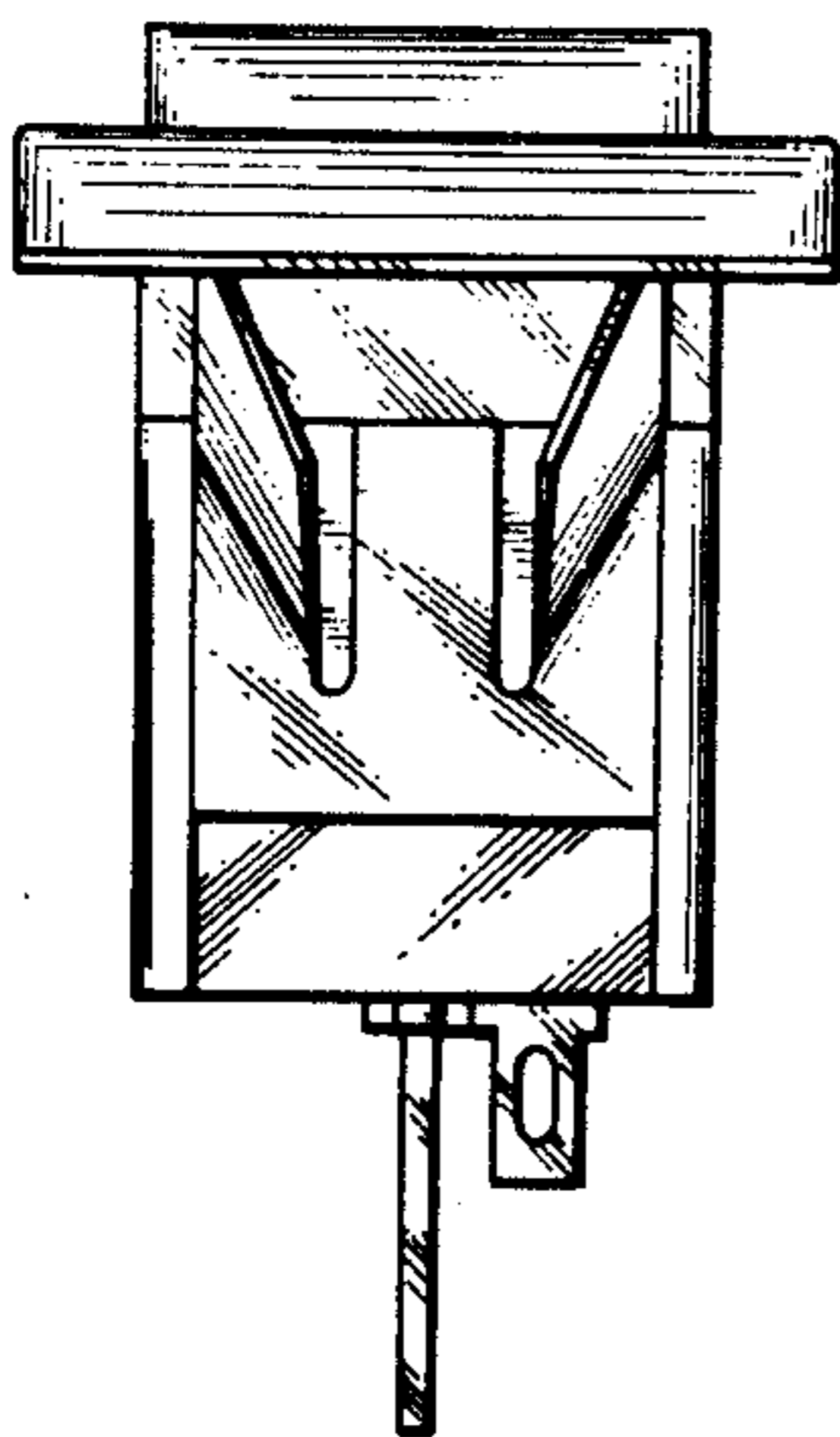


FIG. 20

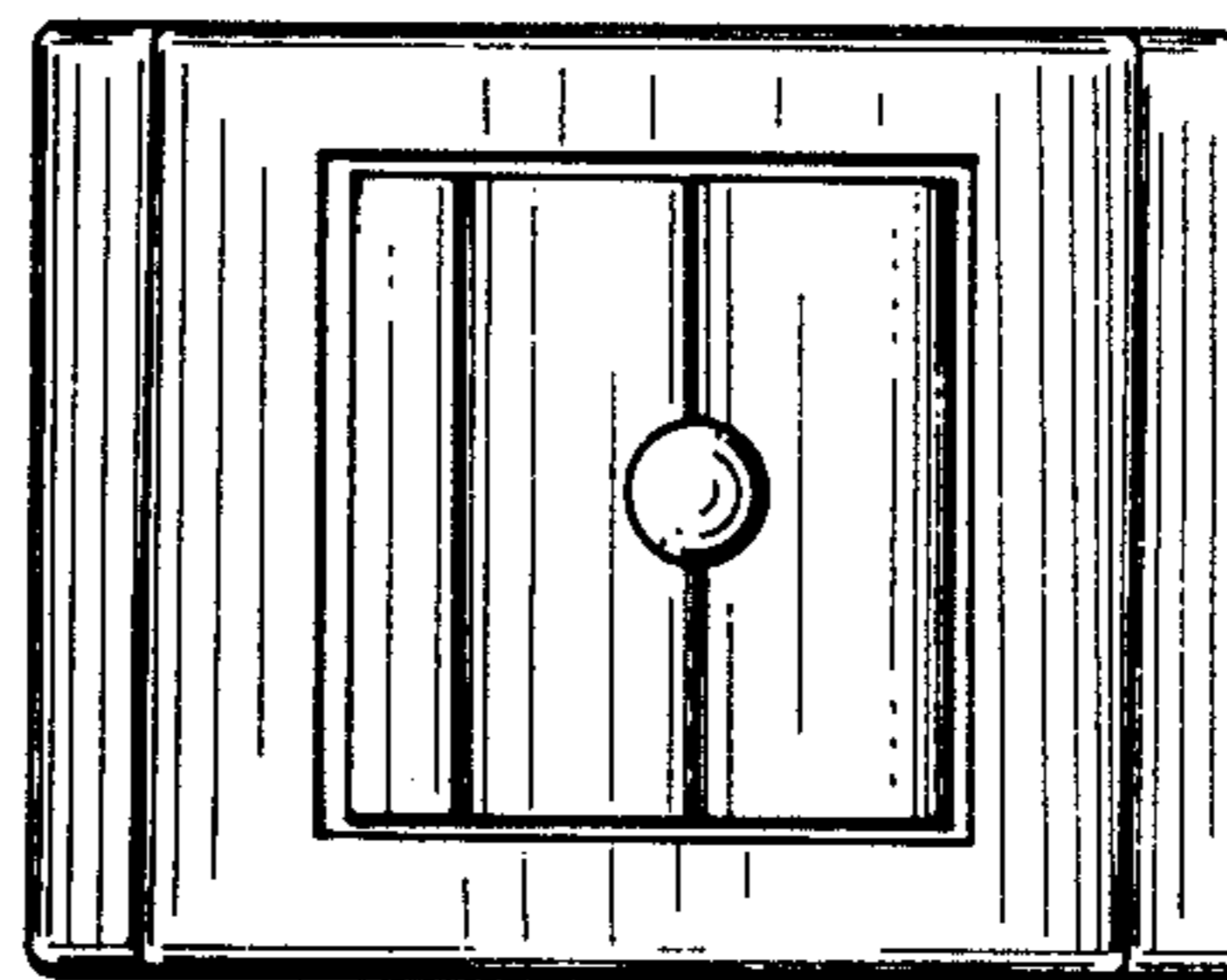


FIG. 21

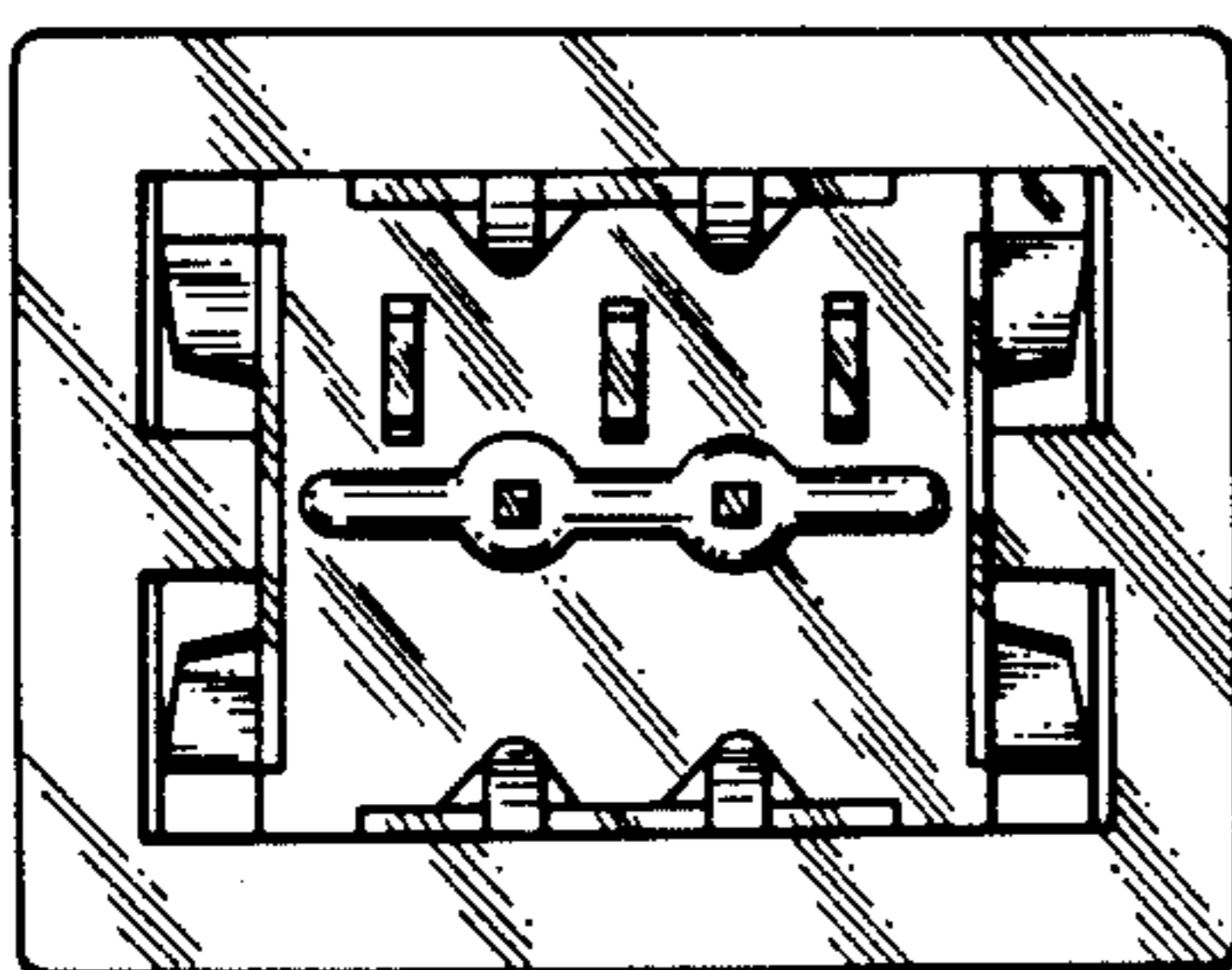


FIG. 22

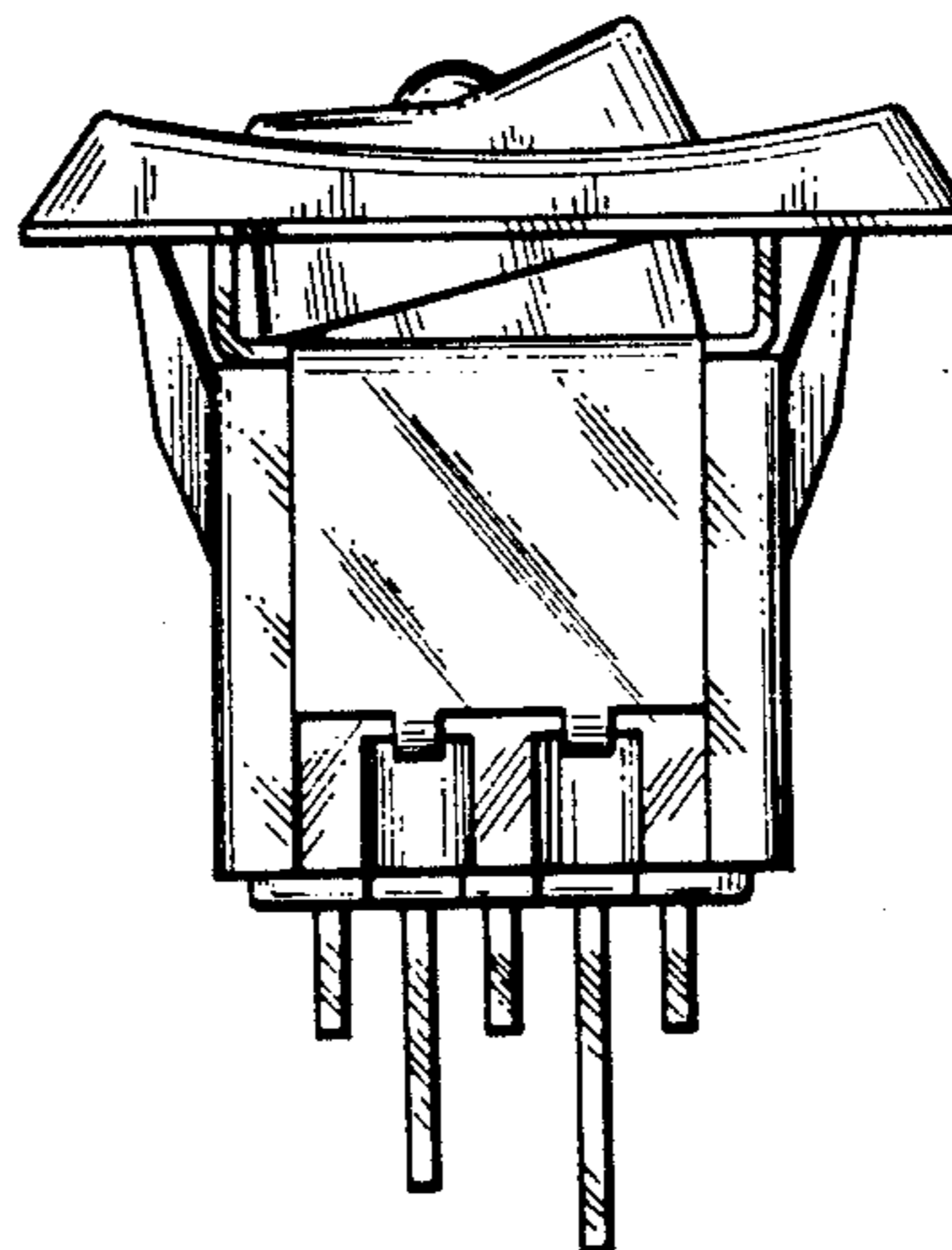


FIG. 23

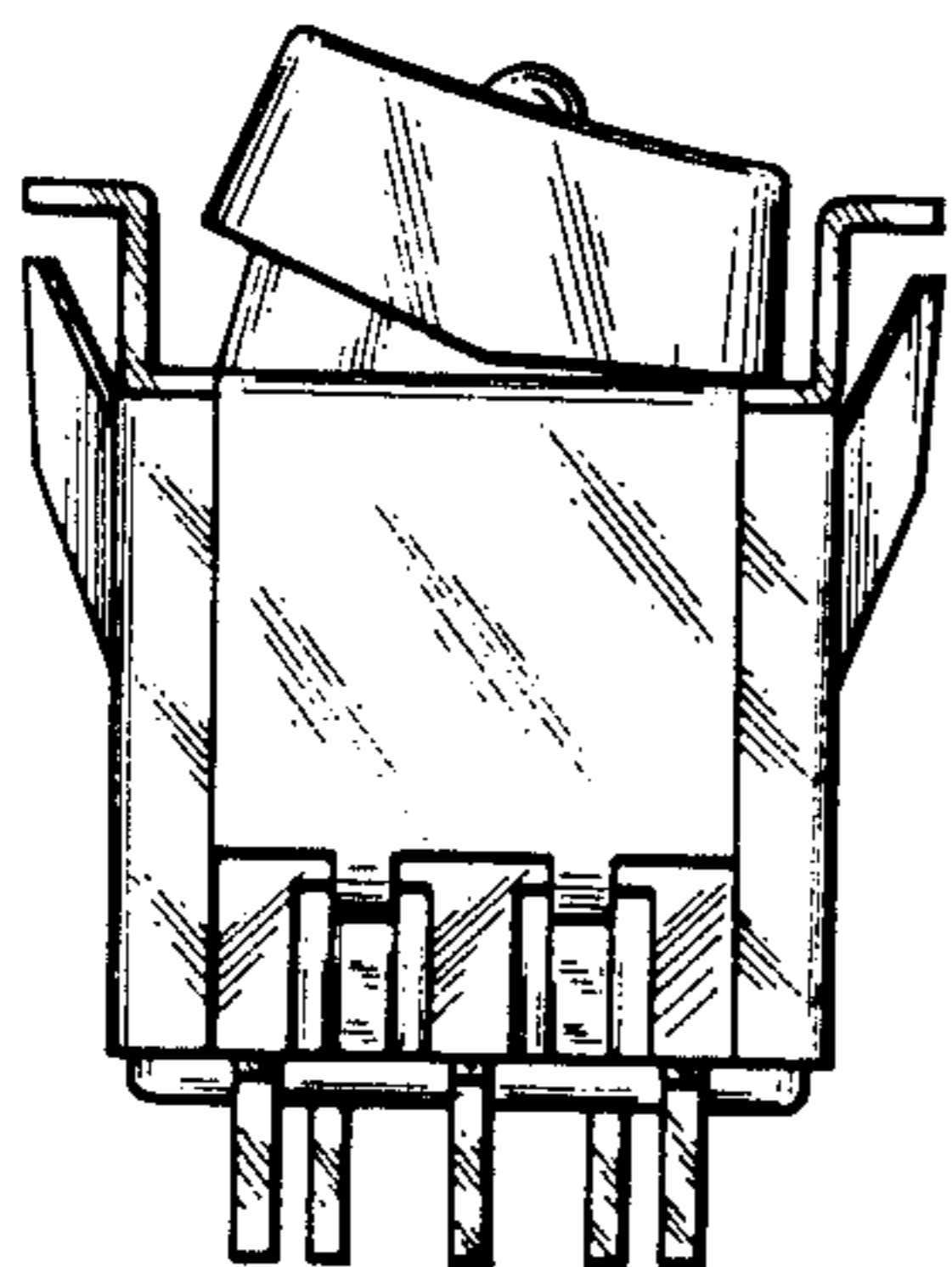


FIG. 24

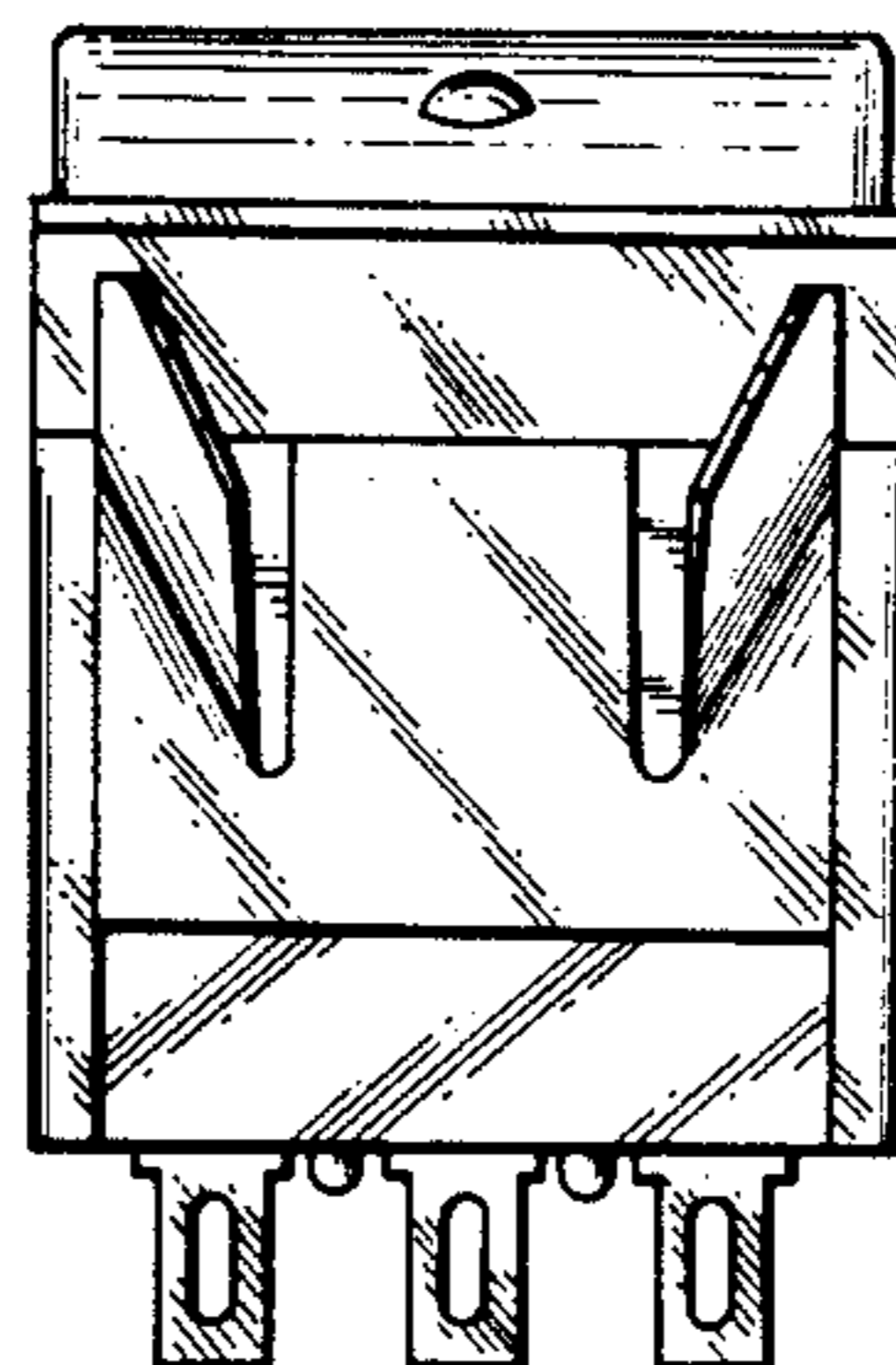


FIG. 25

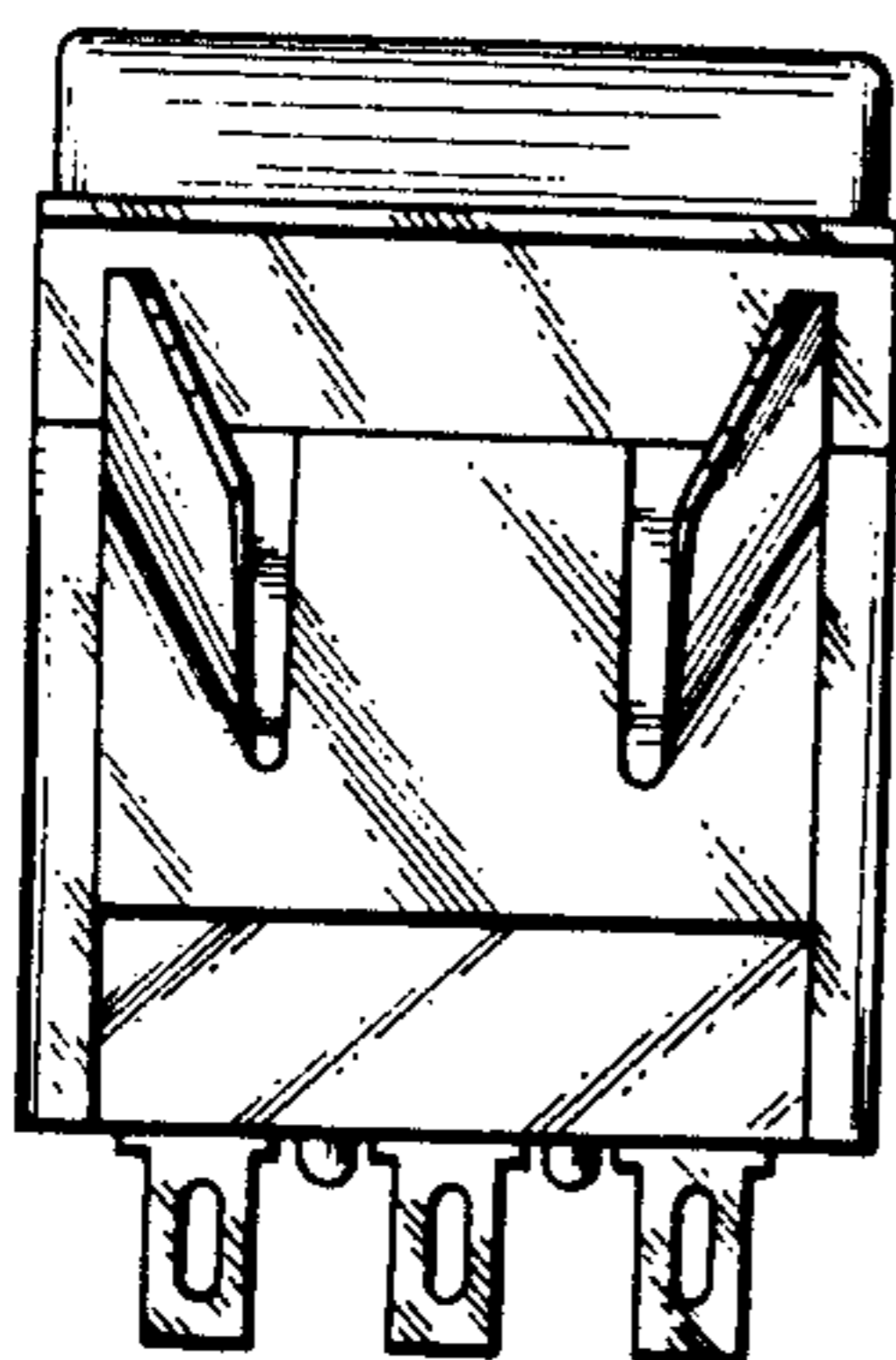


FIG. 26

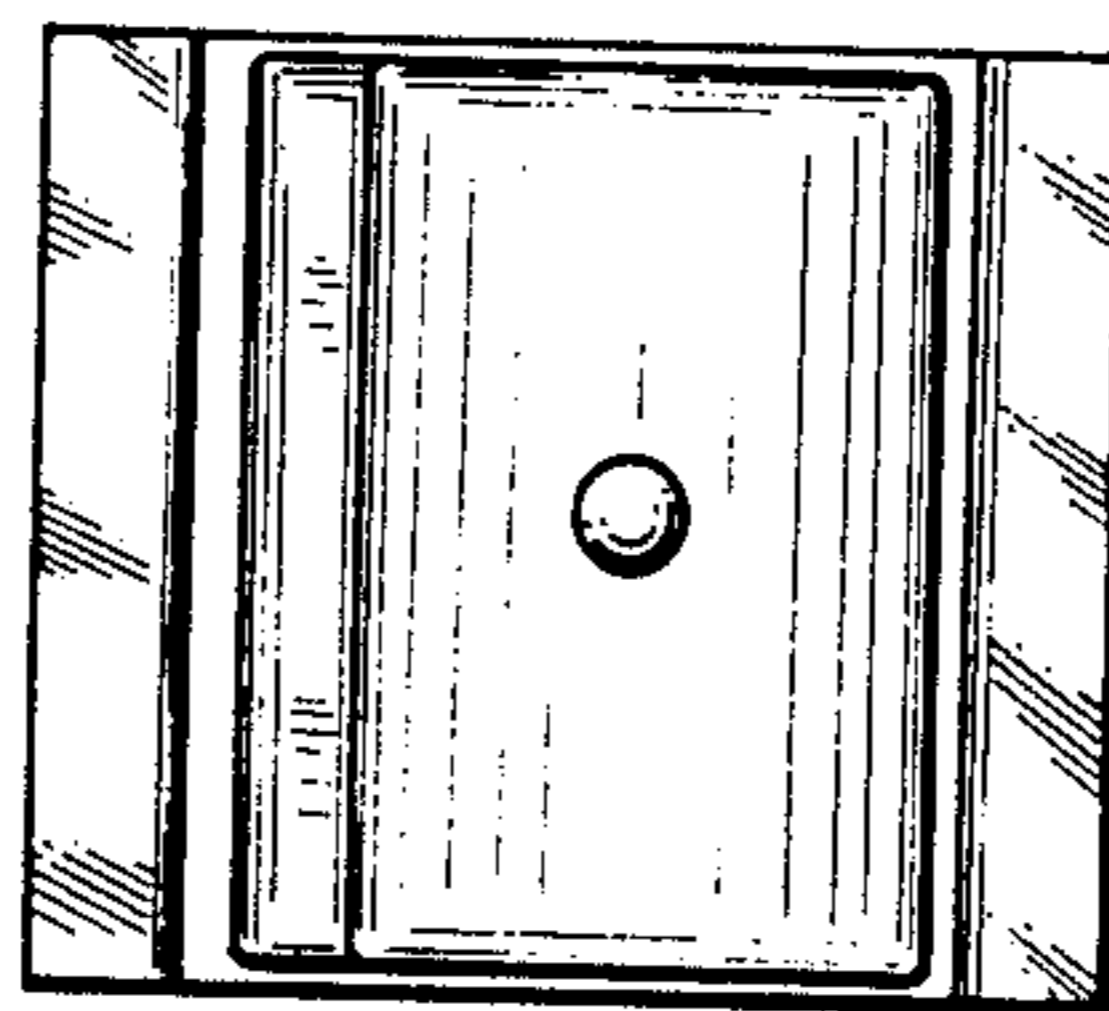


FIG. 27

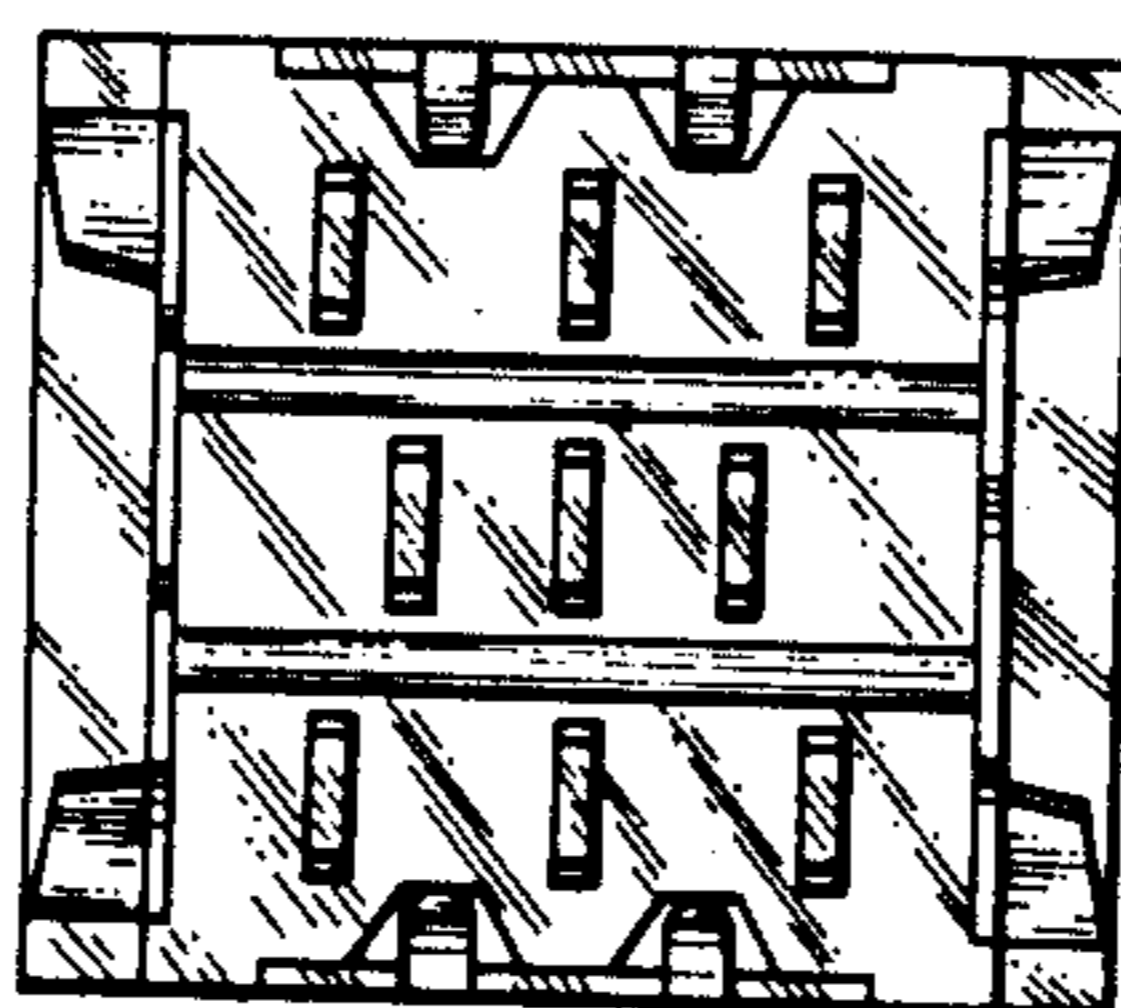


FIG. 28

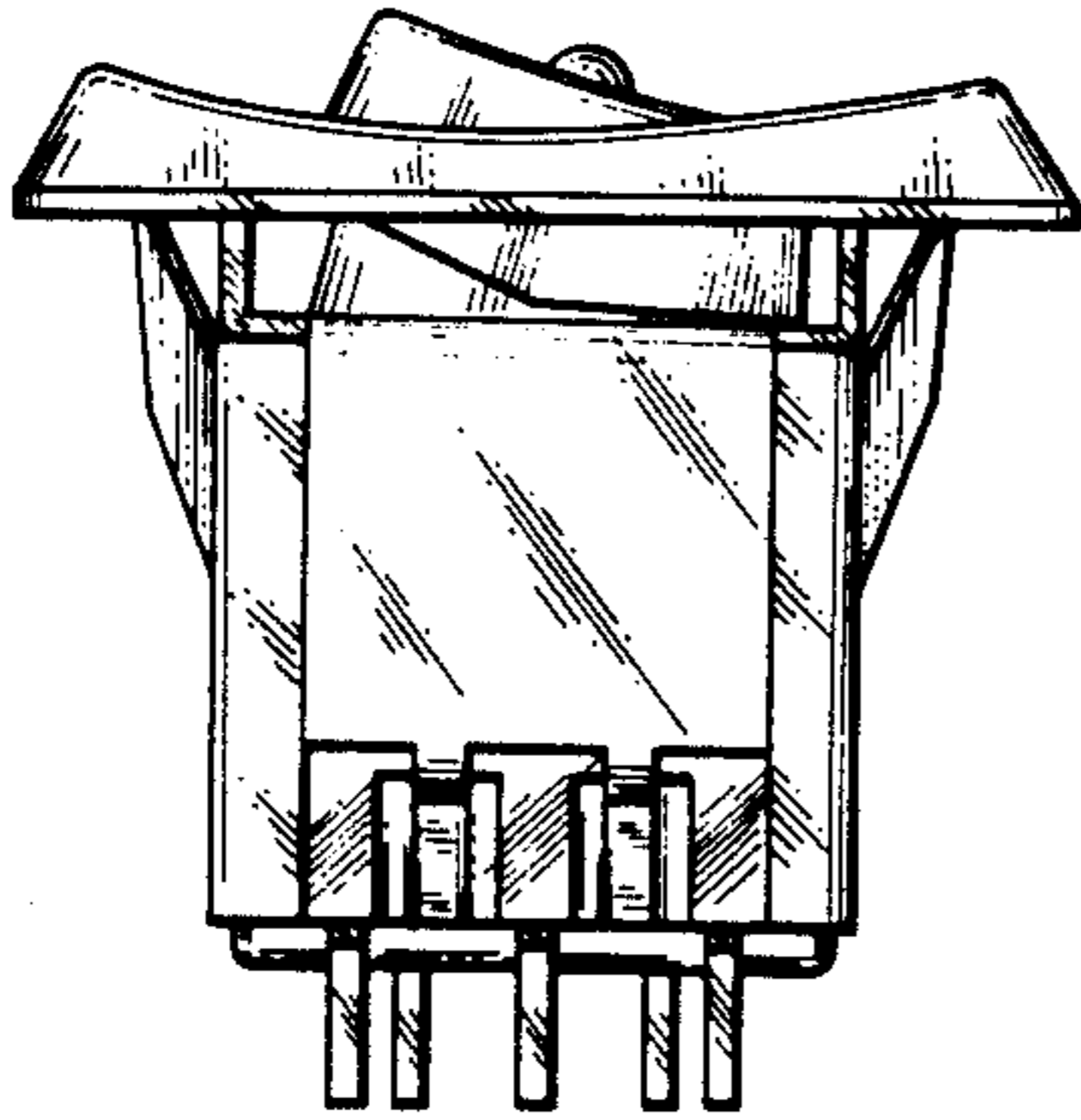


FIG. 29

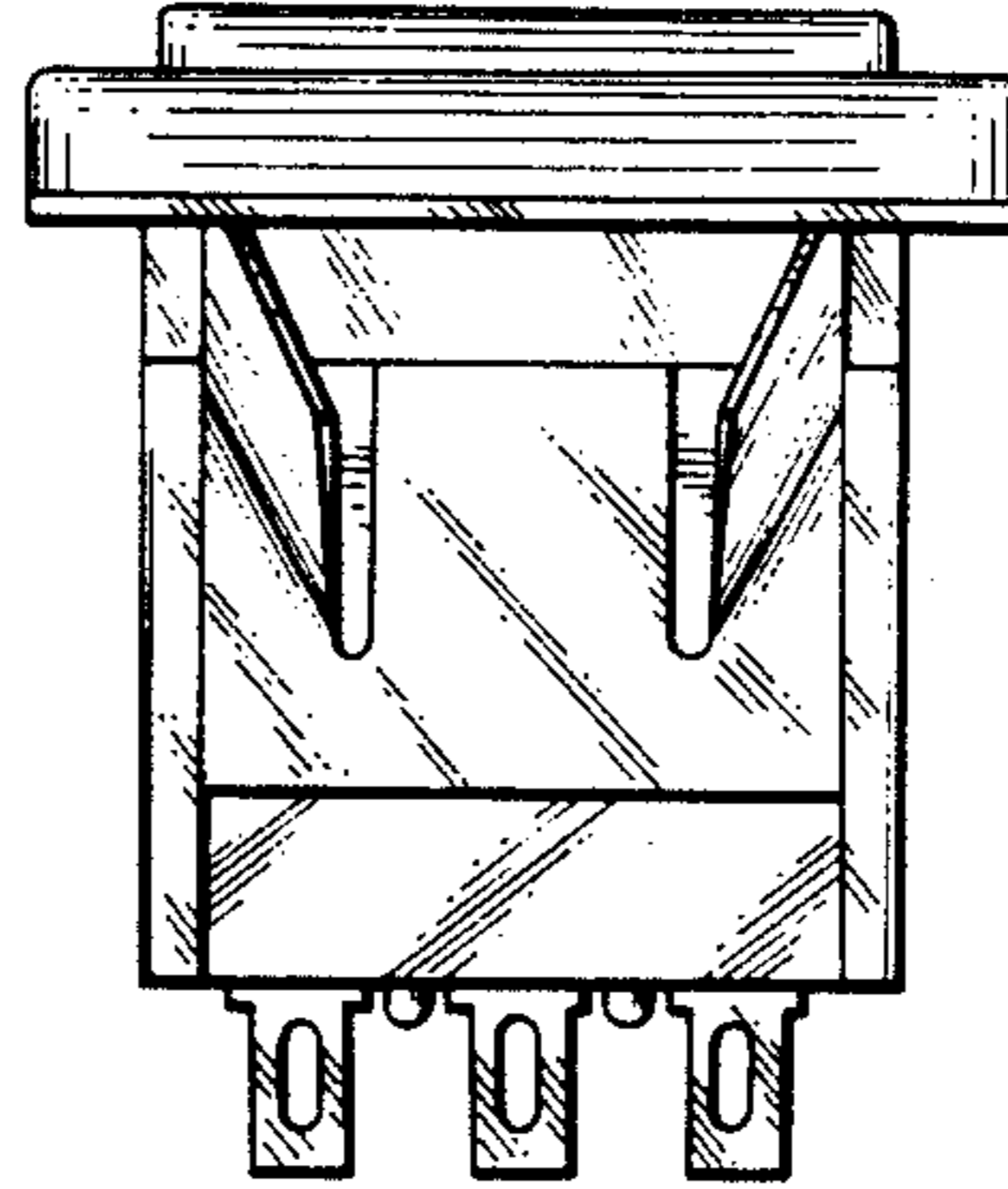


FIG. 30

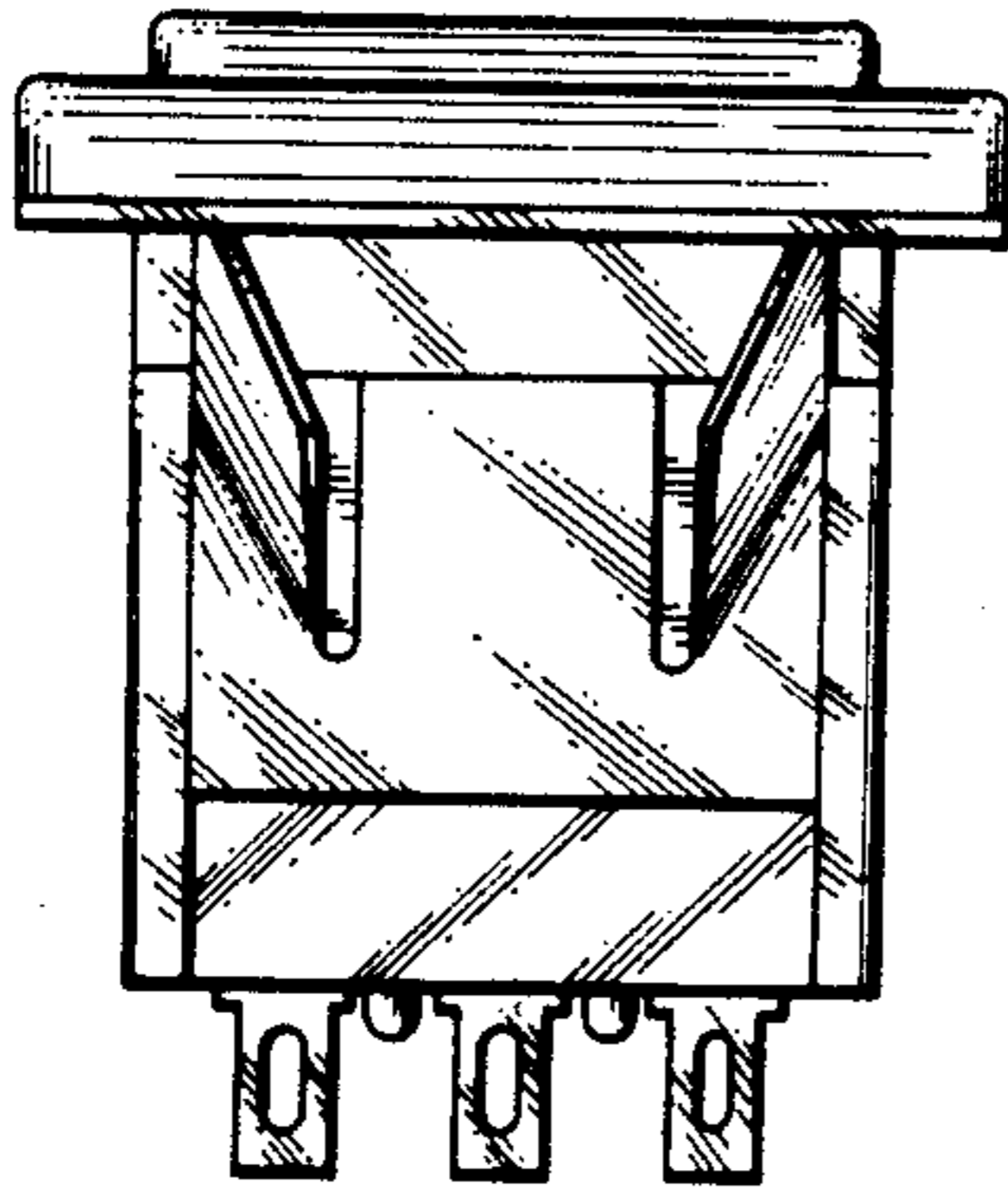


FIG. 31

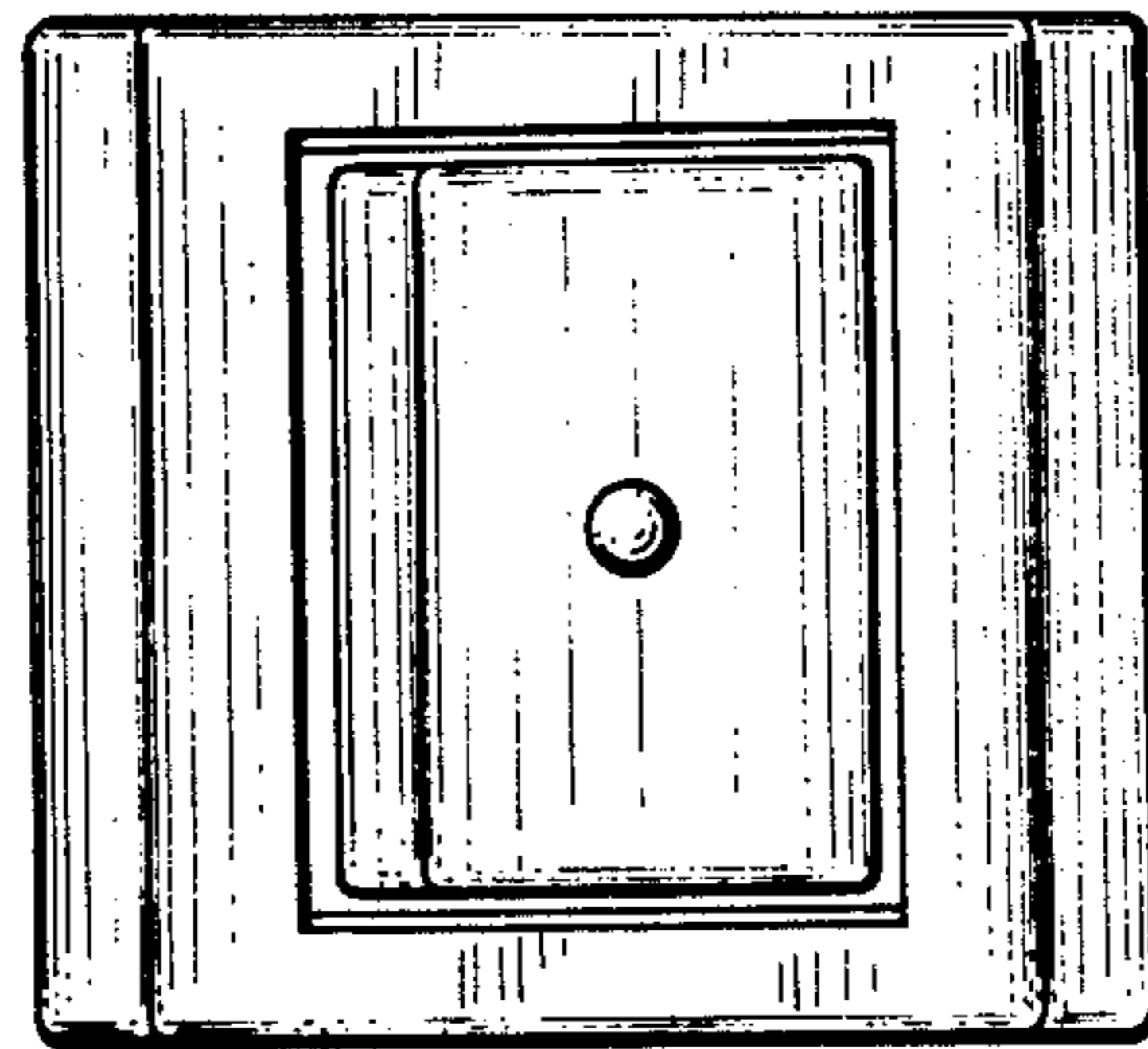


FIG. 32

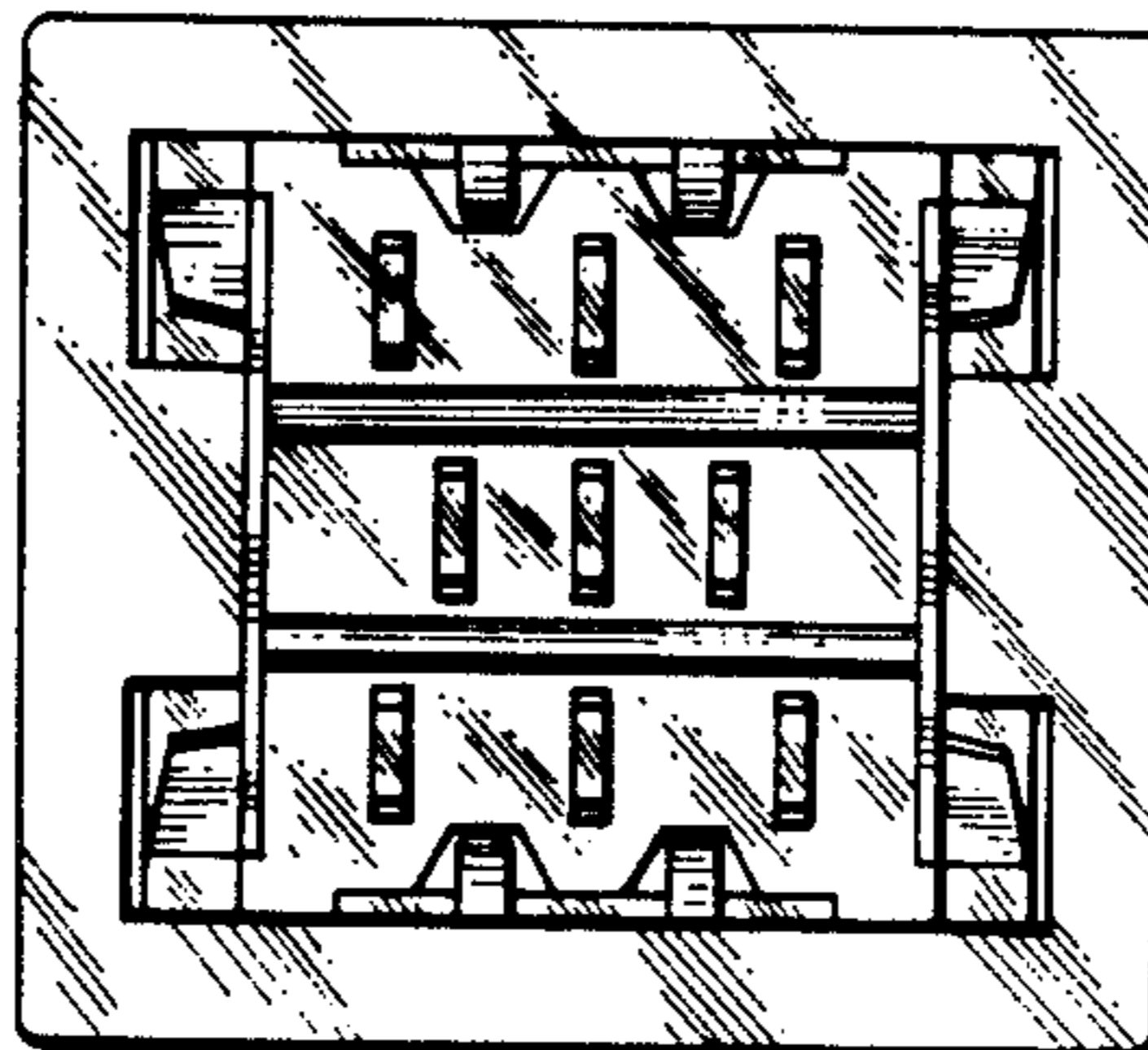


FIG. 33

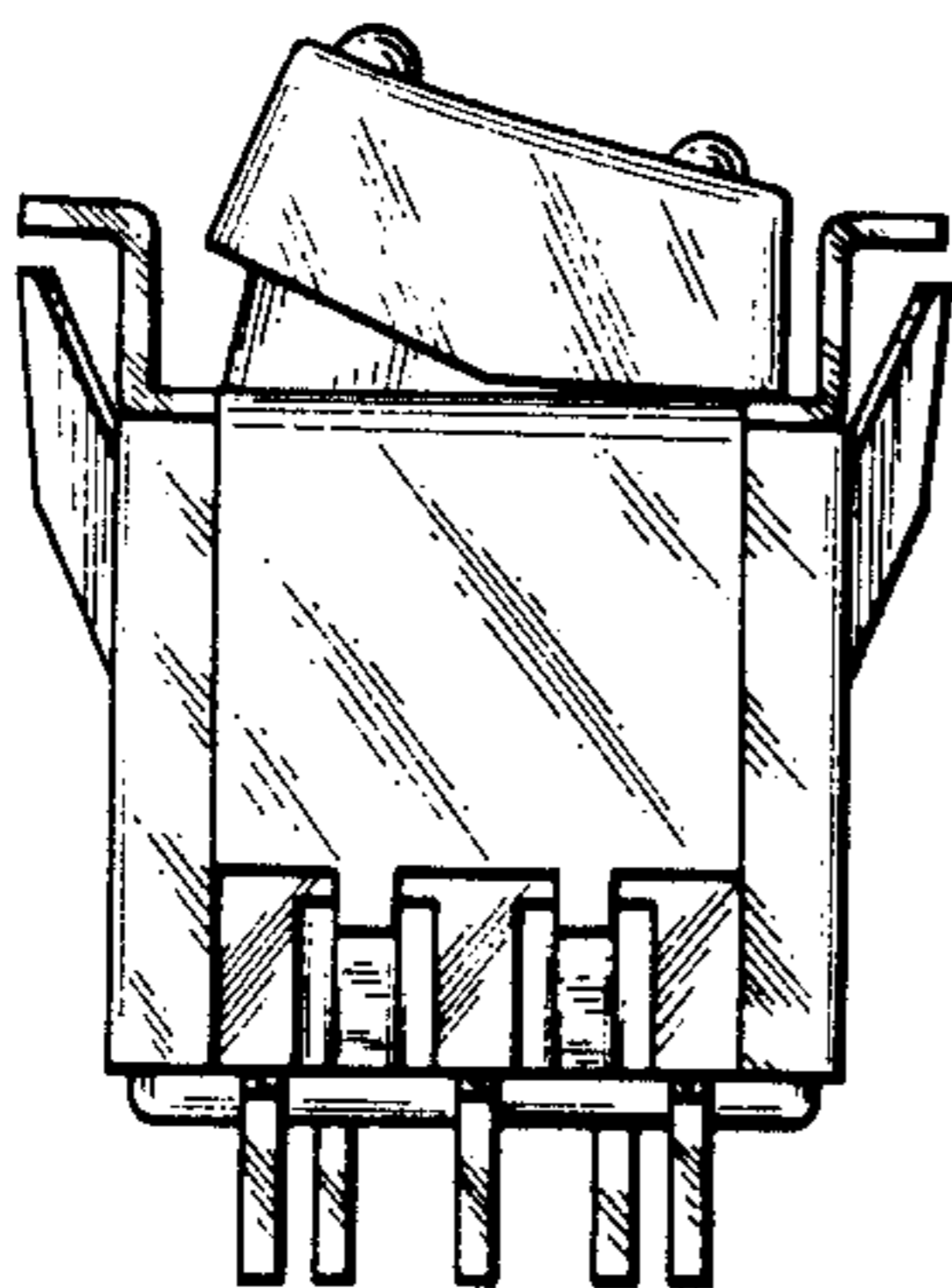


FIG. 34

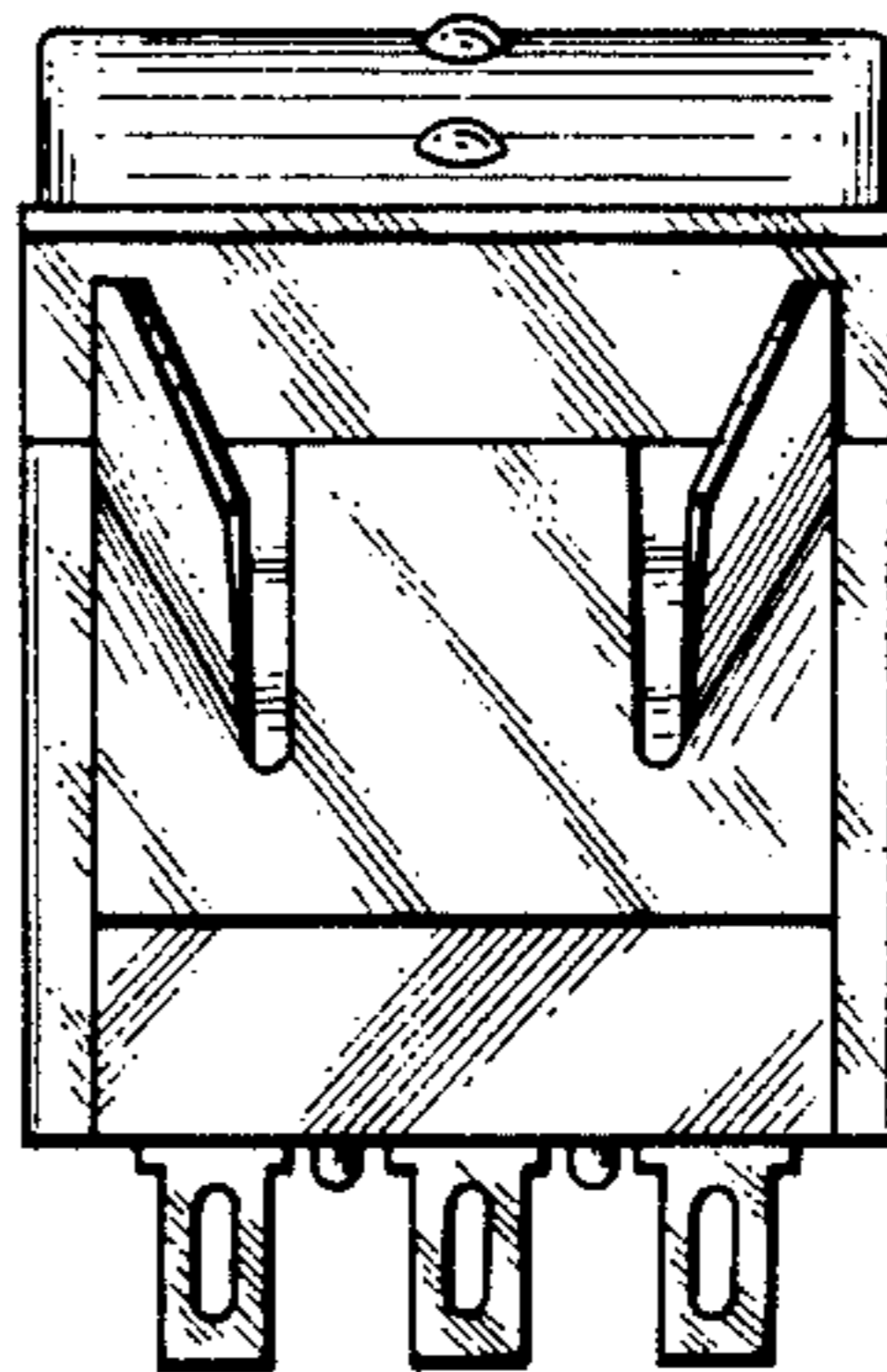


FIG. 35

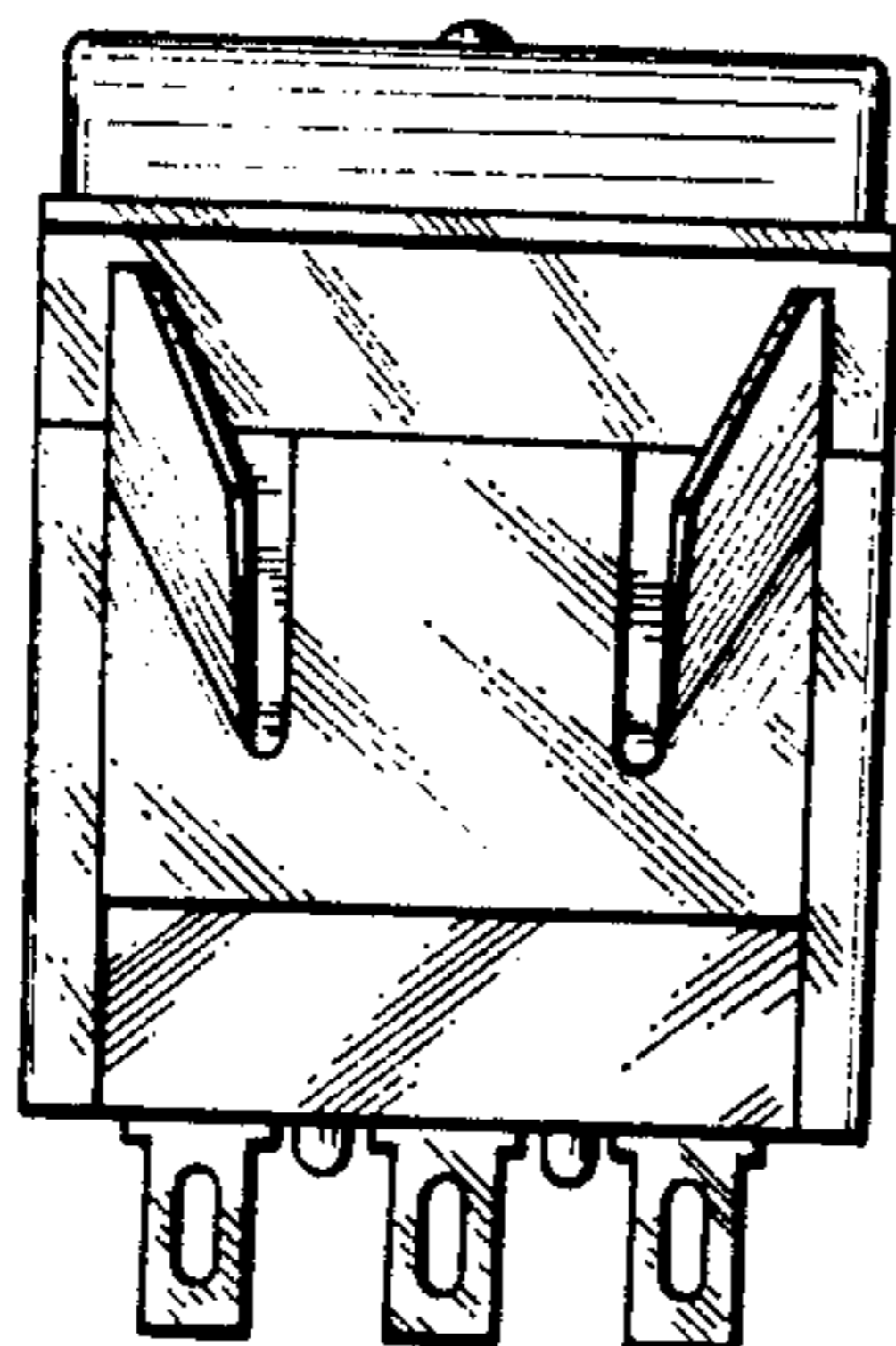


FIG. 36

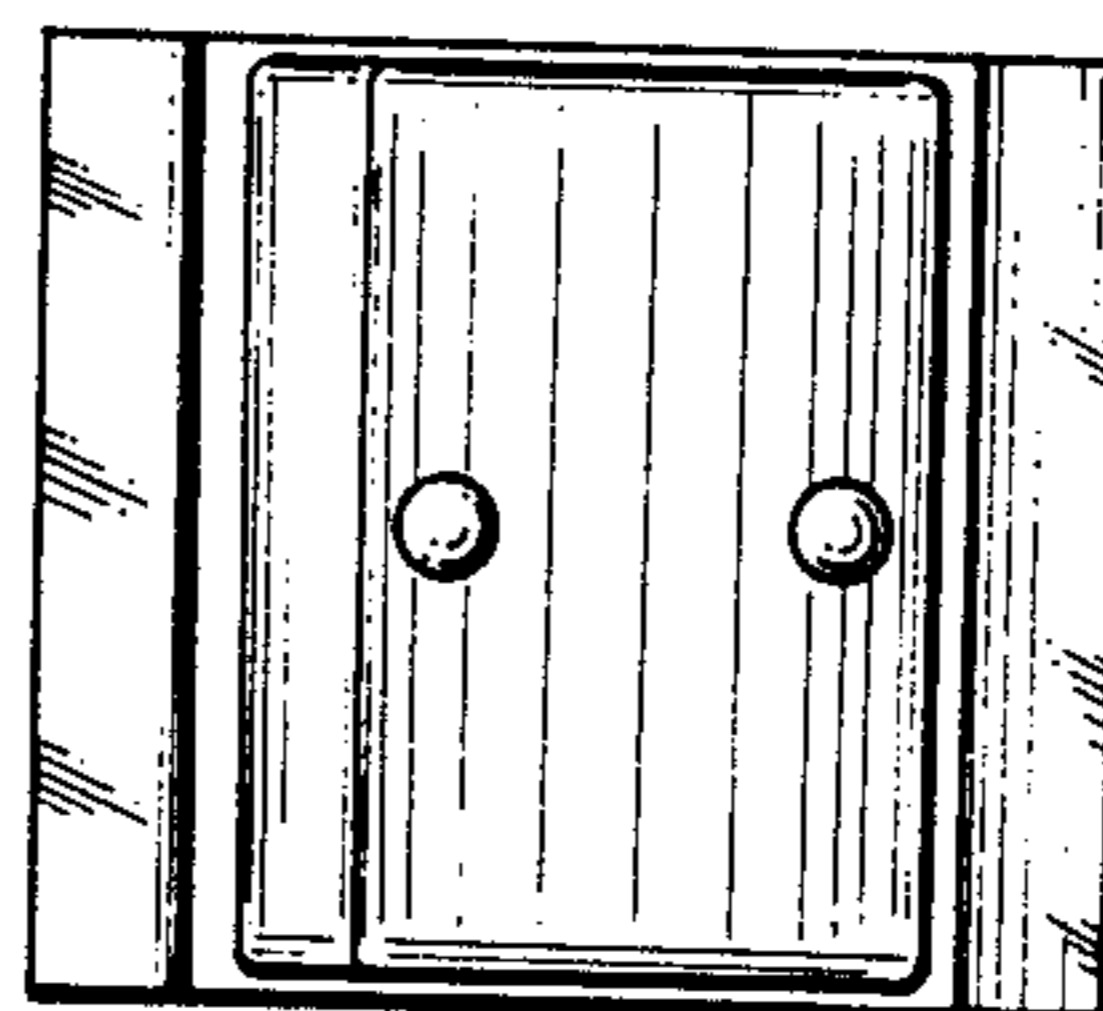


FIG. 37

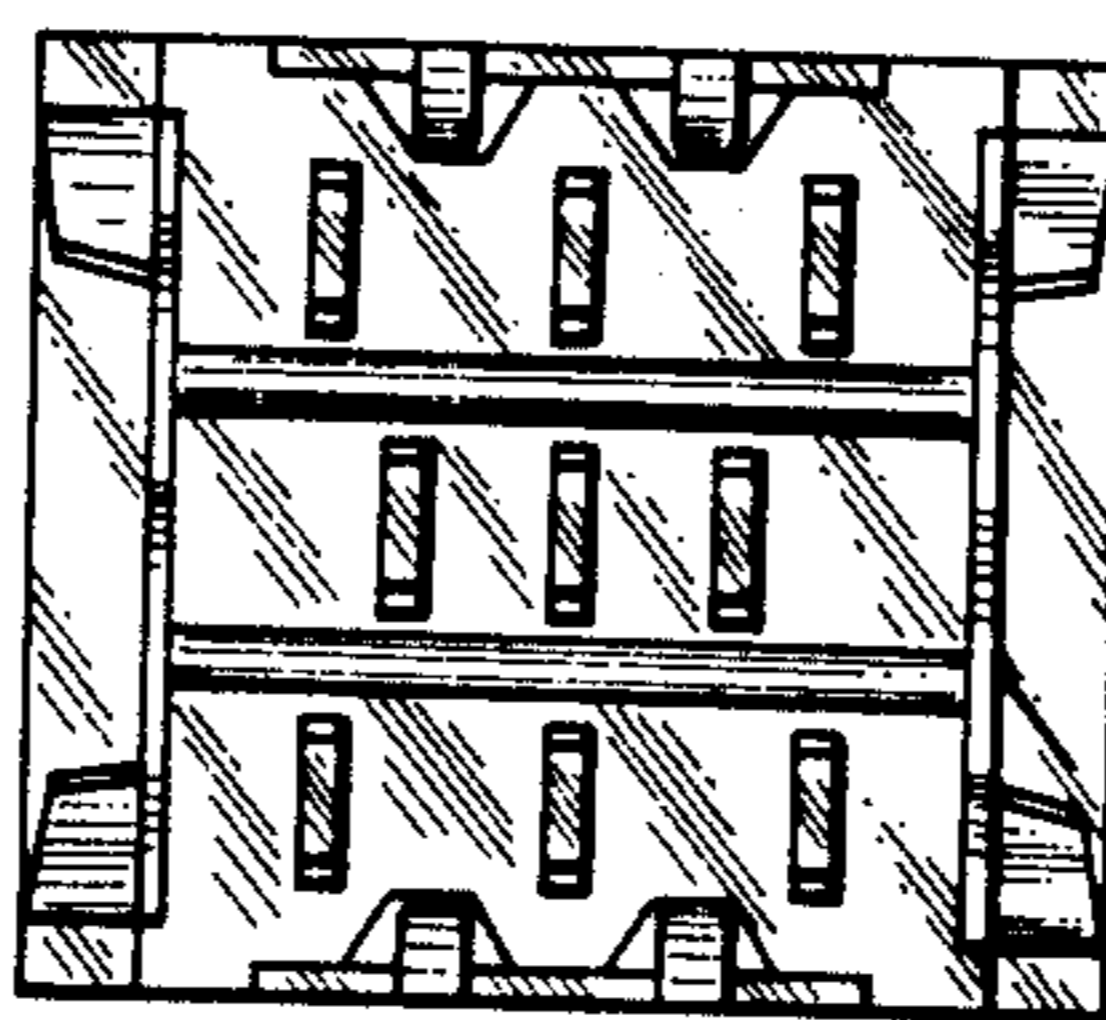


FIG. 38

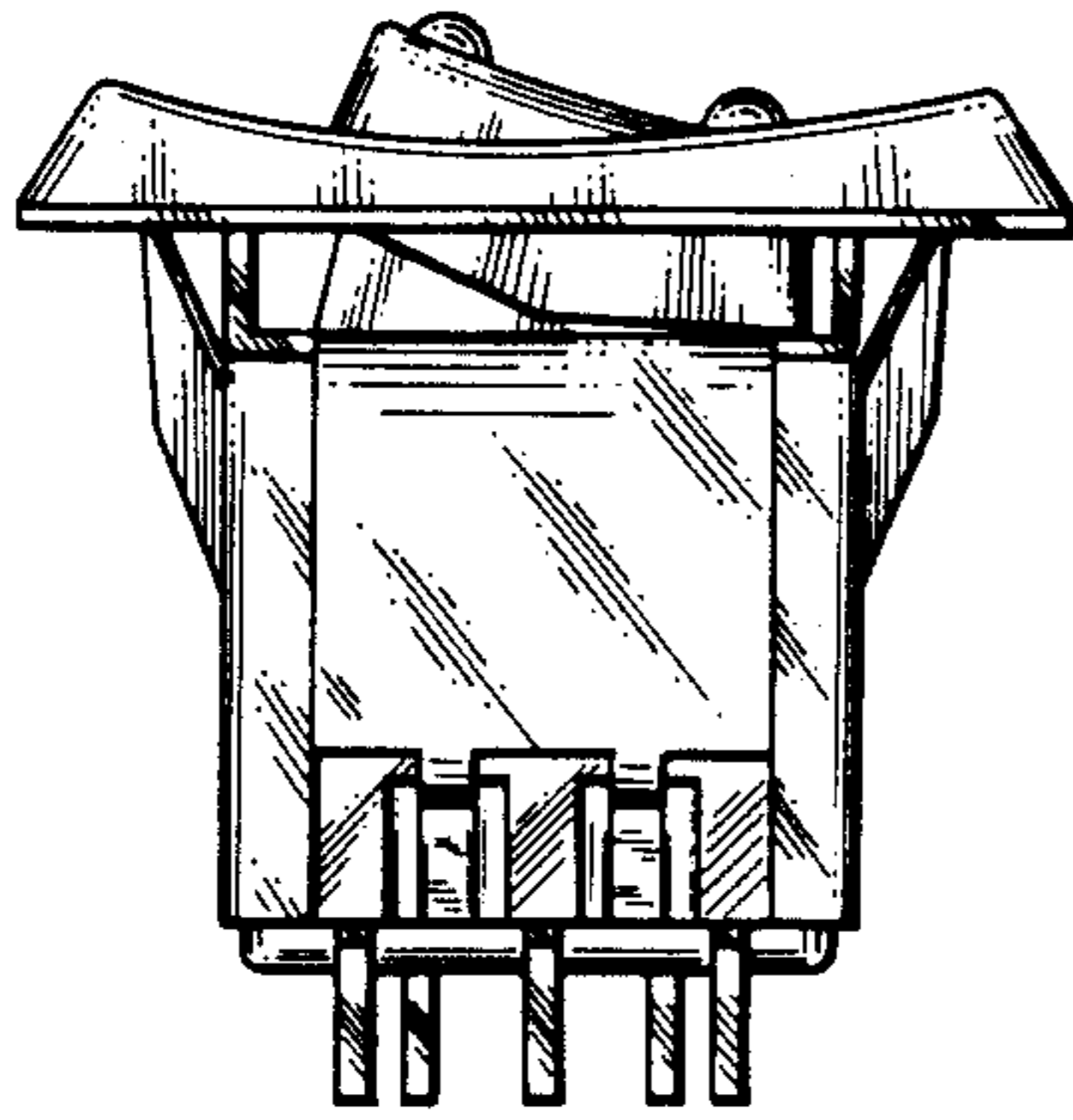


FIG. 39

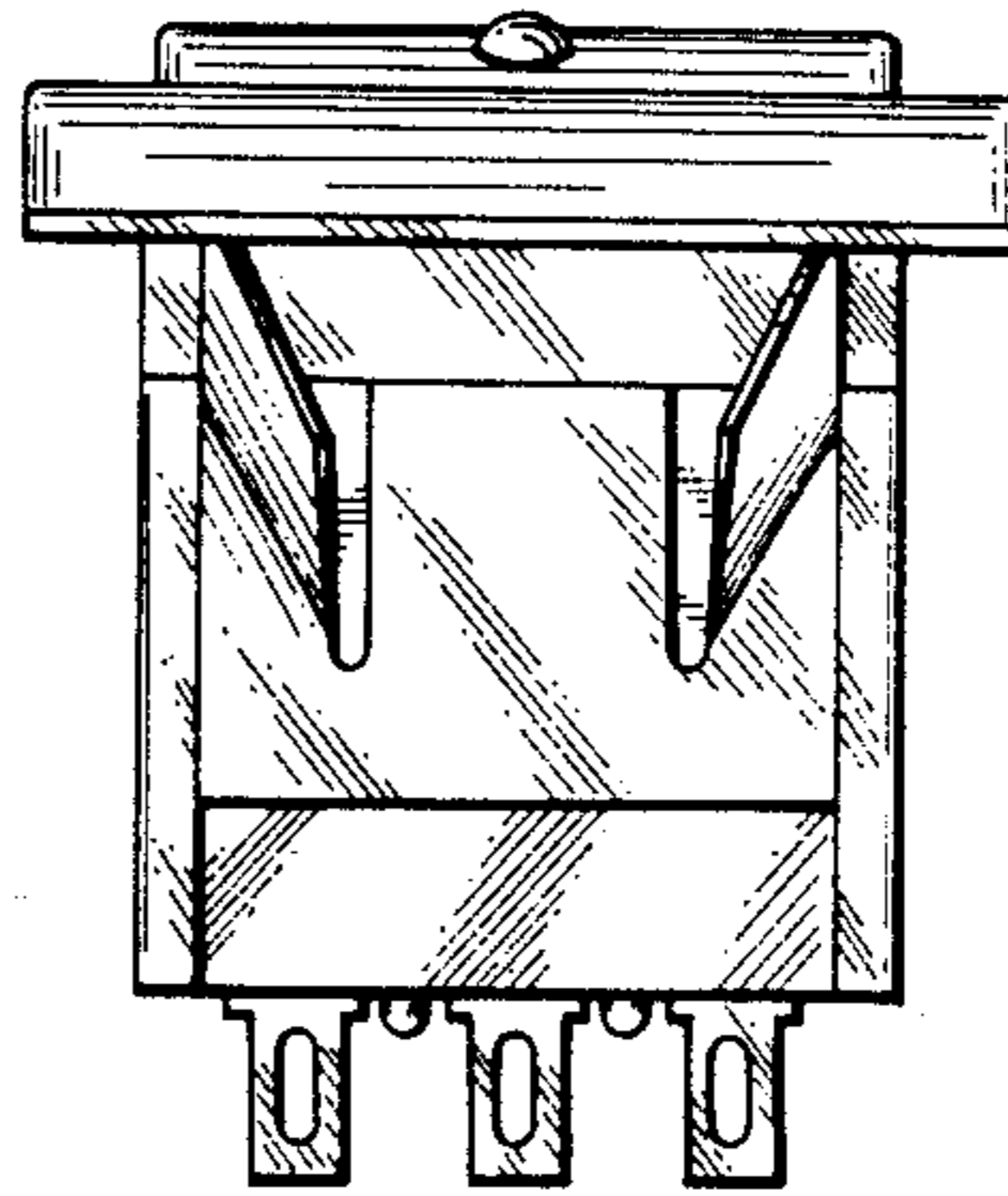


FIG. 40

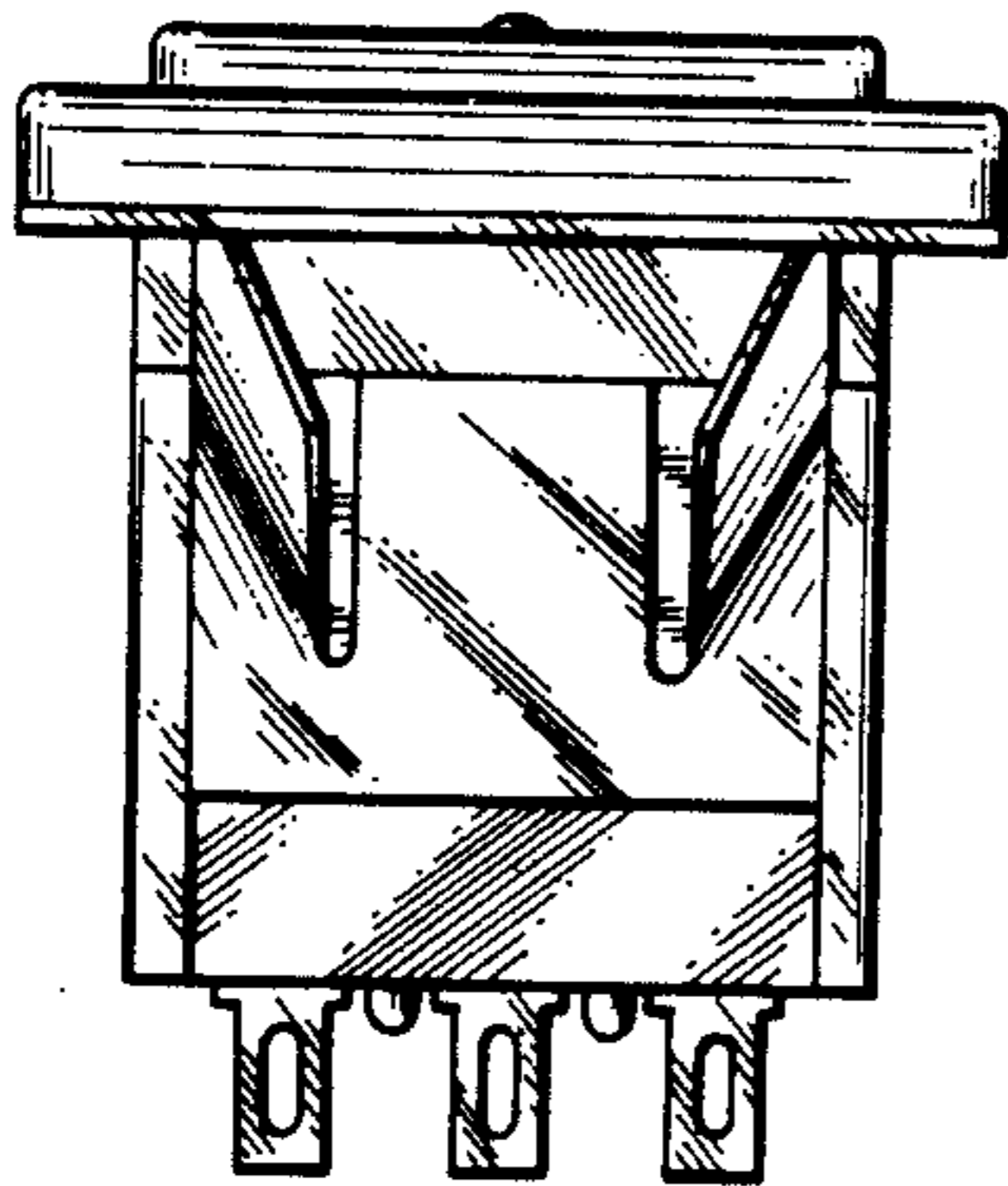


FIG. 41

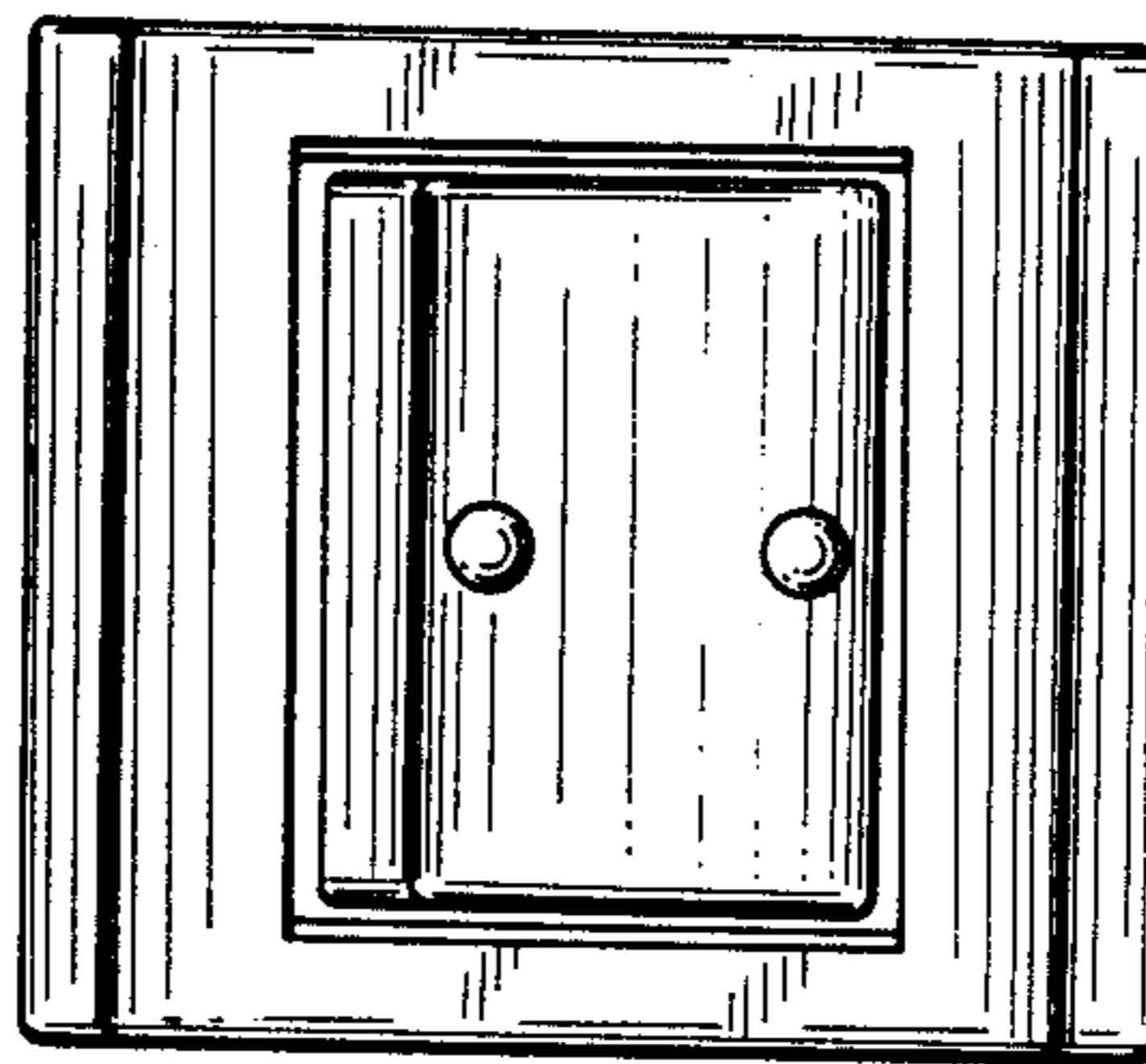


FIG. 42

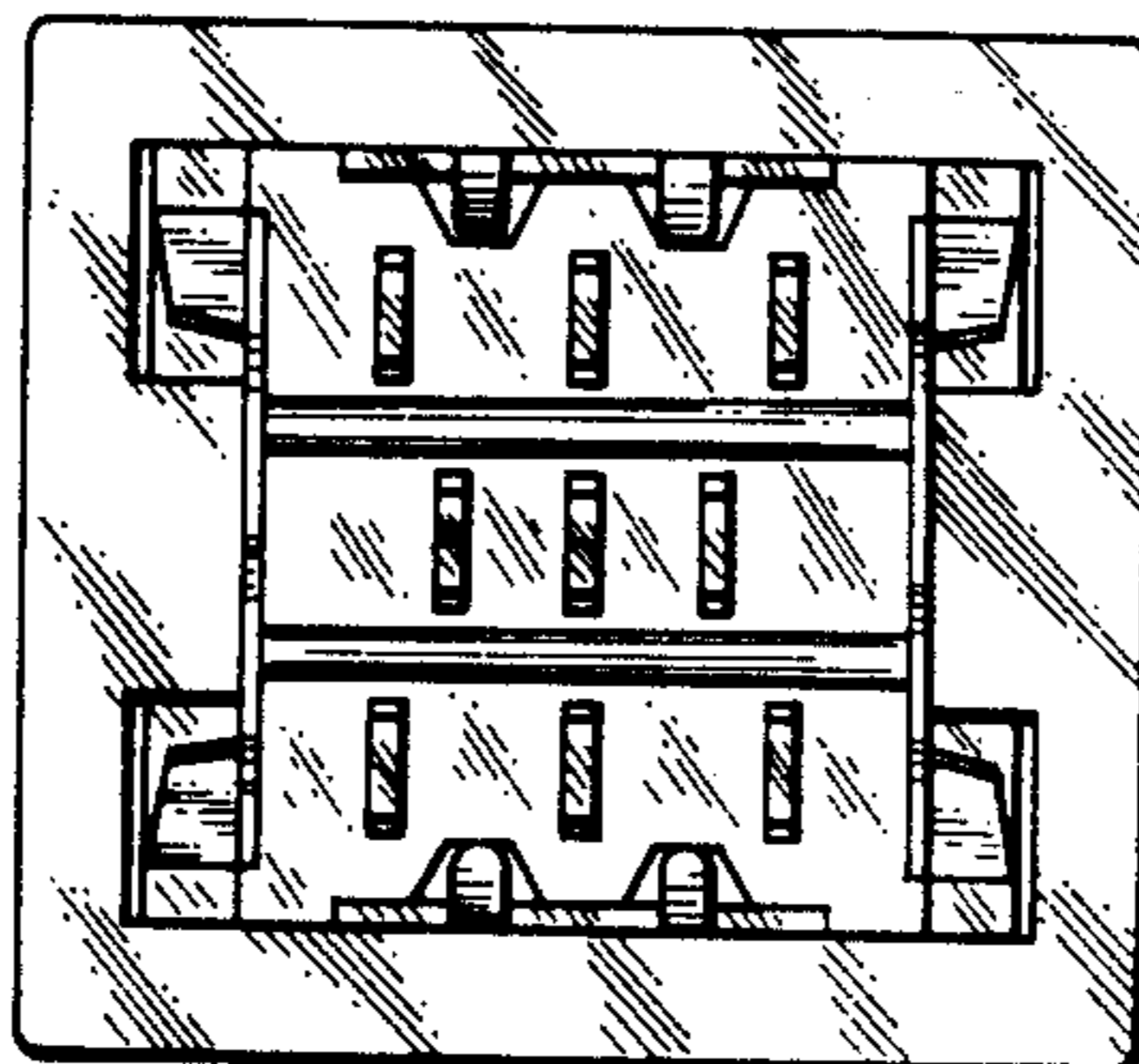


FIG. 43

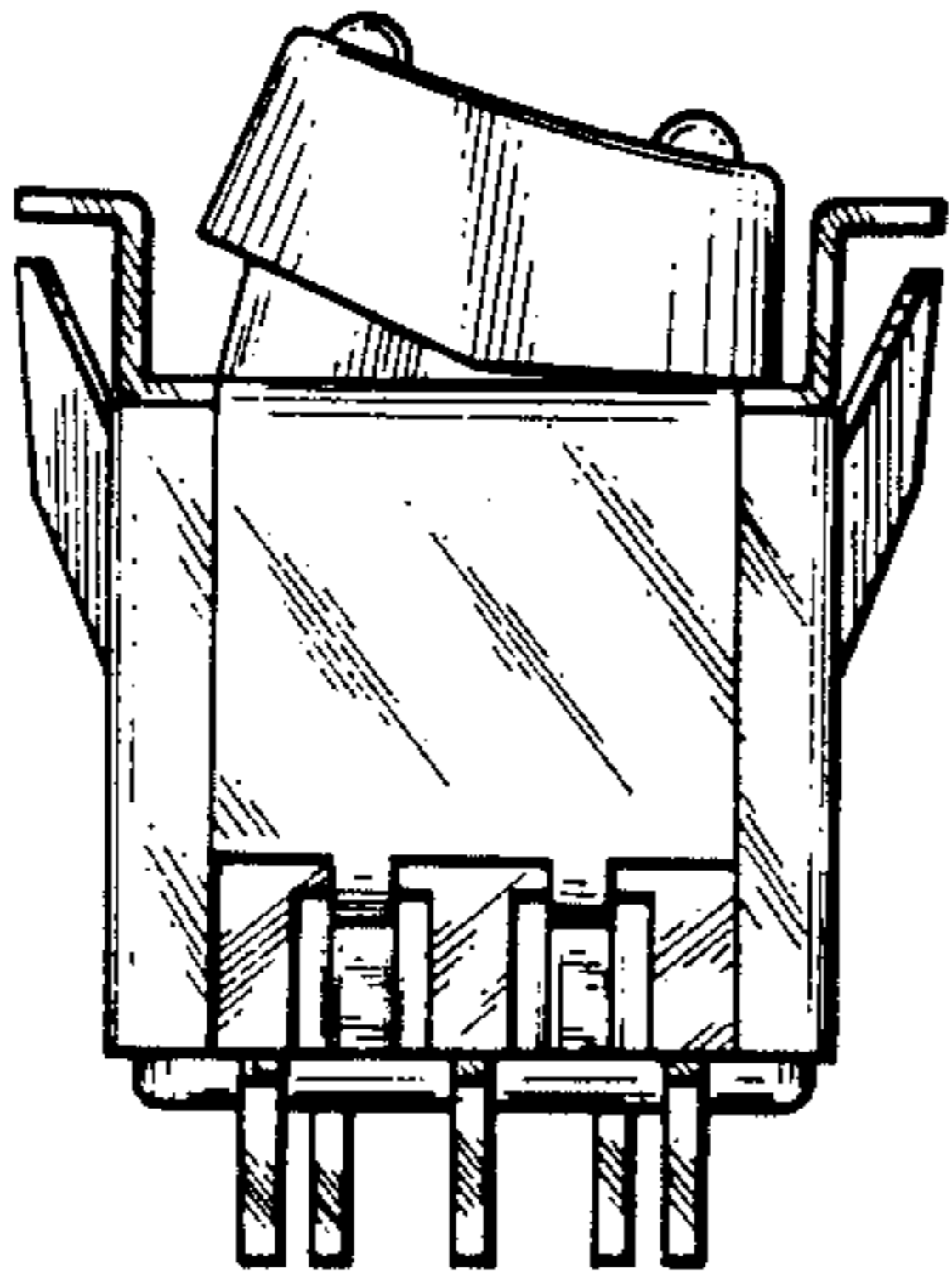


FIG. 44

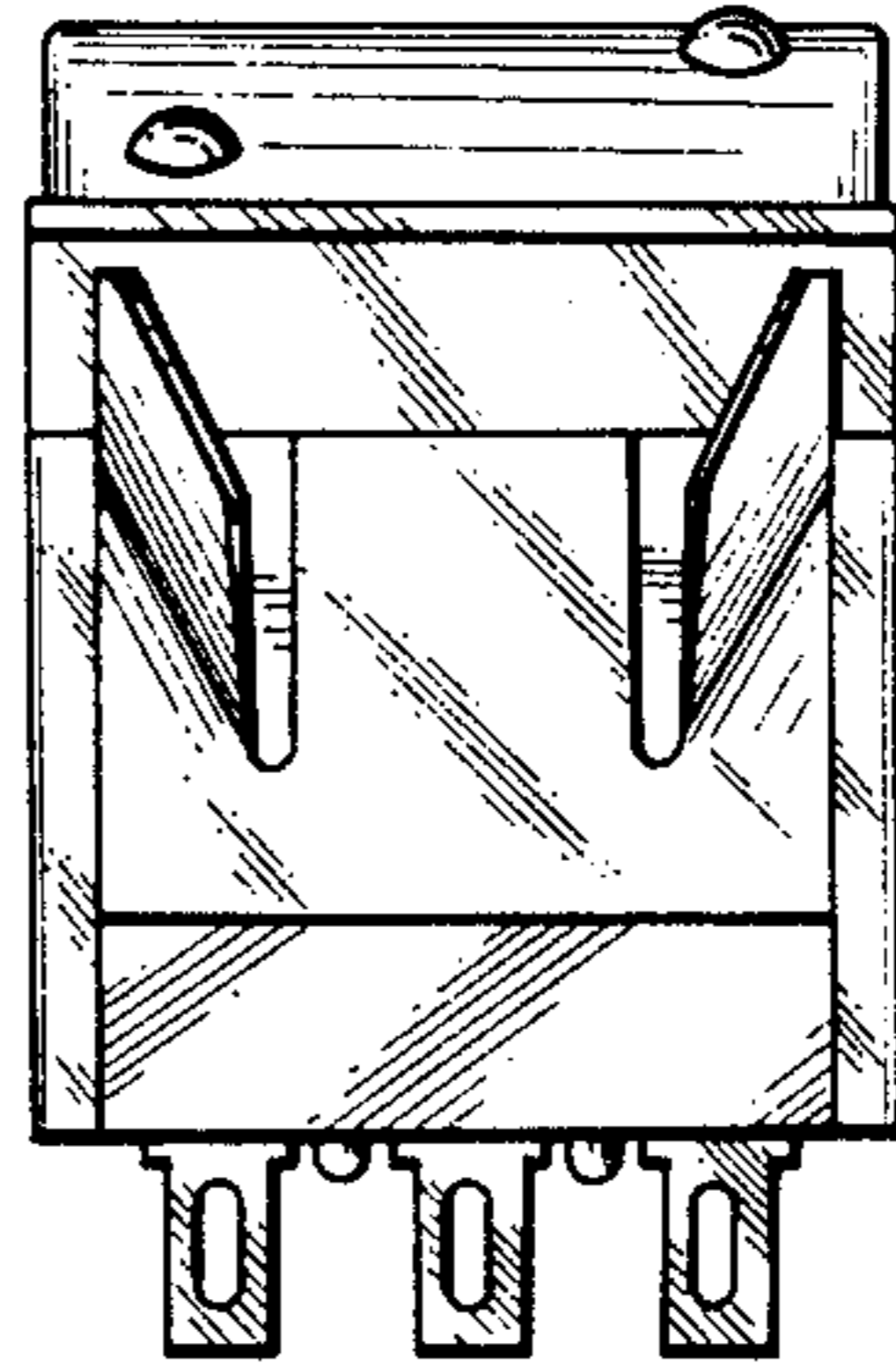


FIG. 45

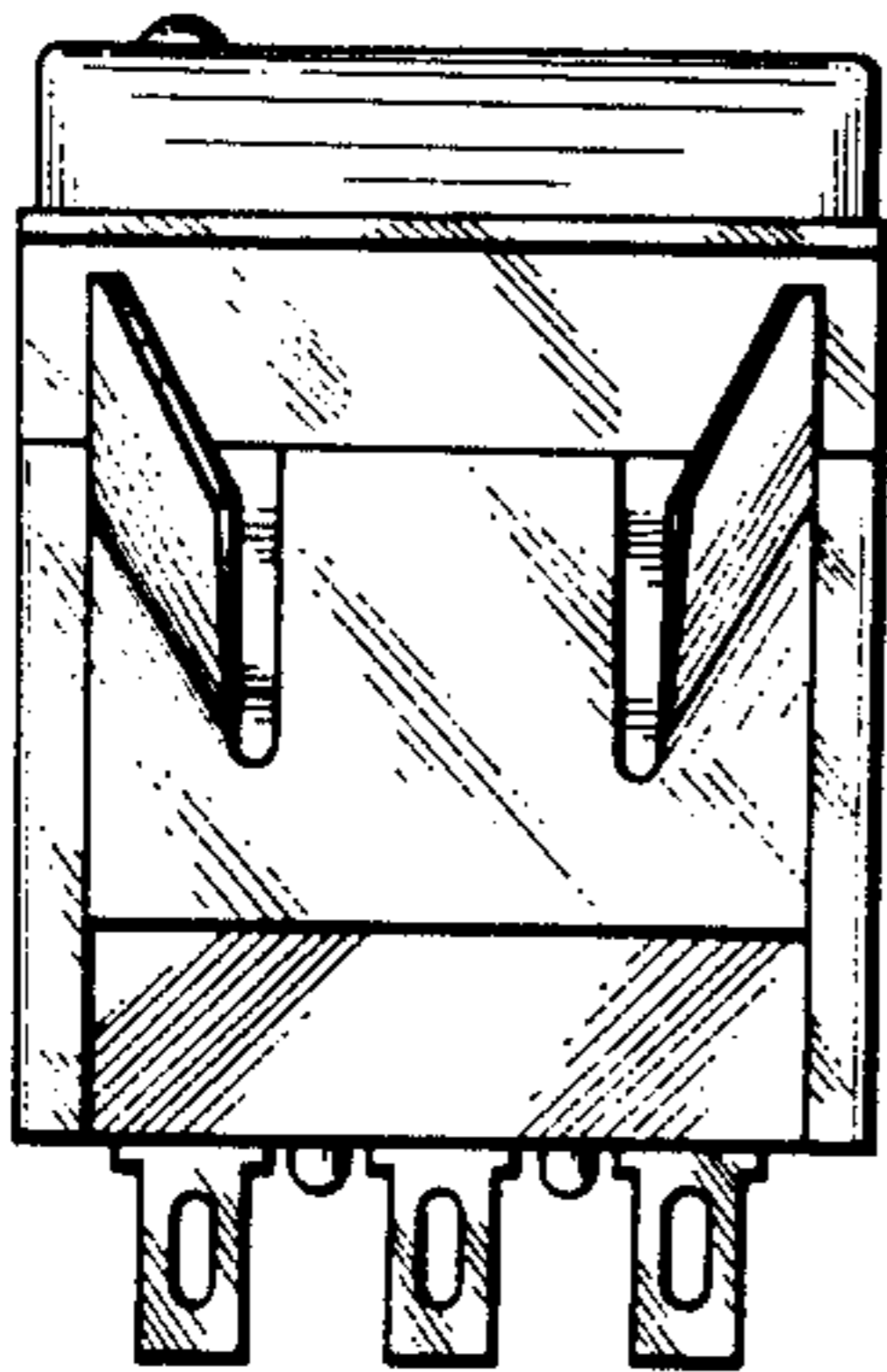


FIG. 46

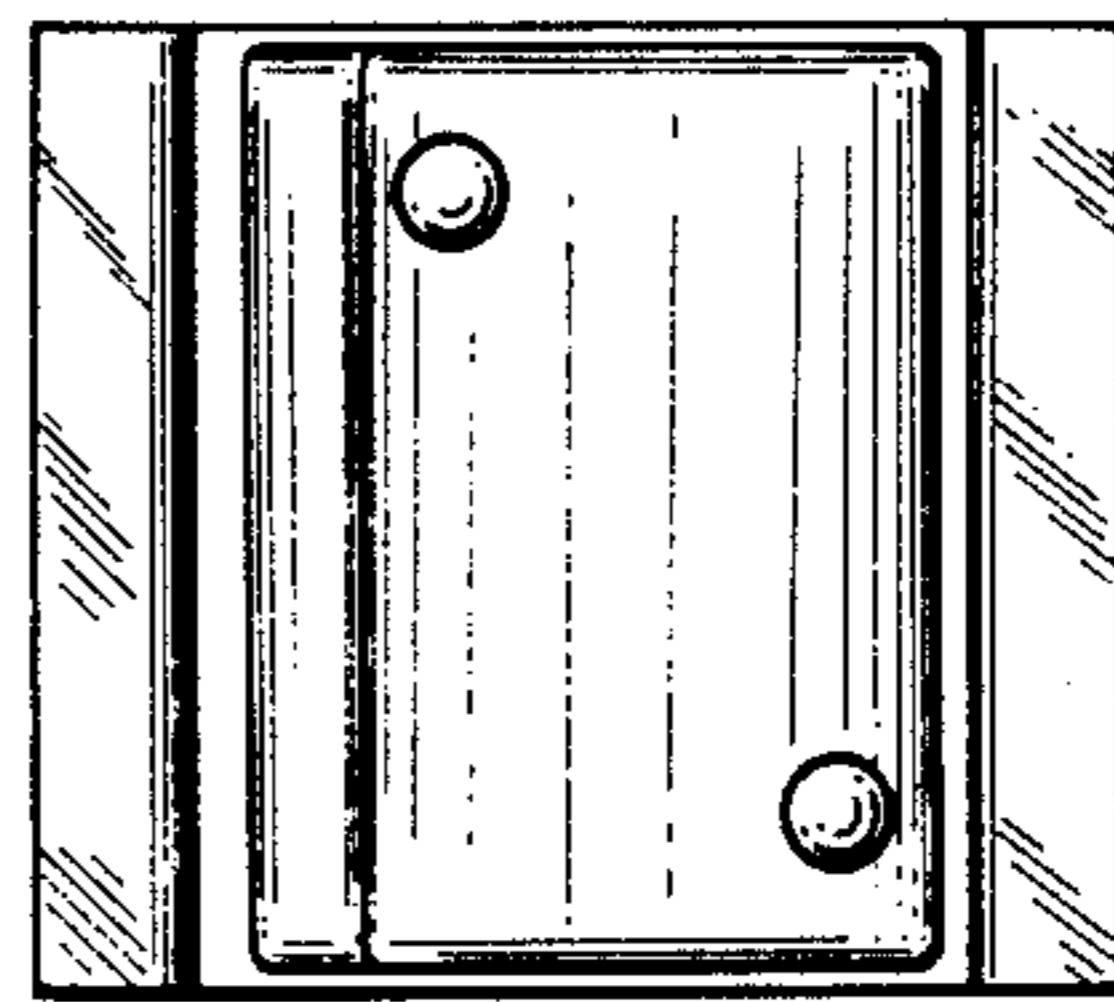


FIG. 47

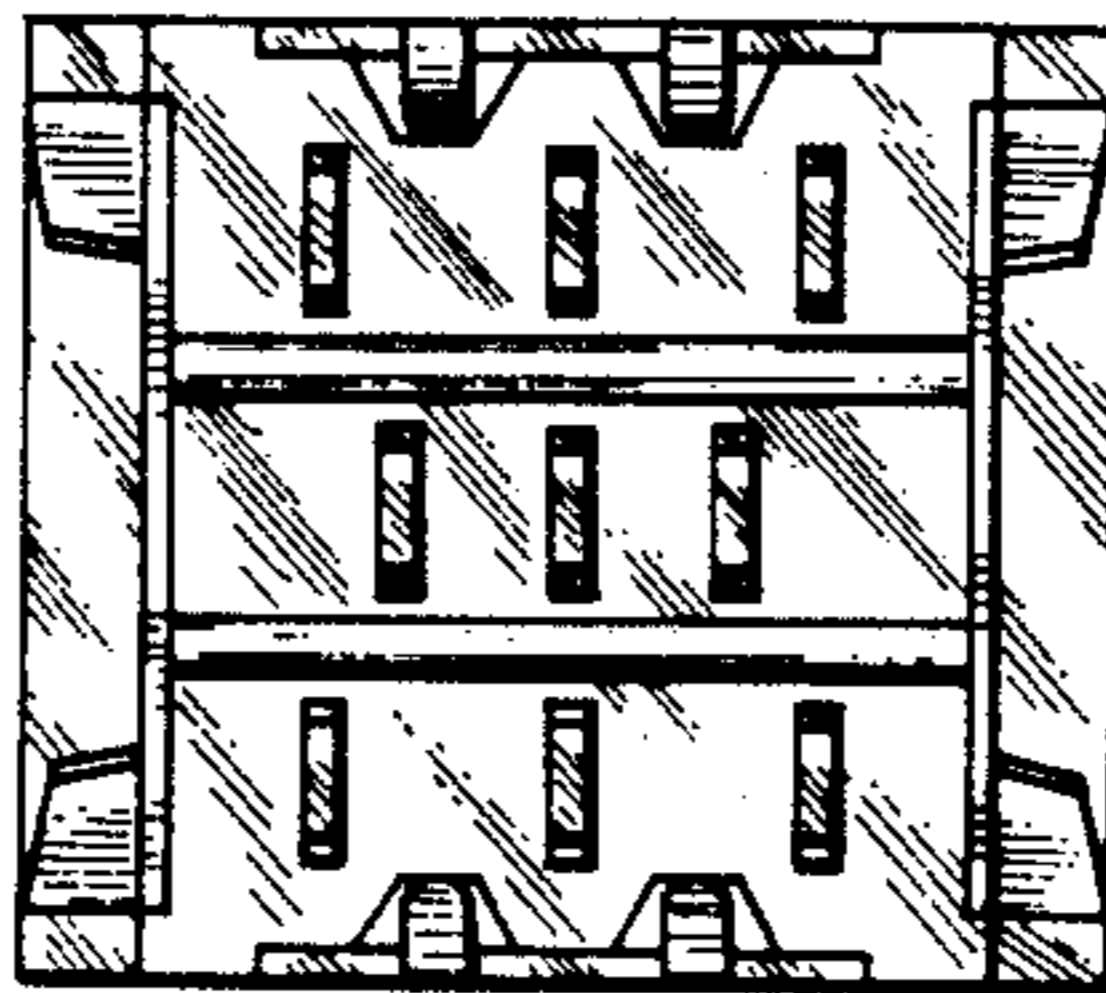


FIG. 48

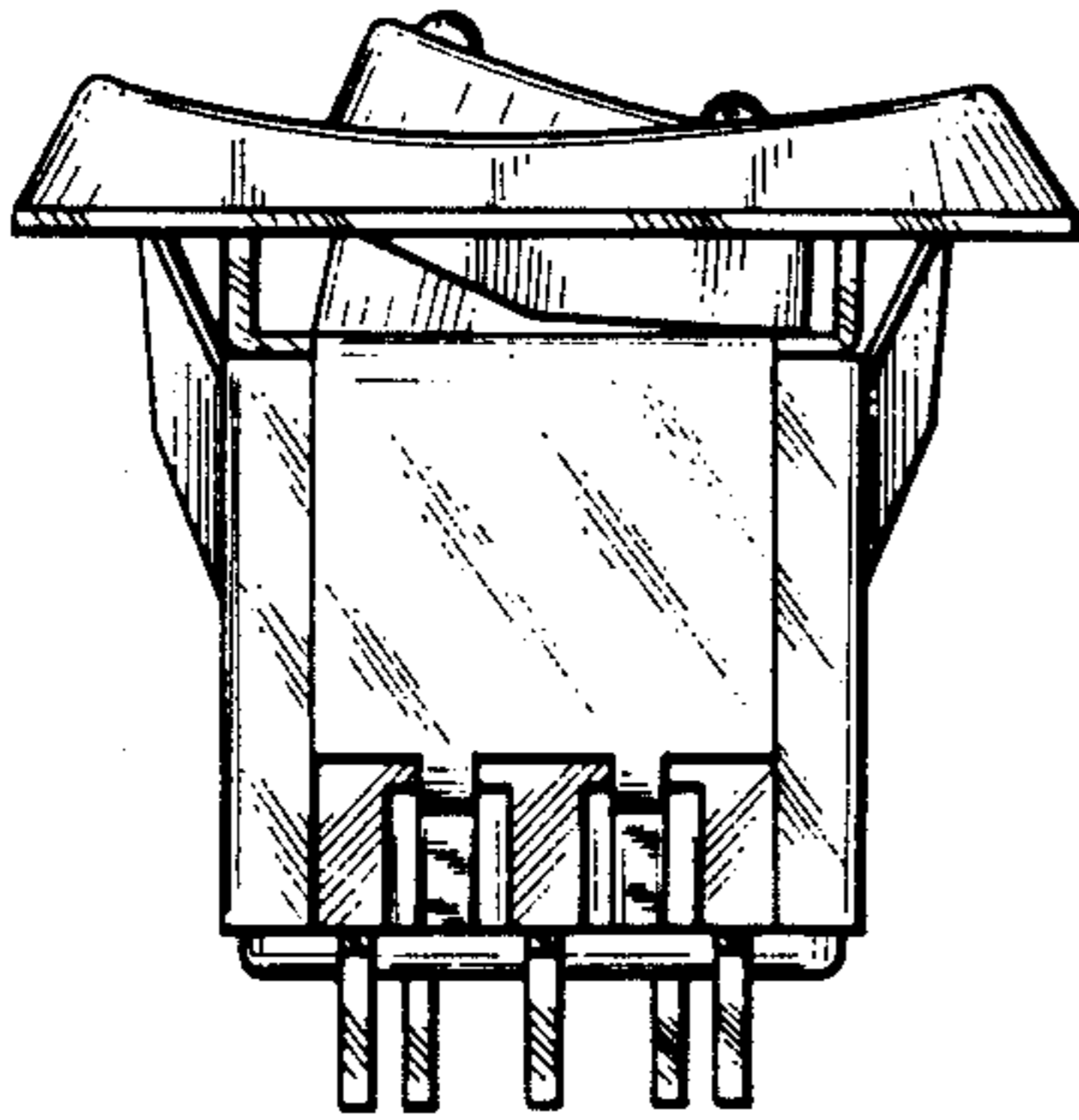


FIG. 49

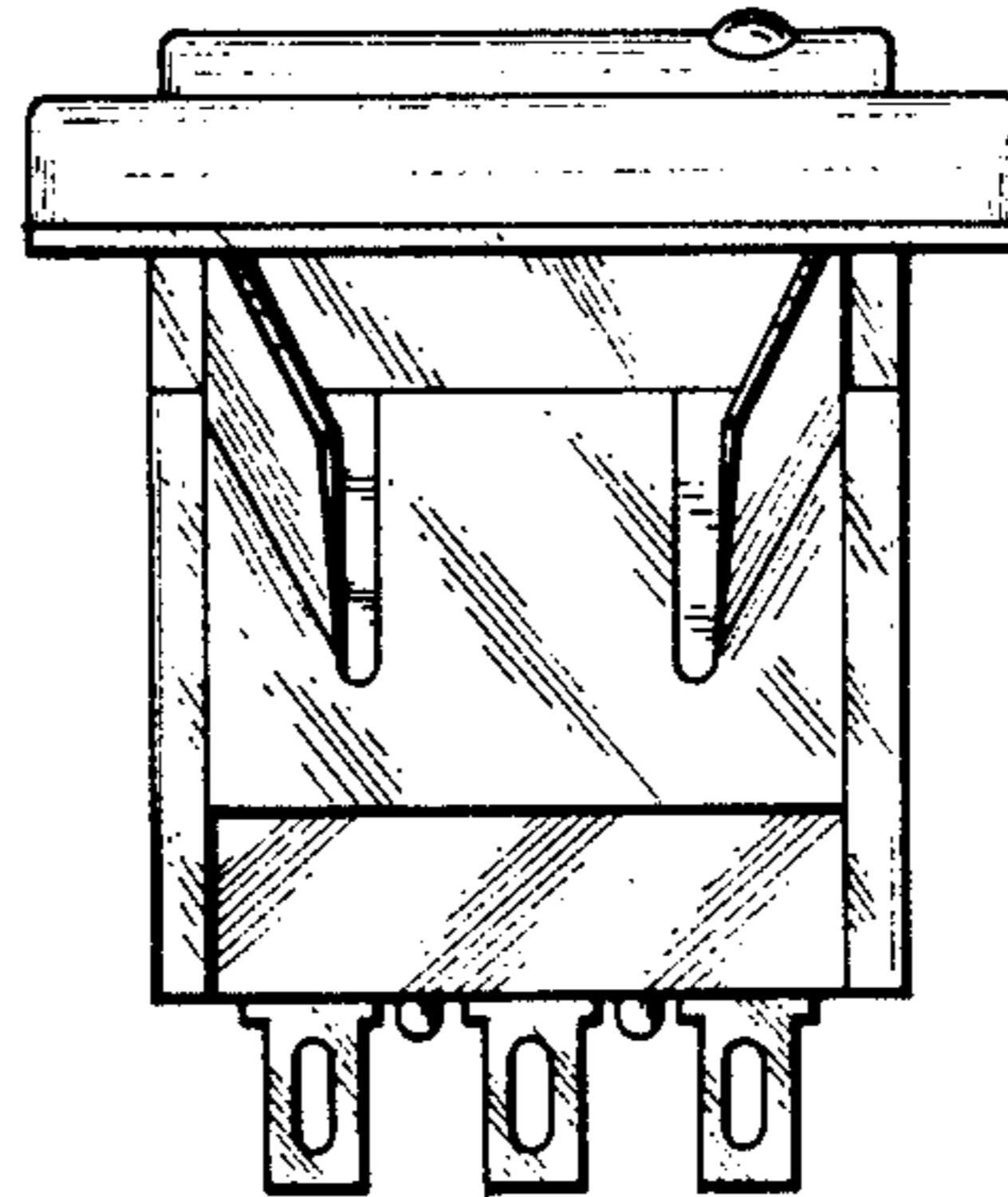


FIG. 50

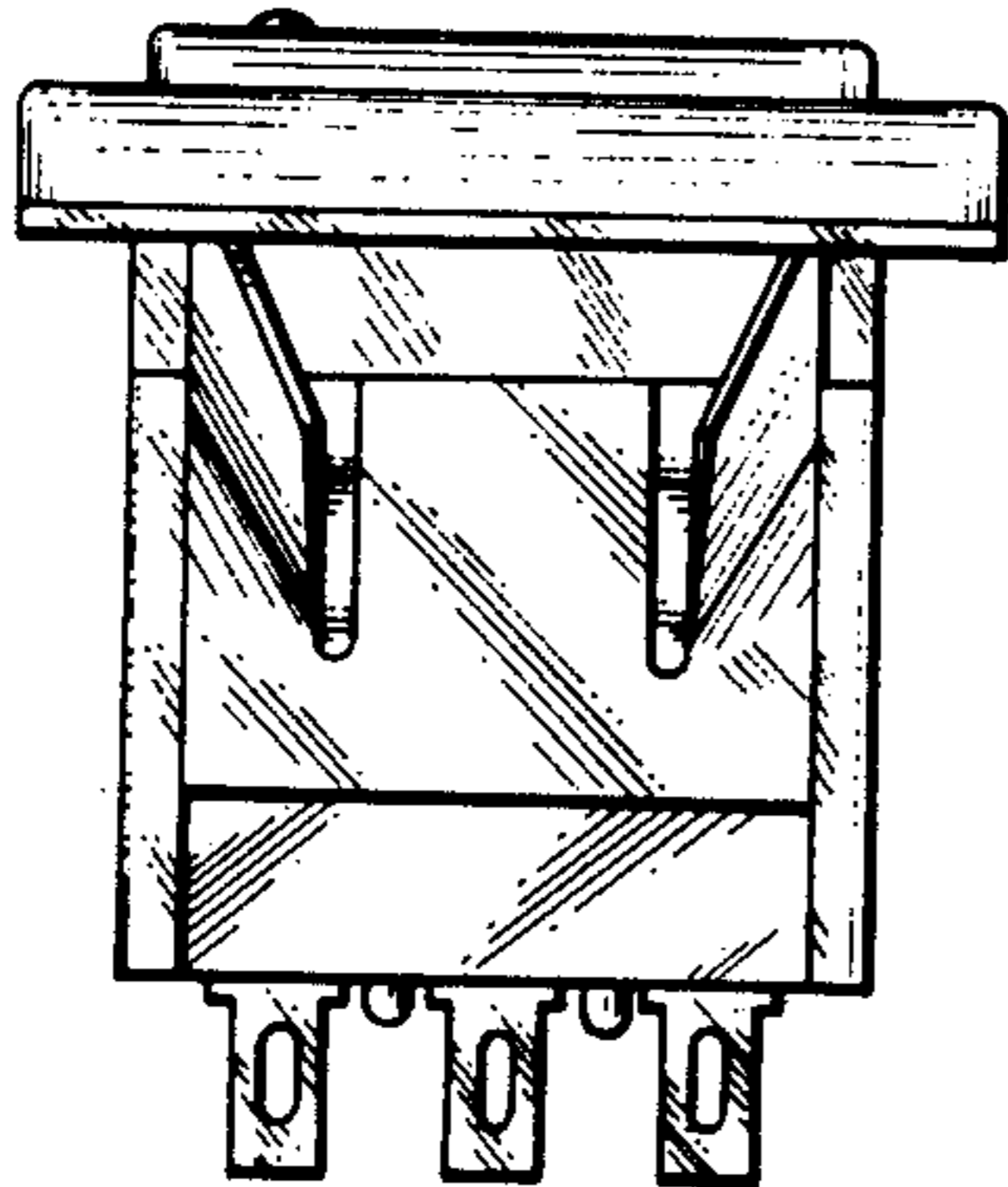


FIG. 51

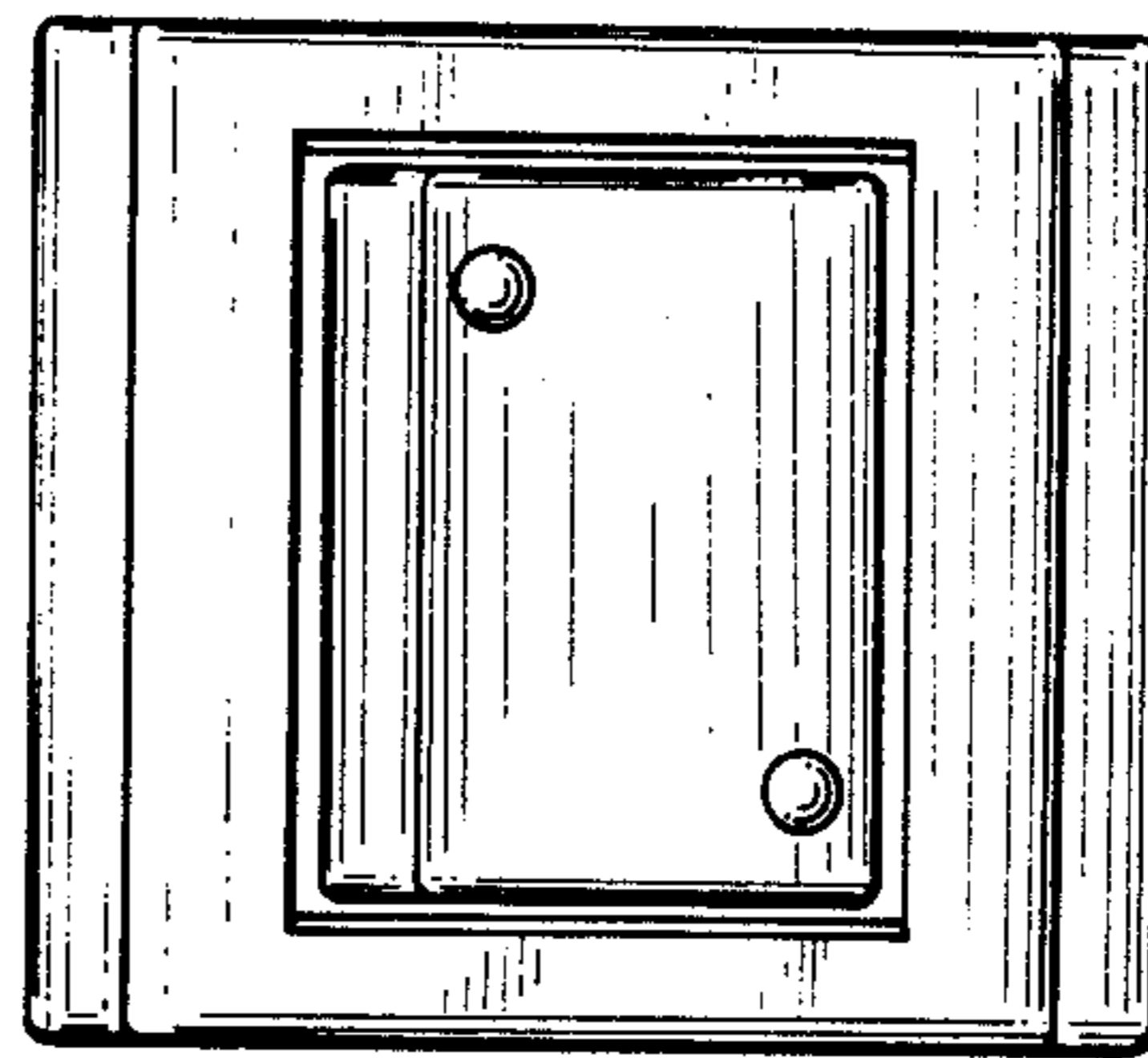


FIG. 52

