

[54] PICK-UP TRUCK CAP

[75] Inventor: John Collins, Elkhart, Ind.

[73] Assignee: Leer, Inc., Ind.

[**] Term: 14 Years

[21] Appl. No.: 890,851

[22] Filed: Mar. 27, 1978

[51] Int. Cl. D12-16

[52] U.S. Cl. D12/156

[58] Field of Search D12/156; 296/164-166, 296/10

[56] References Cited

U.S. PATENT DOCUMENTS

D. 247,029	1/1978	Fairthorne	D12/156
4,093,301	6/1978	Kwok	296/166

OTHER PUBLICATIONS

R. V. Dealer, 6/77, P105, Pick-up Truck Cap 2, top center of page.

Primary Examiner—James M. Gandy
Attorney, Agent, or Firm—Paul M. Craig, Jr.

[57] CLAIM

The ornamental design for a pick-up truck cap, as shown.

DESCRIPTION

FIG. 1 is a perspective view of a pick-up truck cap, showing my new design;
FIG. 2 is a top plan view thereof;
FIG. 3 is a left side elevation view thereof;
FIG. 4 is a front elevation view thereof;
FIG. 5 is a rear elevation view thereof,
FIG. 6 is a bottom plan view thereof.

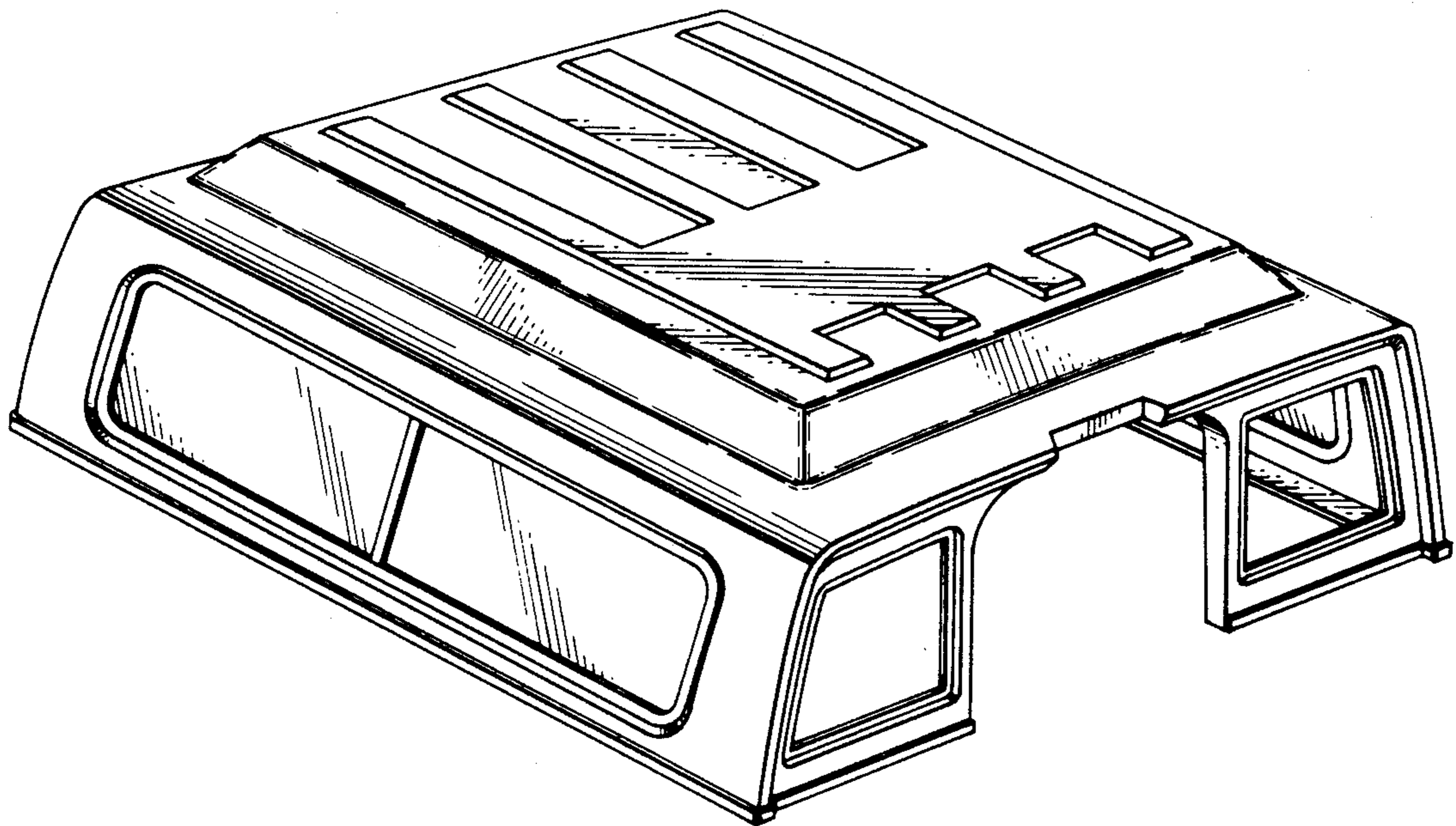


FIG. 1.

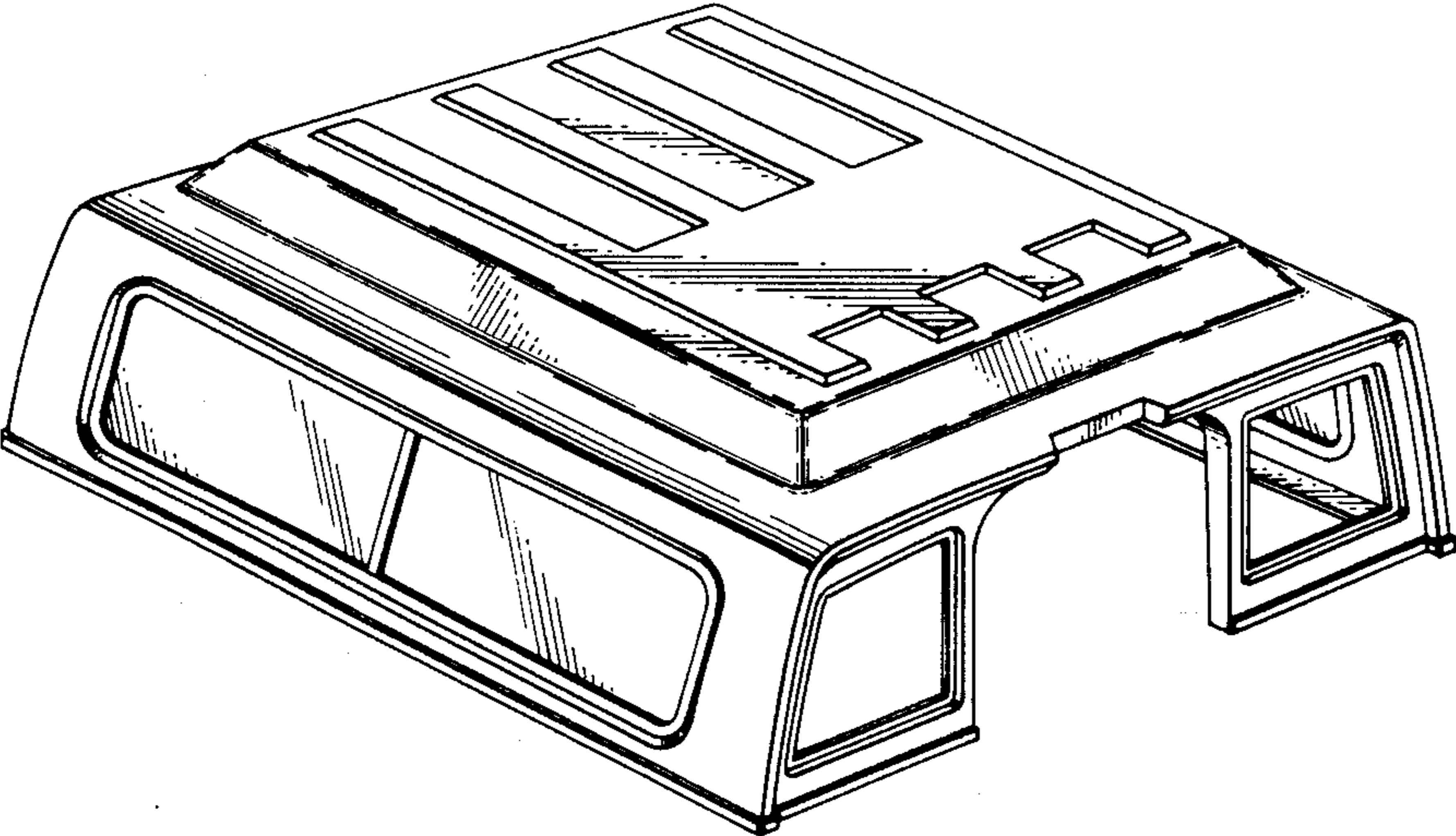


FIG. 2.

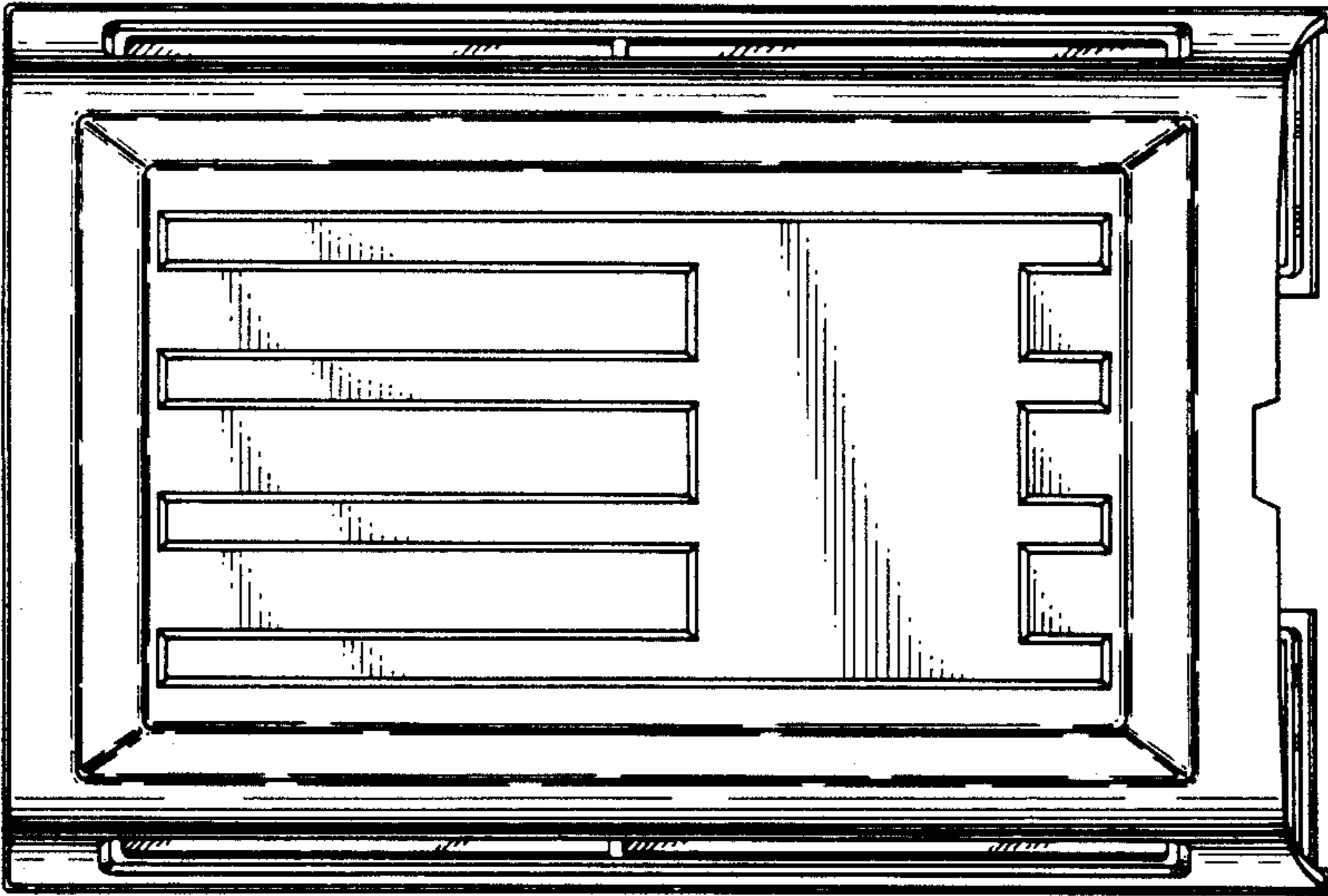


FIG. 3.

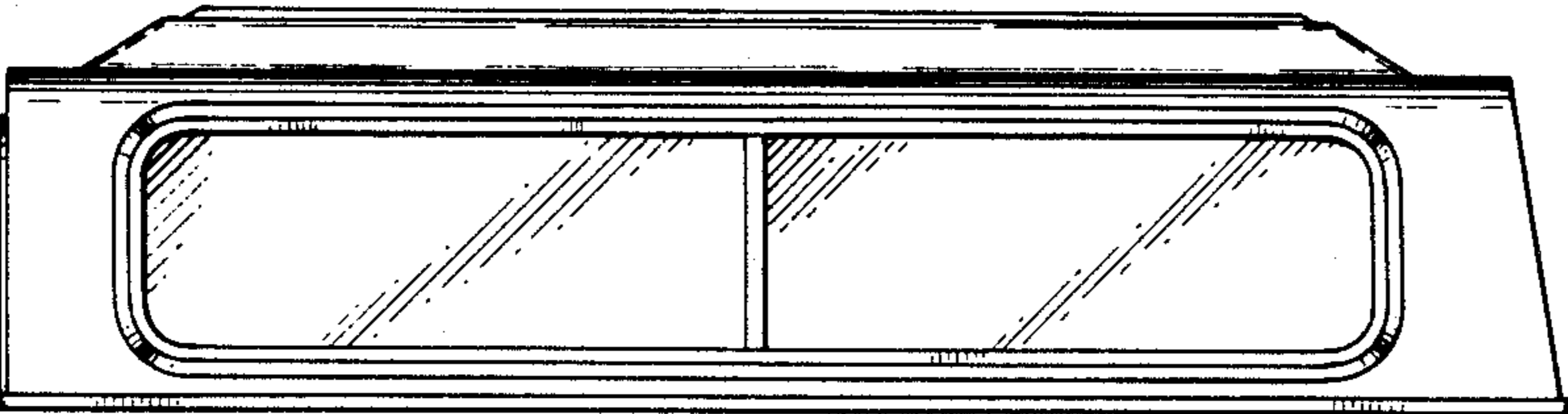


FIG. 4.

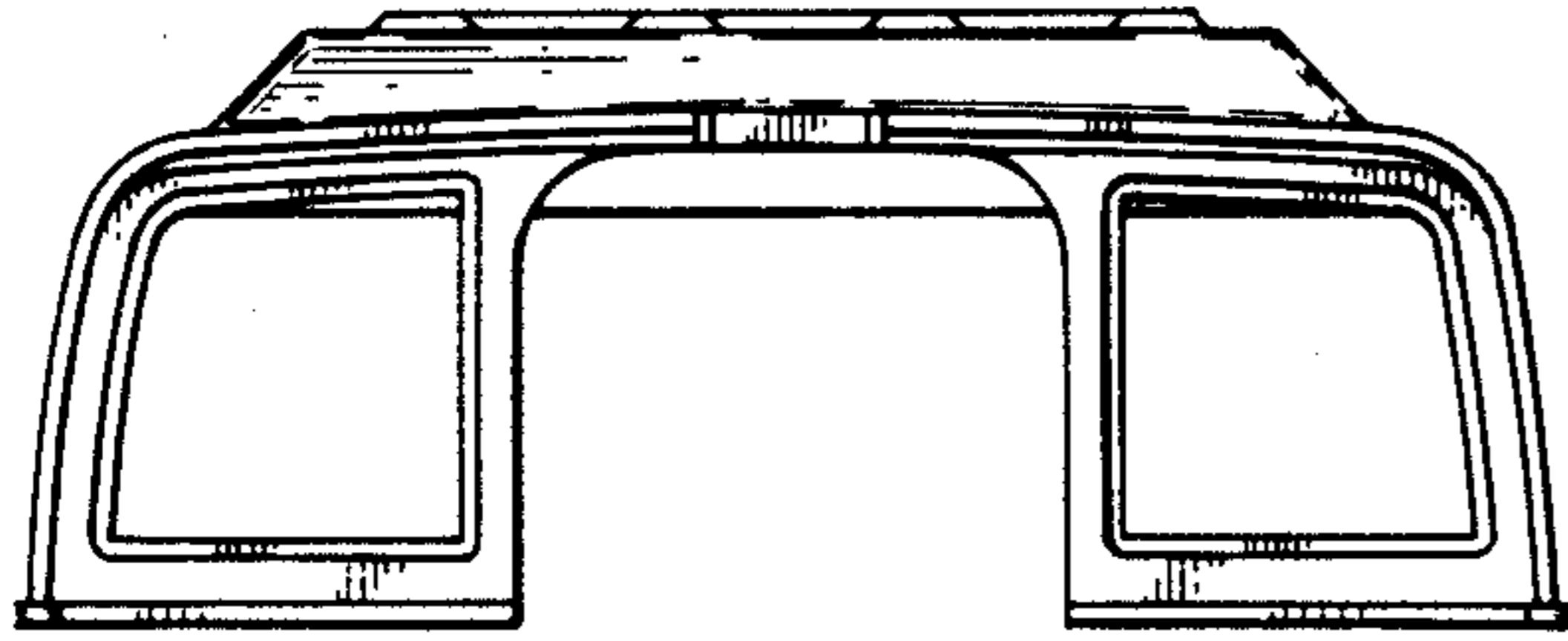


FIG. 5.

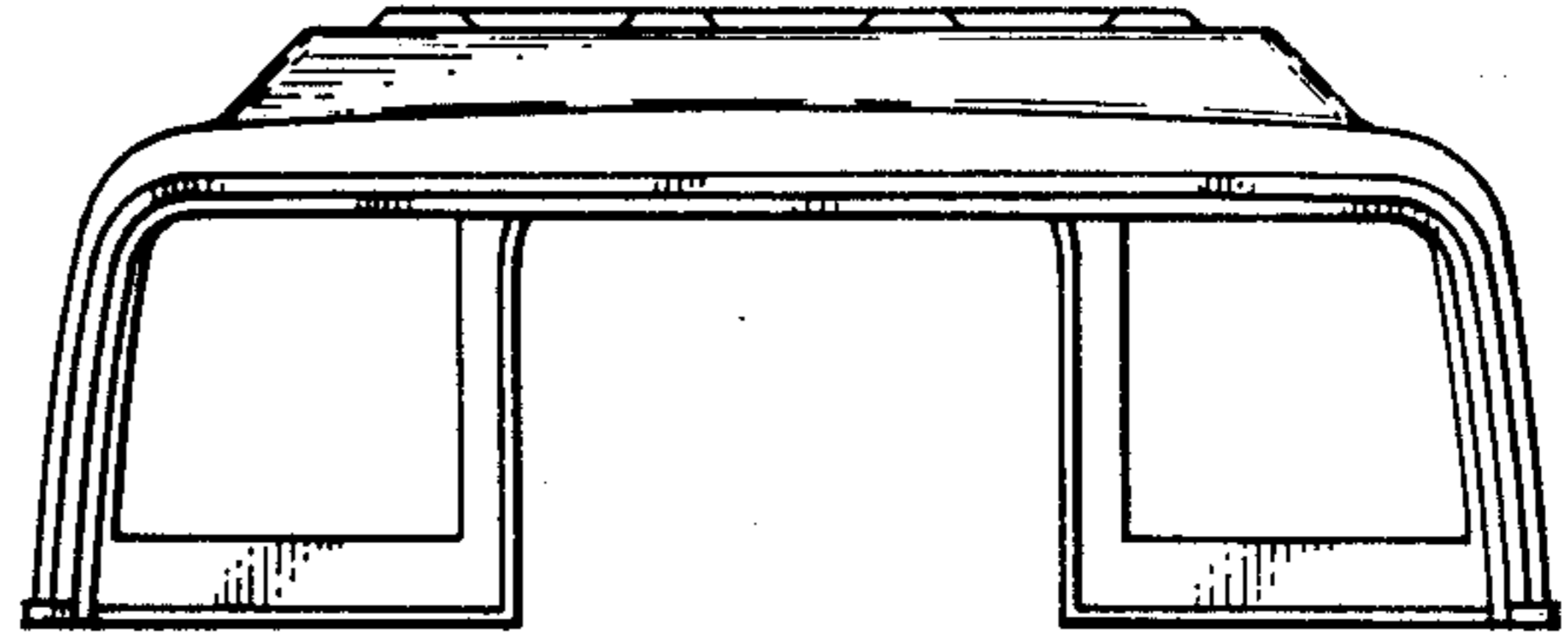


FIG. 6.

