

[54] POCKET TIMEPIECE

[76] Inventor: Eric Oppliger, Rte. des Convers,
2616 Renan, Switzerland

[**] Term: 14 Years

[21] Appl. No.: 786,397

[22] Filed: Apr. 11, 1977

[51] Int. Cl. D10-02

[52] U.S. Cl. D10/37

[58] Field of Search D10/30, 31, 33-37,
D10/122-126; 58/53-56, 88 R, 88 G, 125 R,
126 R, 126 A, 127 R

[56] References Cited

U.S. PATENT DOCUMENTS

D. 17,109 2/1887 Rapp D10/34
D. 21,721 7/1892 Depollier D10/34

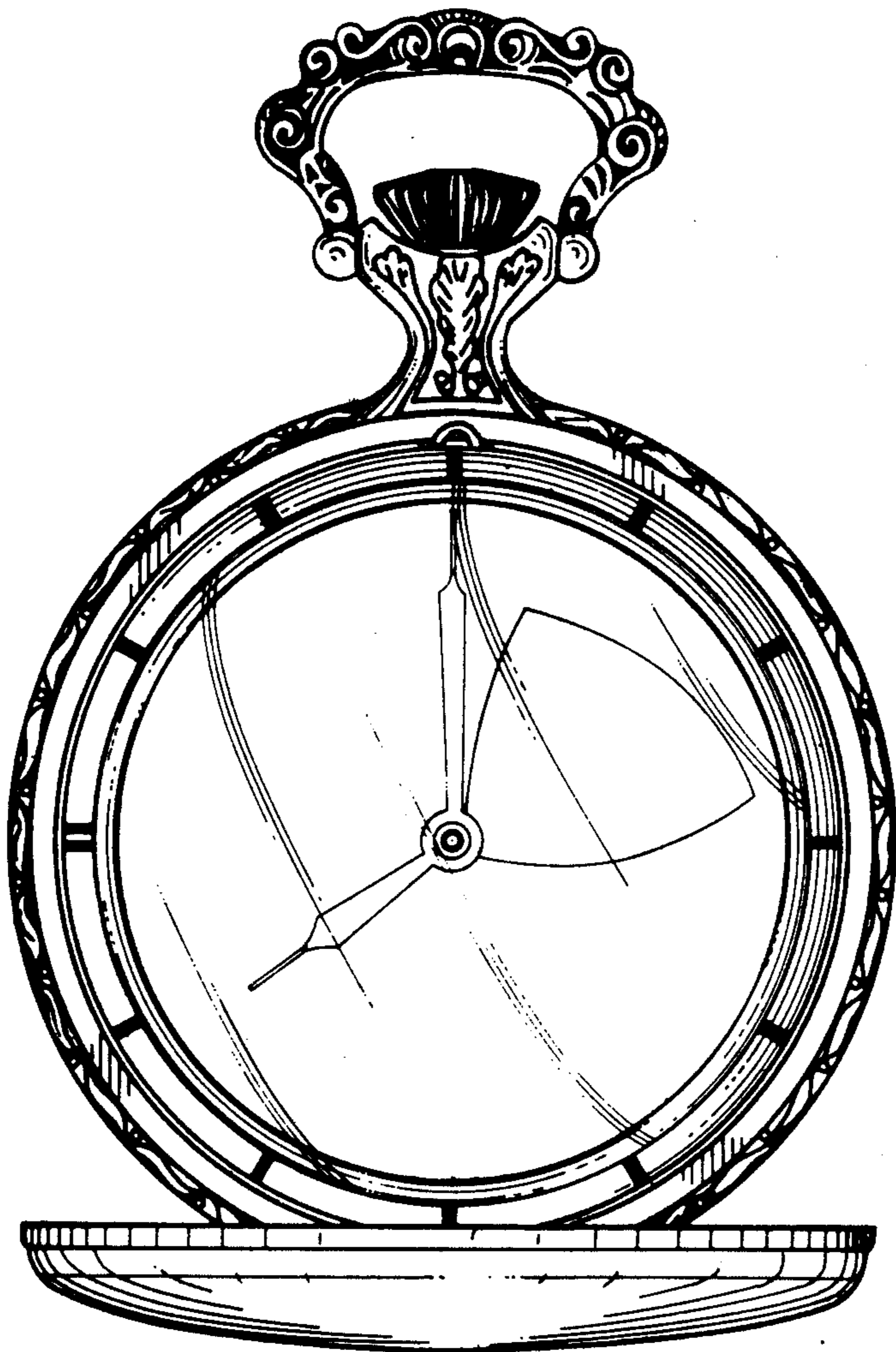
Primary Examiner—Nelson C. Holtje
Attorney, Agent, or Firm—Robert E. Burns; Emmanuel
J. Lobato; Bruce L. Adams

[57] CLAIM

The ornamental design for a pocket timepiece, substan-
tially as shown.

DESCRIPTION

FIG. 1 is a top plan view of a pocket timepiece showing
my new design with the cover opened;
FIG. 2 is a side elevational view thereof;
FIG. 3 is a side elevational view thereof with the cover
closed.



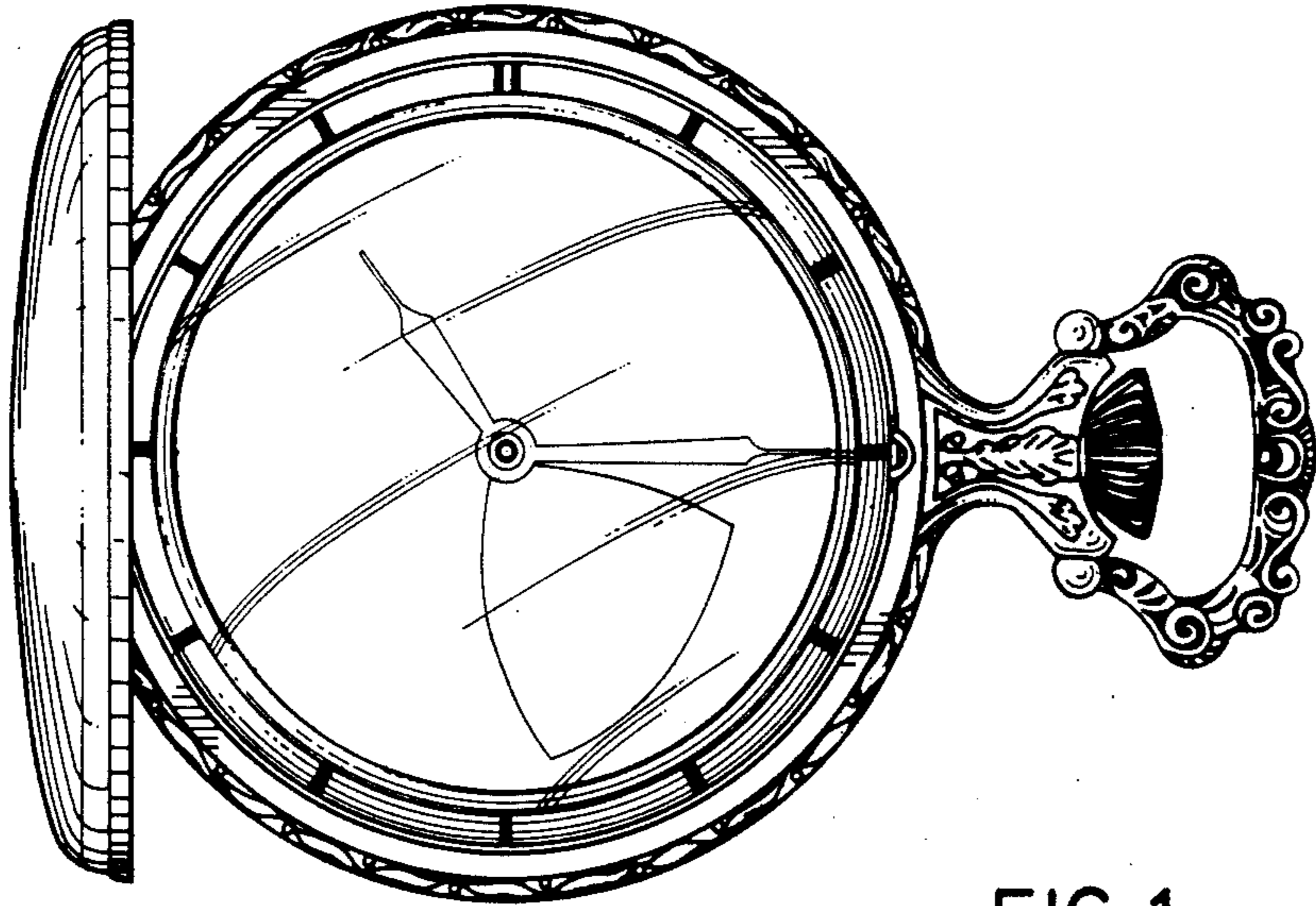


FIG. 1

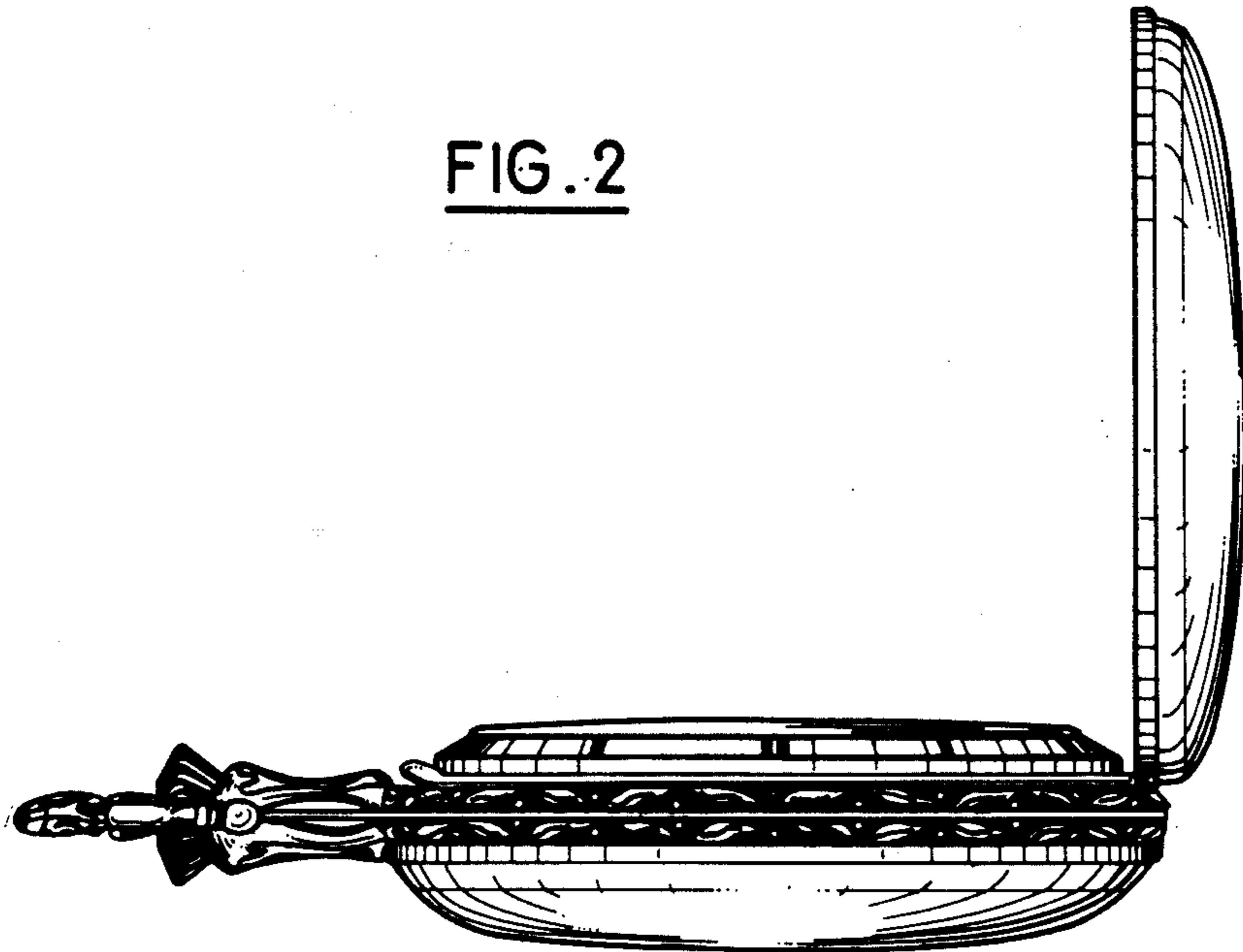


FIG. 2

FIG. 3

