

[54] BOX

[56]

References Cited

U.S. PATENT DOCUMENTS

[76] Inventor: William A. Moore, 2204 Fiesta Ave.,
Newport Beach, Calif. 92660

3,829,004 8/1974 Graser 229/30 X
4,053,098 10/1977 Baptist 229/44 R X

Primary Examiner—Robert C. Spangler
Attorney, Agent, or Firm—Louis J. Knobbe

[**] Term: 14 Years

[57] CLAIM

[21] Appl. No.: 823,804

The ornamental design for a box, as shown and described.

DESCRIPTION

[22] Filed: Aug. 11, 1977

FIG. 1 is a top, front perspective view of a box showing my new design;

[51] Int. Cl. D9—03

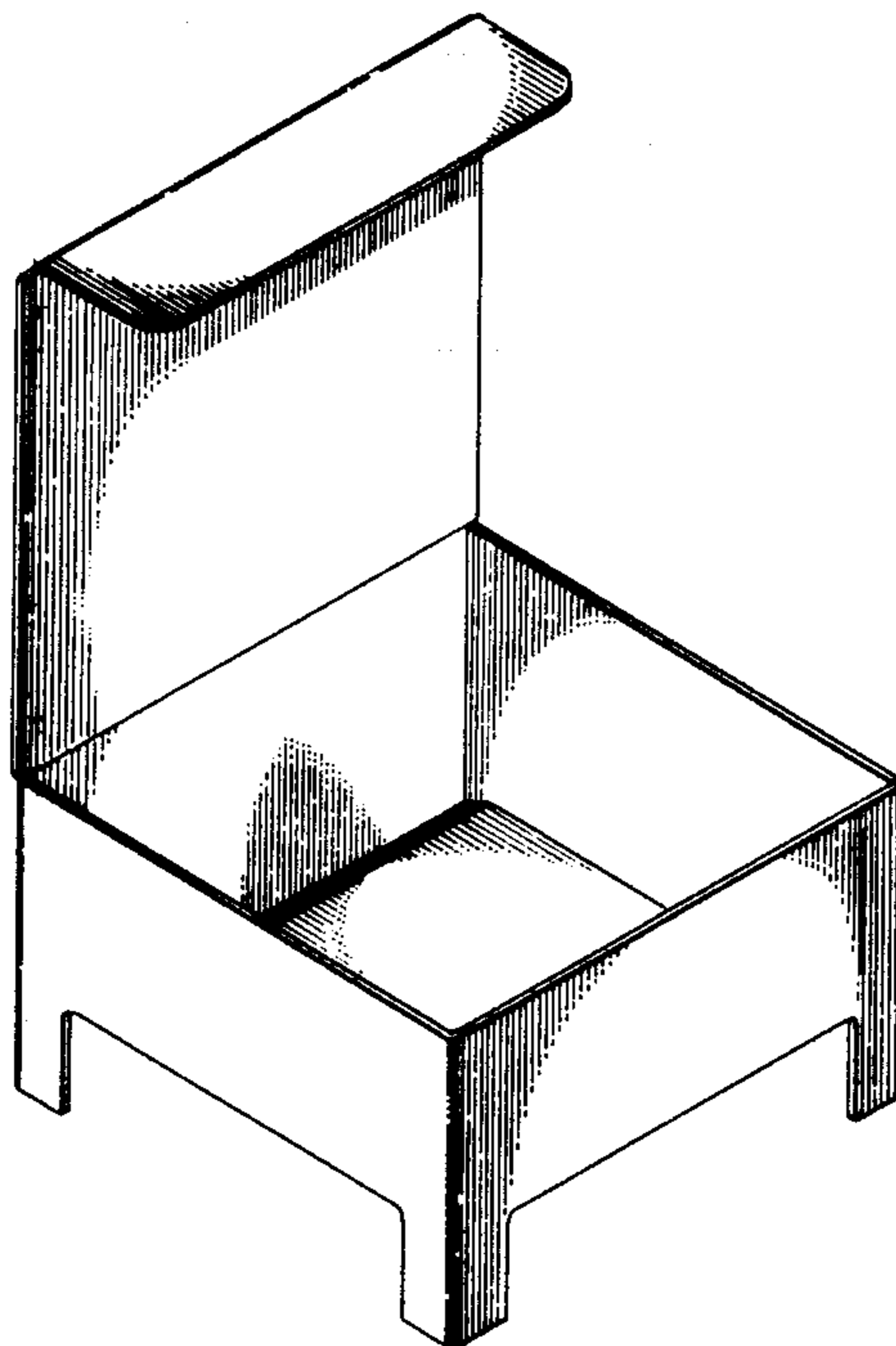
FIG. 2 is a bottom, rear perspective view thereof;

[52] U.S. Cl. D9/224; D9/231

FIG. 3 is a bottom plan view as sighted along lines 3—3 on FIG. 1; and

[58] Field of Search 229/6 R, 30, 41 R, 44 R;
D9/230-236

FIG. 4 is a top, front perspective view with the top cover shown in an open position.



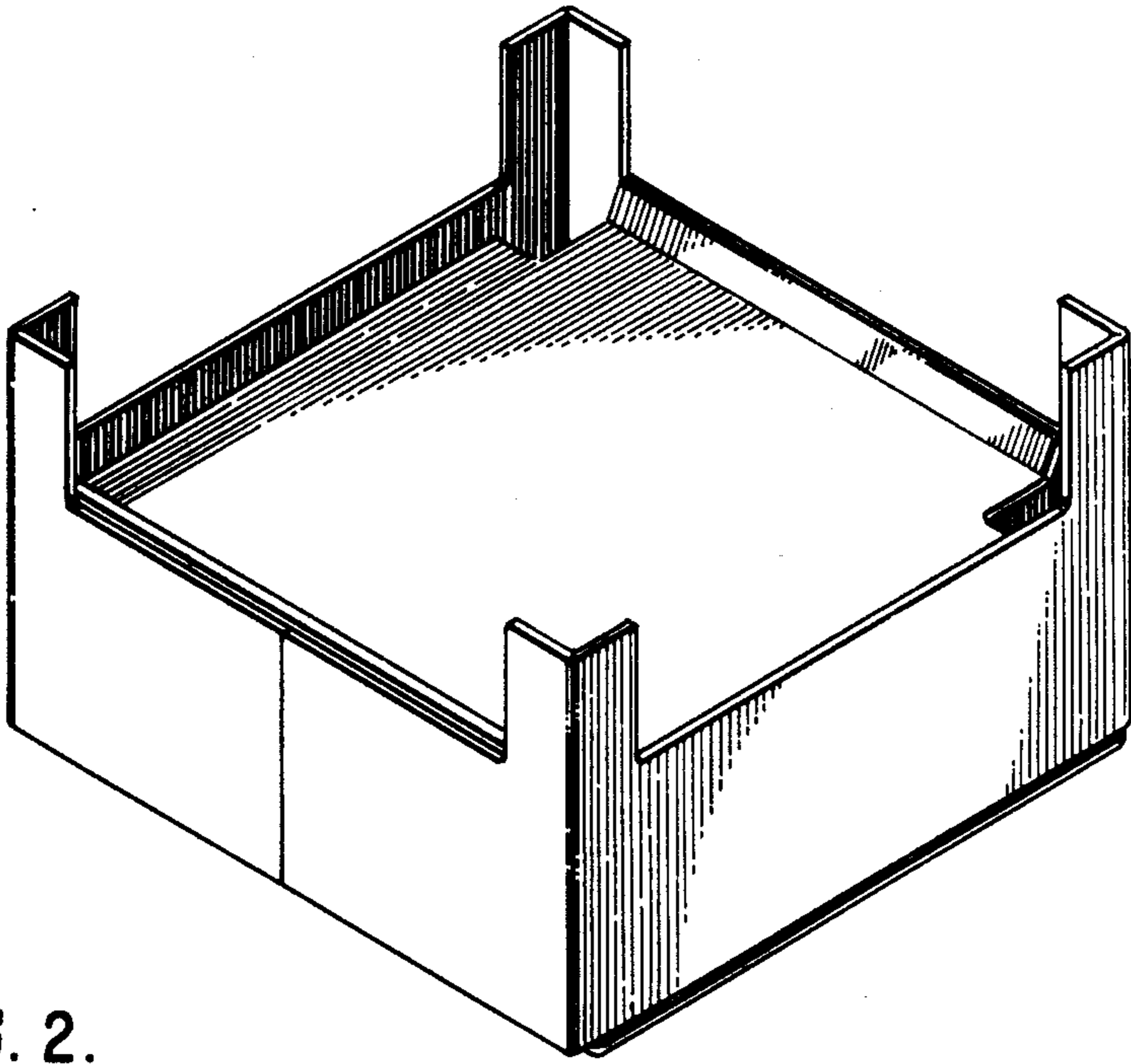
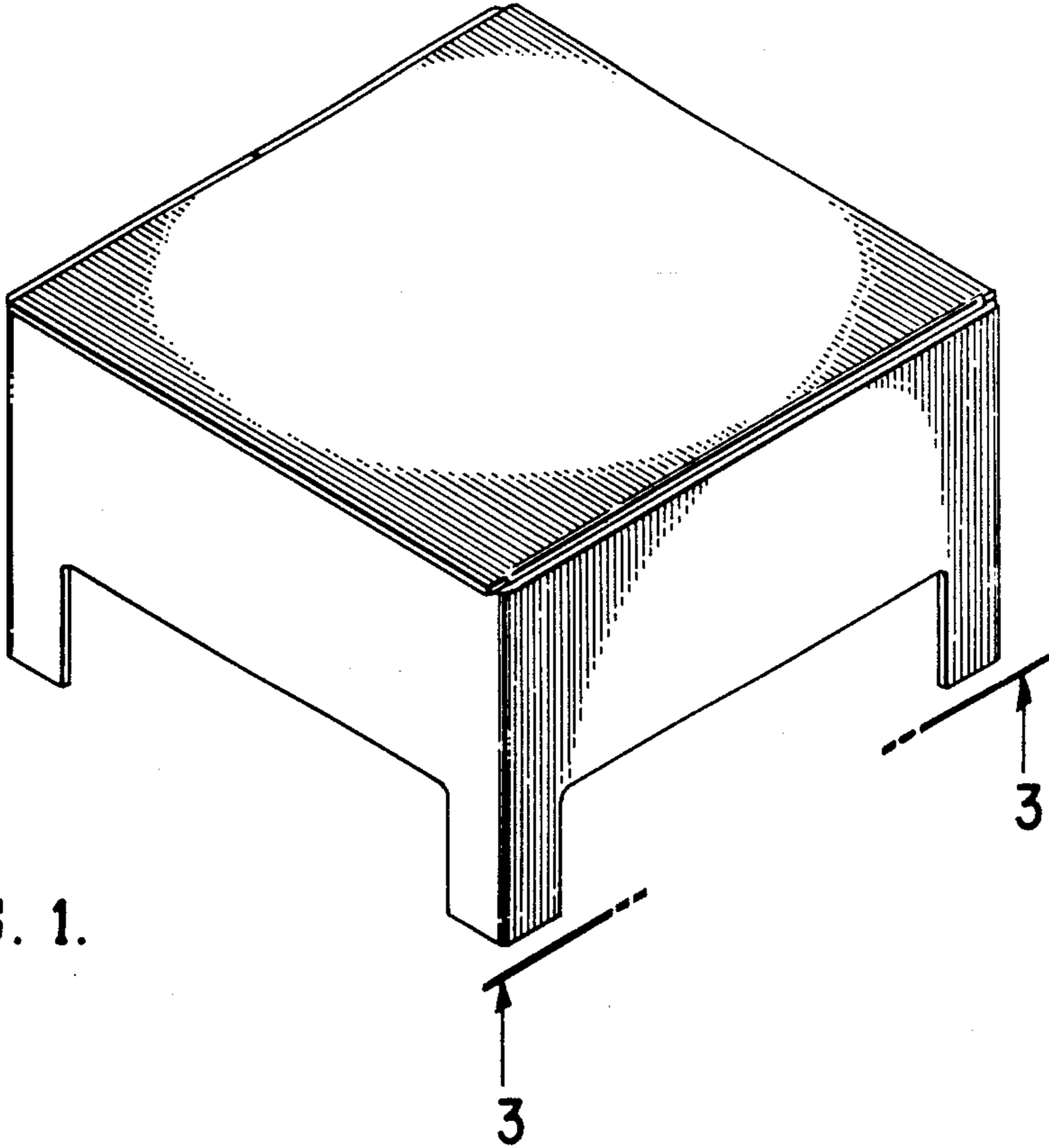


FIG. 3.

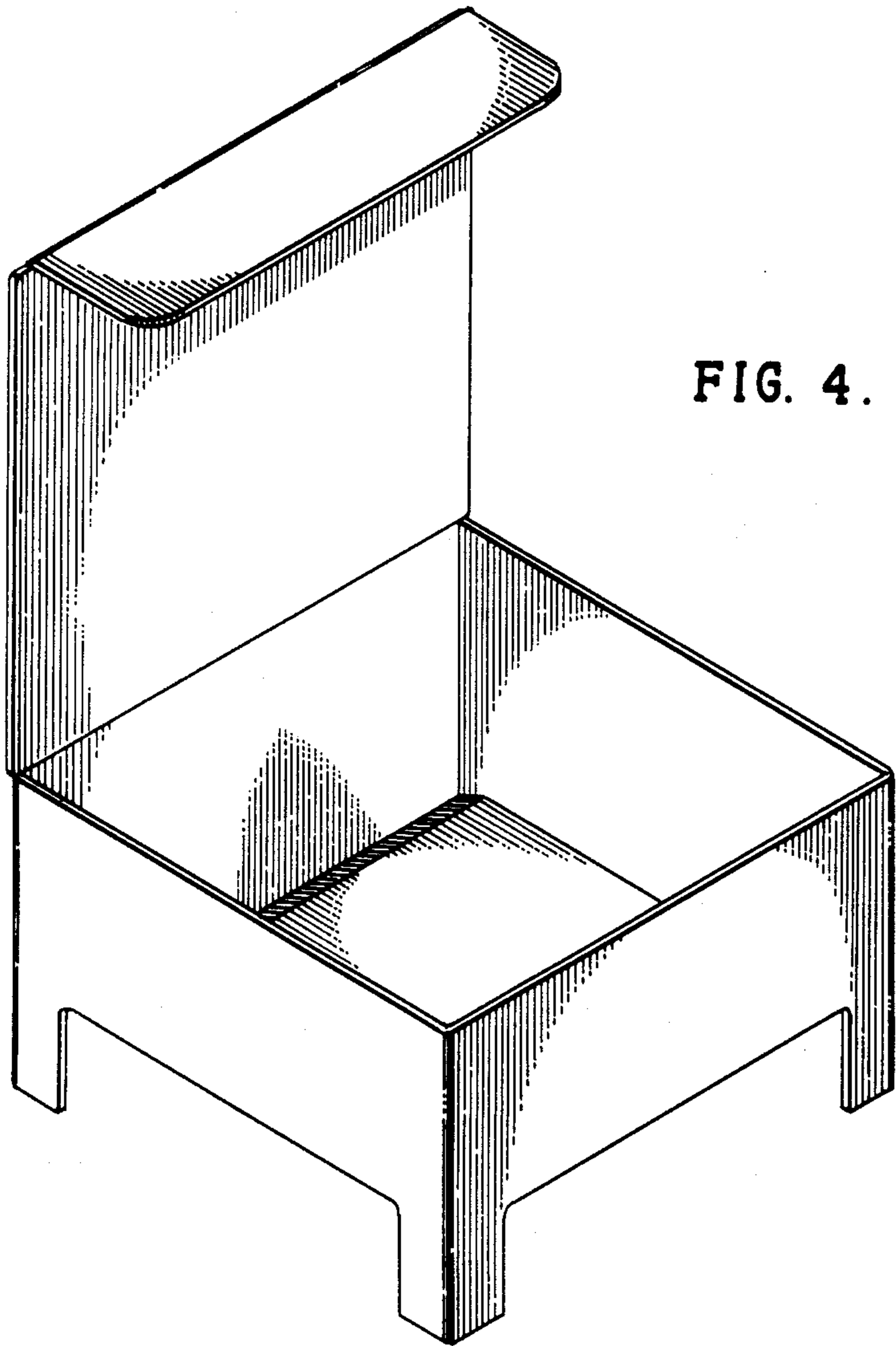
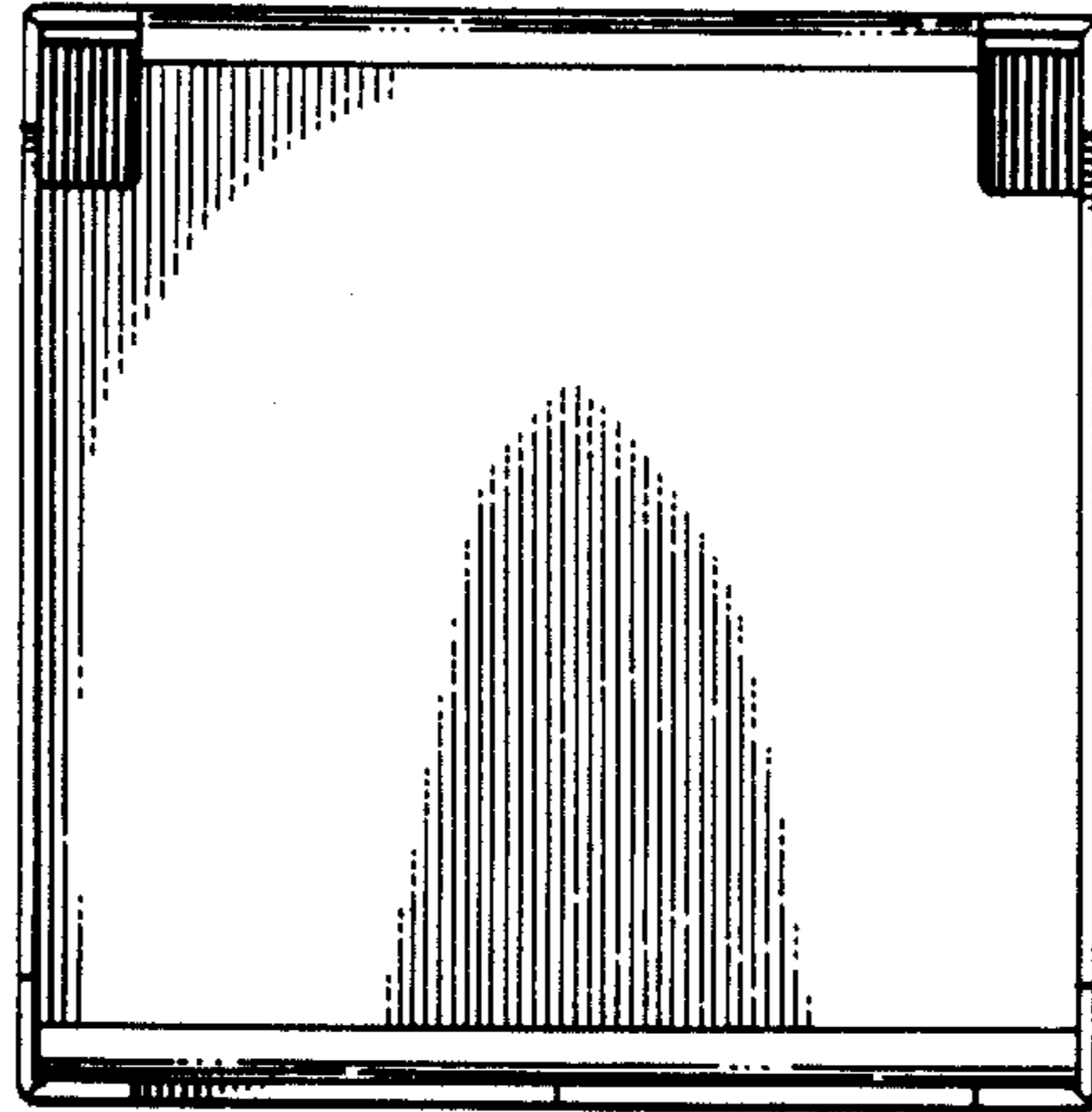


FIG. 4.