

- [54] **COMBINED CARRYING CASE AND INSULATED BOTTLE HOLDER**
- [76] Inventor: **Martin Zoland**, 6/112 Walsh St., South Yarra, Melbourne, Australia
- [**] Term: **14 Years**
- [21] Appl. No.: **855,450**
- [22] Filed: **Nov. 28, 1977**
- [51] Int. Cl. **D3-02**
- [52] U.S. Cl. **D7/77; D3/71; D3/78**
- [58] Field of Search **D3/30, 48, 39, 51, 71, D3/78, 43; D7/76, 77; 190/42, 412, 52; 150/2.1, 2.5**
- [56] **References Cited**
U.S. PATENT DOCUMENTS
D. 218,908 10/1970 Bright et al. D3/78

D. 244,723	6/1977	Rabinowitz	D3/71
2,540,165	2/1951	Fiel	190/42
3,648,830	3/1972	Graf	D7/77

Primary Examiner—Joel Stearman
Assistant Examiner—George P. Word
Attorney, Agent, or Firm—Charles H. Schwartz

[57] **CLAIM**

The ornamental design for a combined carrying case and insulated bottle holder, as shown and described.

DESCRIPTION

FIG. 1 is a perspective view of a combined carrying case and insulated bottle holder showing my new design;
FIG. 2 is a right side elevational view;
FIG. 3 is a rear elevational view;
FIG. 4 is a bottom plan view;
FIG. 5 is a left side elevational view;
FIG. 6 is a perspective view of FIG. 1 with the cover of the bottle holder in an open position.

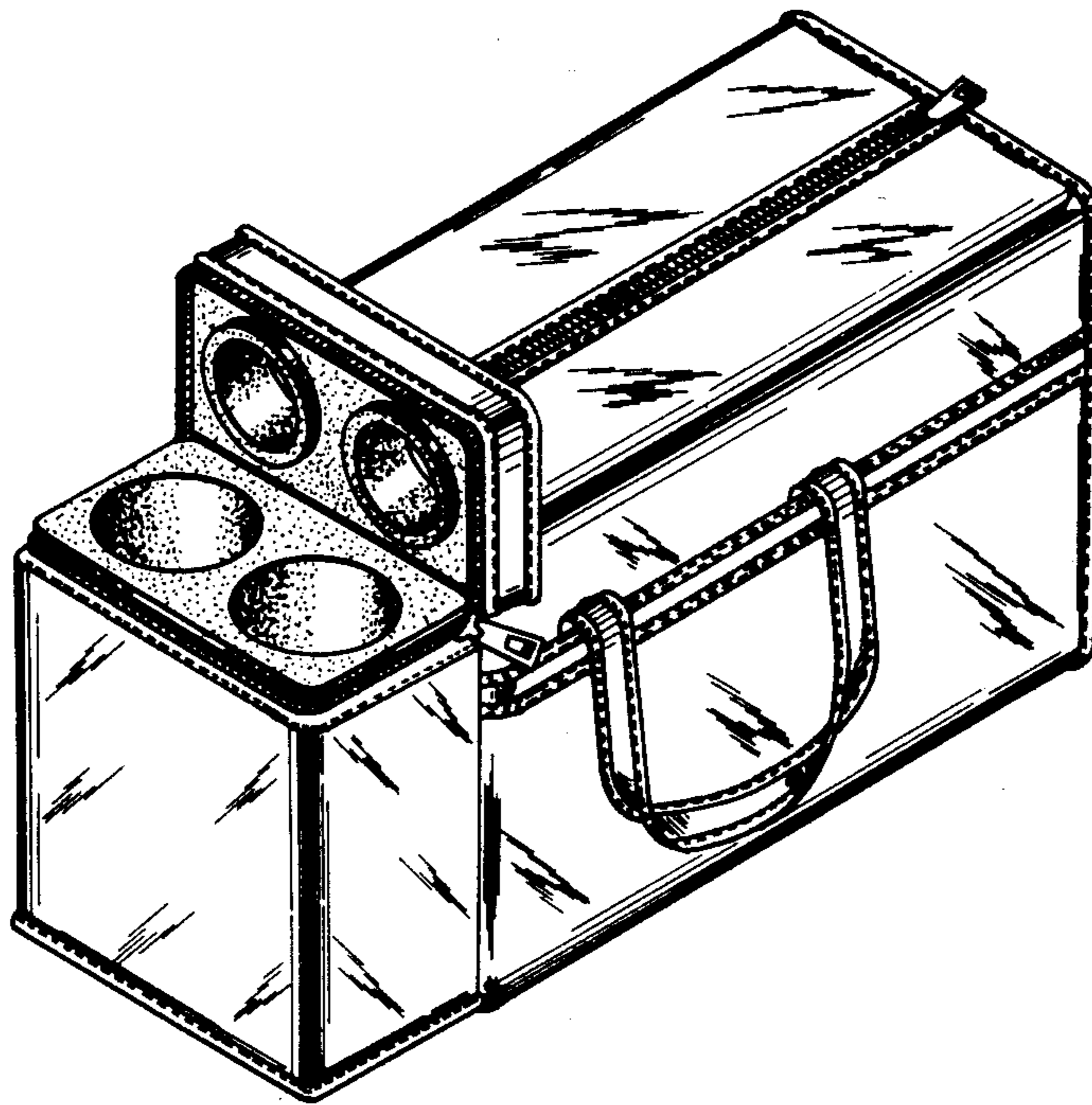


Fig. 1

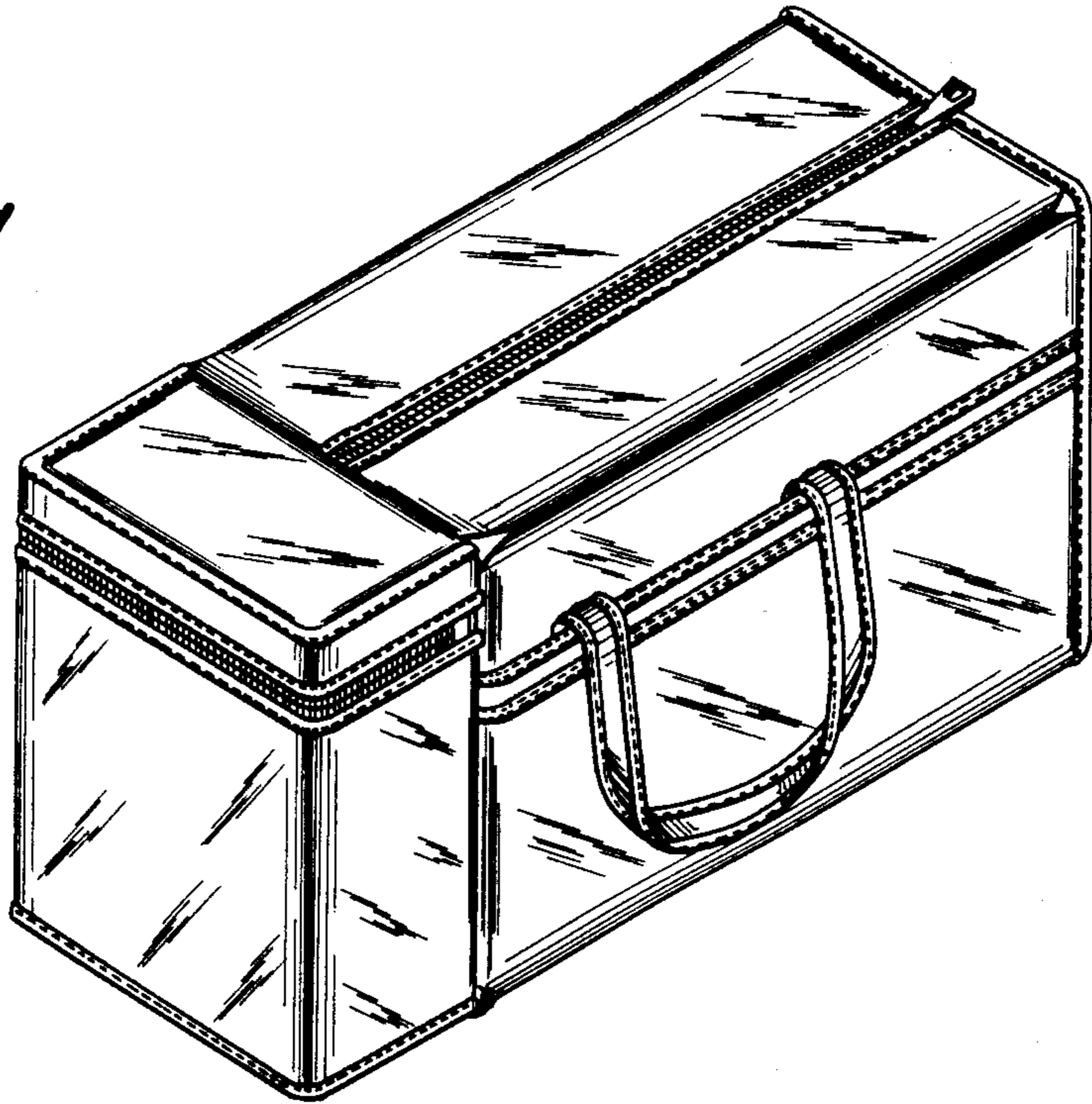


Fig. 2

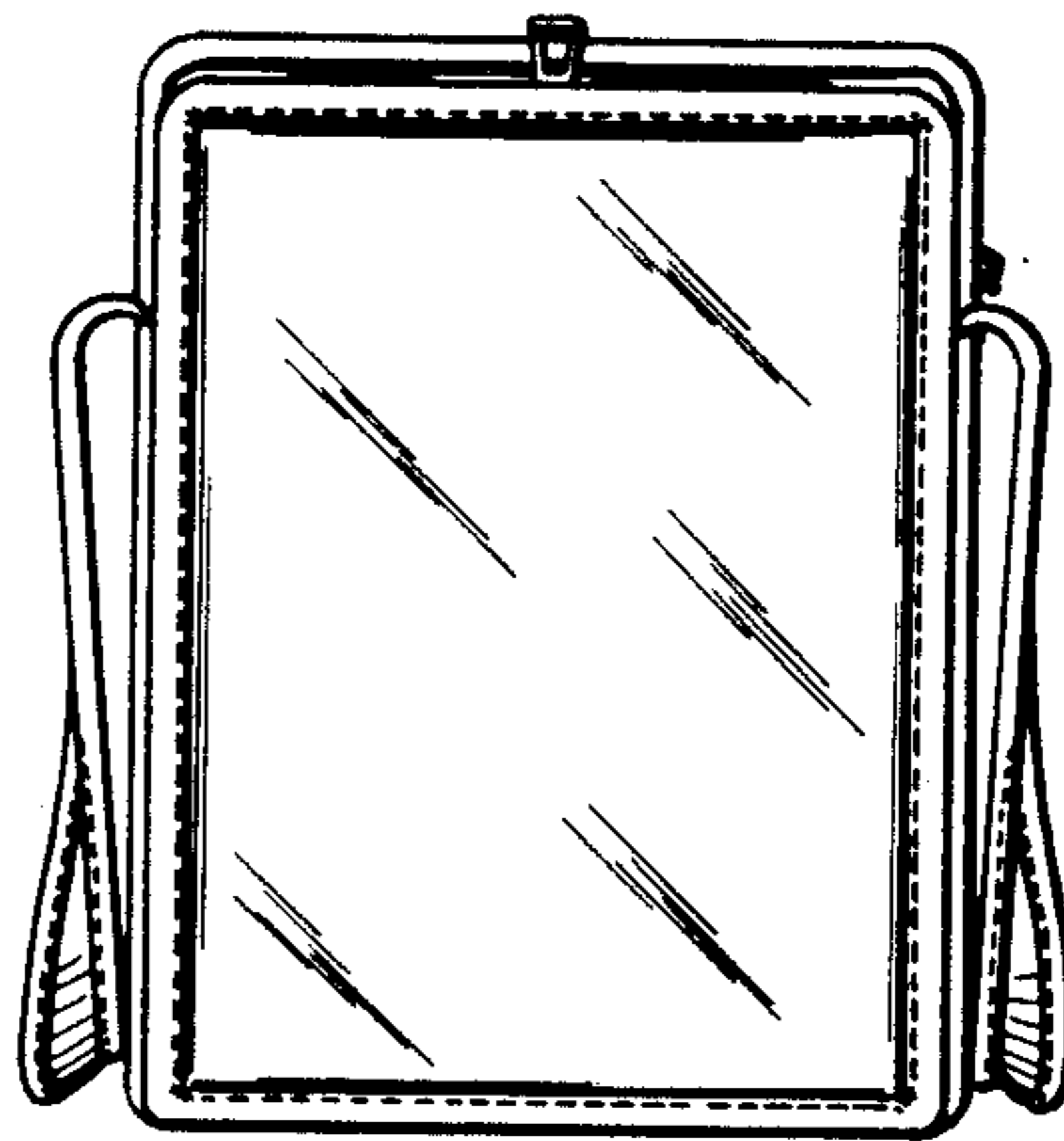


Fig. 3

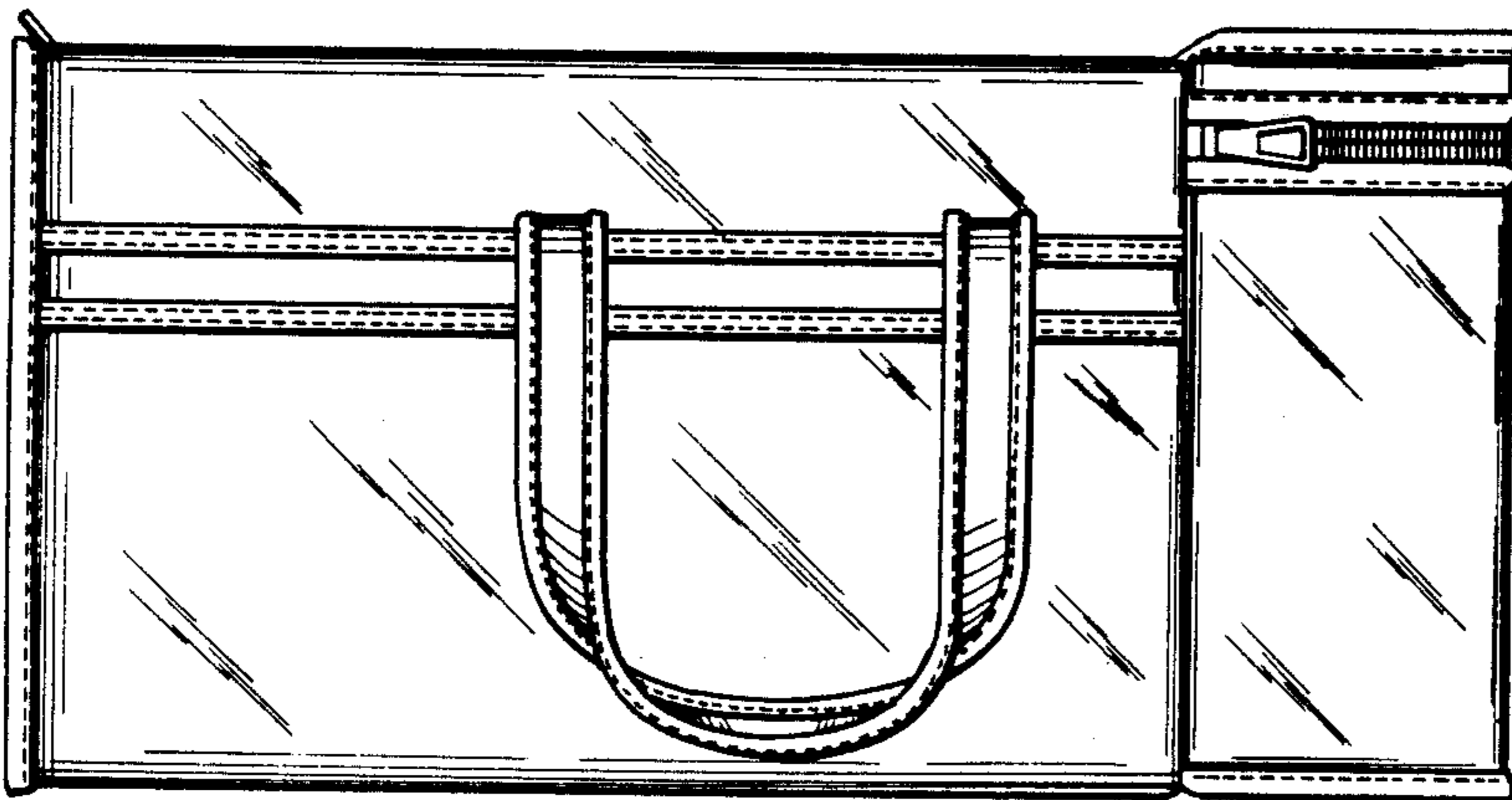


Fig. 4

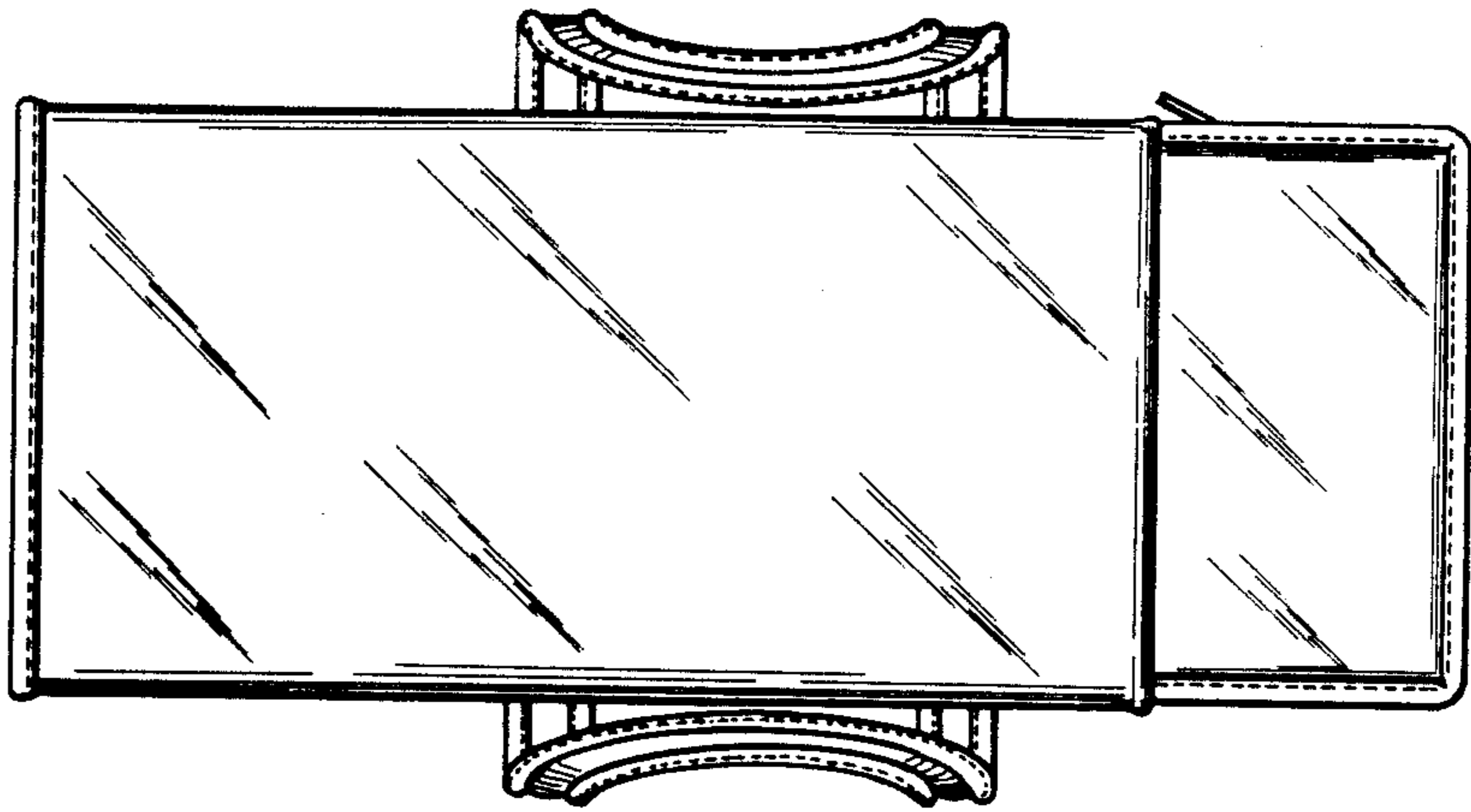


Fig. 5

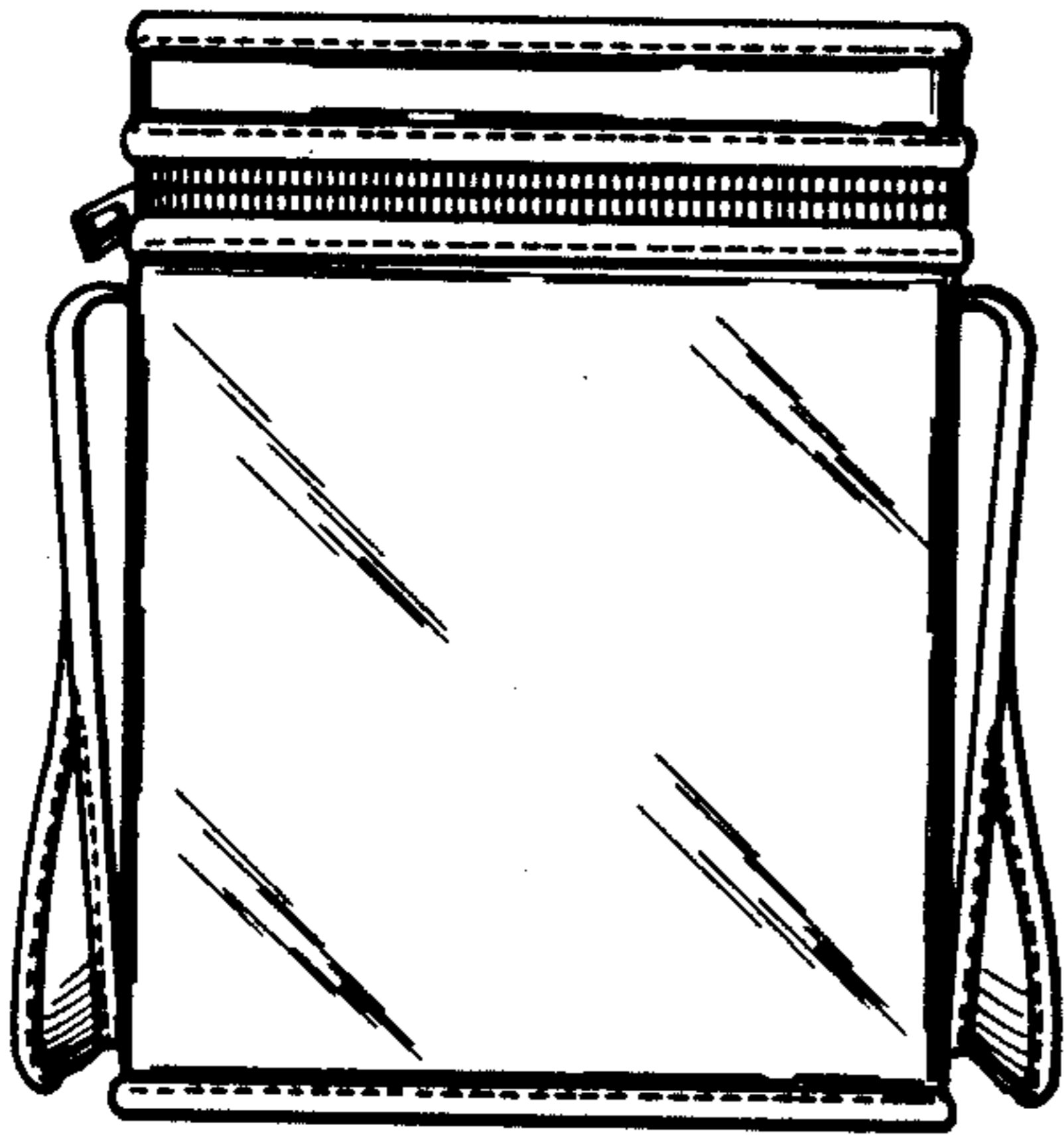


Fig. 6

