

[54] ASH TRAY

[75] Inventor: Jerome A. Grunstad, St. Paul, Minn.

[73] Assignee: Ketcham & McDougall, Inc.,  
Roseland, N.J.

[\*\*] Term: 14 Years

[21] Appl. No.: 893,111

[22] Filed: Apr. 3, 1978

[51] Int. Cl. .... D27-03

[52] U.S. Cl. .... D27/22; D27/27

[58] Field of Search ..... D27/8-29;  
D7/1.5, 23, 28, 29, 45; 220/1 H; 131/231, 235  
R, 235 S, 235 T, 236, 238, 240 R, 241, 242, 257

[56] References Cited

U.S. PATENT DOCUMENTS

D. 112,808	1/1939	Dolgorukov	.....	D27/28
D. 196,350	9/1963	Vasile	.....	D27/27
3,610,255	10/1971	Cheng	.....	131/242

Primary Examiner—Wallace R. Burke  
Assistant Examiner—Catherine Kemper  
Attorney, Agent, or Firm—Edwin E. Greigg

[57] CLAIM

The ornamental design for an ash tray, substantially as shown and described.

DESCRIPTION

FIG. 1 is a perspective view of an ash tray, showing my new design;

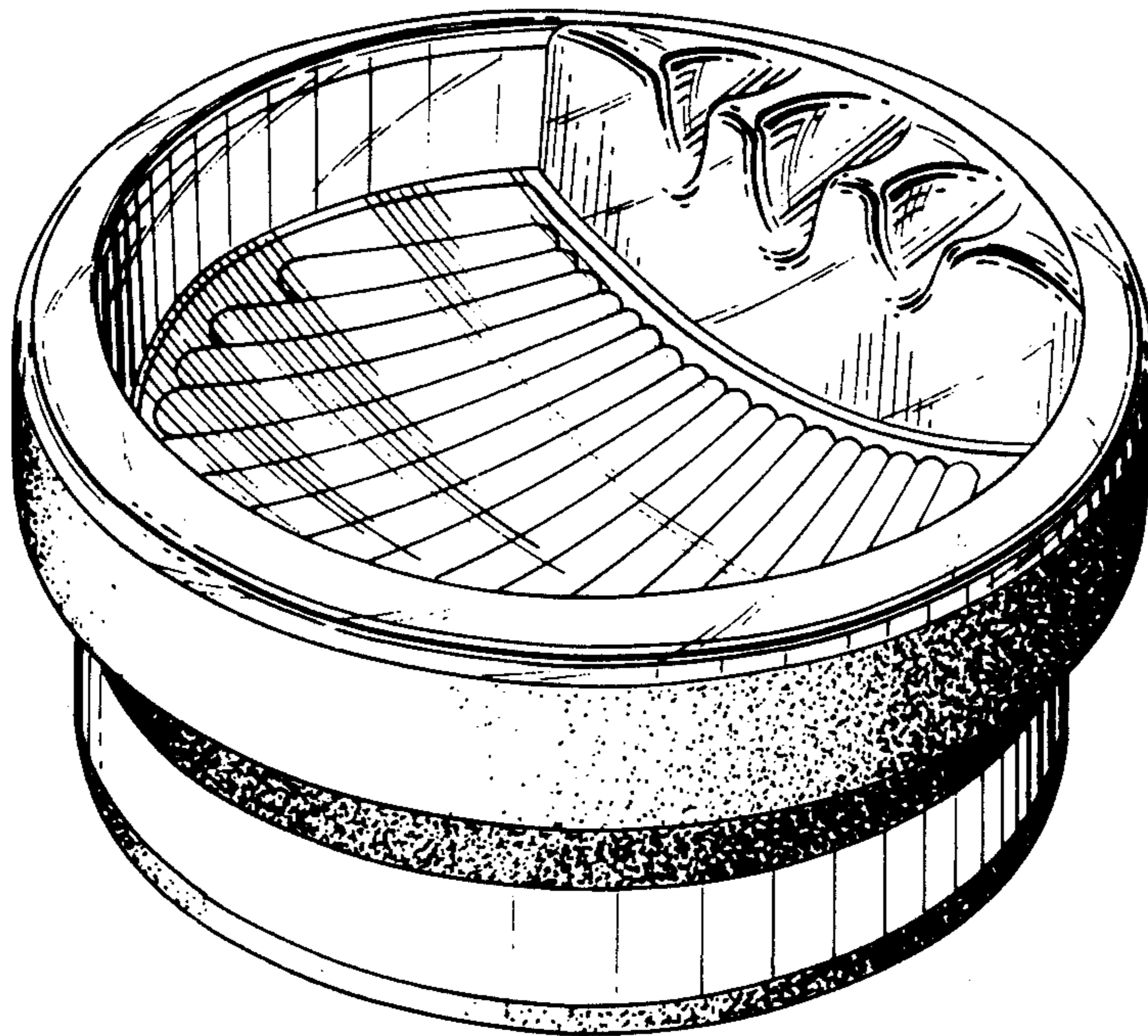
FIG. 2 is a top plan view thereof;

FIG. 3 is a side elevational view thereof;

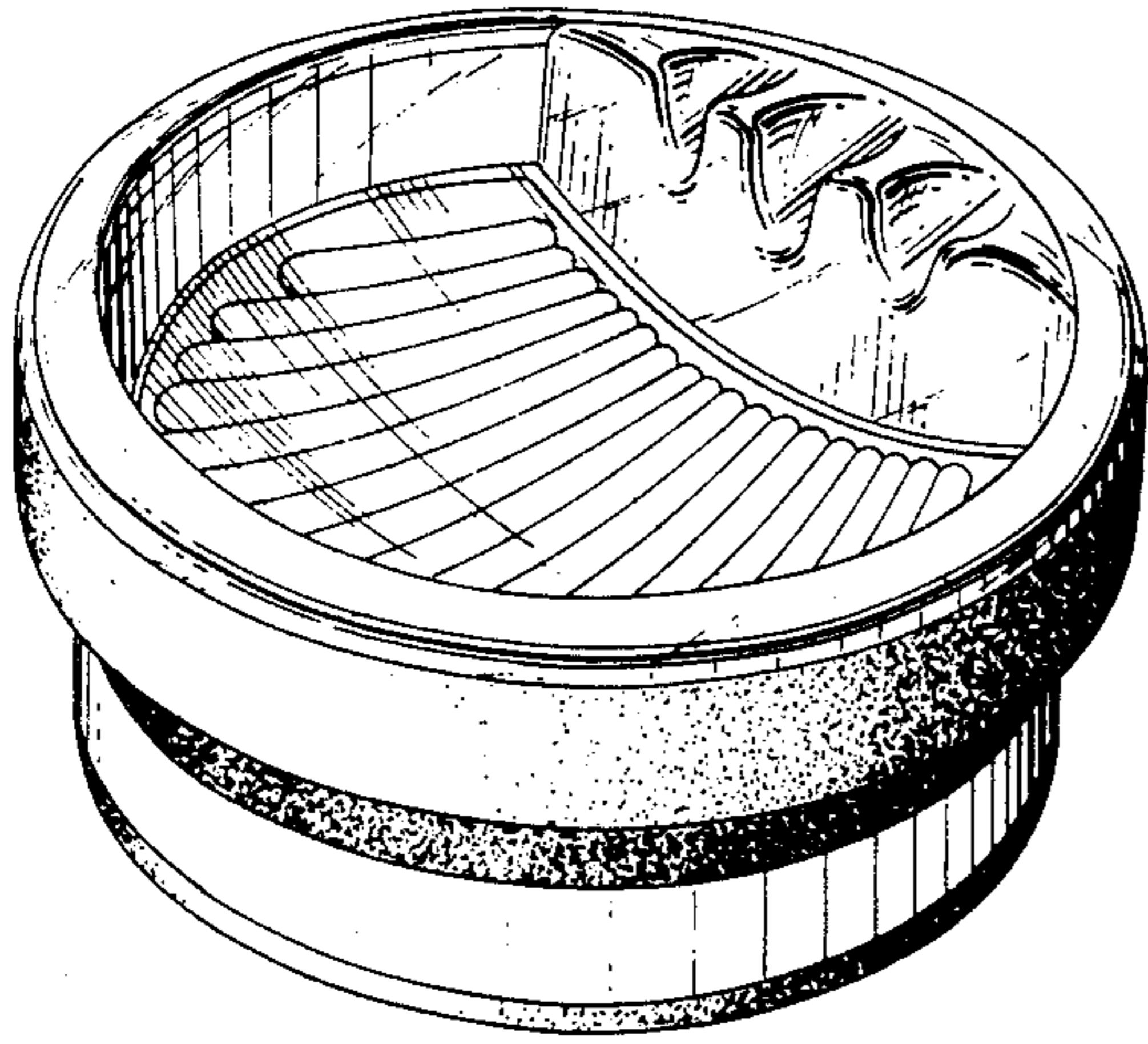
FIG. 4 is a perspective view of the base portion, with the liner portion removed for completeness of disclosure;

FIG. 5 is a perspective view of the liner portion, with the base portion removed for completeness of disclosure.

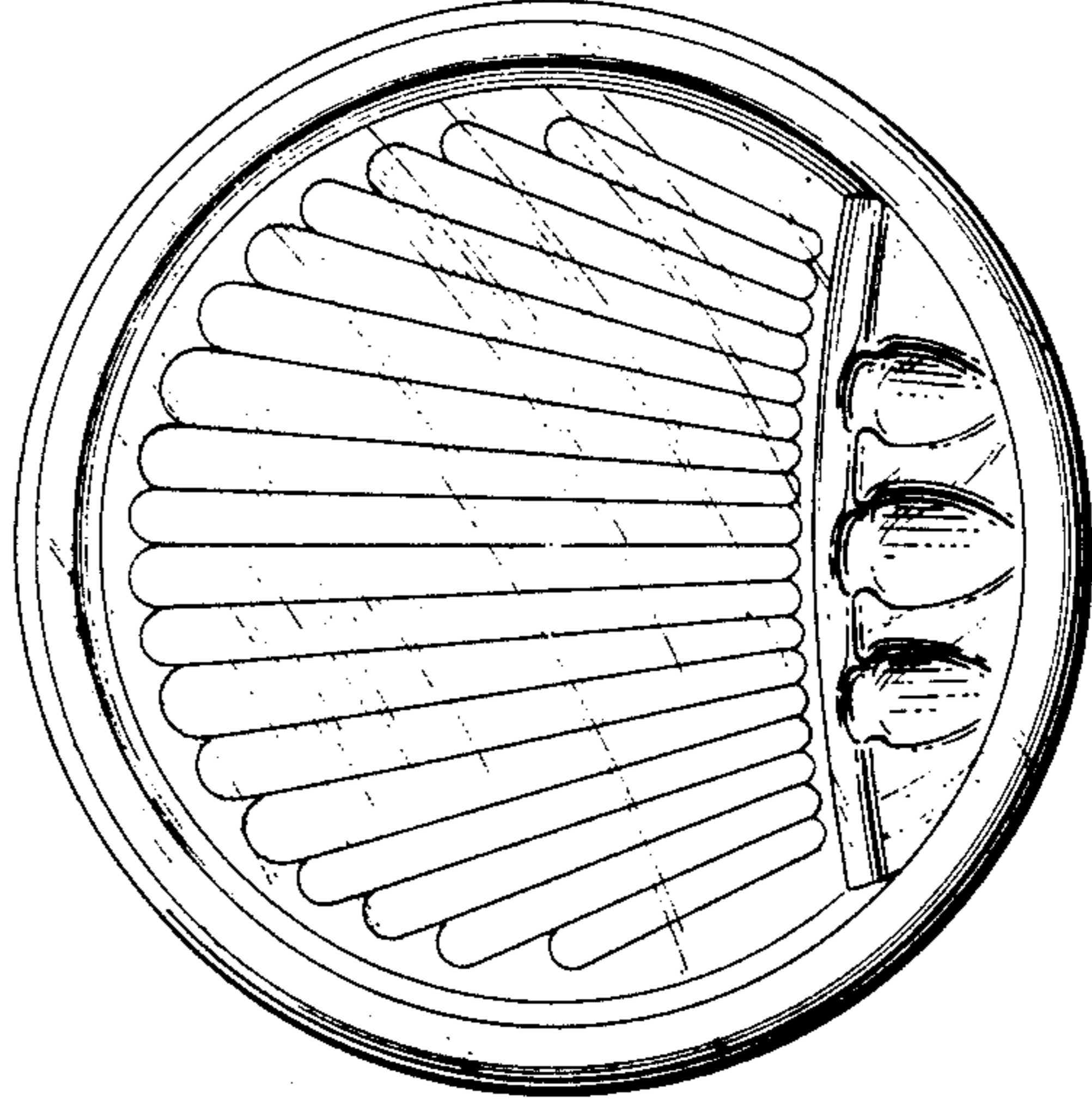
The bottom surface of the ash tray is substantially planar and unornamented.



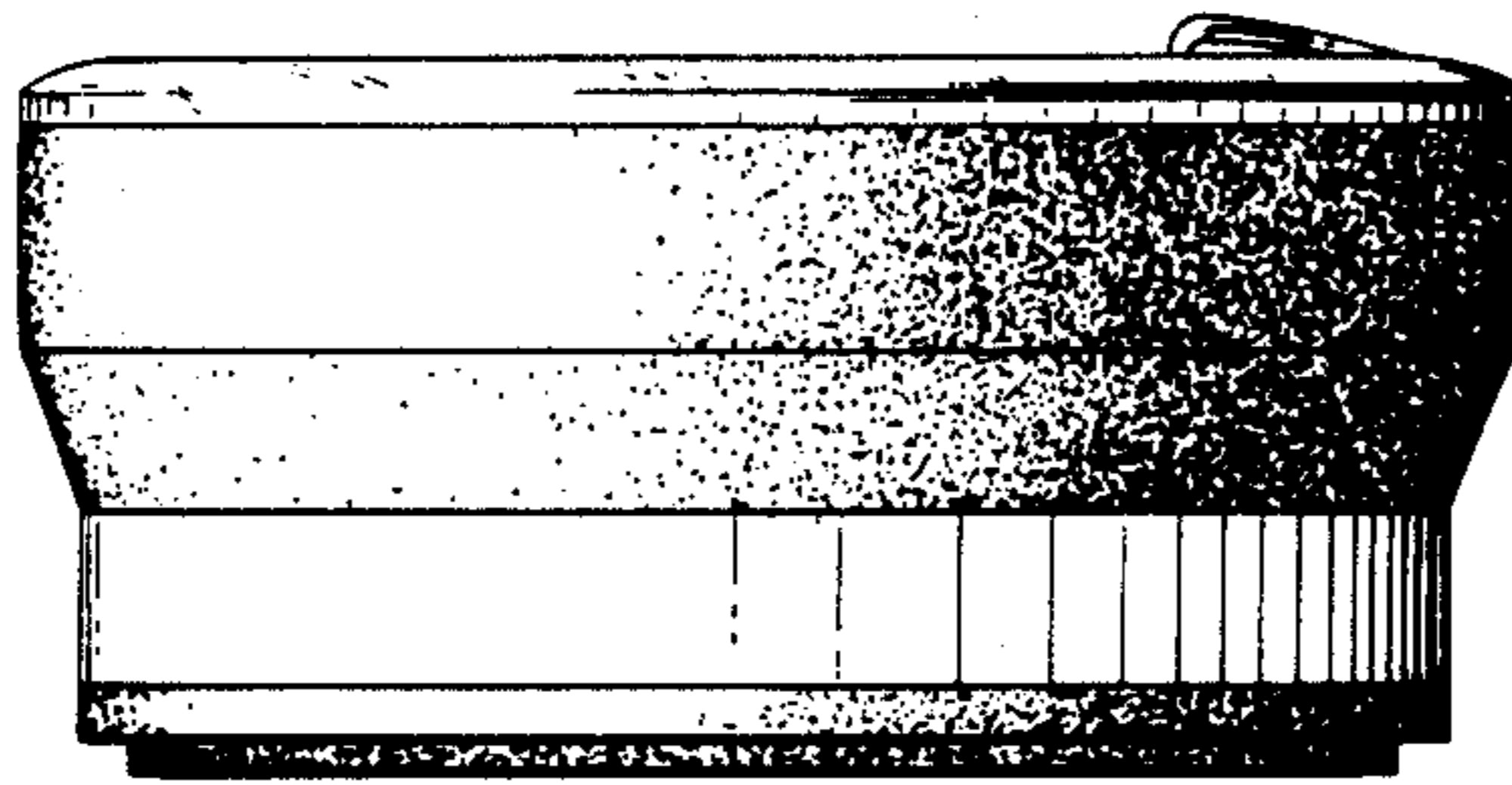
**FIG. 1**



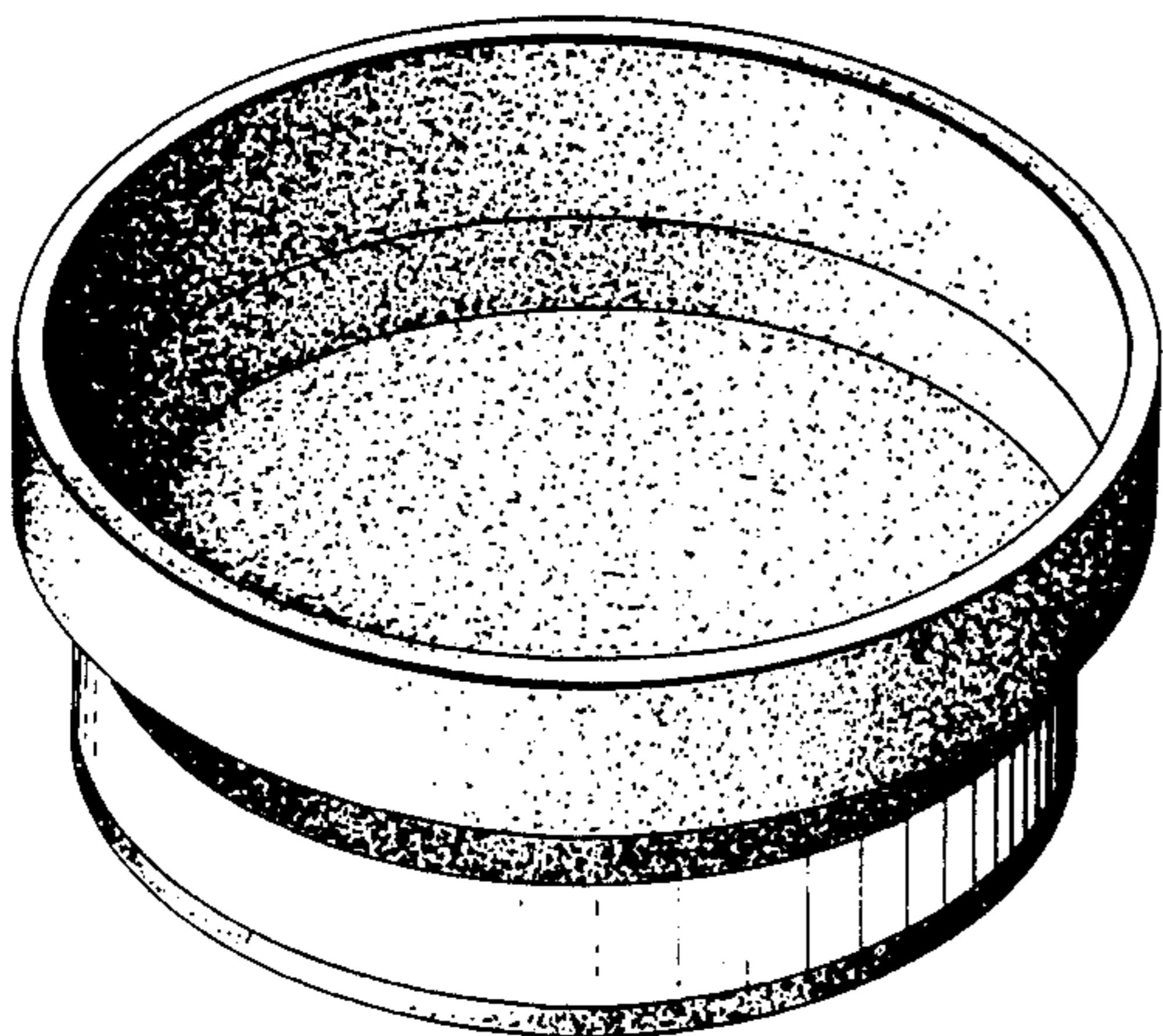
**FIG. 2**



**FIG. 3**



**FIG. 4**



**FIG. 5**

