

[54] X-RAY FILM VIEWER

[76] Inventor: Howard W. Hoadley, 9143 Petit Ave., Sepulveda, Calif. 91343

[**] Term: 14 Years

[21] Appl. No.: 819,990

[22] Filed: Jul. 28, 1977

[51] Int. Cl. D24-01

[52] U.S. Cl. D24/2; D16/14

[58] Field of Search 353/47, 28, 78, 27; D16/14; D24/2

[56] References Cited

U.S. PATENT DOCUMENTS

- D. 99,343 4/1936 Cheney D16/14
- D. 187,759 4/1960 Simmonds et al. D24/2
- D. 223,299 4/1972 Dimitracopoulos D16/24 X

- D. 234,227 1/1975 Muffoletto D24/2
- D. 240,161 6/1976 Hall D16/14
- D. 247,498 3/1978 Persha D16/14
- 3,692,399 9/1972 Stewart D16/14 X
- 3,739,069 6/1973 Sandmeier D16/14 X

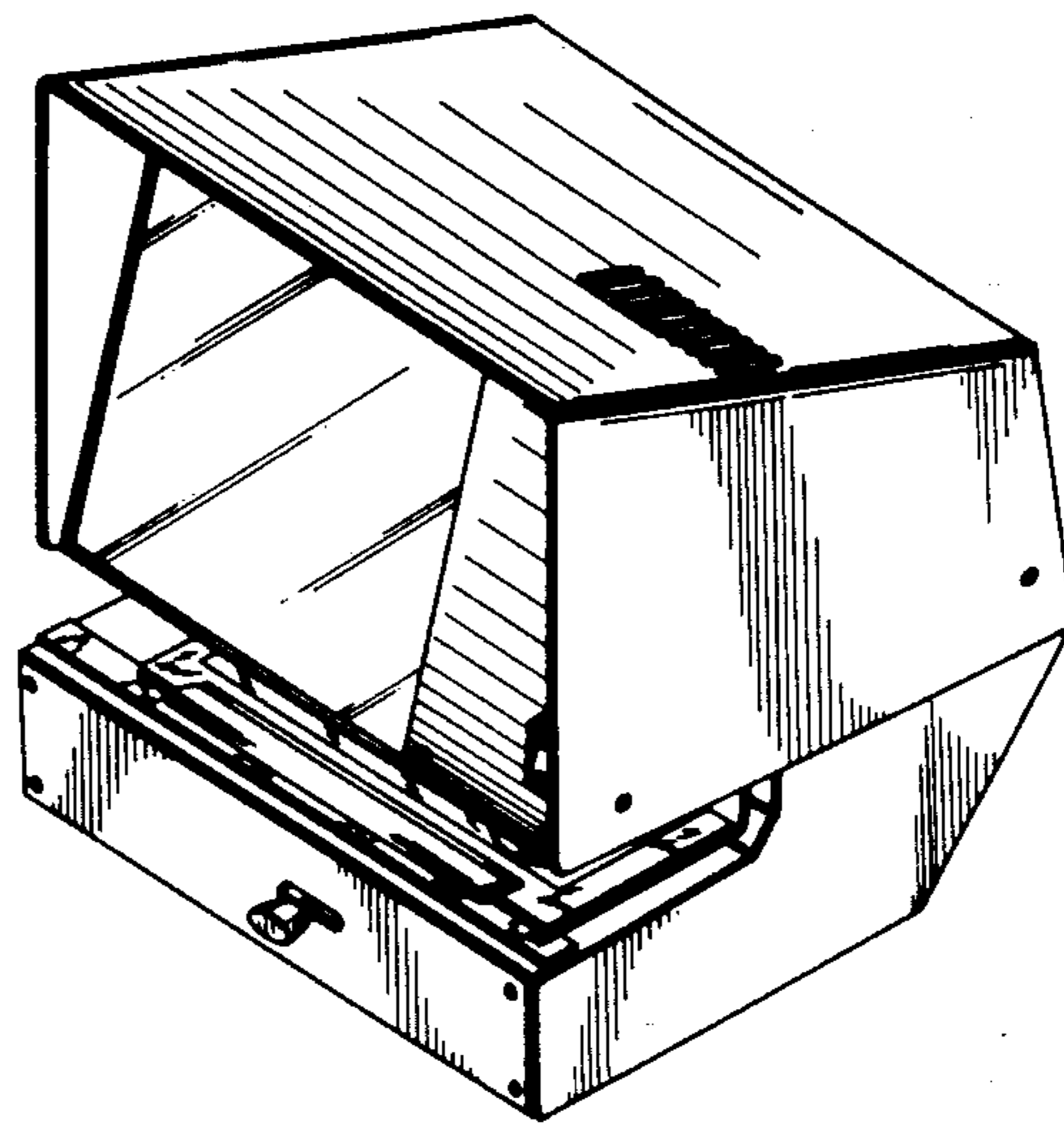
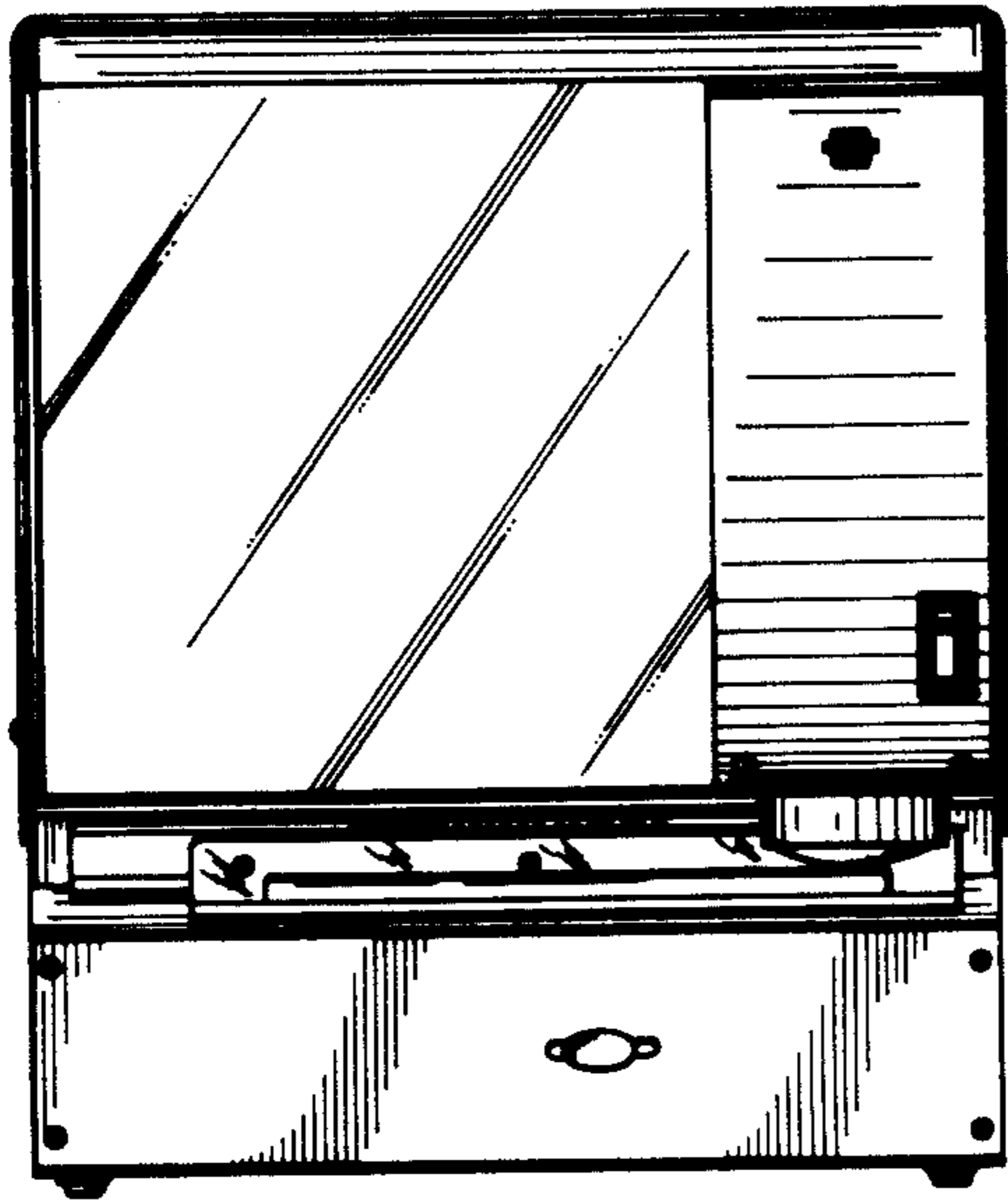
Primary Examiner—Bernard Ansher
Attorney, Agent, or Firm—John T. Matlago

[57] CLAIM

The ornamental design for a x-ray film viewer, substantially as shown.

DESCRIPTION

FIG. 1 is a front and side perspective view of an x-ray film viewer embodying my new design;
 FIG. 2 is a view of the side of the viewer opposite that shown in FIG. 1;
 FIG. 3 is a front view of the viewer;
 FIG. 4 is a top plan view of the viewer; and
 FIG. 5 is rear view of the viewer.



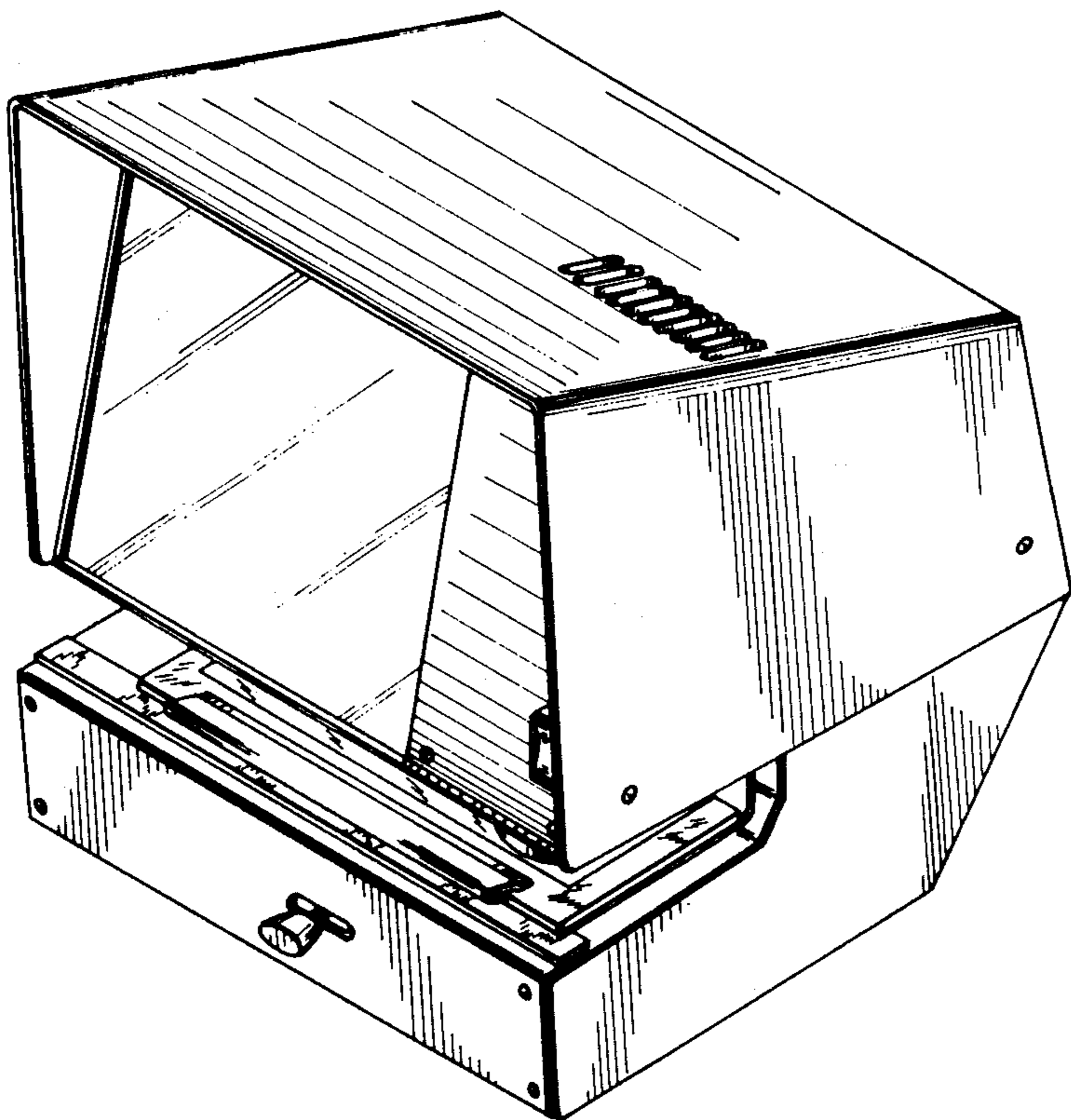


Fig. 1

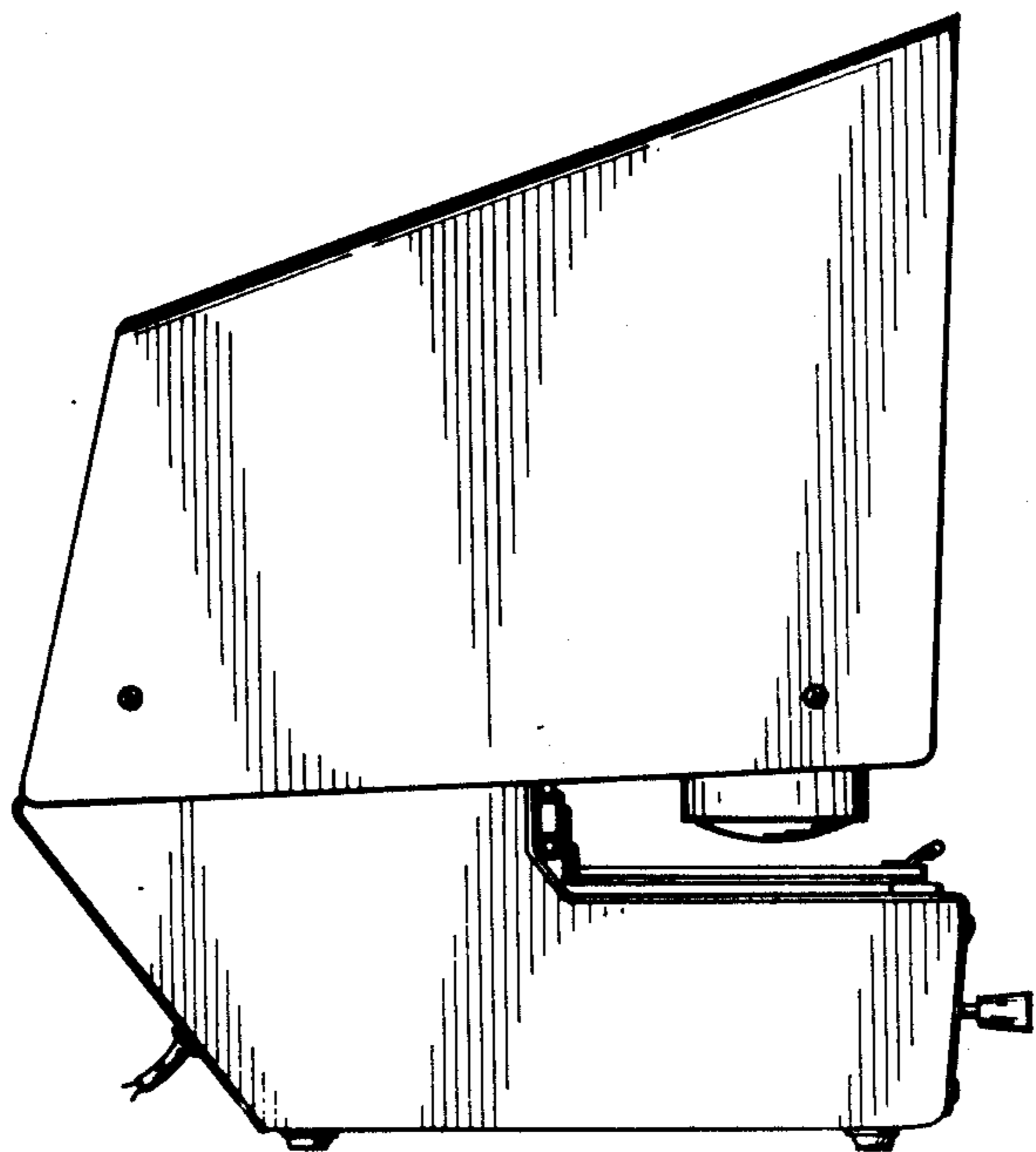


Fig. 2

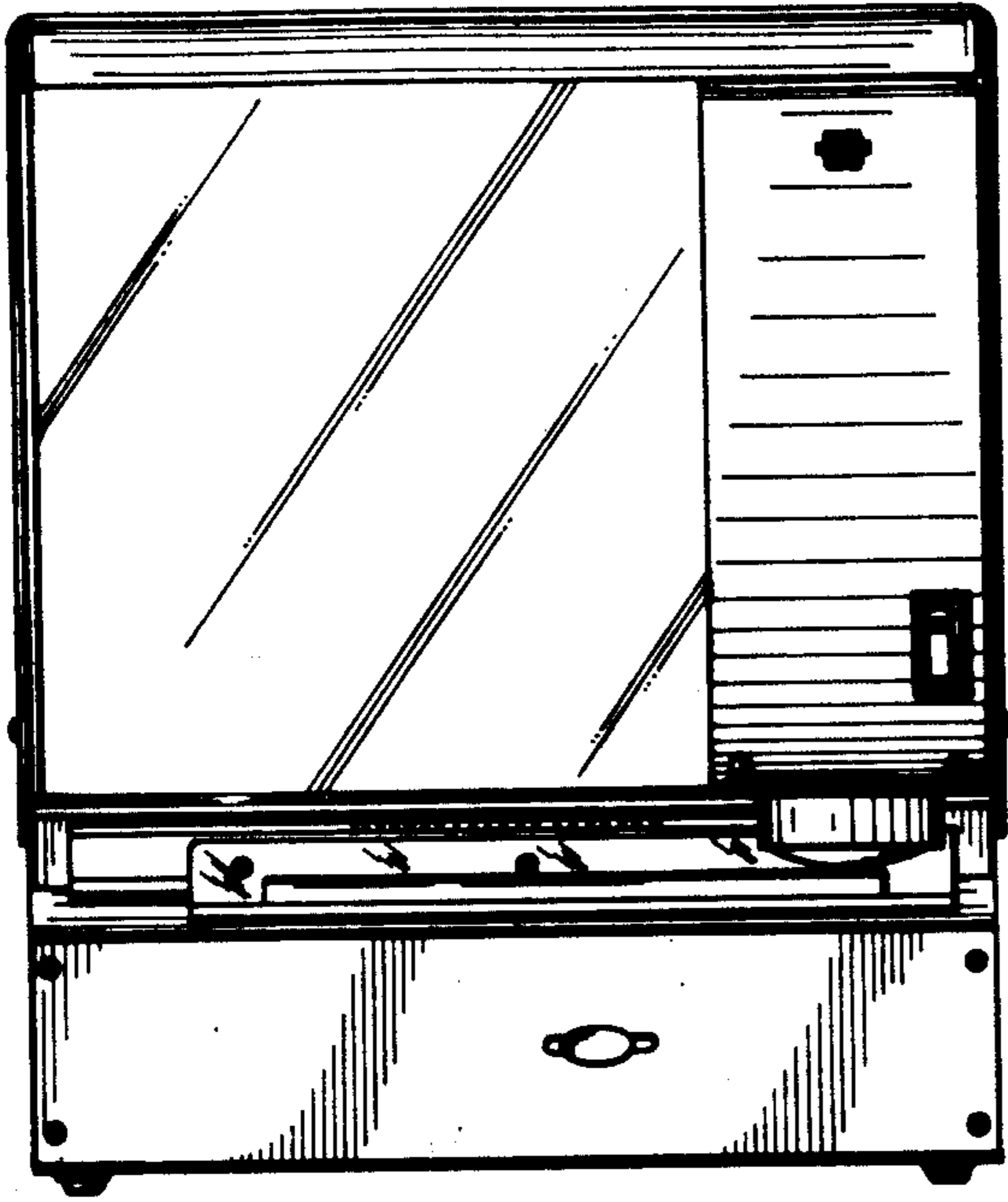


FIG. 3

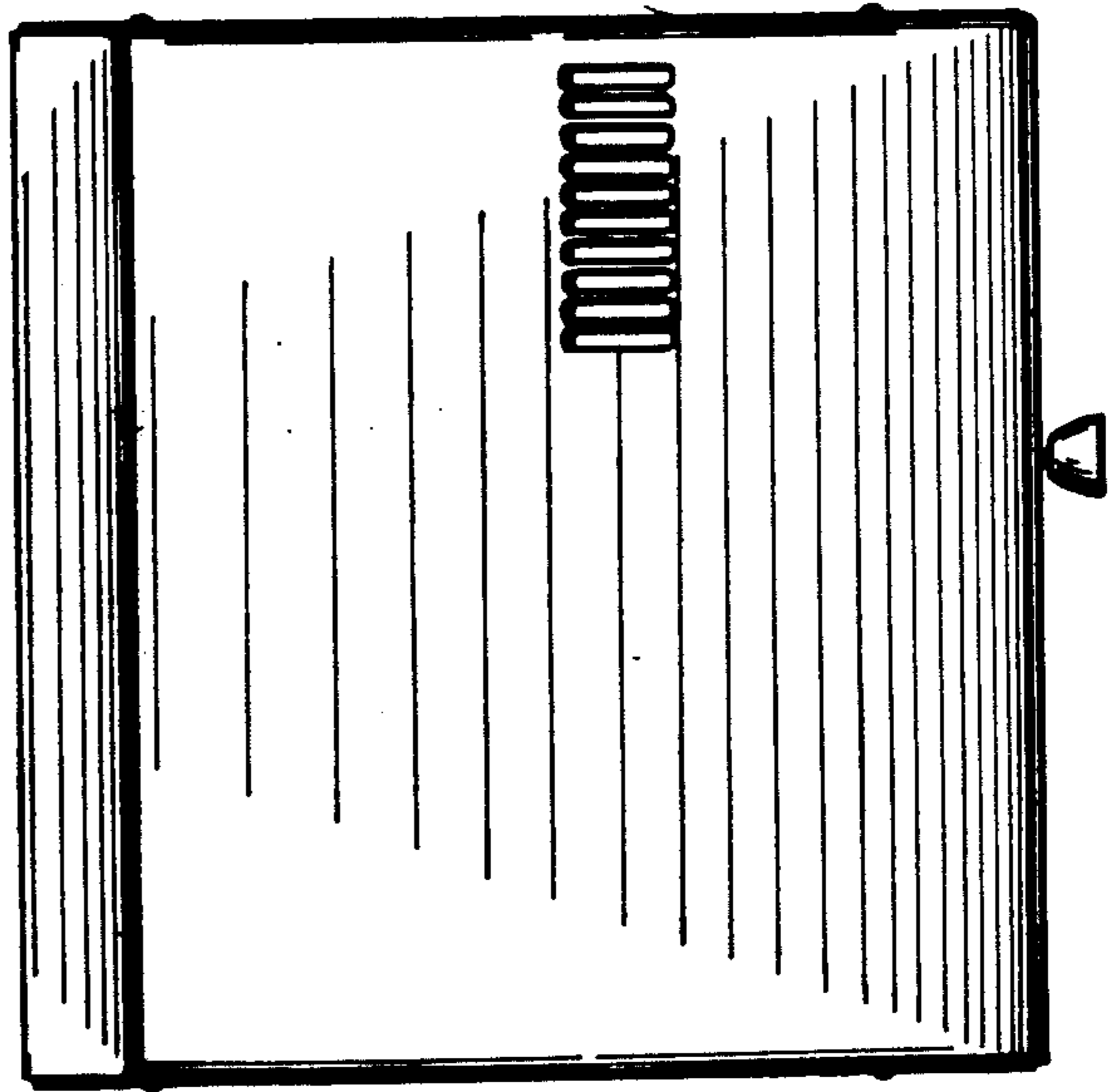


FIG. 4

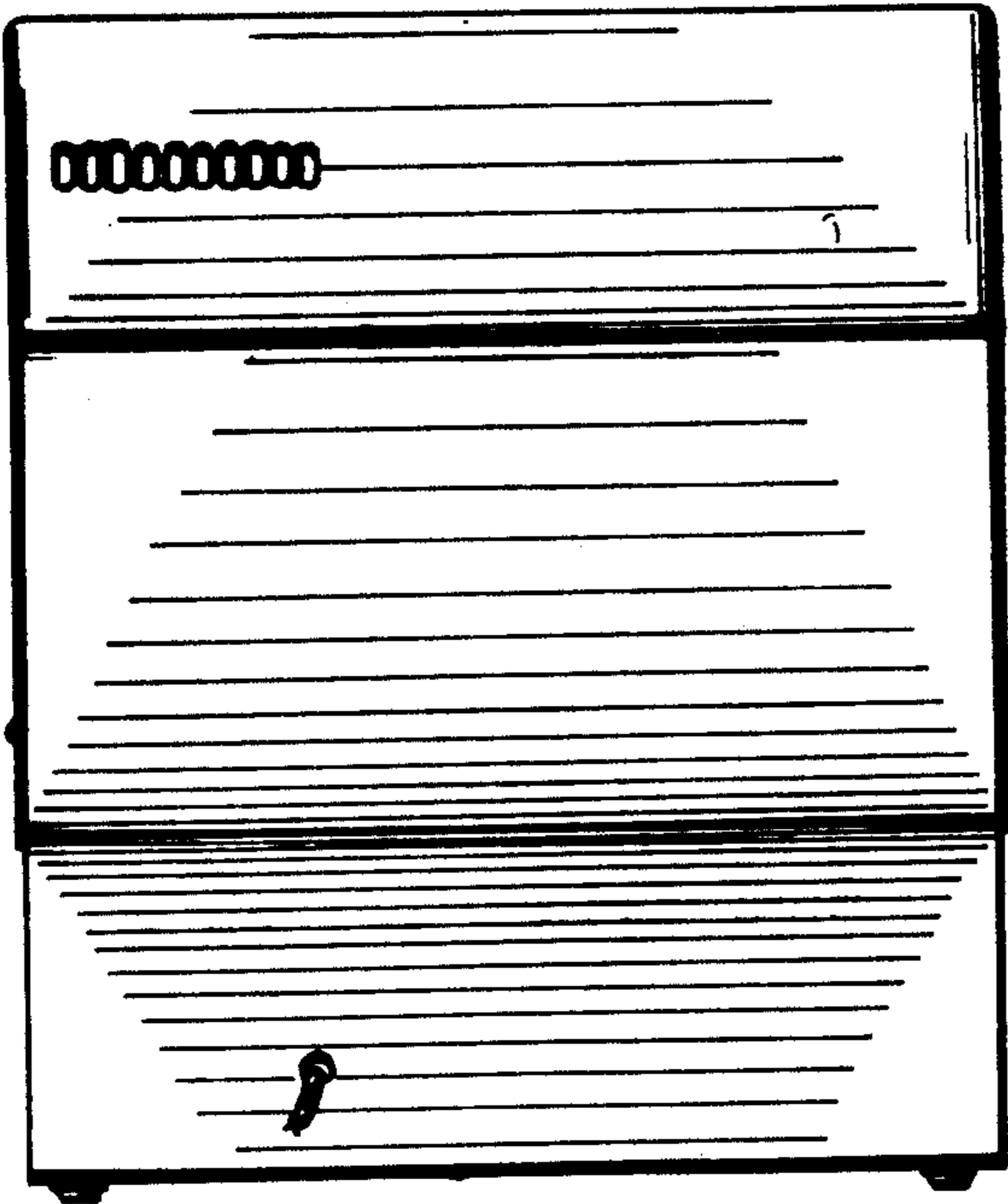


FIG. 5