

[54] AIR FRESHNER DISPENSER

[76] Inventor: James W. Marsh, Apartado 13231, Madrid, Spain

[\*\*] Term: 14 Years

[21] Appl. No.: 808,240

[22] Filed: Jun. 20, 1977

[51] Int. Cl. .... D23-04

[52] U.S. Cl. .... D23/150

[58] Field of Search ..... D23/150; D9/23, 26; D48/7 R, 20 R, 2 AR; 239/44-60

[56] References Cited

U.S. PATENT DOCUMENTS

D. 126,991	5/1941	Rubin .....	D9/26
D. 198,681	7/1964	Friedman et al. ....	D23/150
D. 198,786	8/1964	Friedman et al. ....	D23/150
D. 229,754	1/1974	Ali .....	D23/150
D. 230,482	2/1974	Levey .....	D23/150
3,355,913	12/1967	Frangos .....	239/44 X

OTHER PUBLICATIONS

The Chemist and Druggist, Sep. 25, 1954, p. 23, Item No. 16.

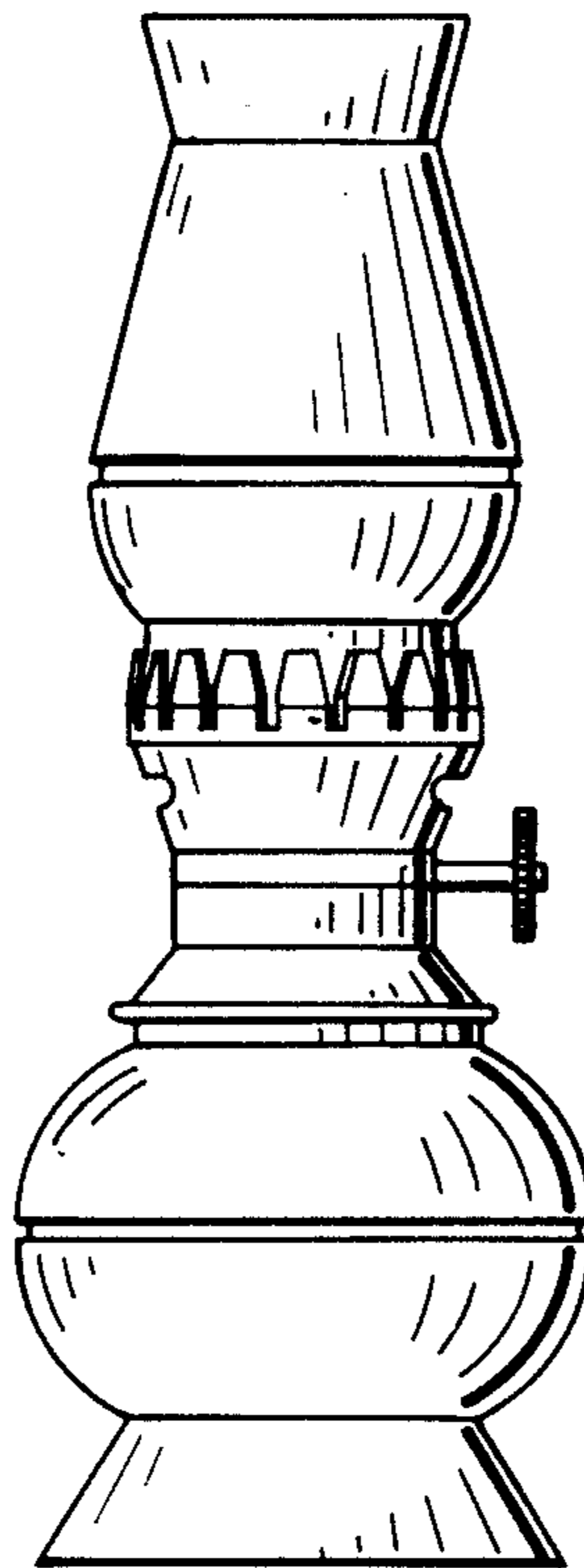
Primary Examiner—James R. Largen  
Attorney, Agent, or Firm—Jerry J. Dunlap

[57] CLAIM

The ornamental design for an air freshner dispenser, as shown.

DESCRIPTION

FIG. 1 is a front elevational view of an air freshner dispenser showing my new design;  
FIG. 2 is a rear elevational view thereof;  
FIG. 3 is a top plan view thereof;  
FIG. 4 is a bottom plan view thereof;  
FIG. 5 is an elevational view taken from one side thereof; and  
FIG. 6 is an elevational view taken from the side opposite that shown in FIG. 5.



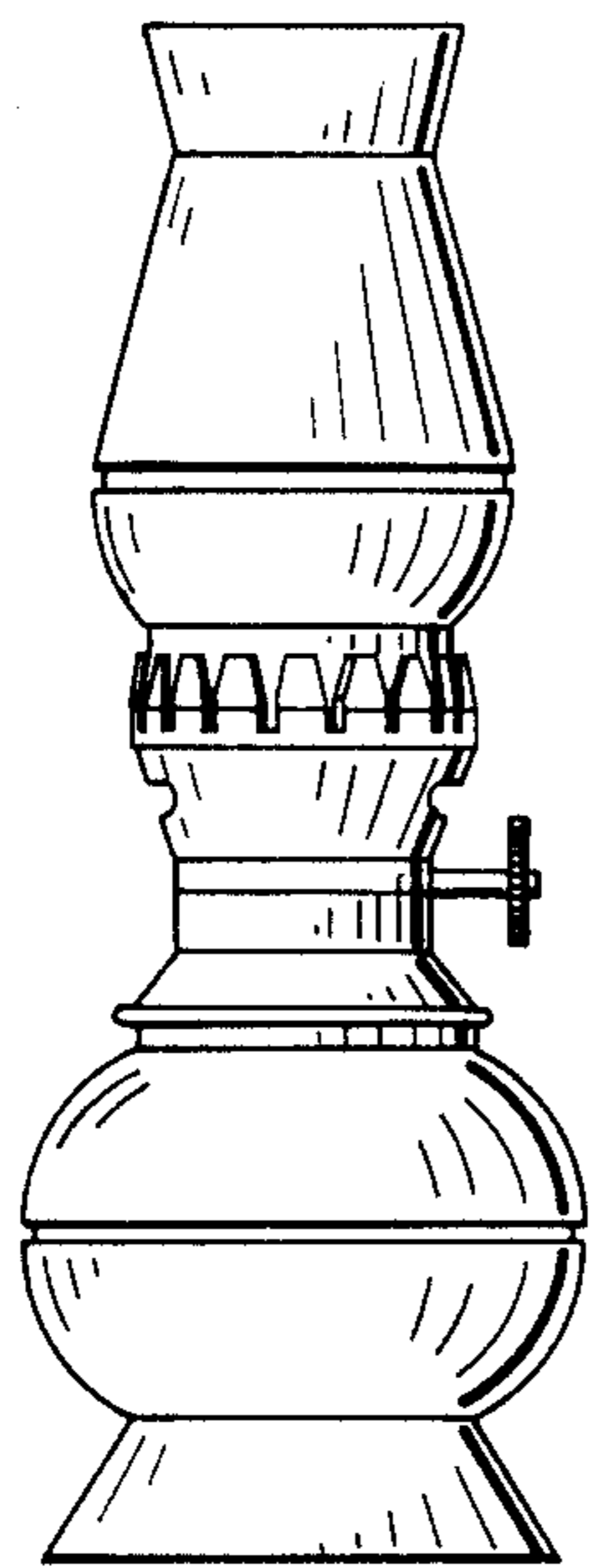


FIG. 1

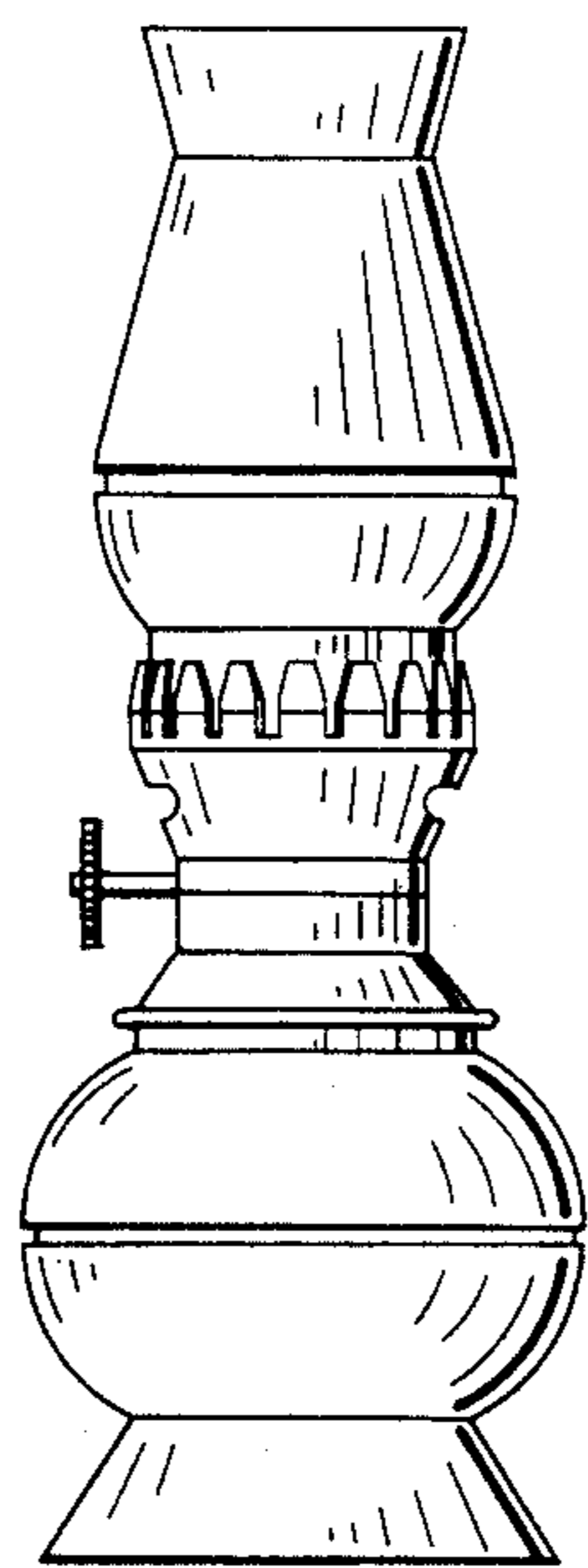


FIG. 2

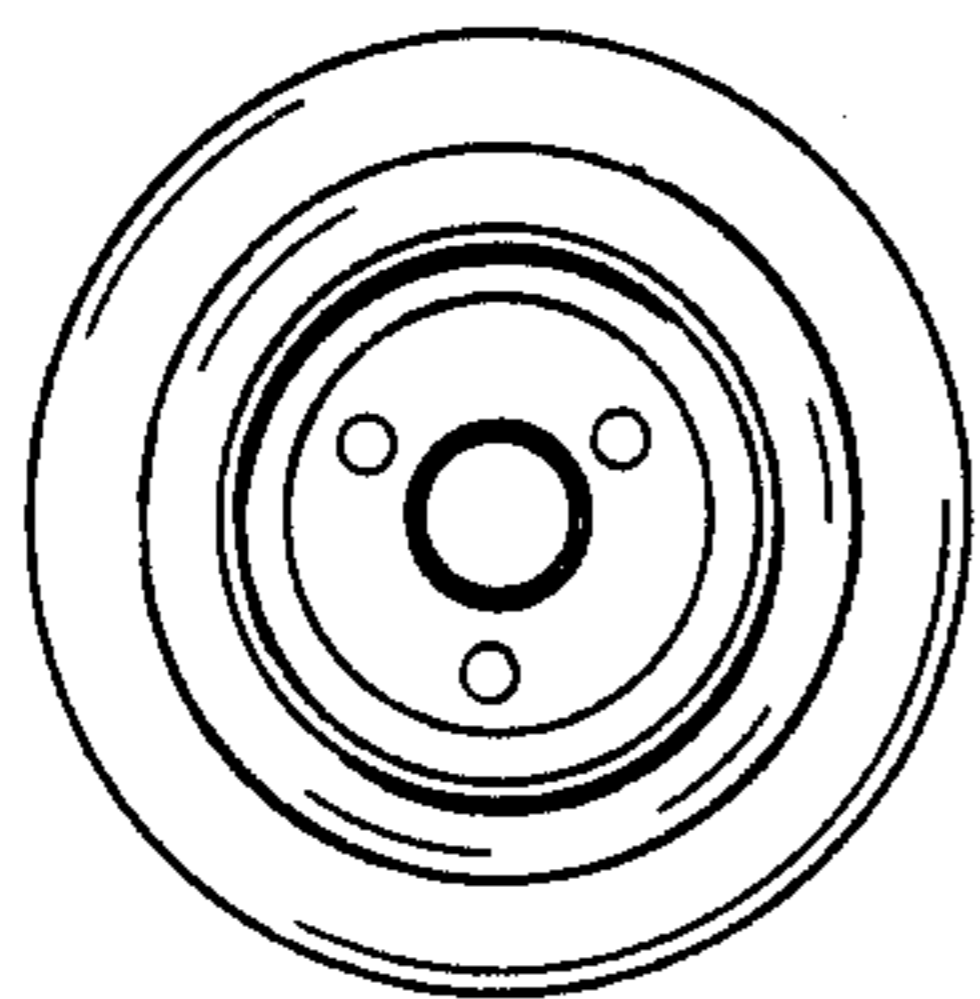


FIG. 3

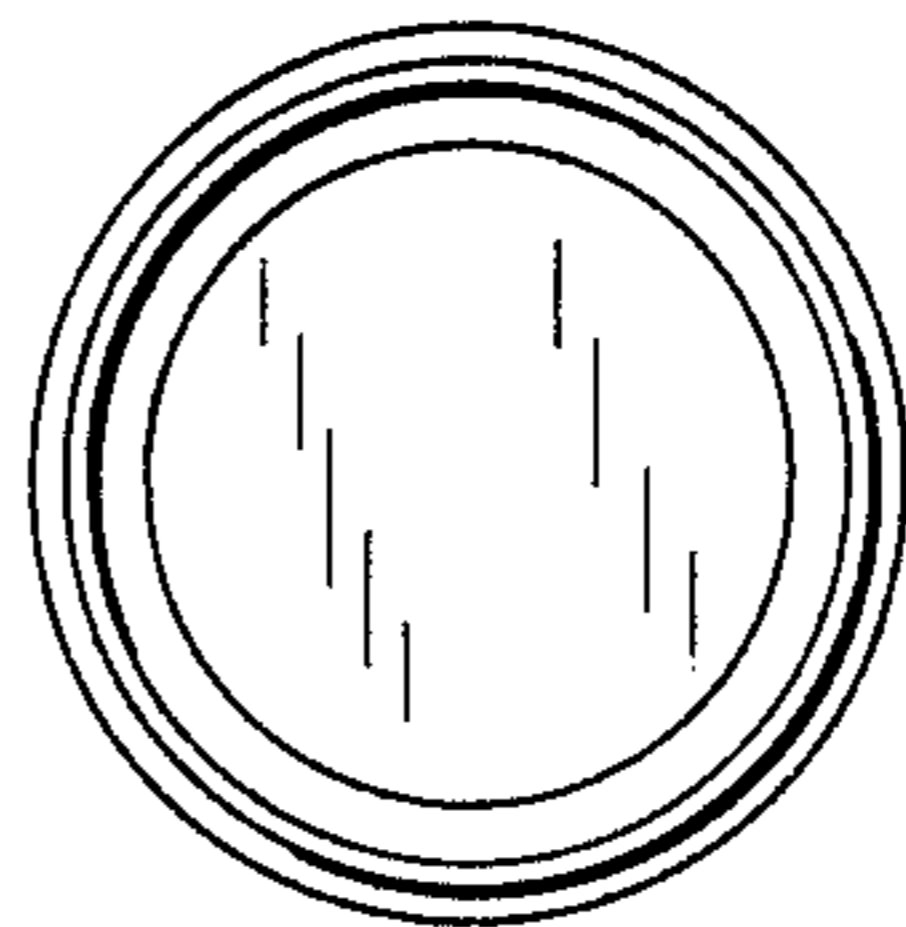


FIG. 4

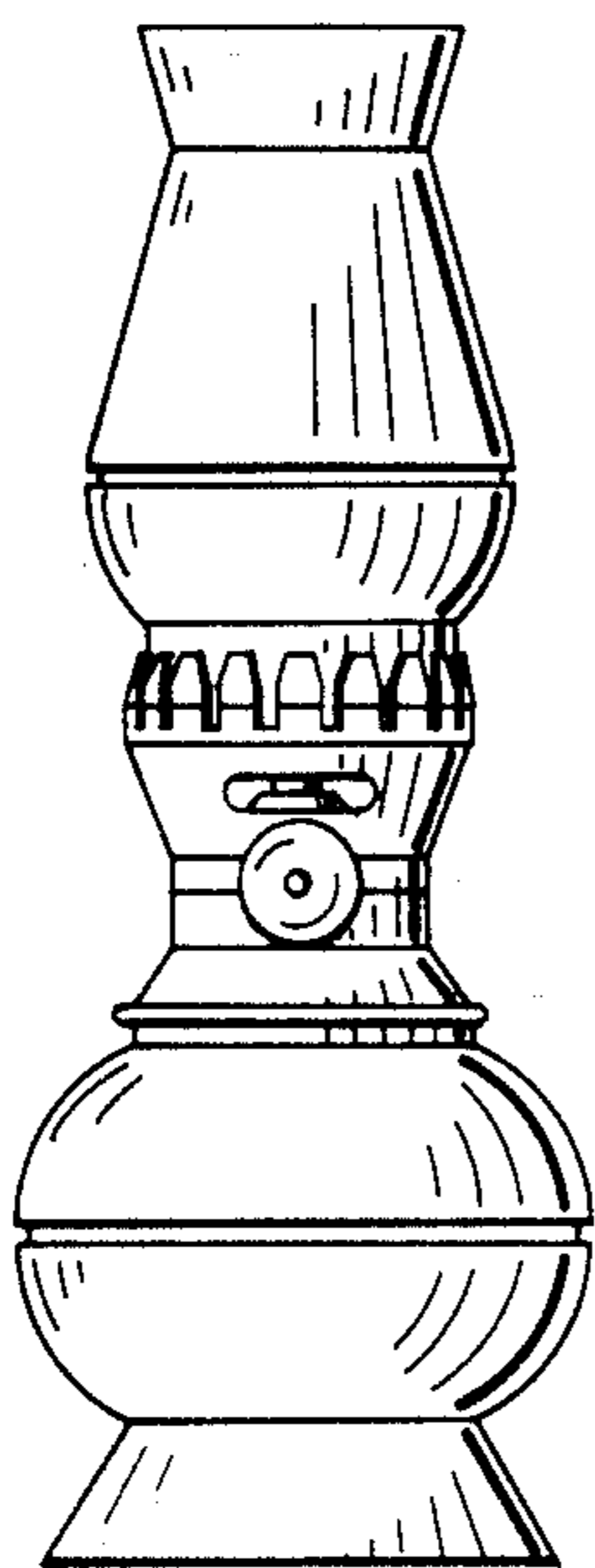


FIG. 5

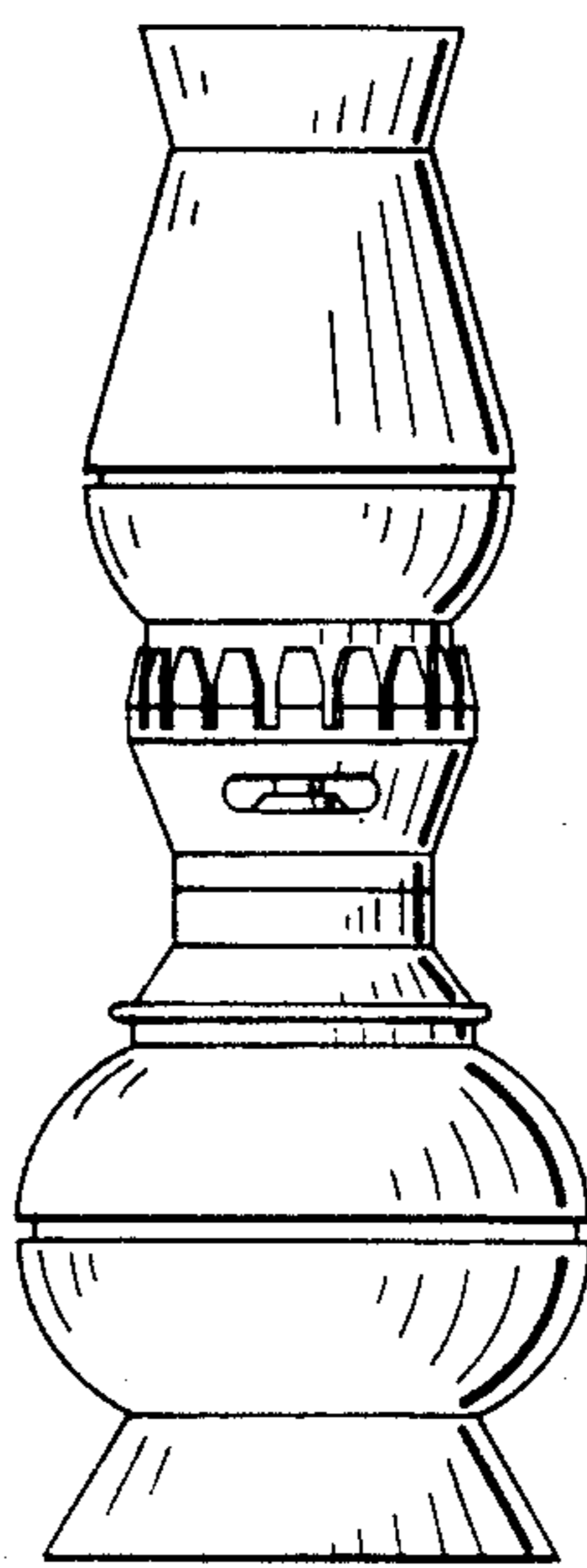


FIG. 6