

[54] AIR FLOW DEFLECTOR

[75] Inventor: Lennart Gustavsson, Vaxjo, Sweden

[73] Assignee: AB Svenska Flaktfabriken, Nacka, Sweden

[\*\*] Term: 14 Years

[21] Appl. No.: 881,154

[22] Filed: Feb. 24, 1978

[30] Foreign Application Priority Data

Aug. 30, 1977 [DE] Fed. Rep. of Germany ..... 805/77

[51] Int. Cl. .... D23-04

[52] U.S. Cl. .... D23/139

[58] Field of Search ..... D23/139-167; 98/368, 40 D

[56] References Cited

U.S. PATENT DOCUMENTS

D. 153,313 4/1949 Phillips ..... D23/140

D. 241,442	9/1976	Whitbread .....	D23/139
3,358,577	12/1967	Thompson .....	98/40 D
4,131,059	12/1978	Gustavsson .....	98/36

Primary Examiner—James R. Largen  
Attorney, Agent, or Firm—Howson and Howson

[57] CLAIM

The ornamental design for an air flow defelctor, substantially as shown and described.

DESCRIPTION

FIG. 1 is a perspective view taken from the front, bottom and one side of an air flow deflector showing my new design;

FIG. 2 is another perspective view taken from the top and side shown in FIG. 1;

FIG. 3 is a top plan view thereof;

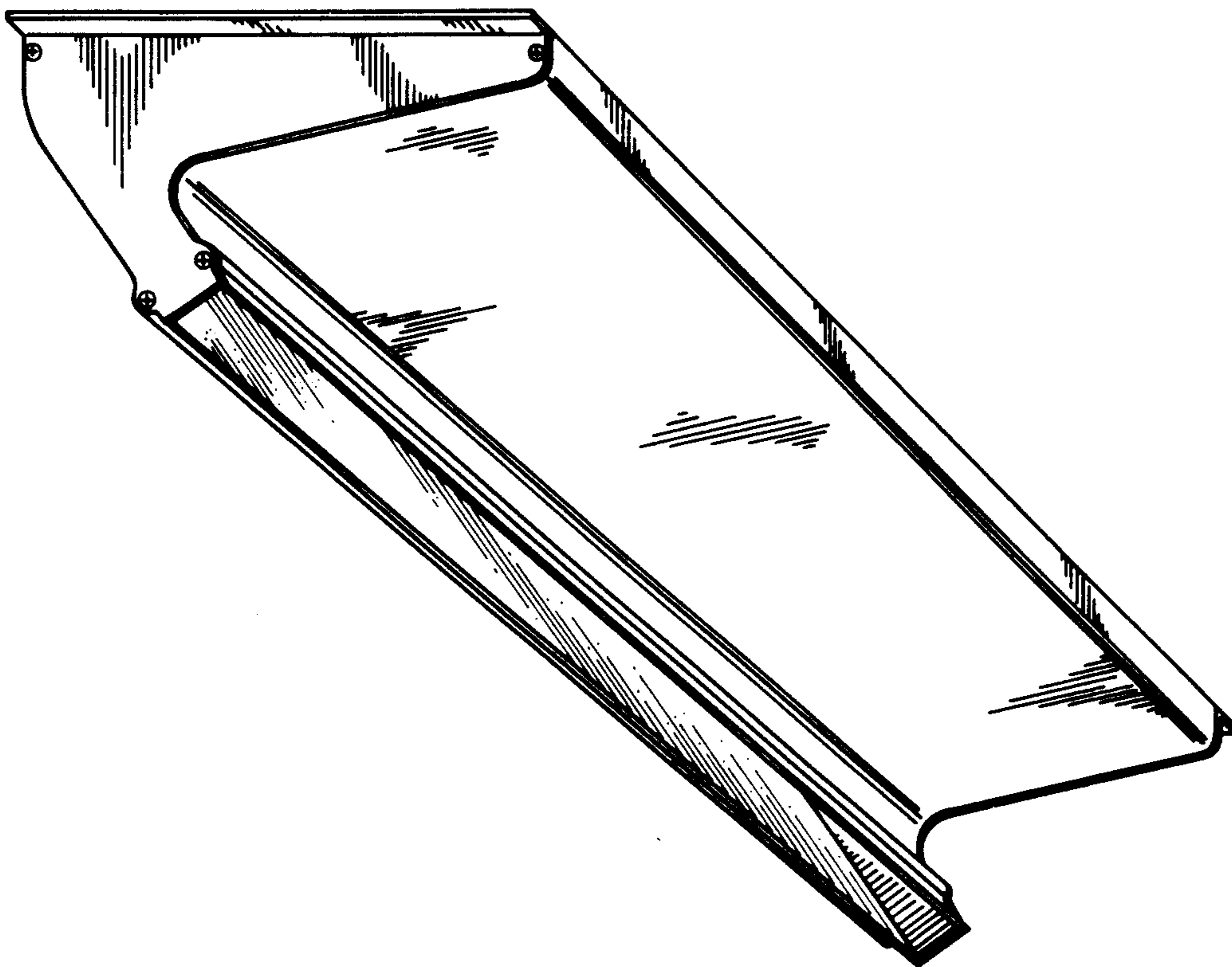
FIG. 4 is a rear elevational view thereof;

FIG. 5 is a front elevational view threof;

FIG. 6 is a bottom plan view thereof;

FIG. 7 is a left end elevational view thereof; and

FIG. 8 is a right end elevational view thereof.



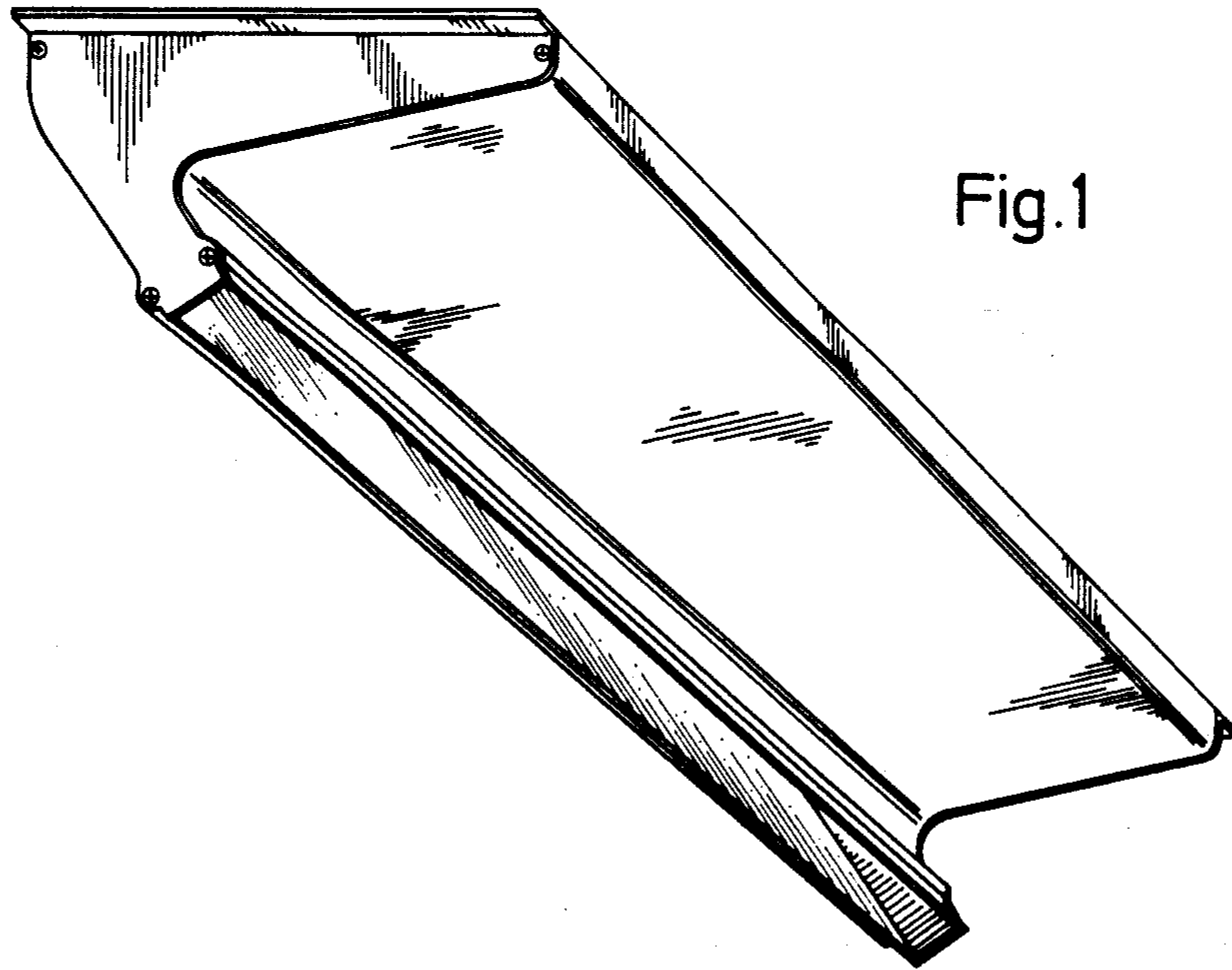


Fig. 1

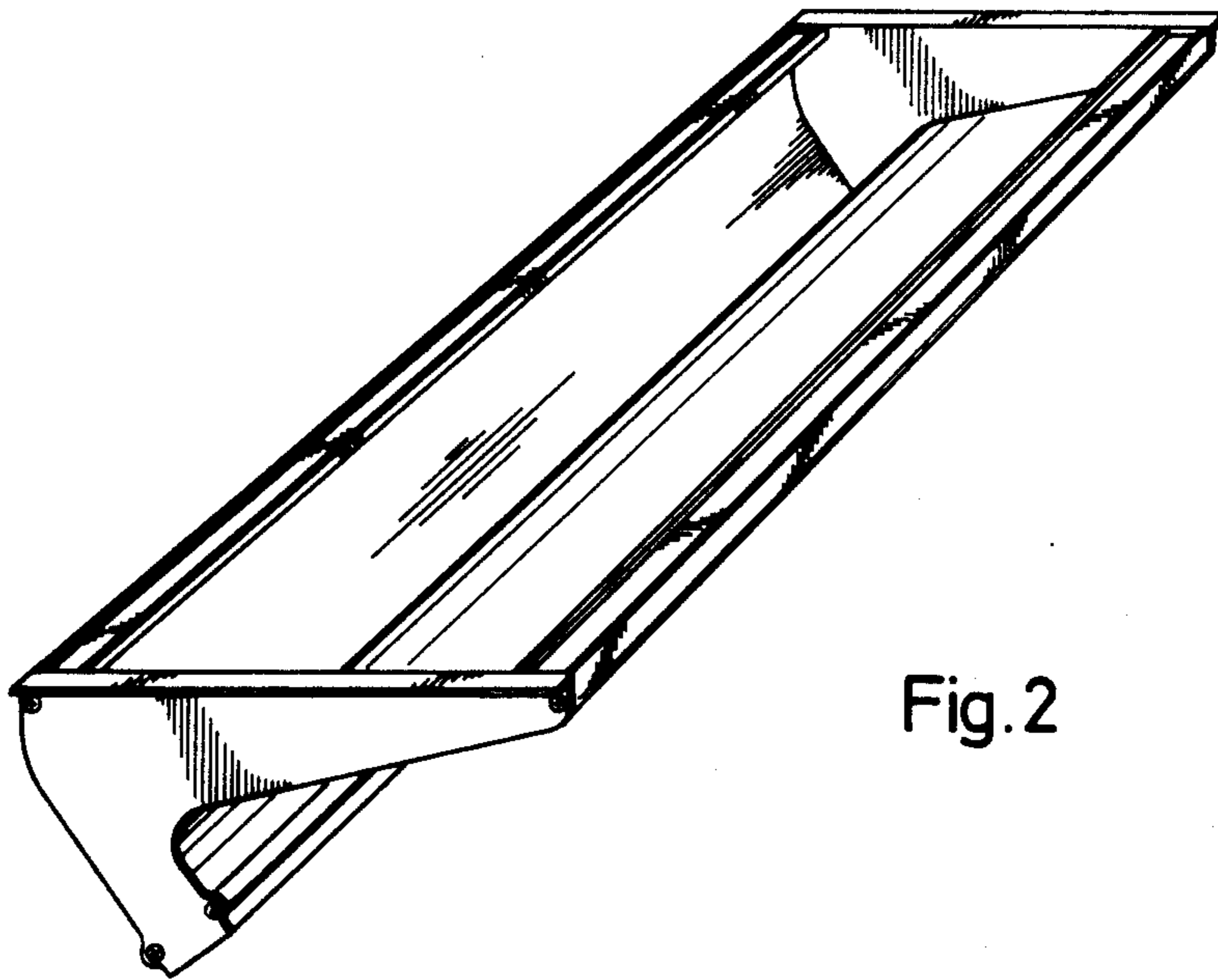


Fig. 2

