

[54] WOOD BURNING STOVE

[76] Inventor: Andrew L. C. Saye, Harrow Cottage, Froxfield, Marlborough, Wiltshire, England

[\*\*] Term: 14 Years

[21] Appl. No.: 868,616

[22] Filed: Jan. 11, 1978

[30] Foreign Application Priority Data

Jul. 19, 1977 [GB] United Kingdom ..... 980824/77

[51] Int. Cl. .... D23-03

[52] U.S. Cl. .... D23/97

[58] Field of Search ..... D23/72, 92, 93, 94, D23/95, 96, 97; 126/4, 6, 58, 59, 60, 62, 65, 120, 121, 123, 126, 138, 110

[56] References Cited

U.S. PATENT DOCUMENTS

D. 236,346 8/1975 Kemple ..... D23/93  
D. 250,418 11/1978 Baker ..... D23/97

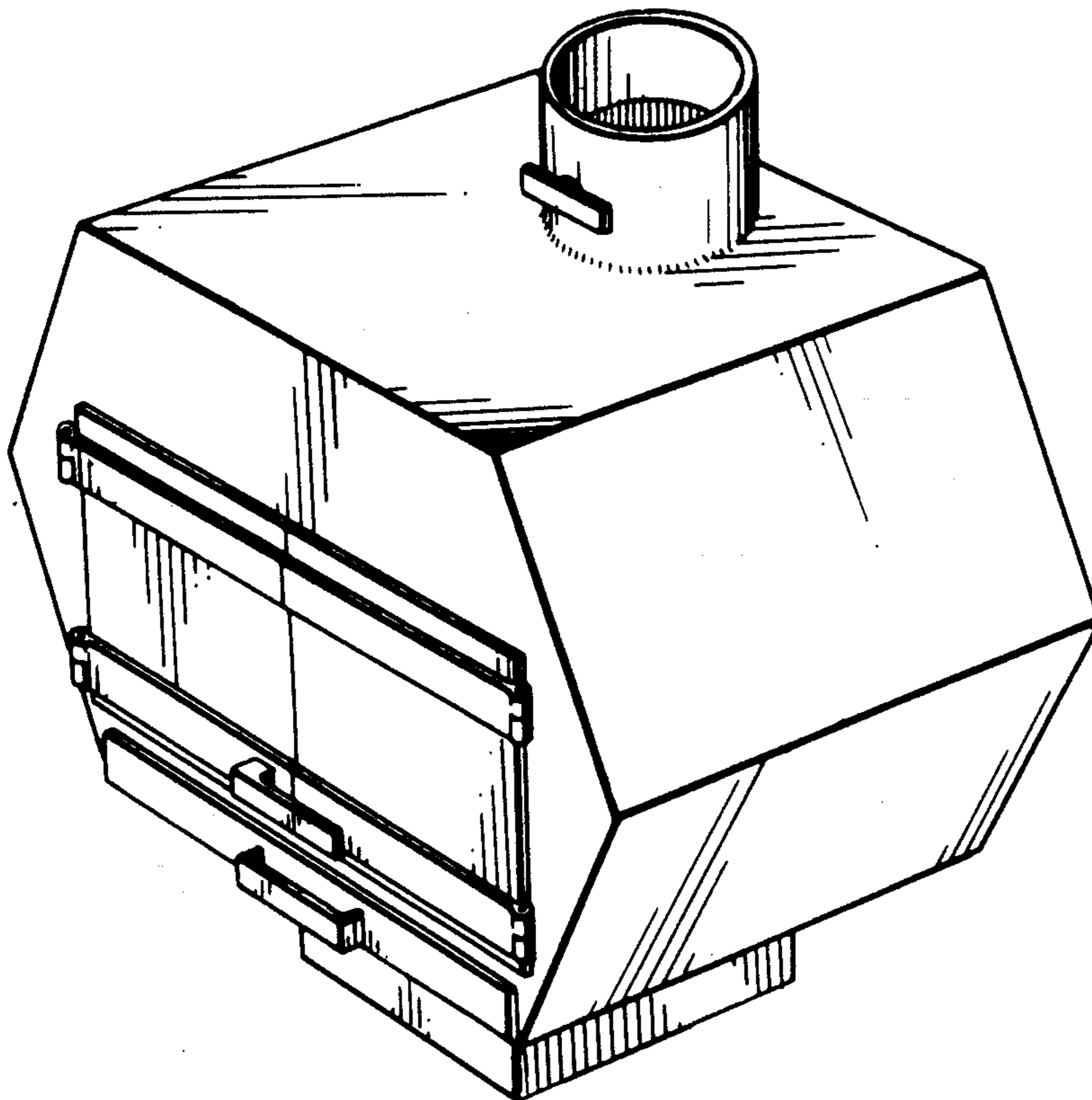
Primary Examiner—Wallace R. Burke  
Assistant Examiner—Catherine Kemper  
Attorney, Agent, or Firm—Fleit & Jacobson

[57] CLAIM

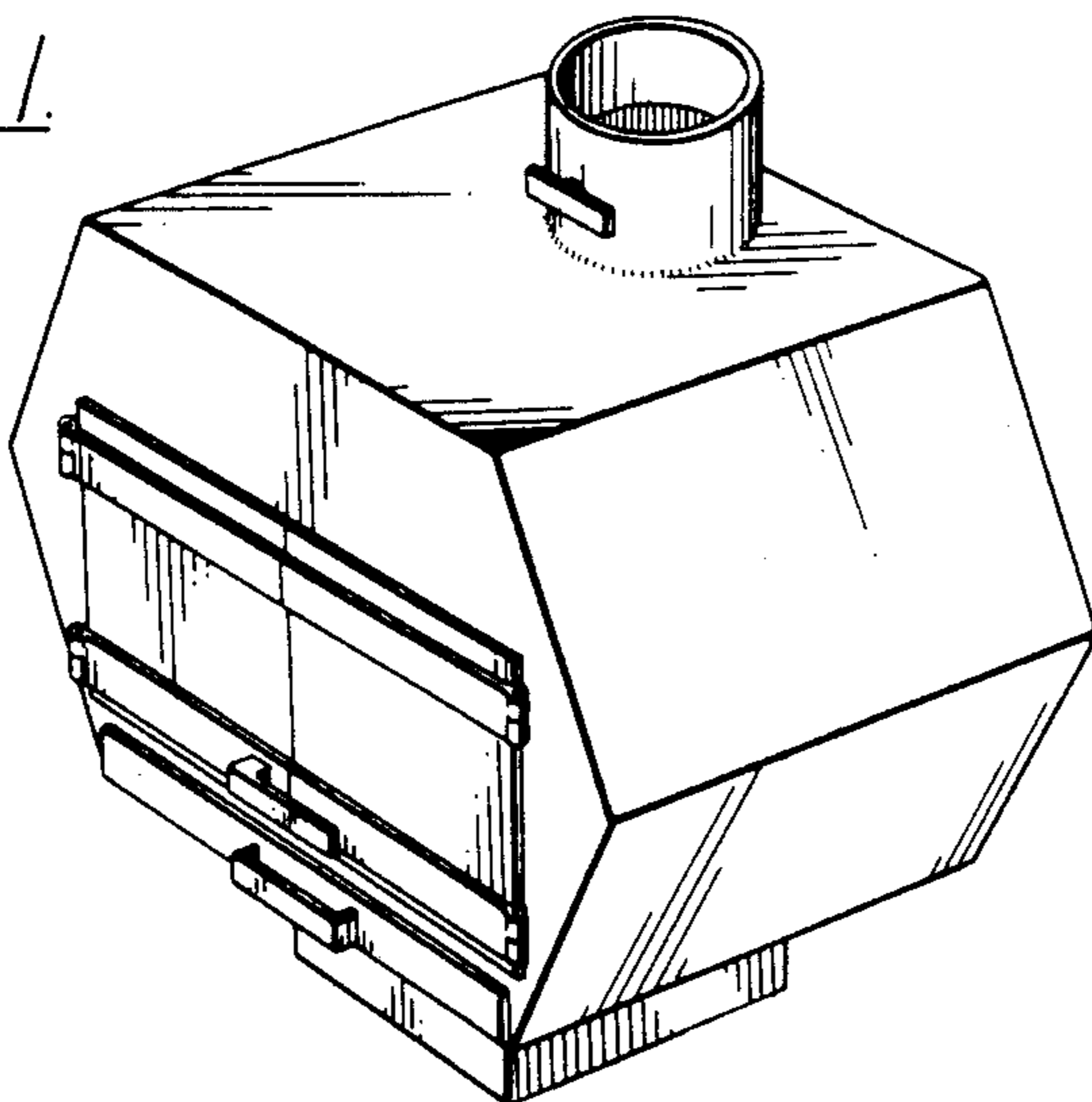
The ornamental design for a wood burning stove, substantially as shown and described.

DESCRIPTION

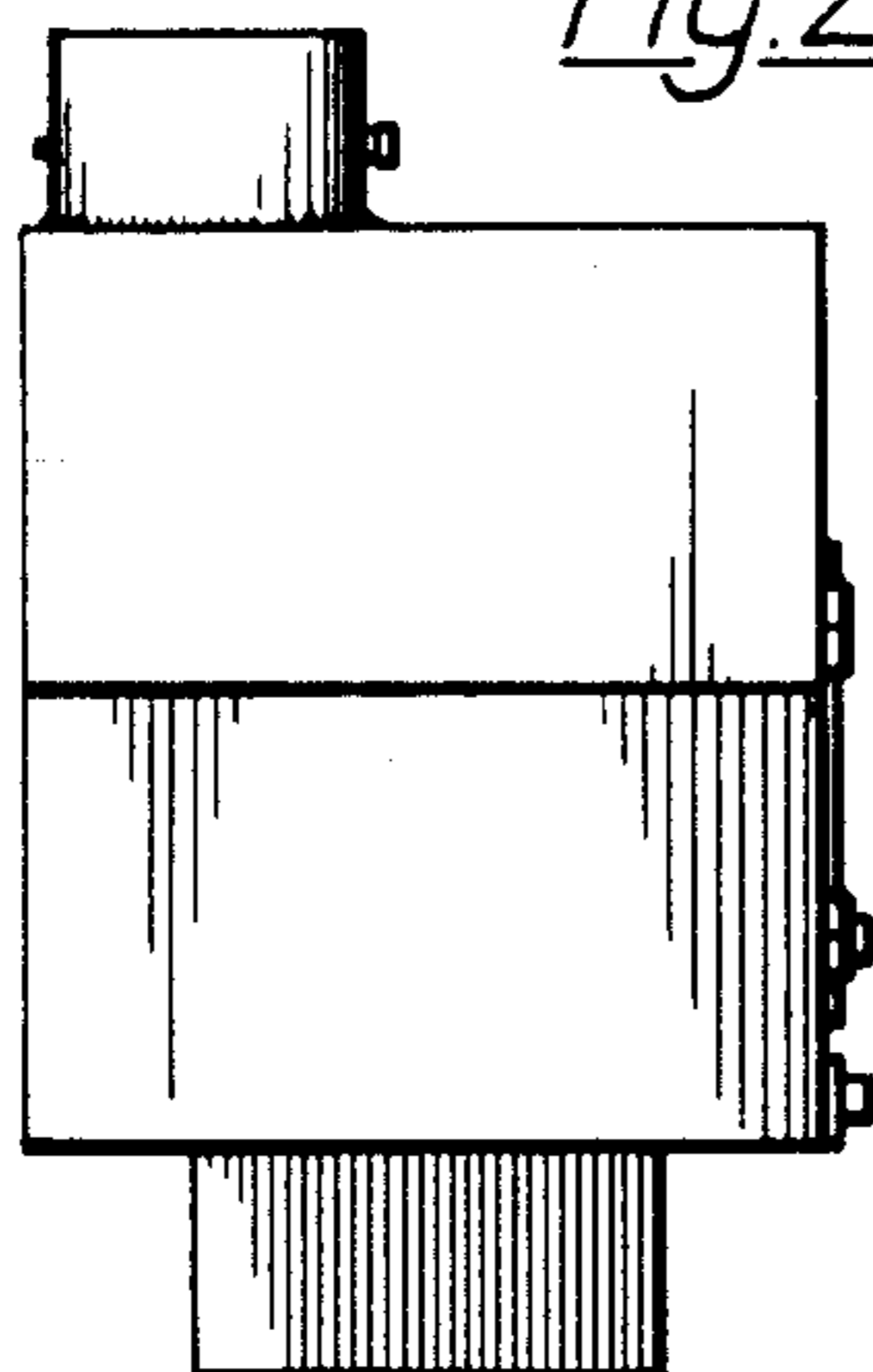
FIG. 1 is a top front perspective view of a wood burning stove, showing my new design;  
FIG. 2 is a left side elevational view thereof;  
FIG. 3 is a rear elevational view thereof;  
FIG. 4 is a bottom plan view thereof;  
FIG. 5 is a top front perspective view of a second embodiment, wherein the only difference resides in the location of the flue;  
FIG. 6 is a left side elevational view thereof;  
FIG. 7 is a rear elevational view thereof;  
FIG. 8 is a bottom plan view thereof.



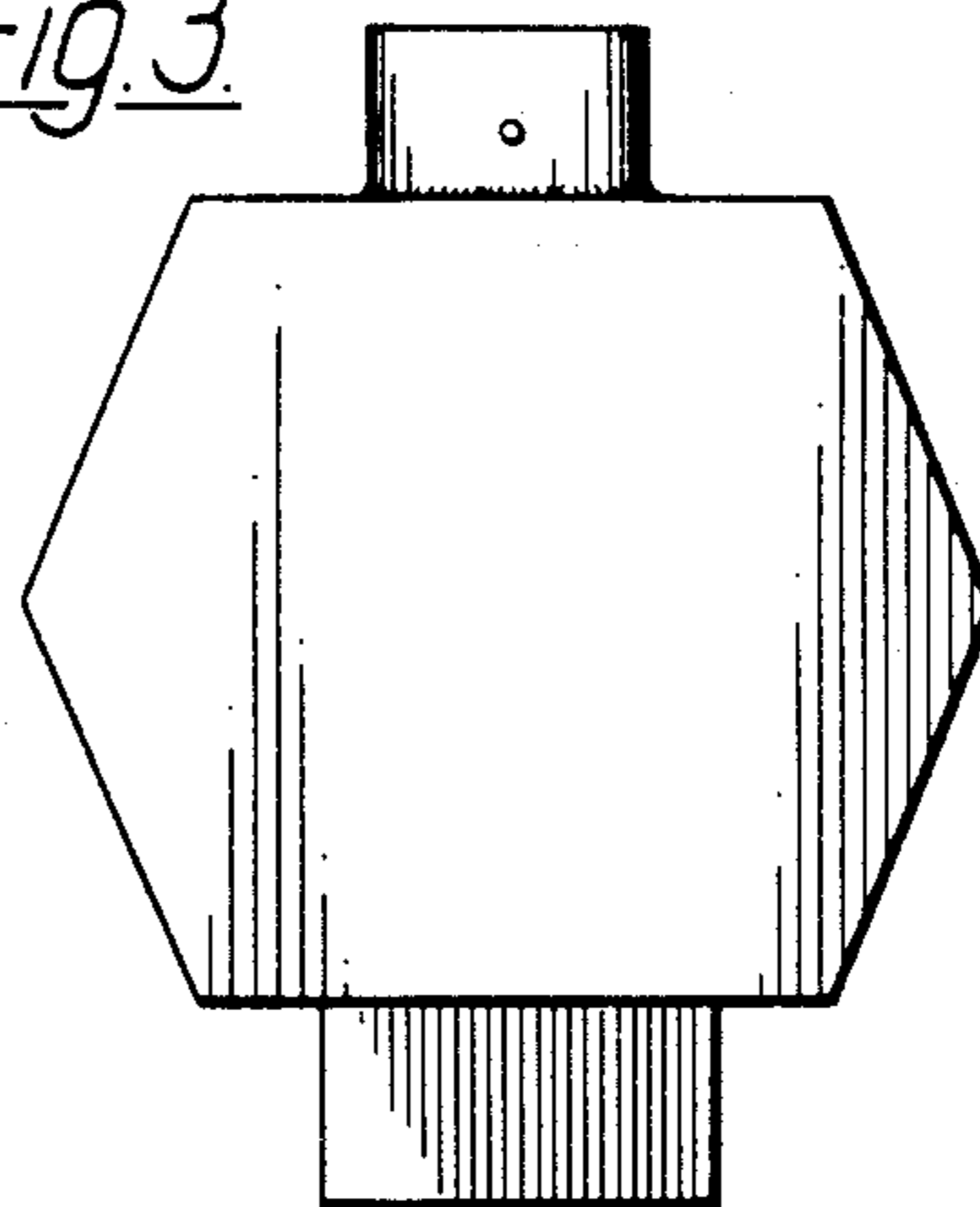
*Fig. 1.*



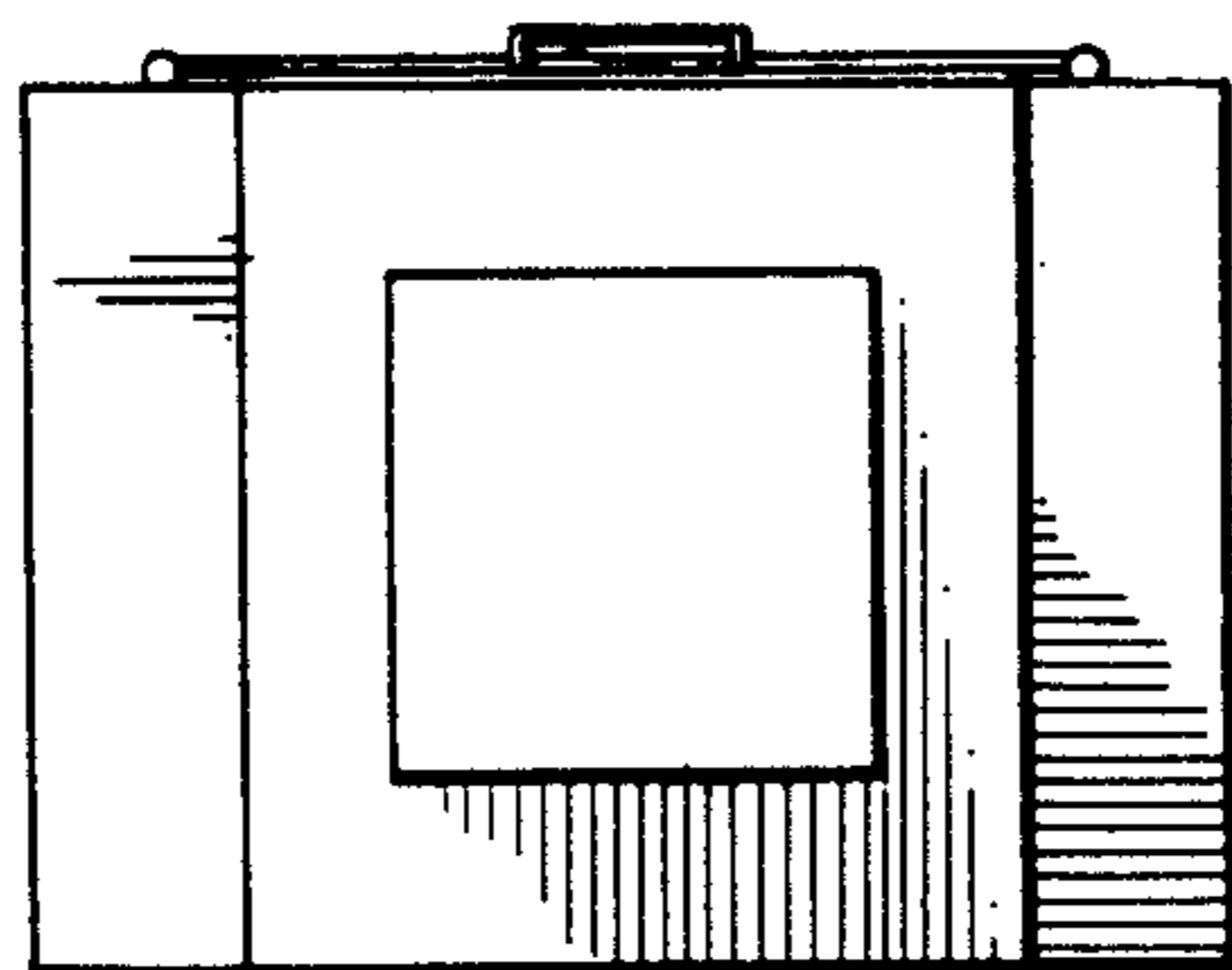
*Fig. 2.*



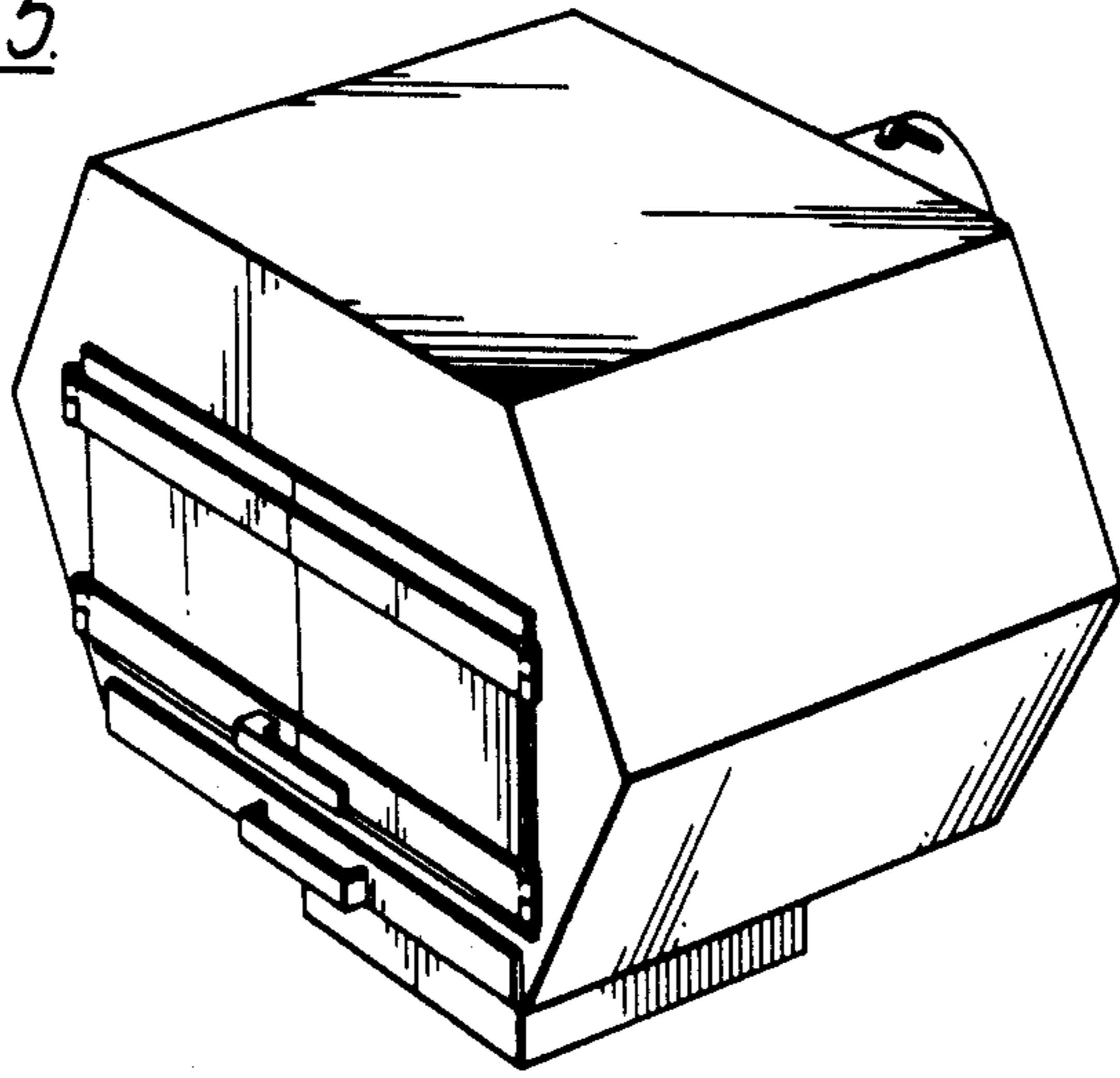
*Fig. 3.*



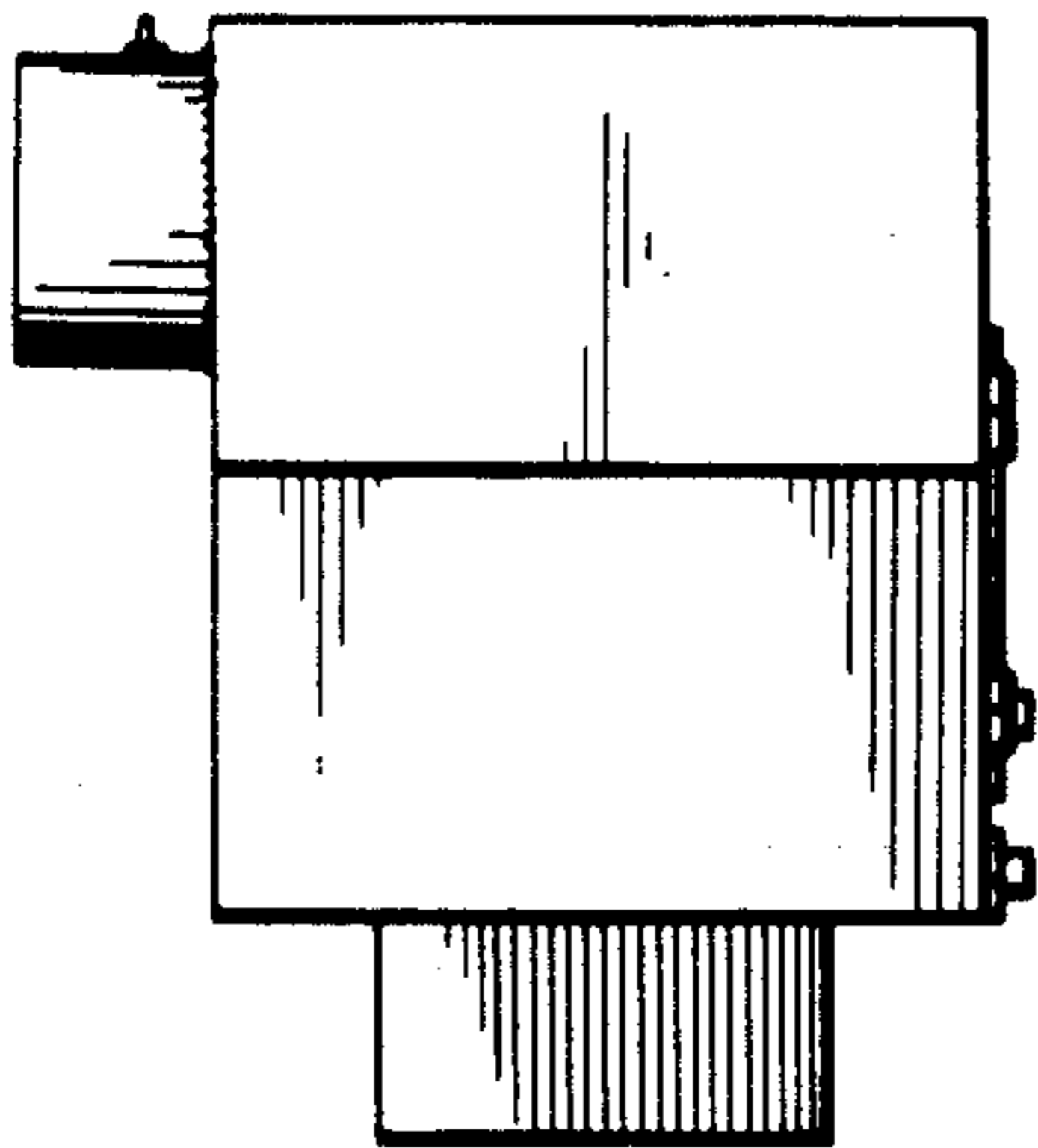
*Fig. 4.*



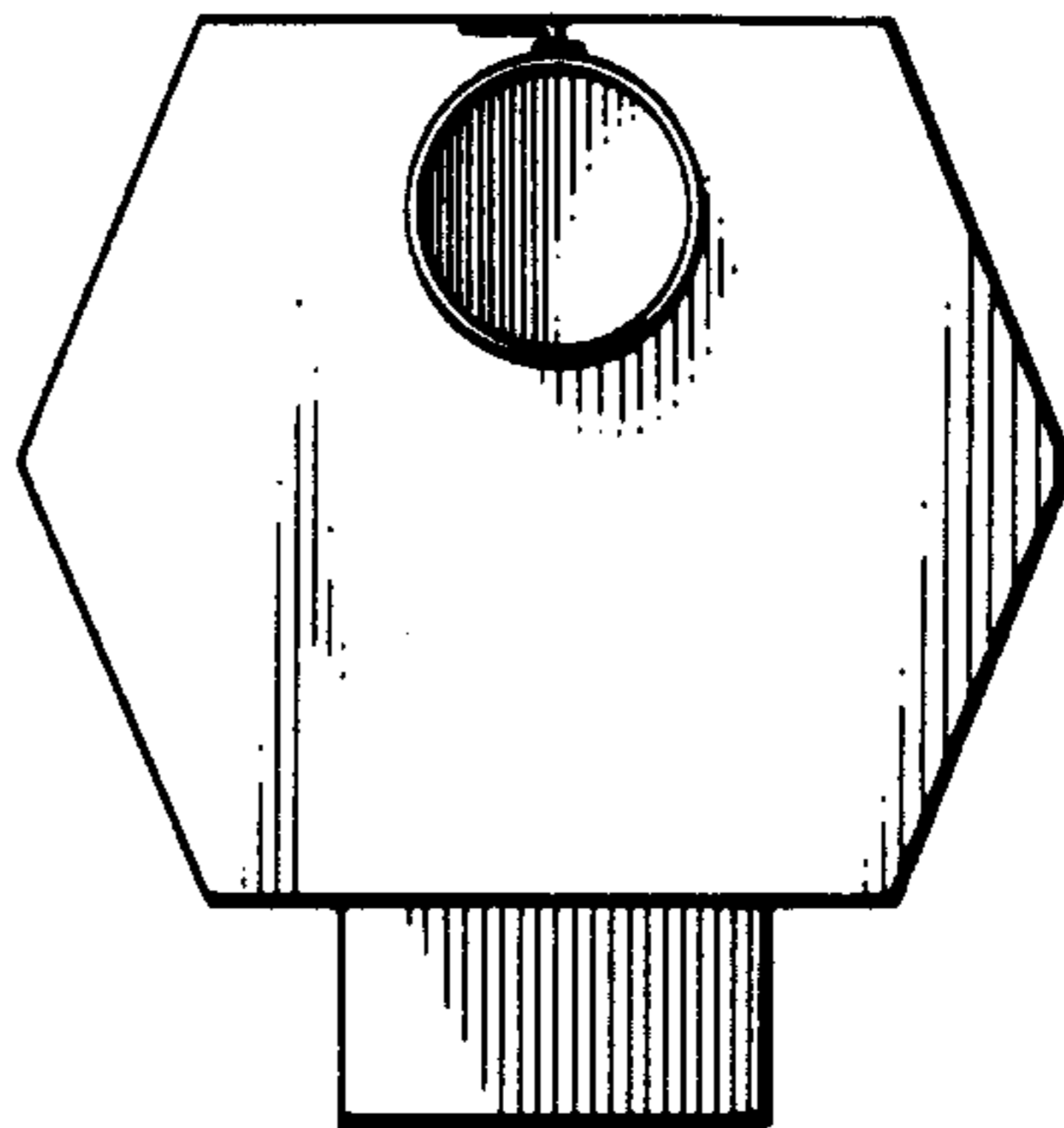
*Fig. 5.*



*Fig. 6.*



*Fig. 7.*



*Fig. 8.*

