

[54] **HOSE COUPLING FITTING**

[75] **Inventor:** Jerry R. Hayes, Peoria, Ill.
 [73] **Assignee:** L. R. Nelson Corporation, Peoria, Ill.

[**] **Term:** 14 Years

[21] **Appl. No.:** 838,964

[22] **Filed:** Oct. 3, 1977

[51] **Int. Cl.** D23—01

[52] **U.S. Cl.** D23/44

[58] **Field of Search** D23/40-47;
 285/38, 246-249, 255, 354, 386, 423

[56] **References Cited**

U.S. PATENT DOCUMENTS

D. 33,086	8/1900	Levering	D23/44
D. 121,608	7/1940	Bedur	D23/44
D. 187,578	3/1966	Moffatt	D23/44
D. 195,540	6/1963	Knight	D23/44
1,233,401	7/1917	Reevo	285/247
1,266,416	5/1918	Davis	285/247 X
2,414,789	1/1947	Anderson	285/248
2,449,916	9/1948	Tandet	285/249
2,833,567	5/1958	Bacher et al.	285/248 X
2,853,320	9/1958	Liebelt et al.	285/247

2,973,975	3/1961	Ramberg et al.	285/249
2,978,262	4/1961	Franek	285/248
3,008,736	11/1961	Somiran	285/249 X
3,177,061	4/1965	Holmgren	285/247
3,306,637	2/1967	Press et al.	285/249 X

FOREIGN PATENT DOCUMENTS

1016478	1/1966	United Kingdom	285/354
---------	--------	----------------------	---------

OTHER PUBLICATIONS

Hardware Age, Jan. 16, 1958, p. 51.

Primary Examiner—James R. Largen

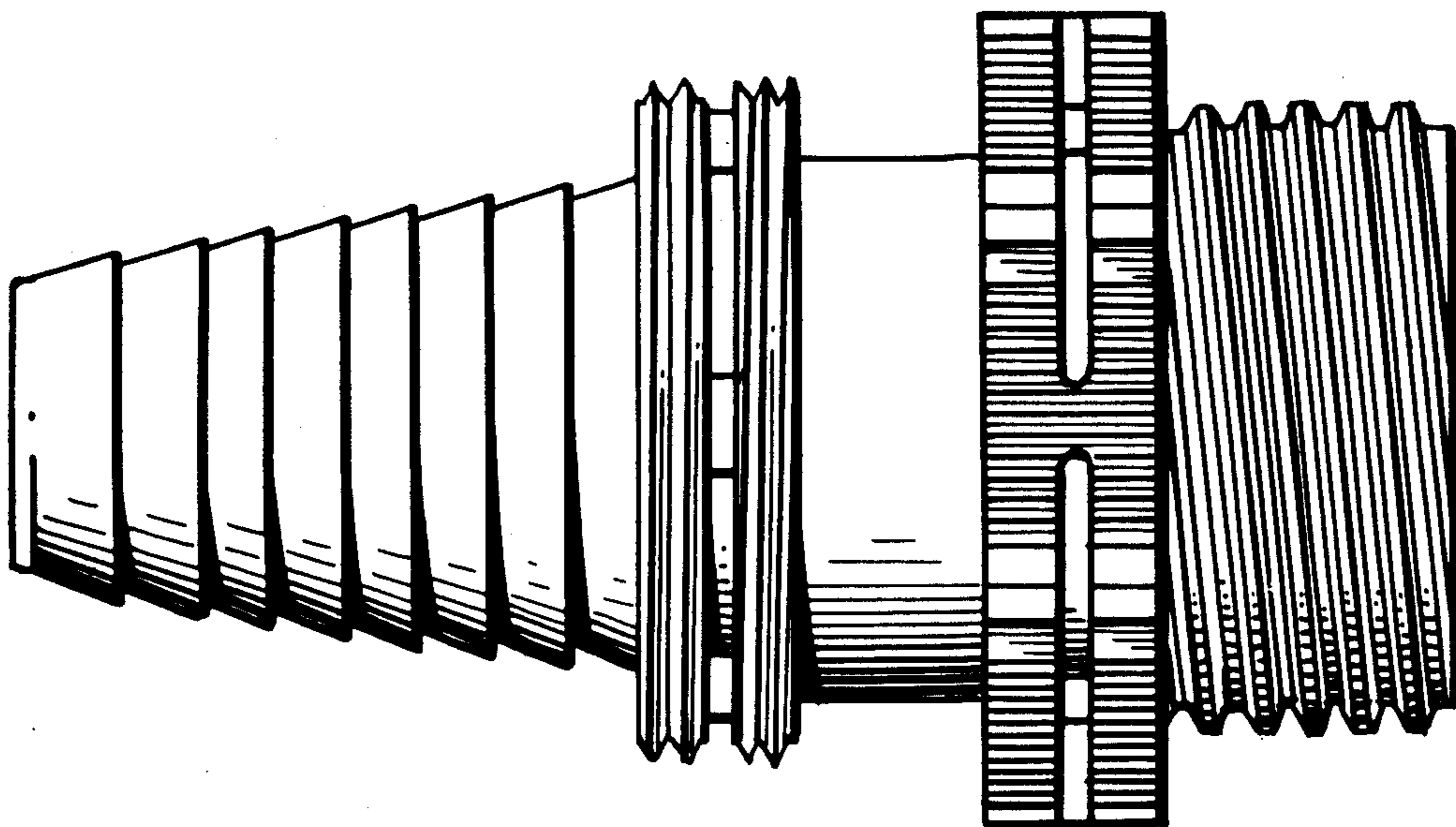
Attorney, Agent, or Firm—John W. Malley

[57] **CLAIM**

The ornamental design for a hose coupling fitting, as shown.

DESCRIPTION

FIG. 1 is a side elevational view of a hose coupling fitting showing my new design;
 FIG. 2 is a left end elevational view thereof;
 FIG. 3 is a right end elevational view thereof.
 FIG. 4 is a side elevational view of a modified form of the hose coupling fitting shown in FIG. 1;
 FIG. 5 is a right end elevational view of FIG. 4; and
 FIG. 6 is a left end elevational view of FIG. 4.



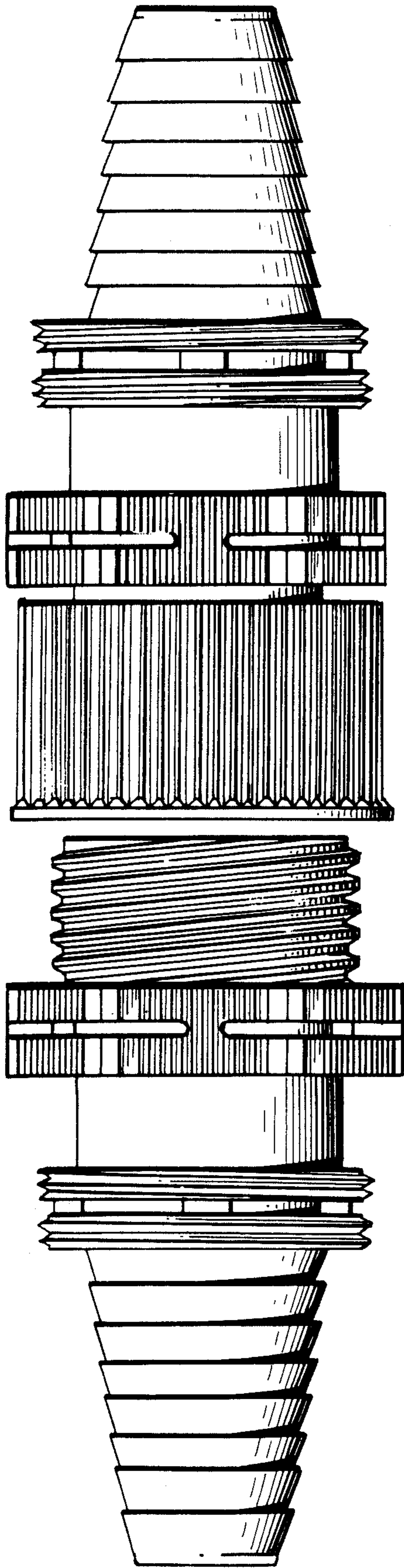


Fig. 1

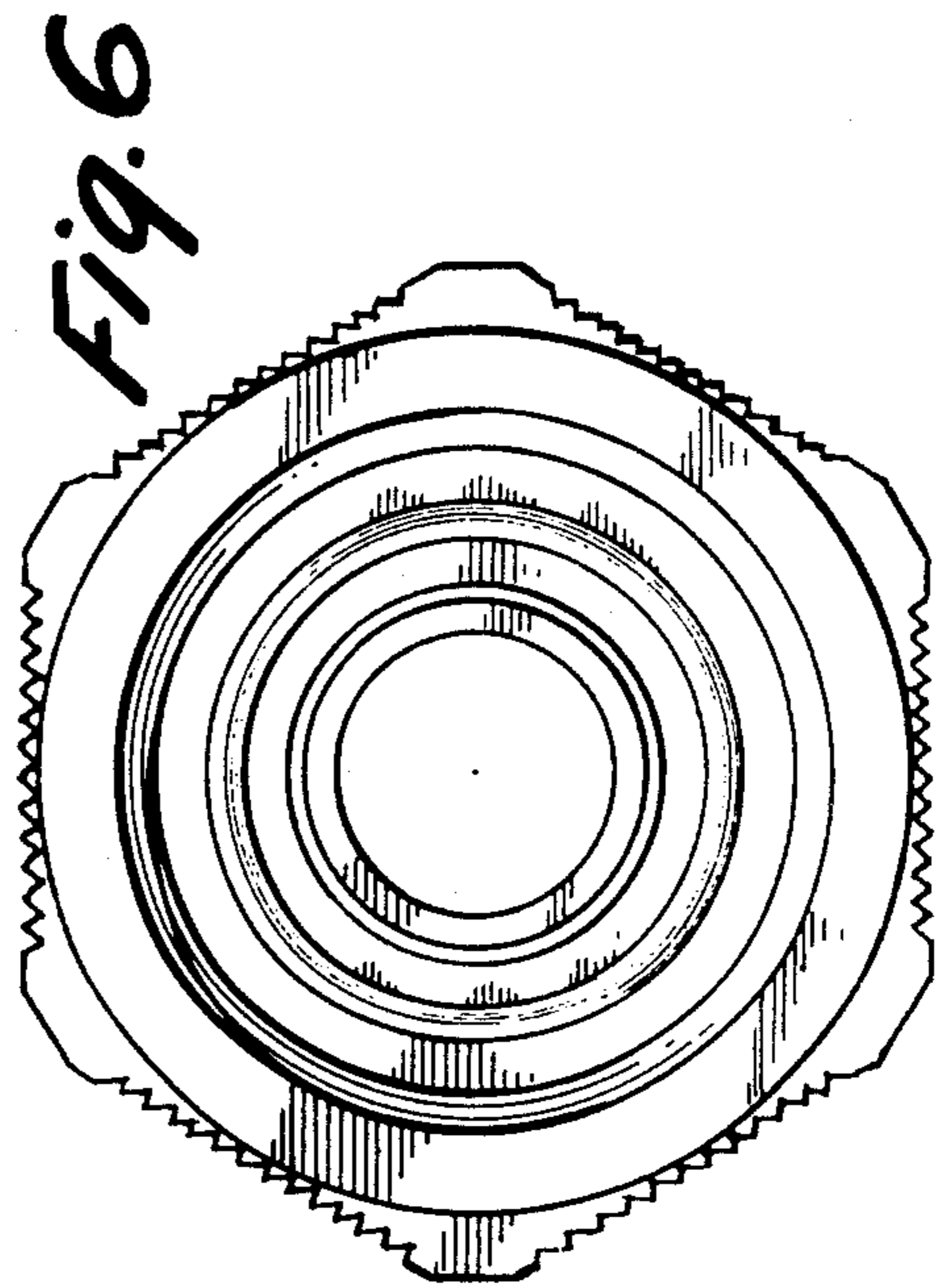


Fig. 3

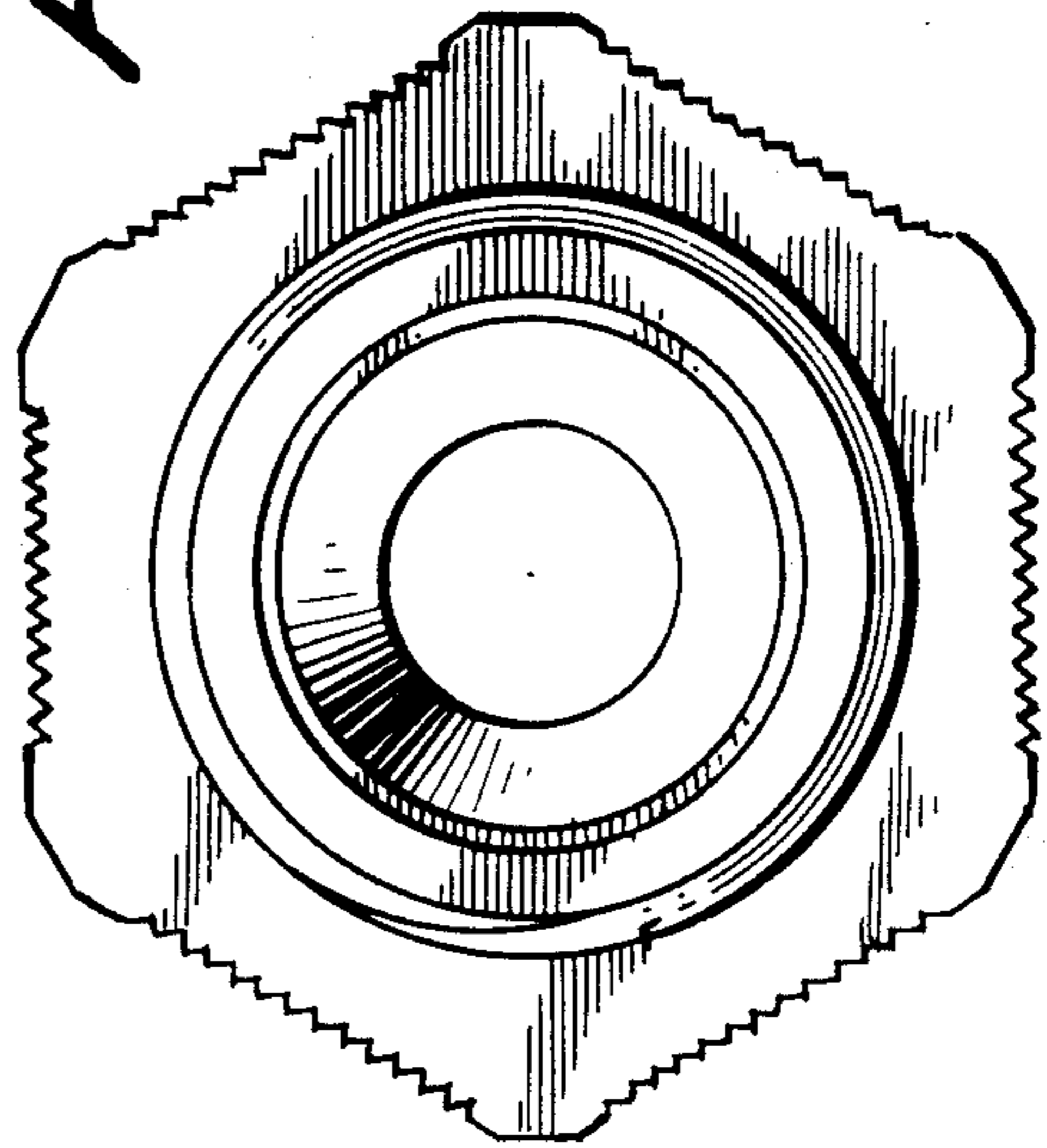
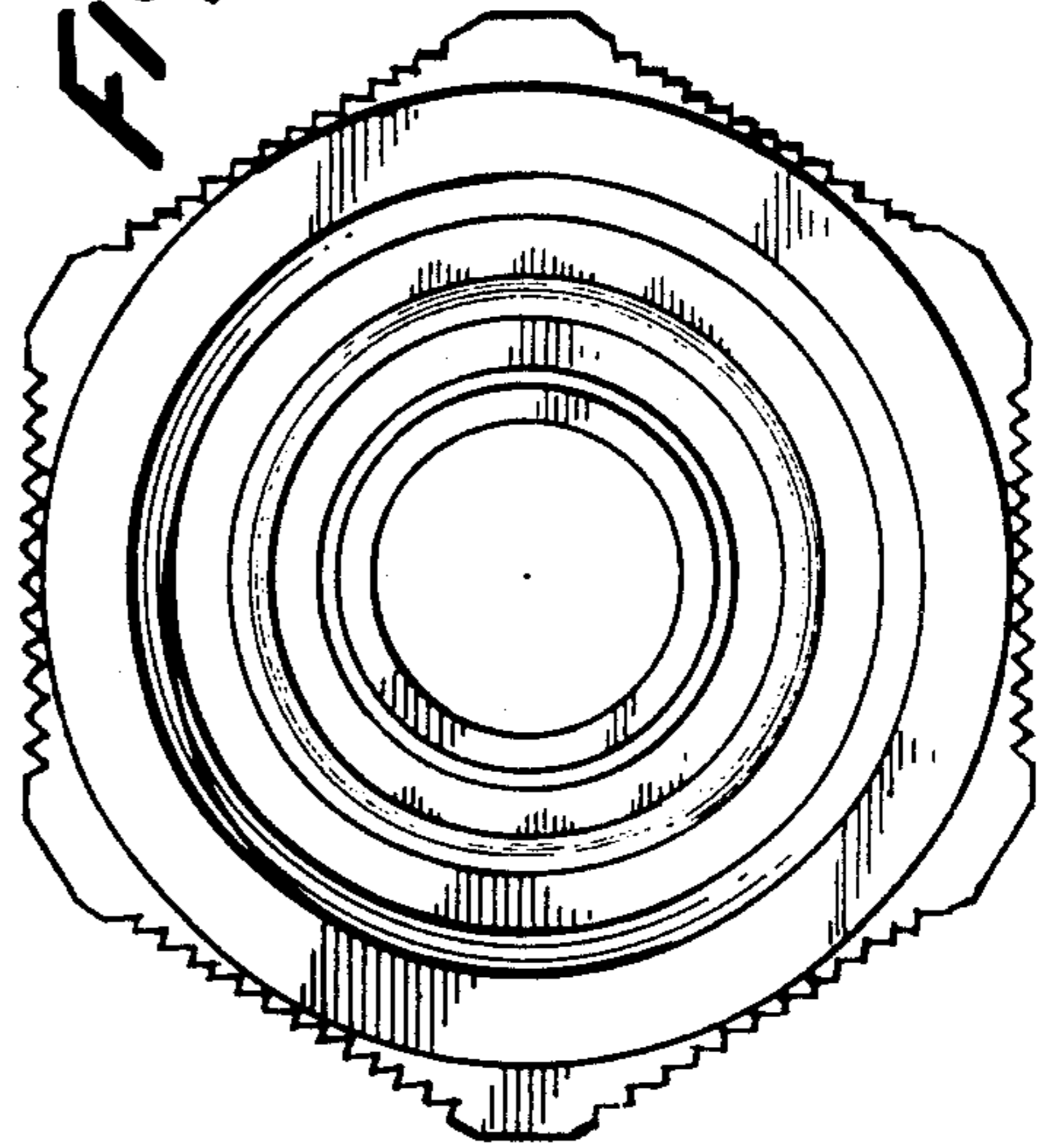


Fig. 6

Fig. 4



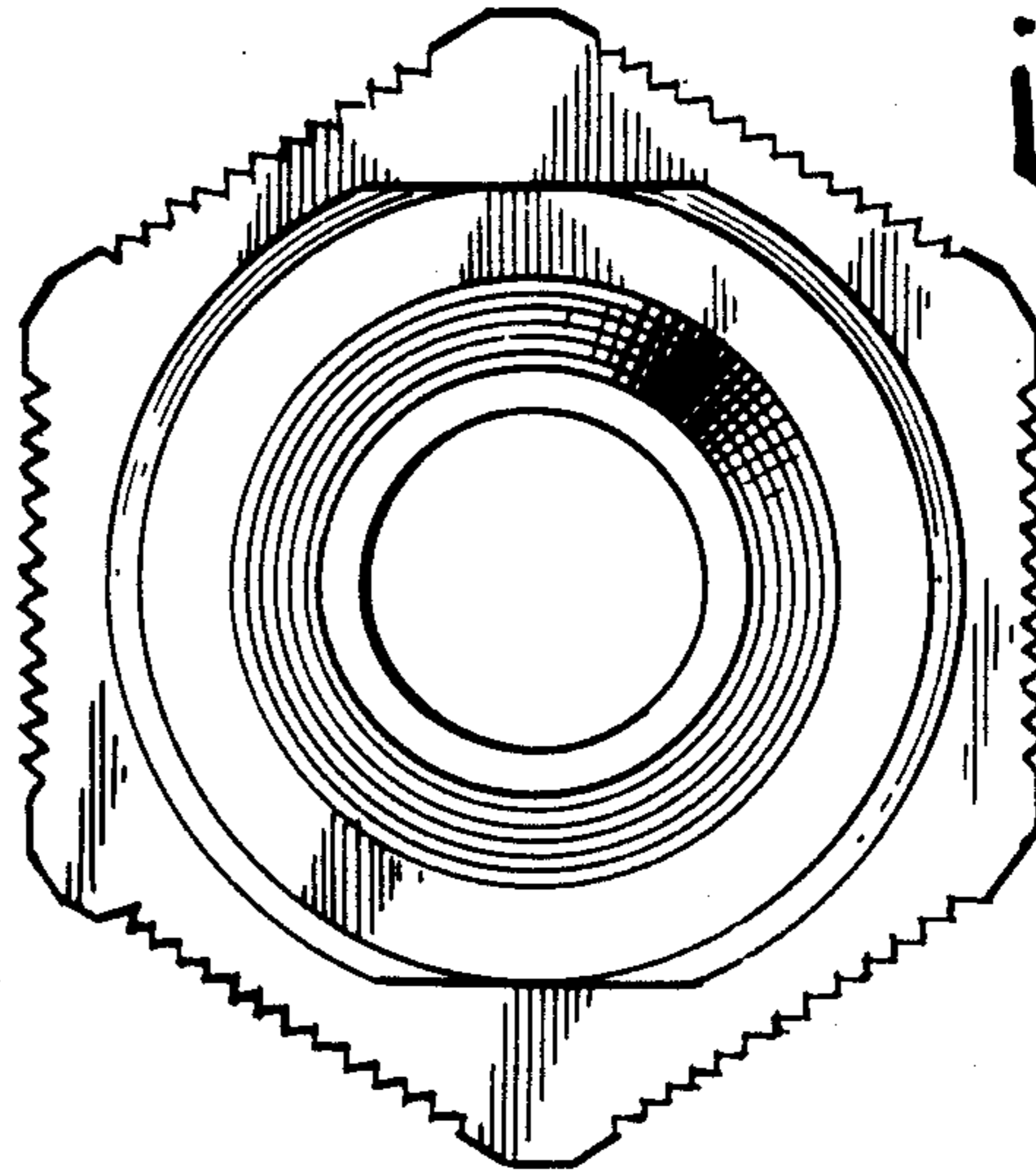


Fig. 5

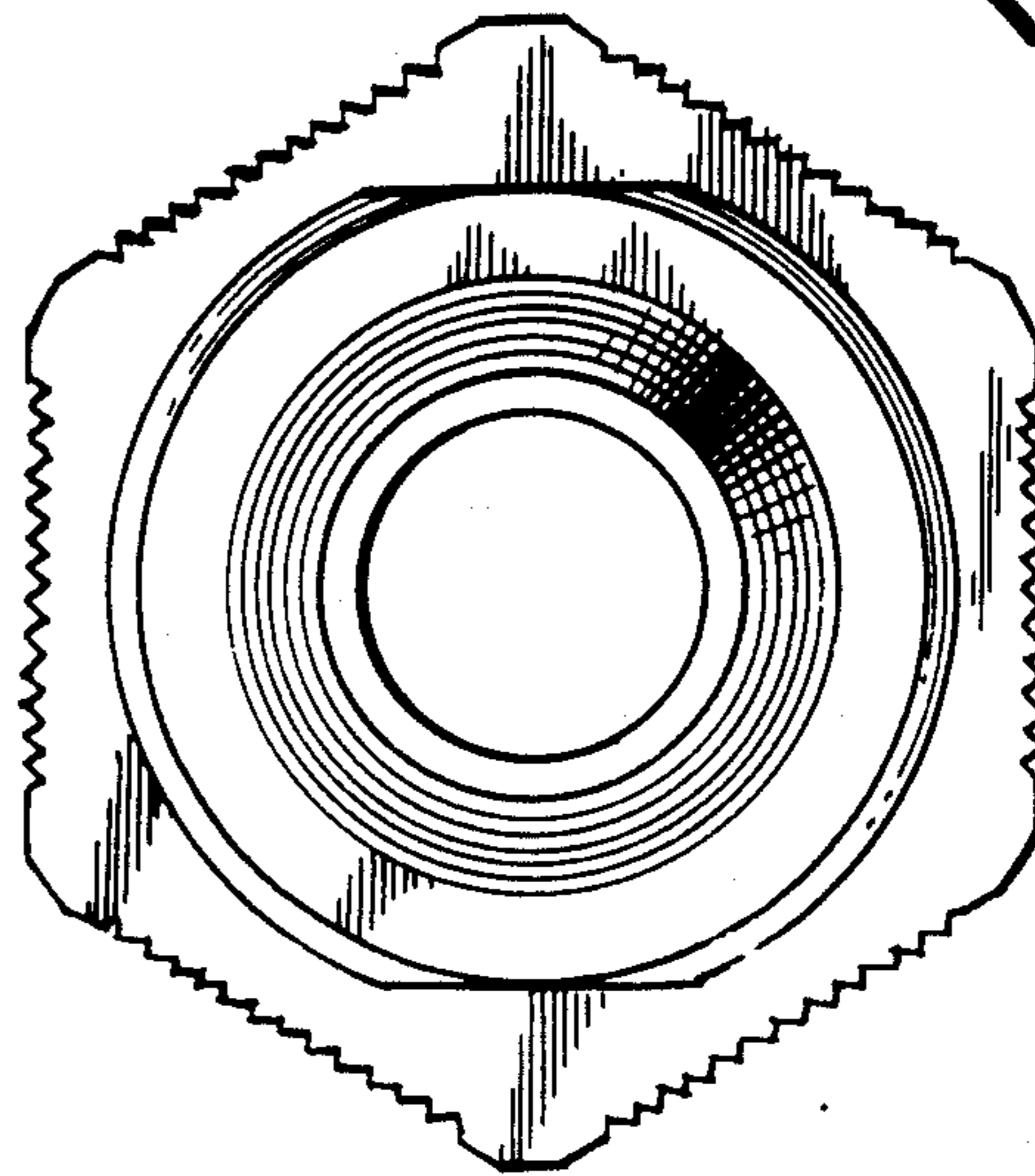


Fig. 2