

[54] PORTABLE SEWING MACHINE

[75] Inventor: Hilmar Wittler, Karlsruhe, Fed. Rep. of Germany

[73] Assignee: The Singer Company, New York, N.Y.

[**] Term: 14 Years

[21] Appl. No.: 881,311

[22] Filed: Feb. 27, 1978

[51] Int. Cl. D15-06

[52] U.S. Cl. D15/75

[58] Field of Search D15/66, 68, 69, 70, D15/72, 75, 76; 112/258, 259, 260

[56] References Cited

U.S. PATENT DOCUMENTS

D. 225,037	10/1972	Current	D15/70
D. 243,686	3/1977	Ito	D15/68
D. 250,223	11/1978	Felix	D15/78
3,858,954	1/1975	Hetterich	112/258

Primary Examiner—Joel Stearman
Assistant Examiner—Carmen H. Vales
Attorney, Agent, or Firm—William V. Ebs; Robert E. Smith; Edward L. Bell

[57] CLAIM

The ornamental design for a portable sewing machine, substantially as shown and described.

DESCRIPTION

FIG. 1 is a top plan view of a portable sewing machine showing my new design;
FIG. 2 is a head end view thereof;
FIG. 3 is a front elevational view;
FIG. 4 is a standard end view;
FIG. 5 is a rear elevational view;
FIG. 6 is a perspective view of a removable jacket detached from the sewing machine;
FIG. 7 is a perspective view of a removable base portion detached from the sewing machine;
FIG. 8 is a perspective view of the sewing machine with the removable jacket and removable base portion detached therefrom;
FIG. 9 is a top plan view thereof;
FIG. 10 is a head end view;
FIG. 11 is a standard end view;
FIG. 12 is a front elevational view;
FIG. 13 is a rear elevational view;
FIG. 14 is a bottom plan view;
FIG. 15 is a top plan view of the removable base portion detached from the sewing machine;
FIG. 16 is a view of the attaching end thereof;
FIG. 17 is a rear elevational view;
FIG. 18 is an outer end view;
FIG. 19 is a front elevational view;
FIG. 20 is a bottom plan view;
FIG. 21 is a bottom perspective view;

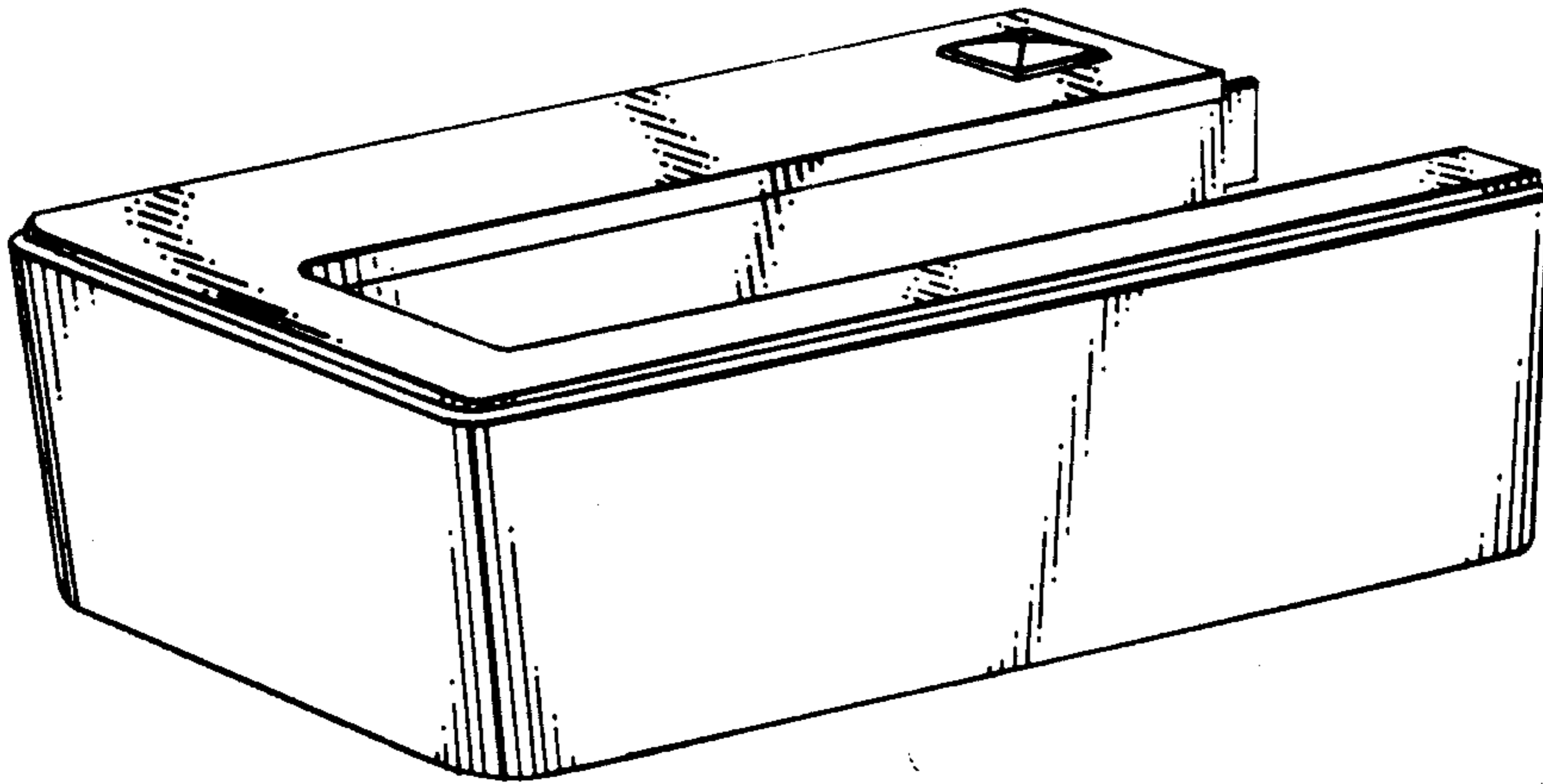


Fig. 1

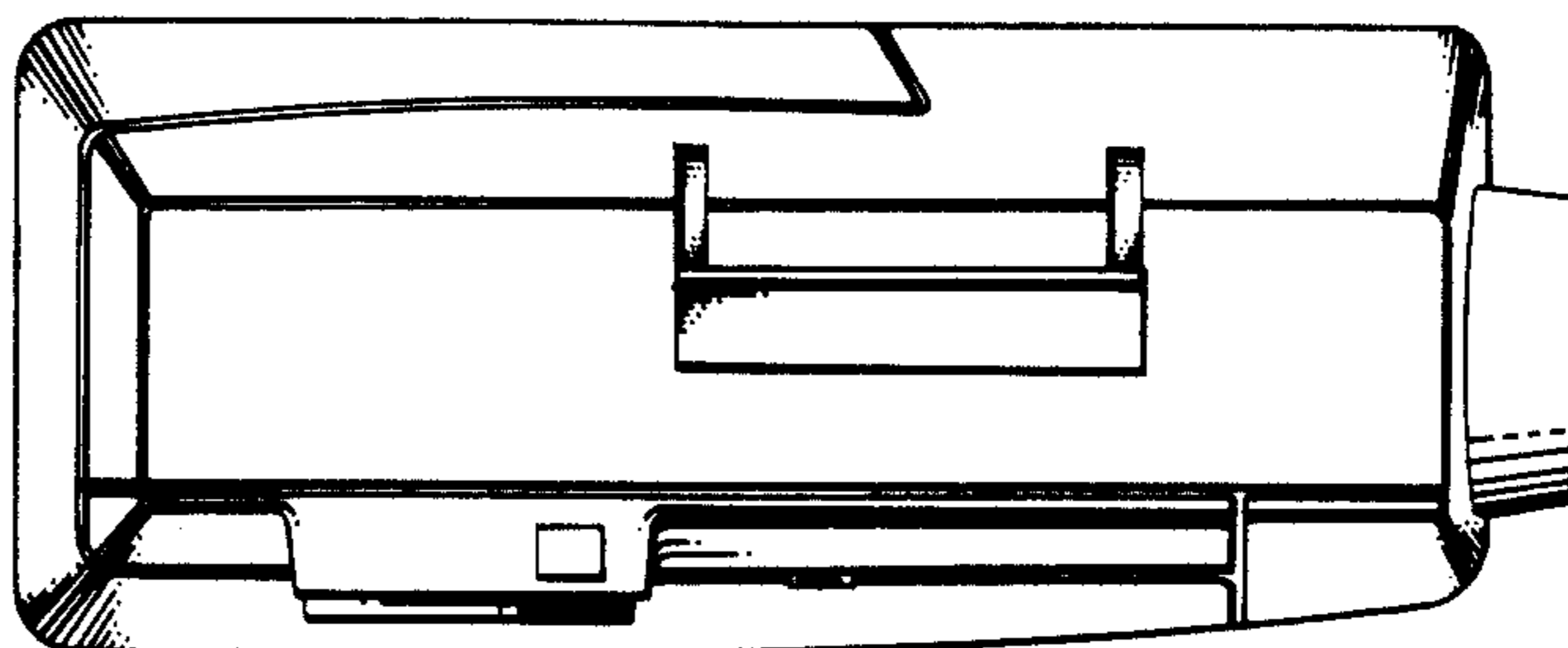


Fig. 2

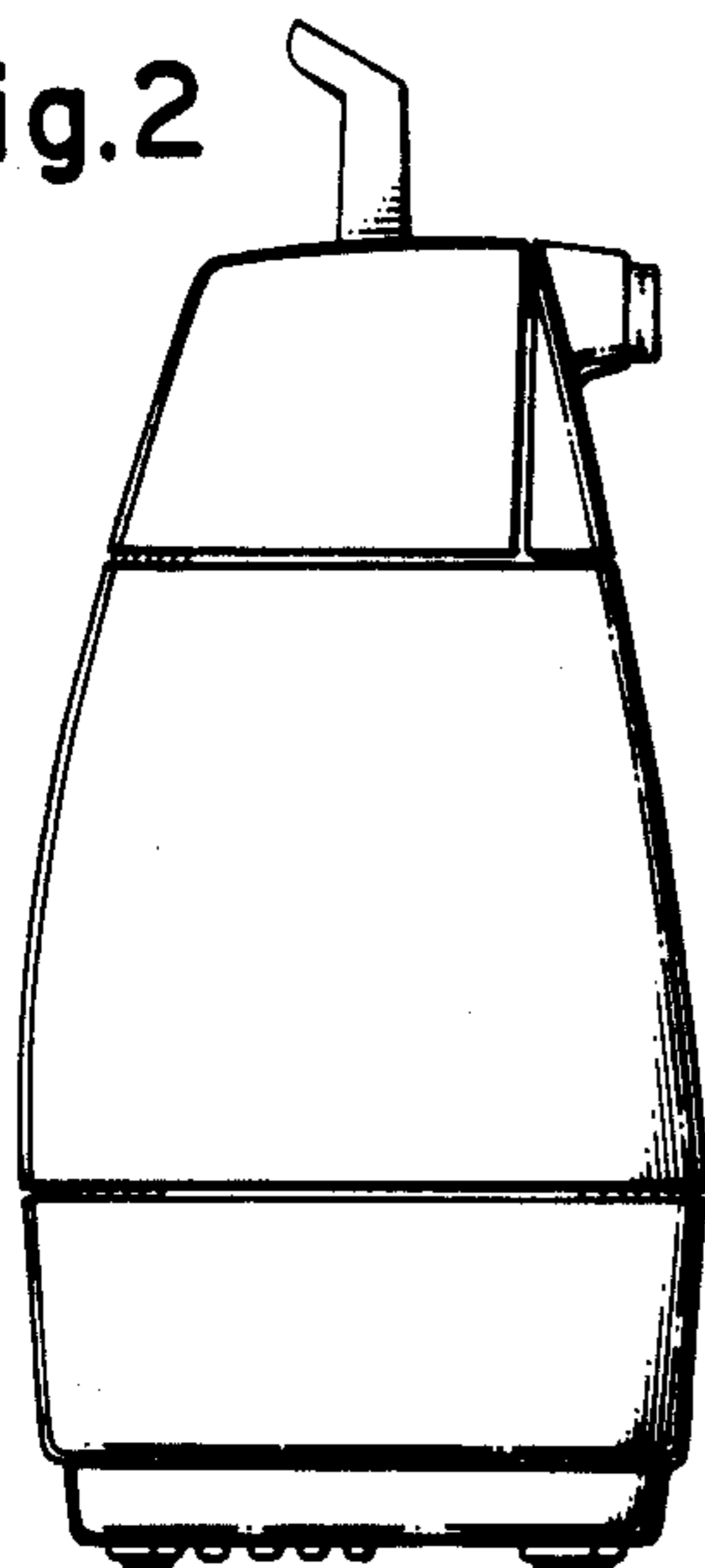


Fig. 3

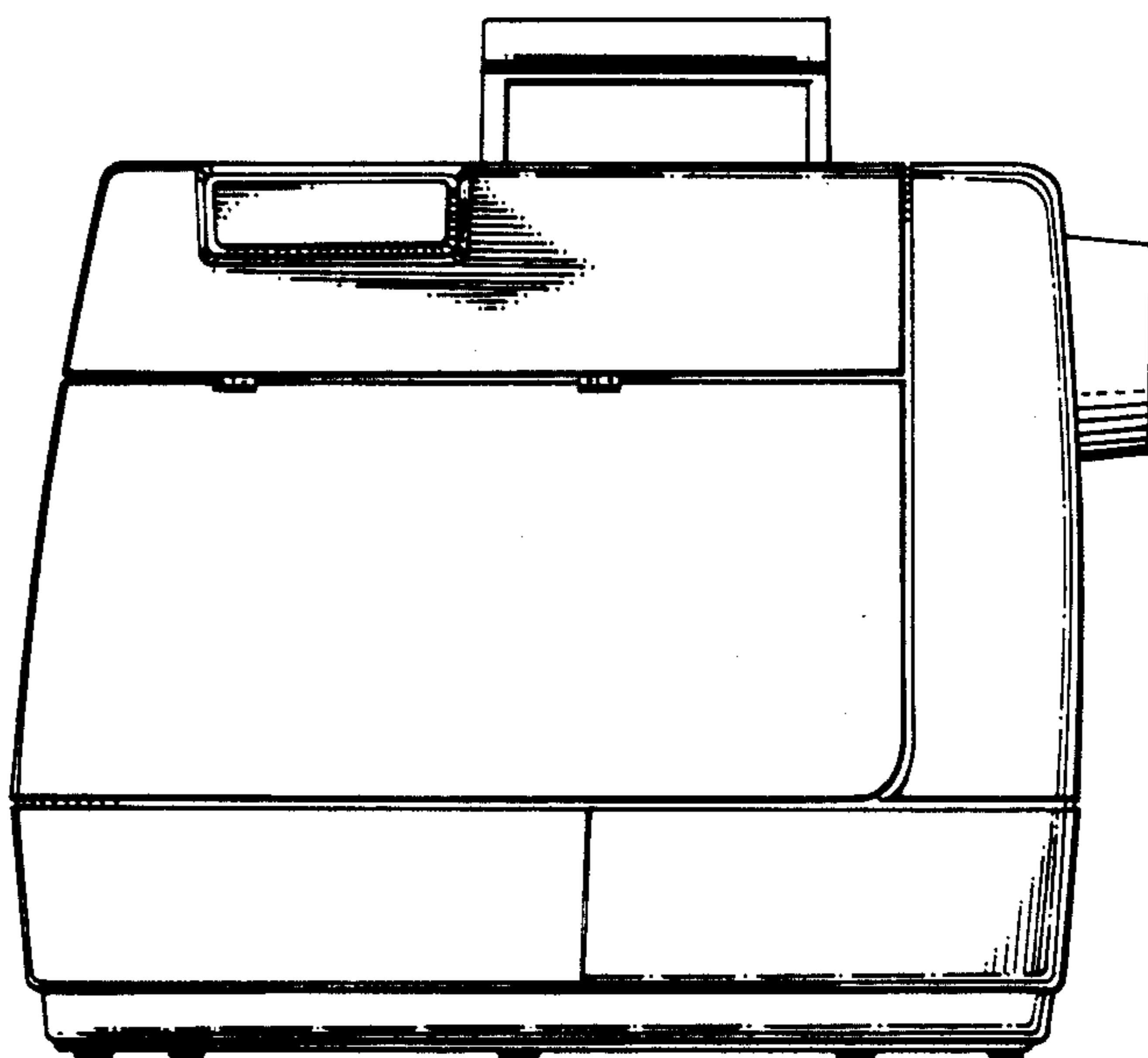


Fig. 4

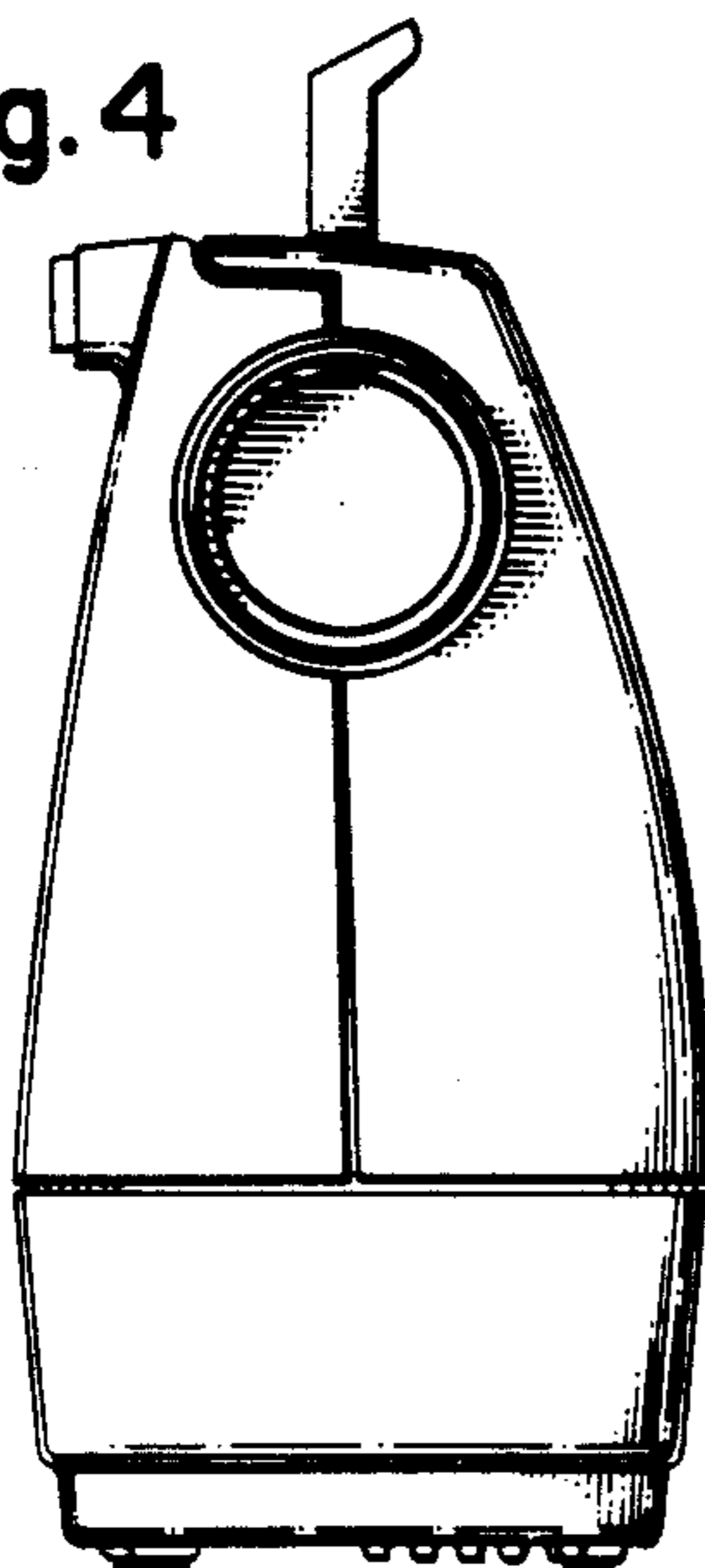
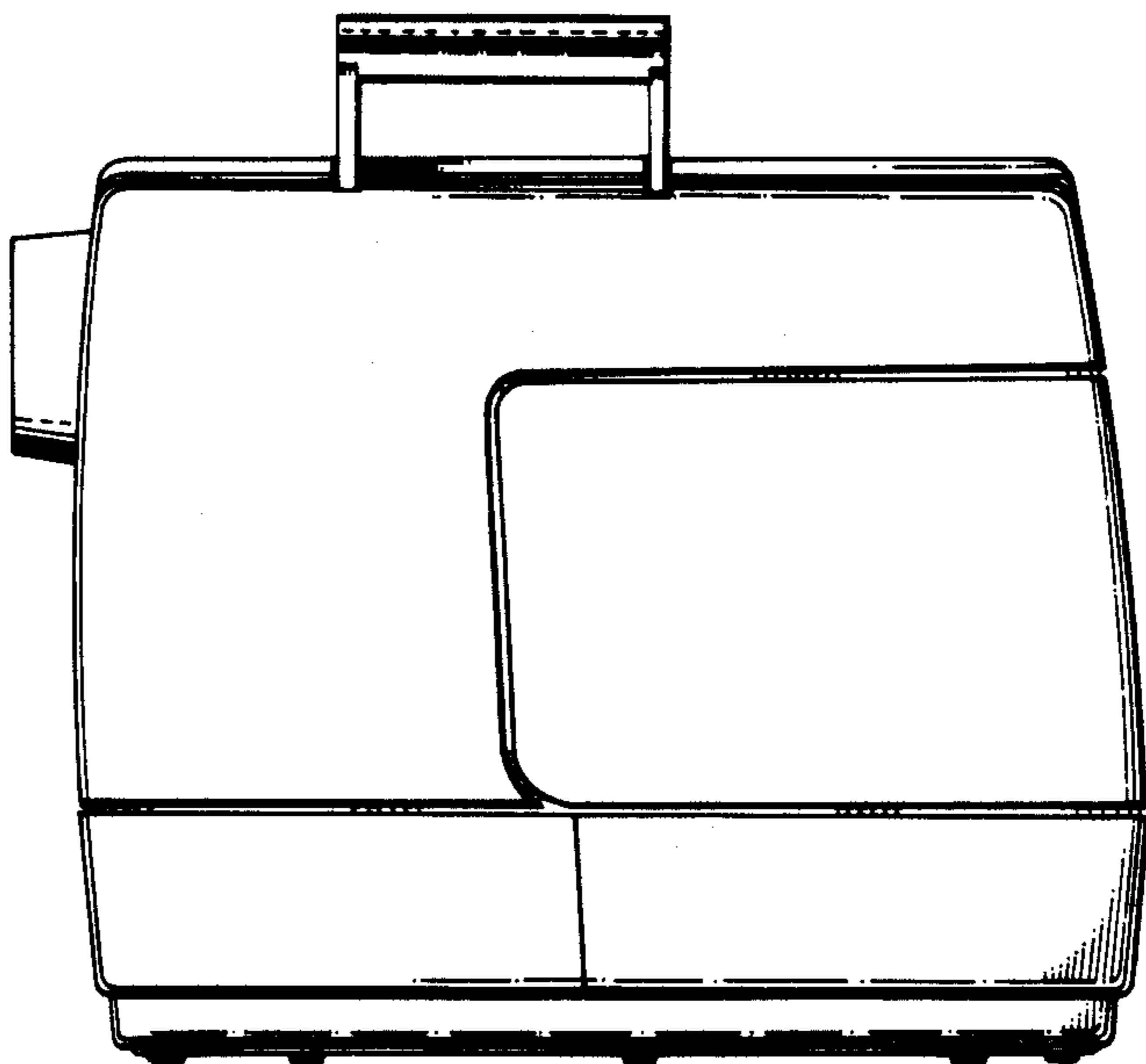


Fig. 5



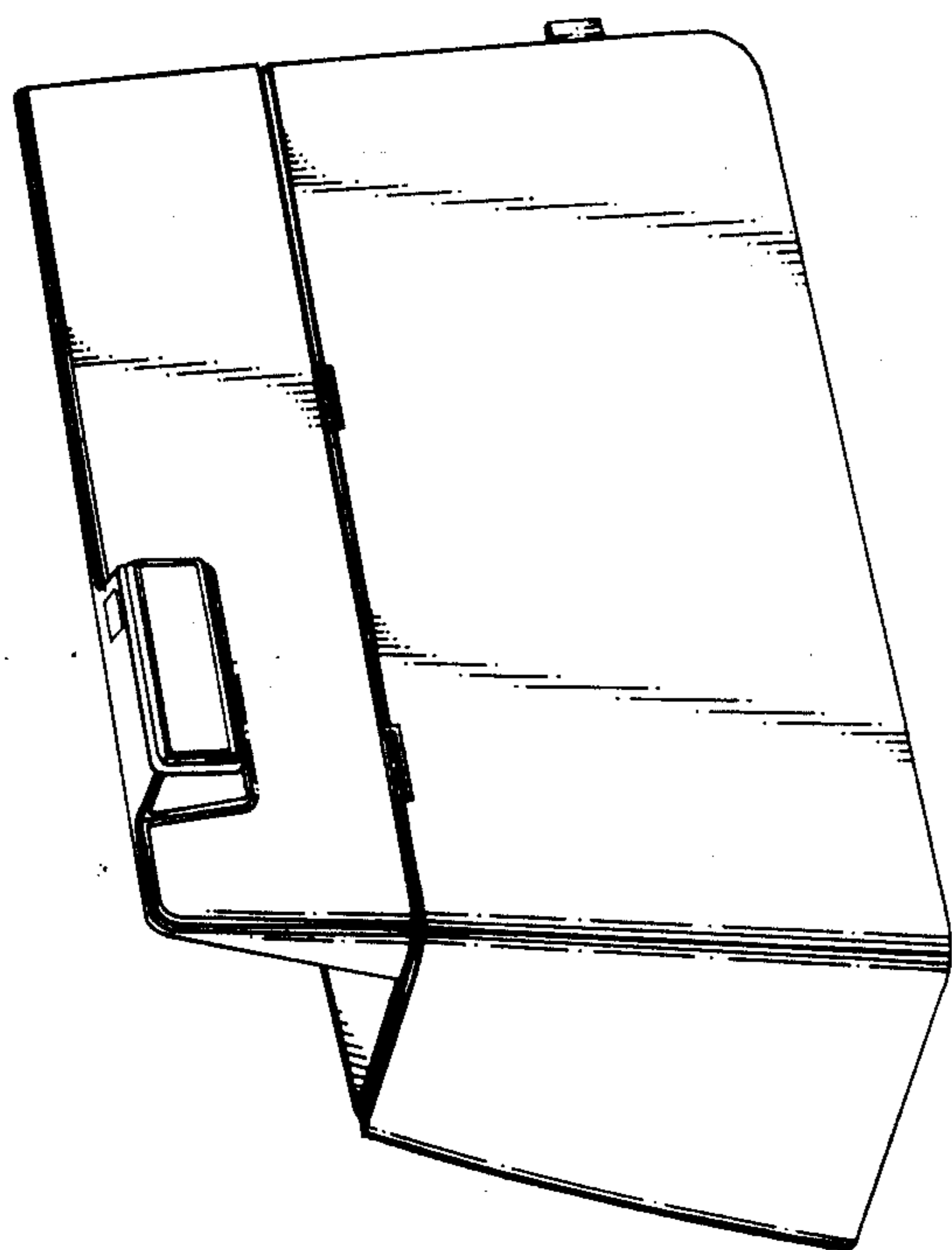


Fig. 6

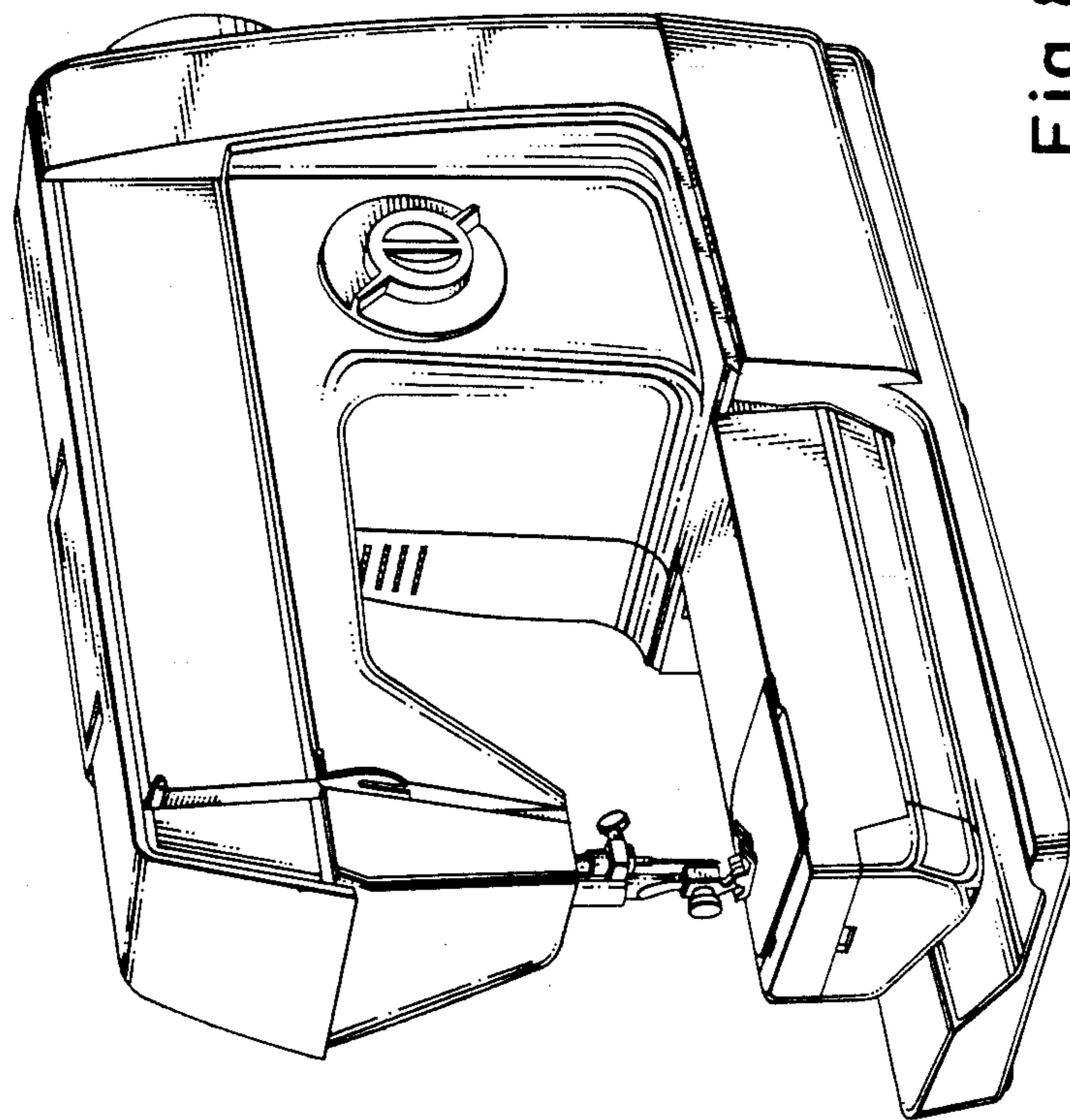


Fig. 8

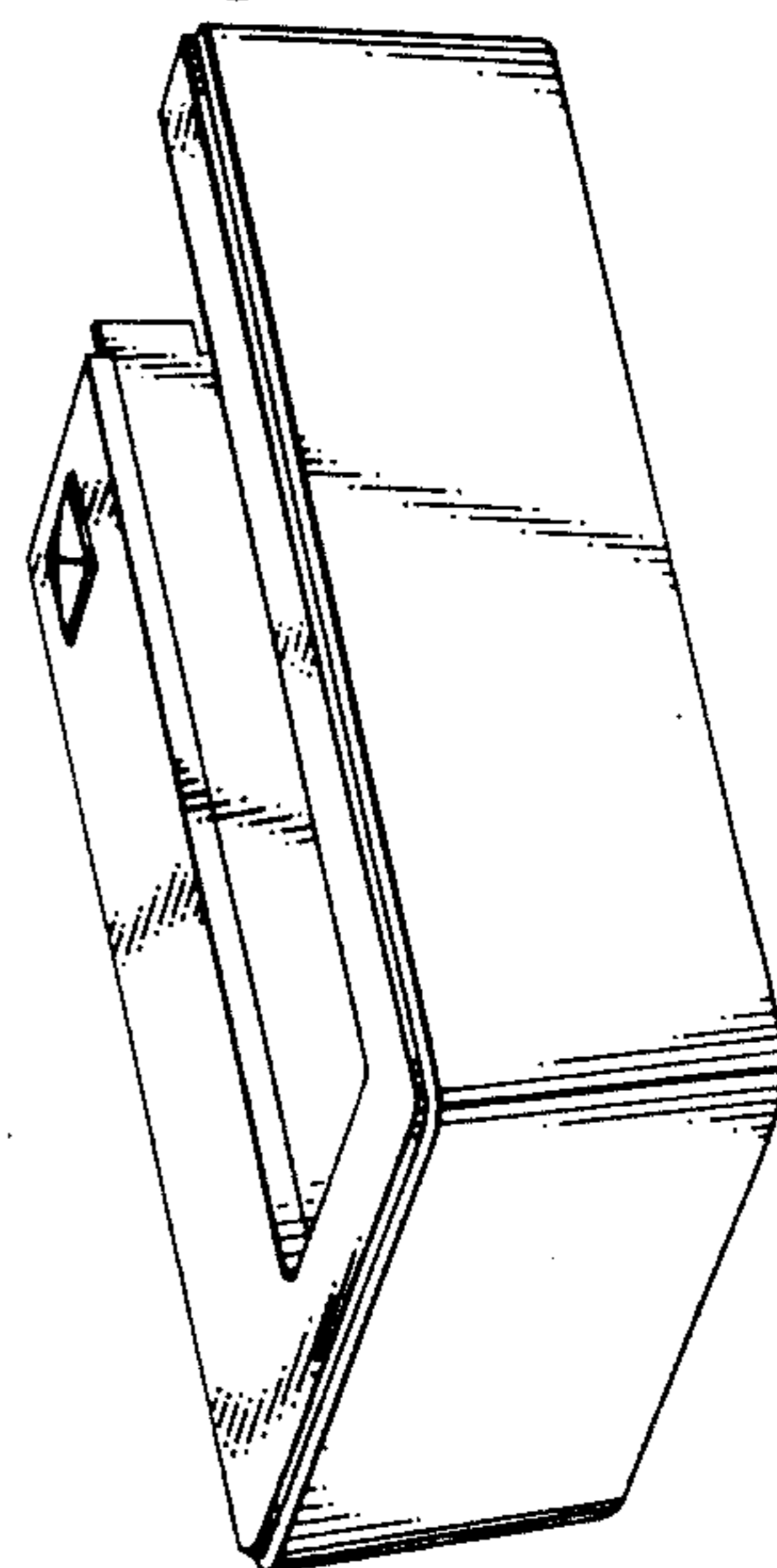


Fig. 7

Fig.9

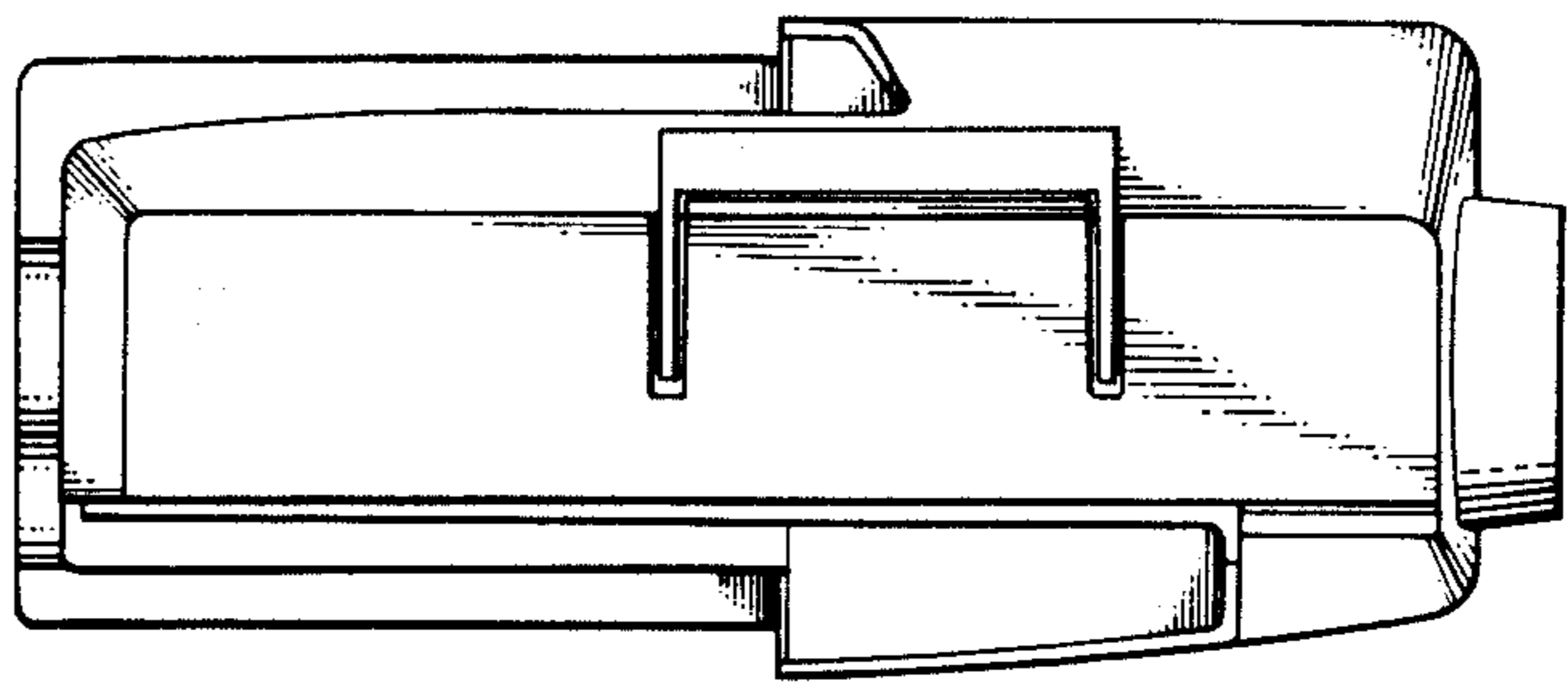


Fig.10

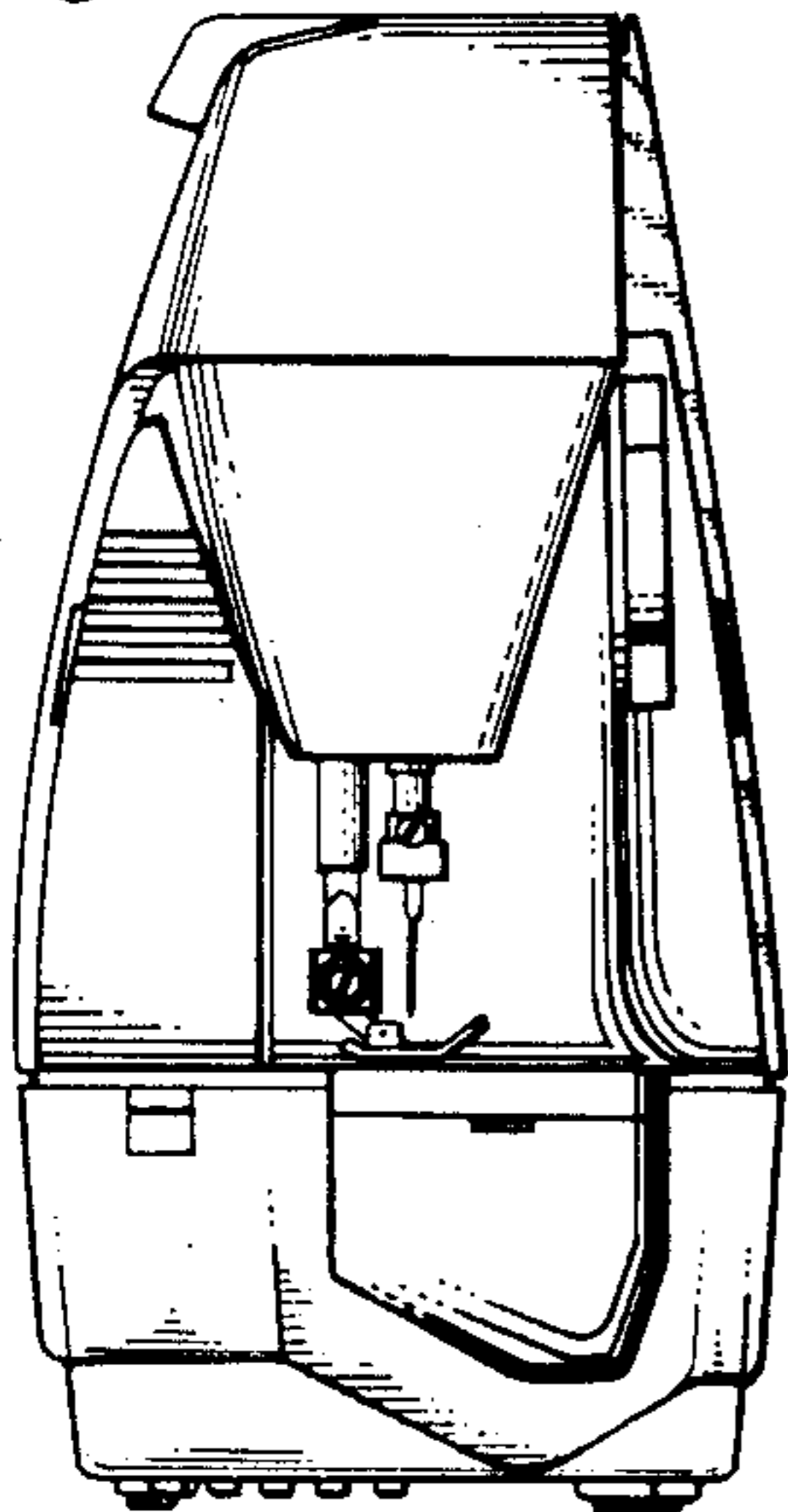


Fig.12

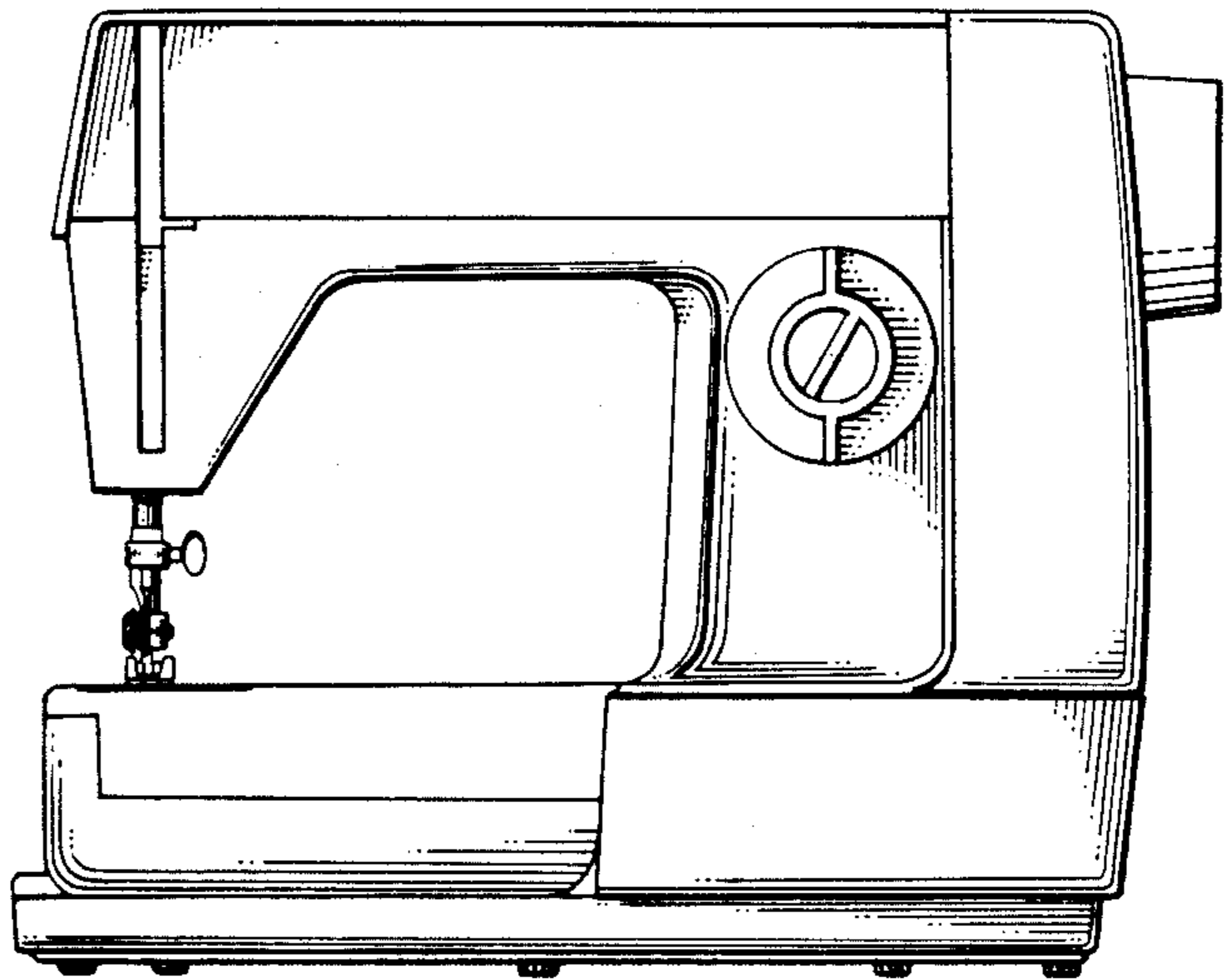


Fig.13

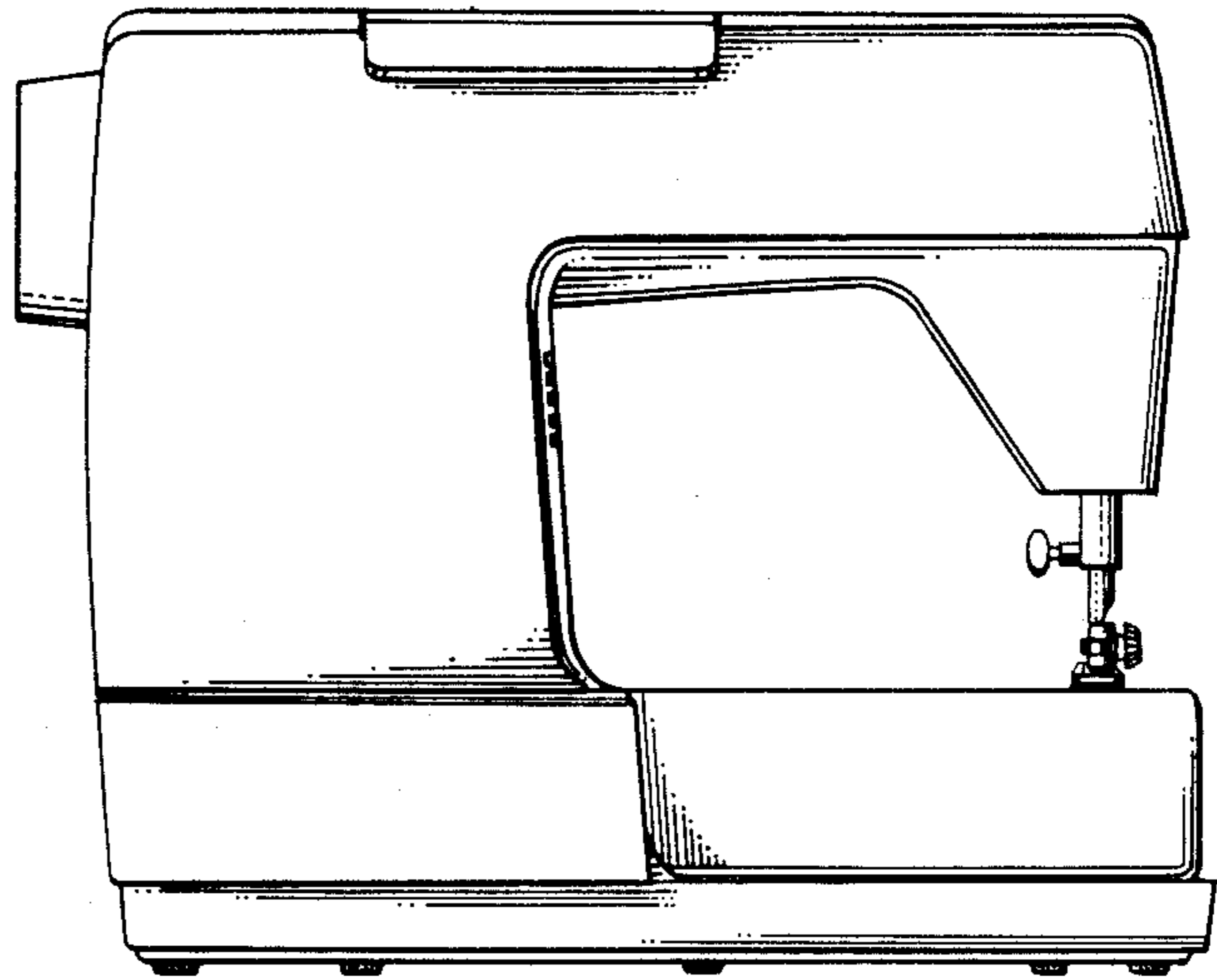


Fig.11

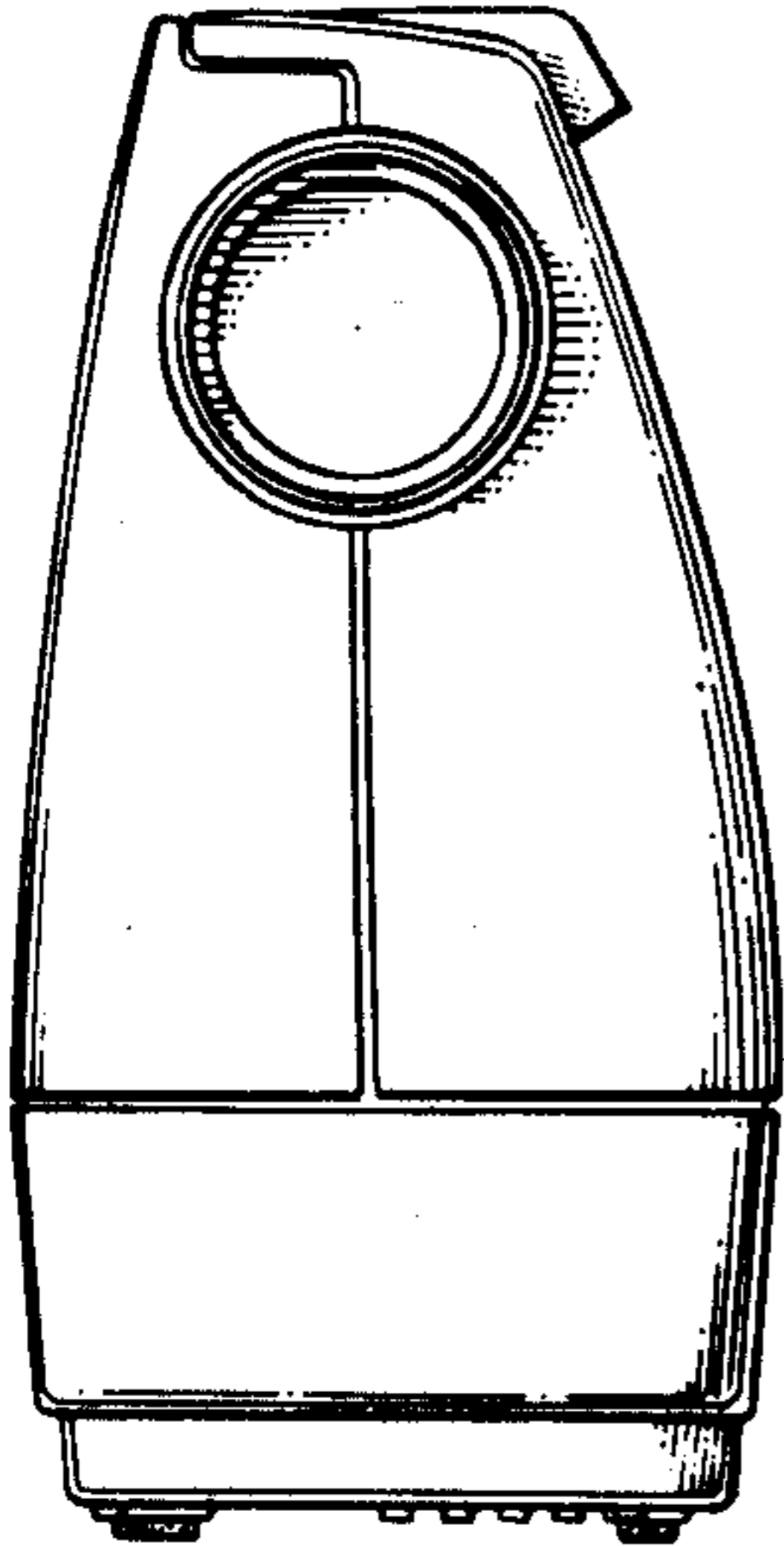
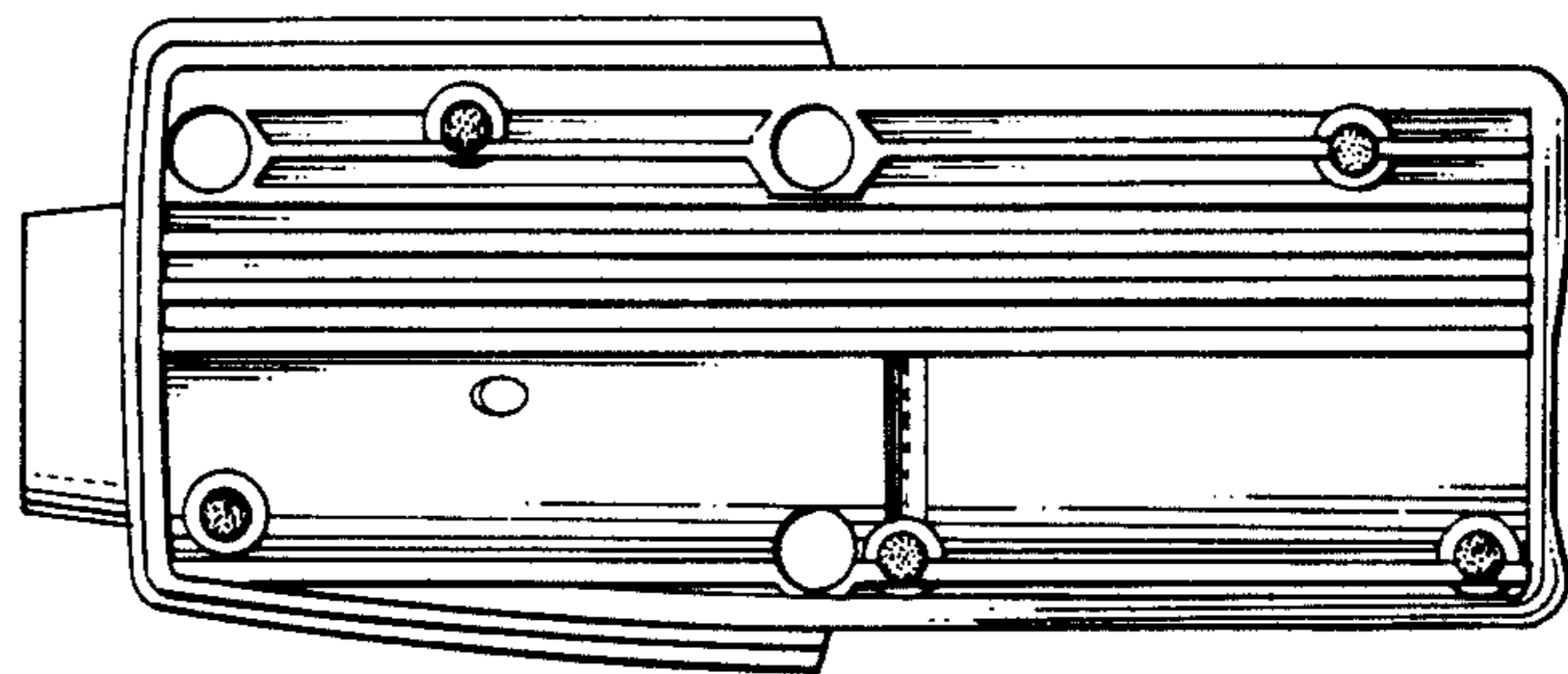


Fig.14



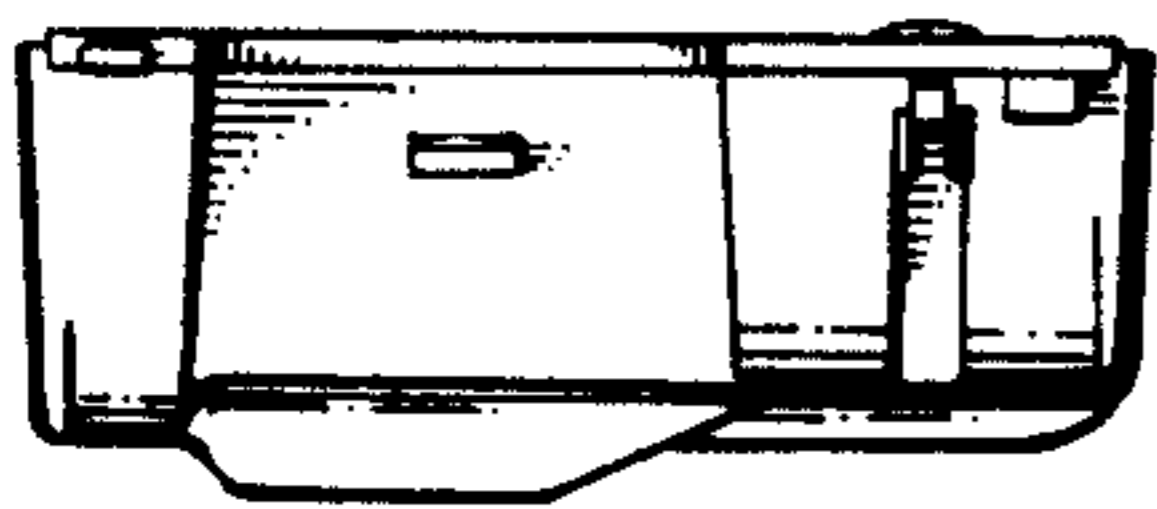


Fig. 16

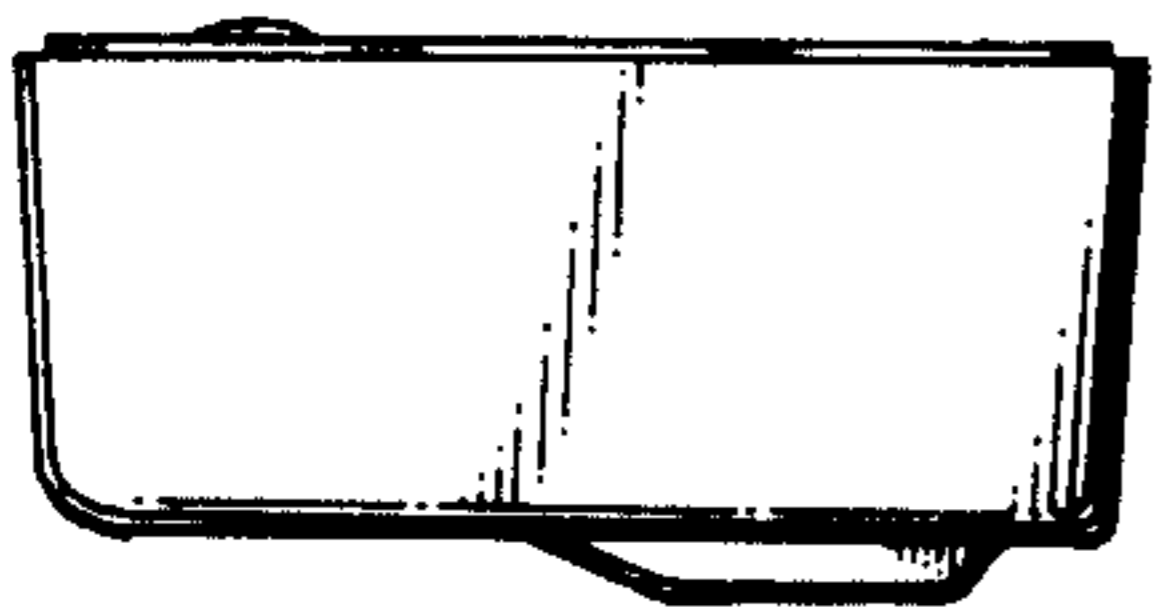


Fig. 18

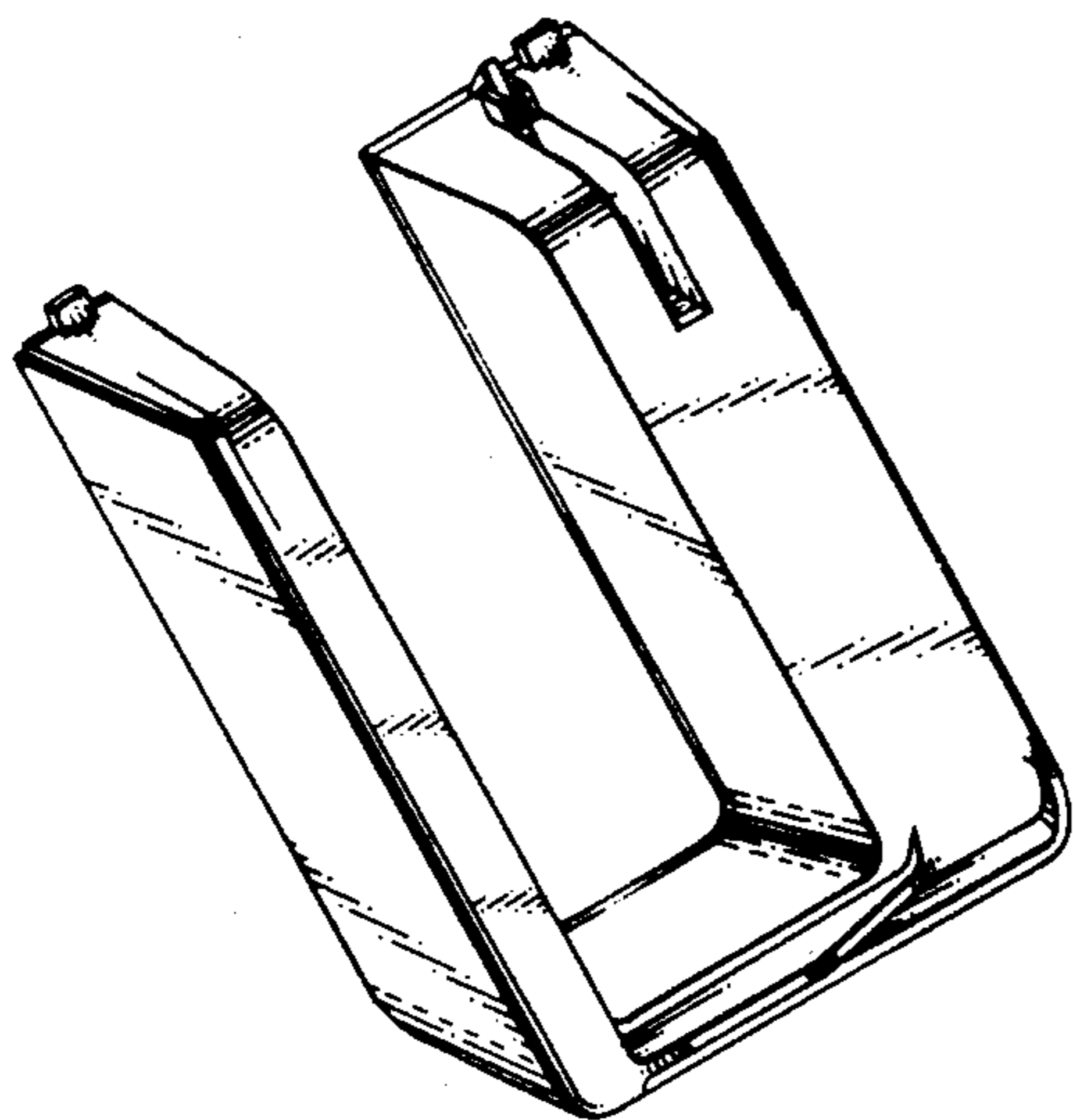


Fig. 21

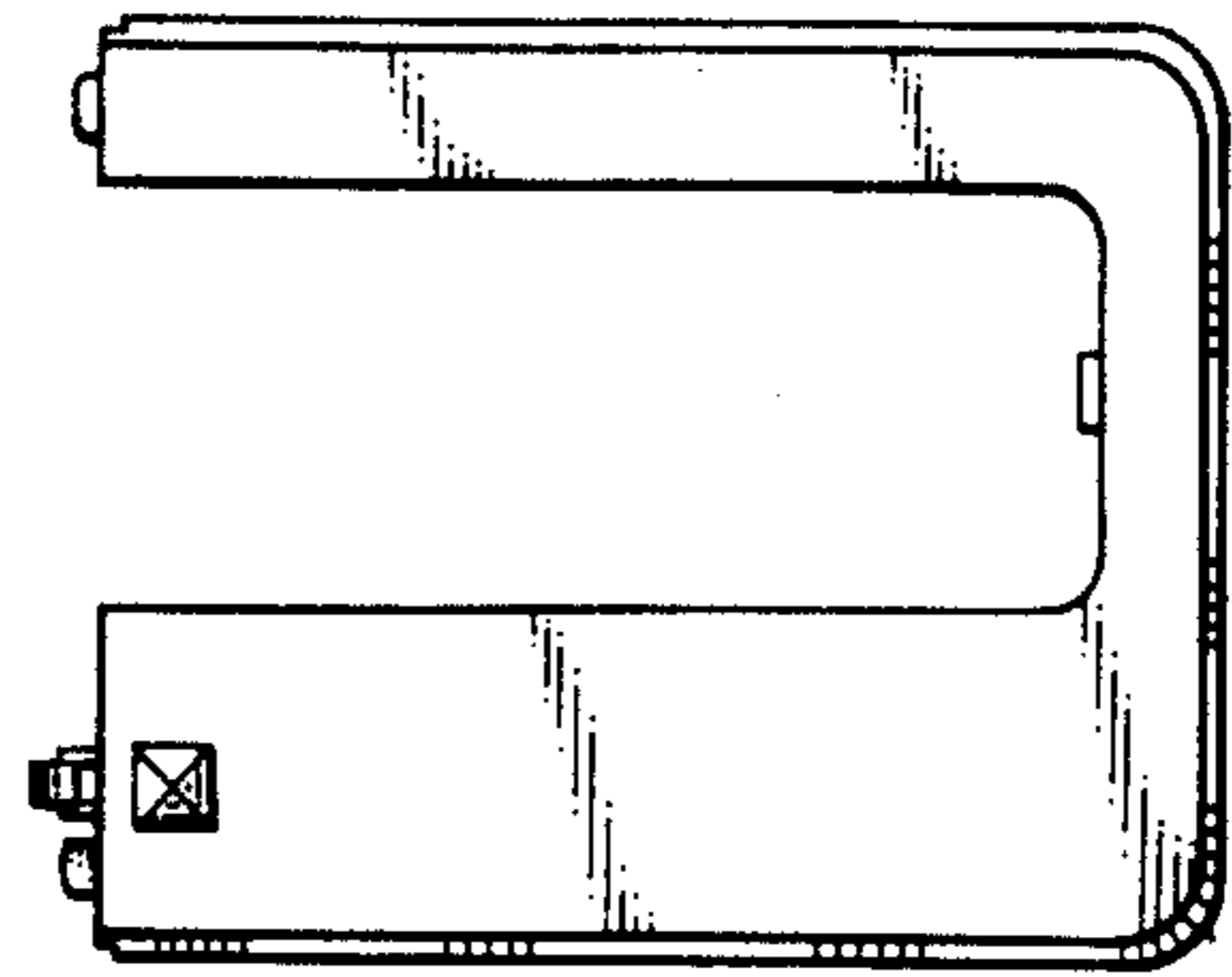


Fig. 15

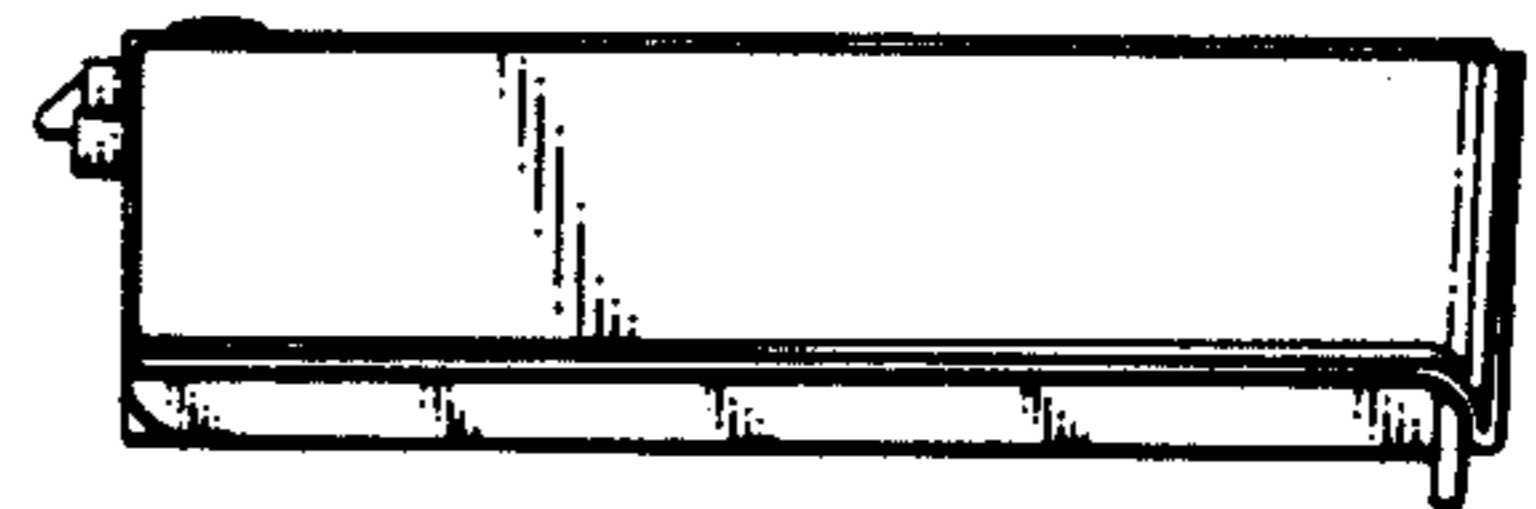


Fig. 17

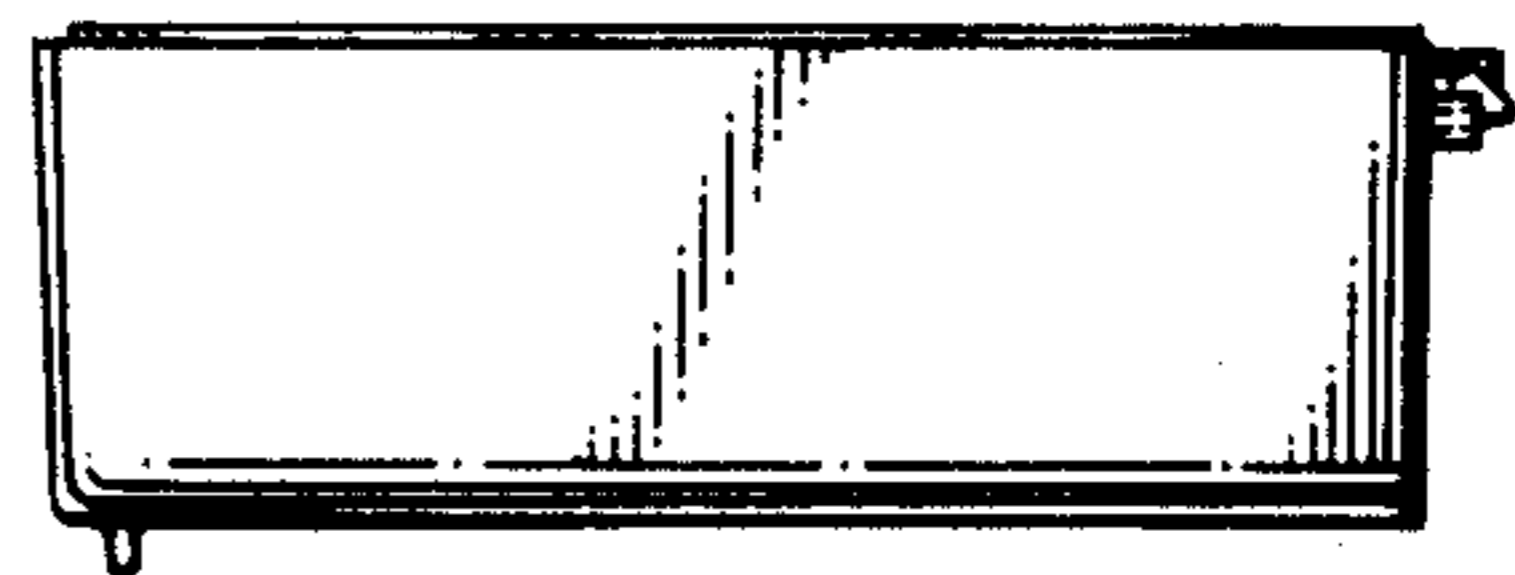


Fig. 19

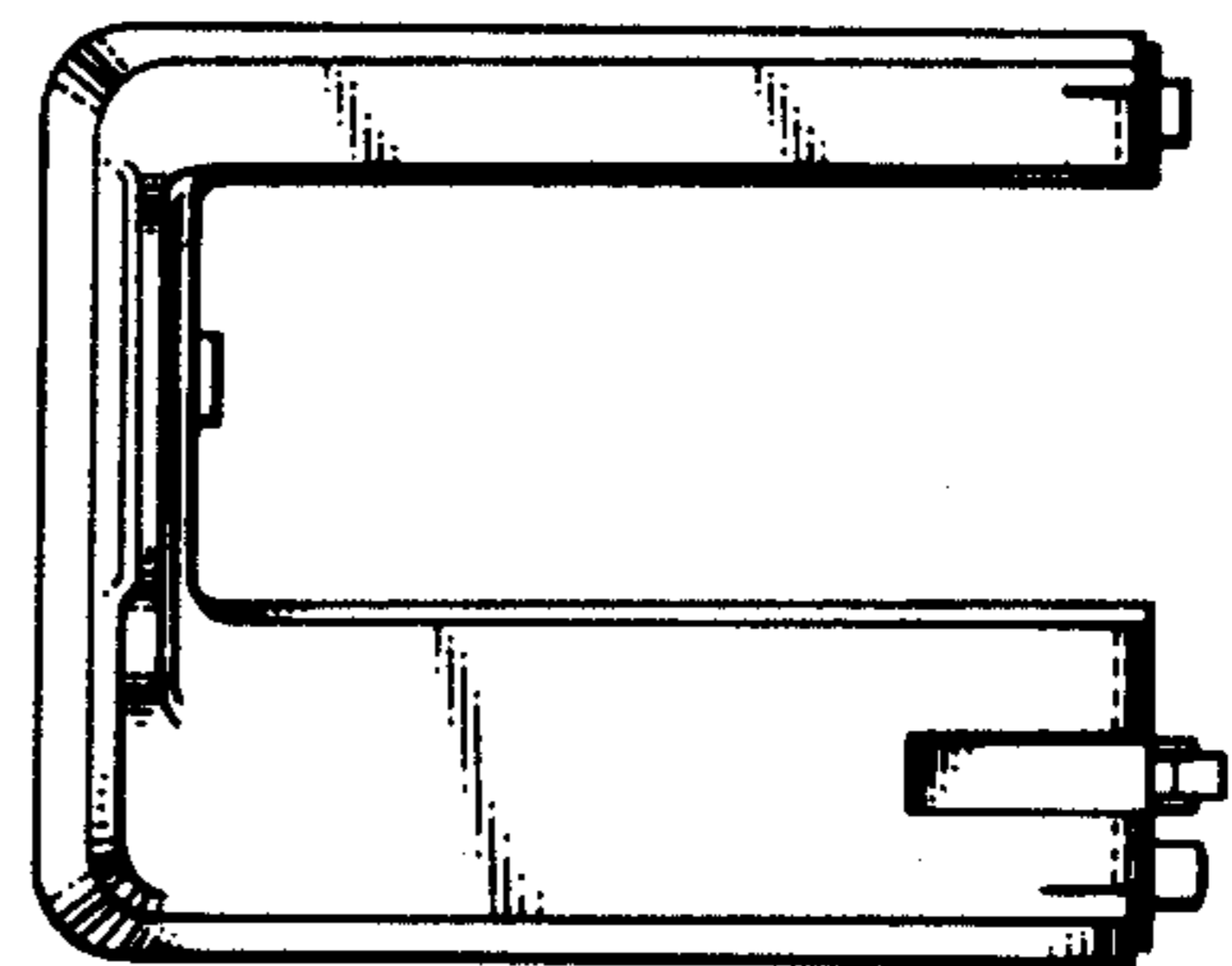


Fig. 20