

[54] SWITCH

[75] Inventor: Minoru Sano, Yokosuka, Japan

[73] Assignee: Fujisoku Electric Co., Ltd.,
Kawasaki, Japan

[**] Term: 14 Years

[21] Appl. No.: 928,008

[22] Filed: Jul. 25, 1978

[51] Int. Cl. D13-03

[52] U.S. Cl. D13/37

[58] Field of Search D13/32, 33, 34, 37;
200/5 R, 5 A, 5 D, 5 E, 5 F, 6 R, 6 A, 6 BB, 17
R, 153 G, 155 R, 159 R, 293, 299, 302, 303

[56] References Cited

U.S. PATENT DOCUMENTS

2,969,442 1/1961 Benander et al. 200/6 BB X

FOREIGN PATENT DOCUMENTS

47-354029 8/1972 Japan D13/37

48-366406 12/1973 Japan D13/37

48-376842 12/1973 Japan D13/37

Primary Examiner—Susan J. Lucas

Attorney, Agent, or Firm—Frishauf, Holtz, Goodman
and Woodward

[57] CLAIM

The ornamental design for a switch, as shown and described.

DESCRIPTION

FIG. 1 is a front elevational view of a switch showing my design, the rear elevational view being a mirror image thereof;

FIG. 2 is a right side elevational view thereof;

FIG. 3 is a left side elevational view thereof;

FIG. 4 is a top plan view thereof;

FIG. 5 is a bottom plan view thereof;

FIG. 6 is a front elevational view of a modified embodiment of the switch shown in FIG. 1, the rear elevational view being a mirror image thereof;

FIG. 7 is a right side elevational view thereof;

FIG. 8 is a left side elevational view thereof;

FIG. 9 is a top plan view thereof;

FIG. 10 is a bottom plan view thereof;

FIG. 11 is a front elevational view of a second modified embodiment of the switch shown in FIG. 1, the rear elevational view being a mirror image thereof;

FIG. 12 is a right side elevational view thereof;

FIG. 13 is a left side elevational view thereof;

FIG. 14 is a top plan view thereof;

FIG. 15 is a bottom plan view thereof;

FIG. 16 is a front elevational view of a modified embodiment of the switch shown in FIG. 11, the rear elevational view being a mirror image thereof;

FIG. 17 is a right side elevational view thereof;

FIG. 18 is a left side elevational view thereof;

FIG. 19 is a top plan view thereof; and

FIG. 20 is a bottom plan view thereof.

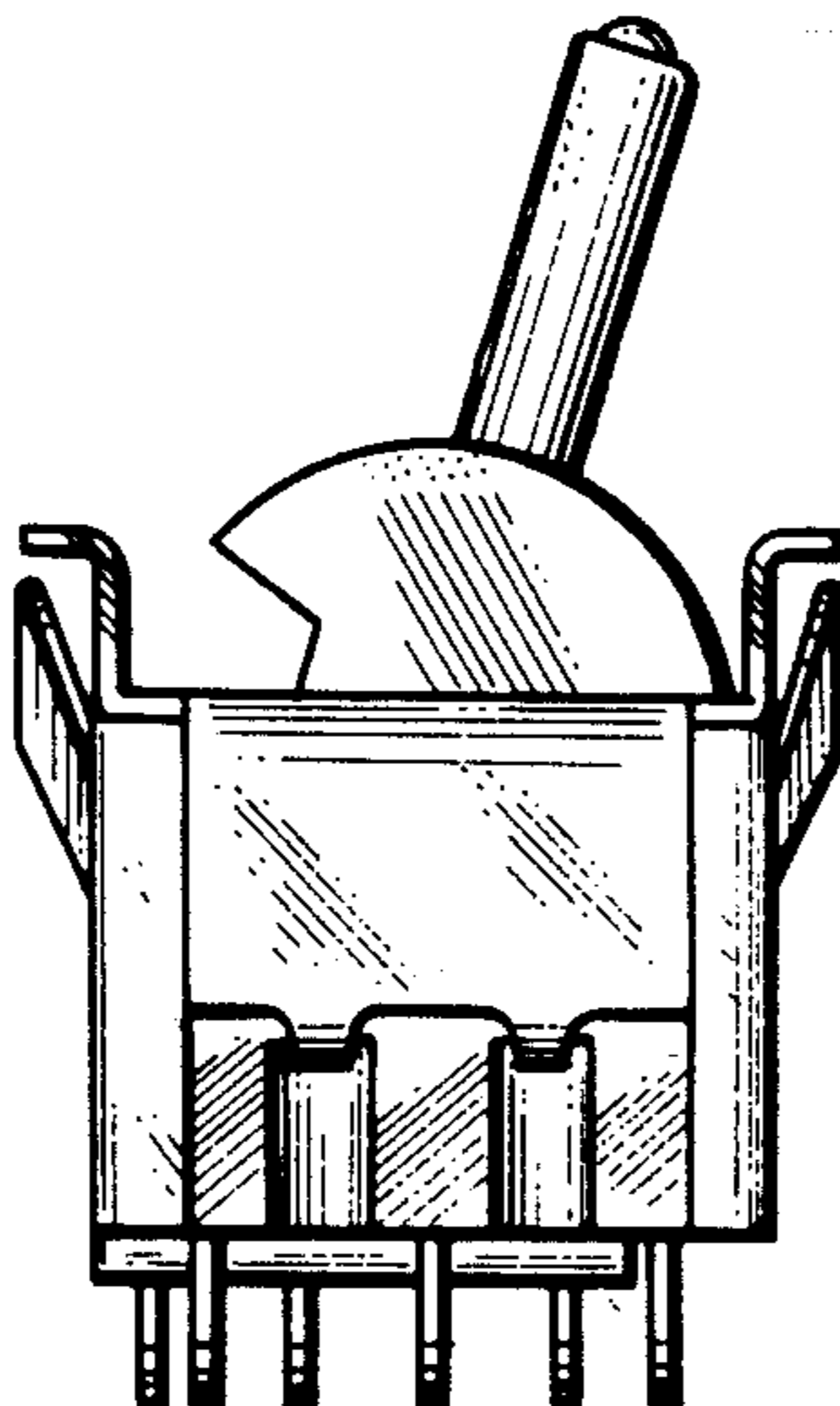


FIG. 1

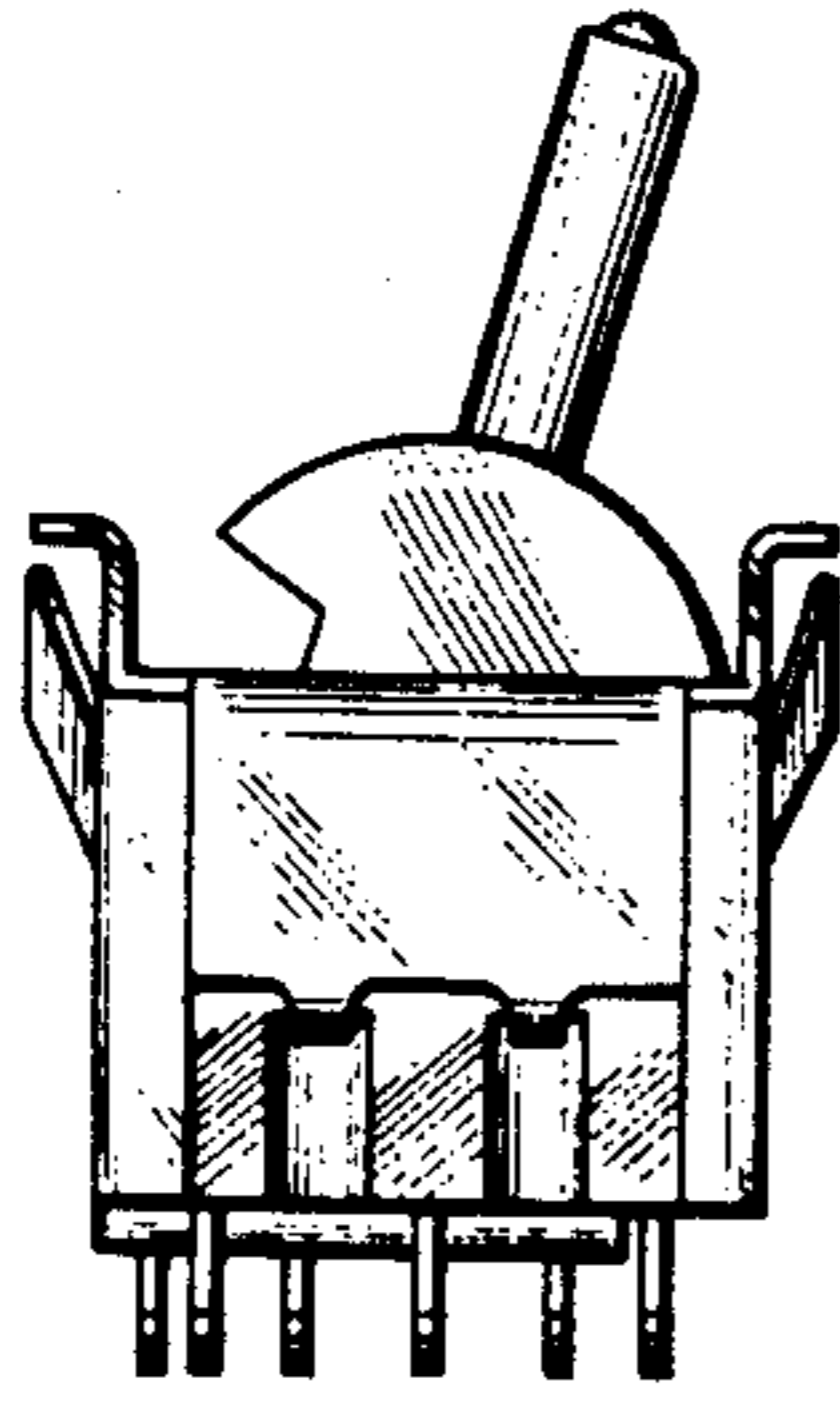


FIG. 2

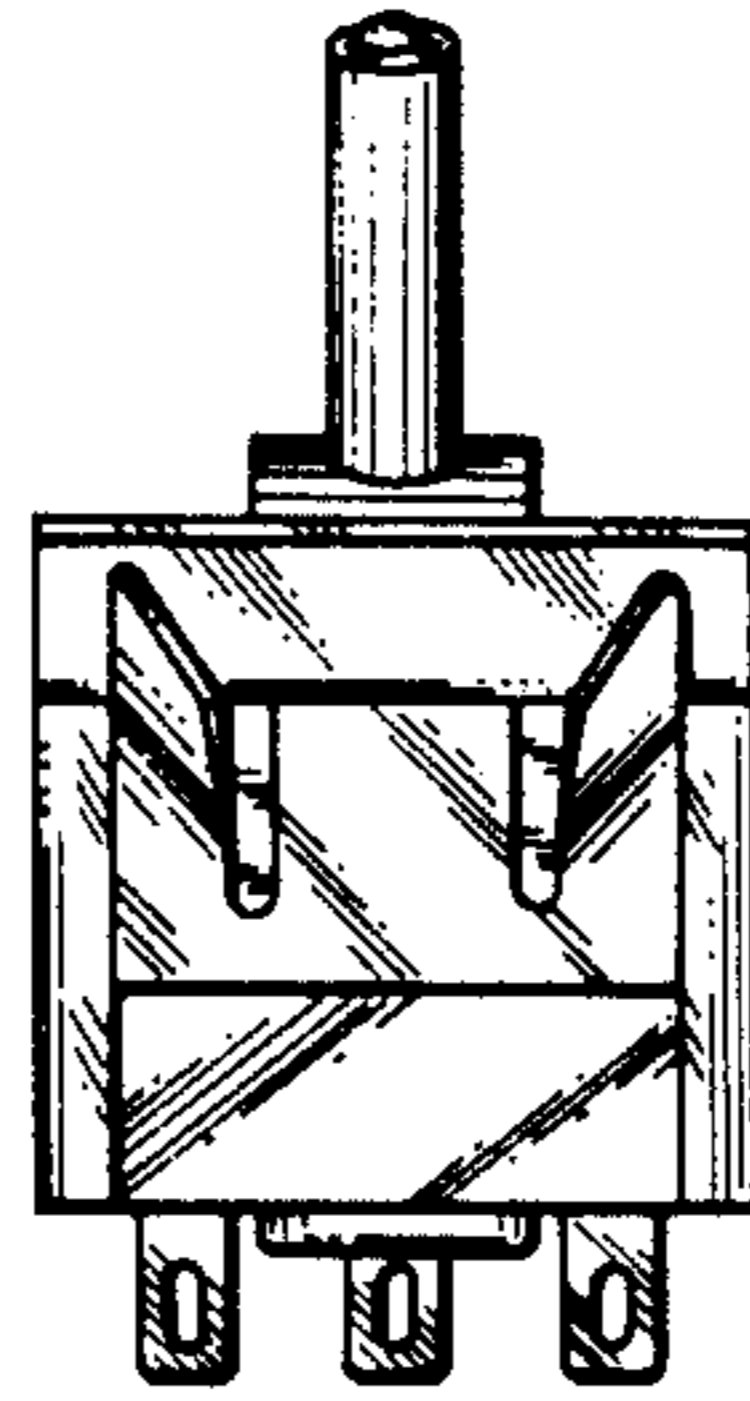


FIG. 3

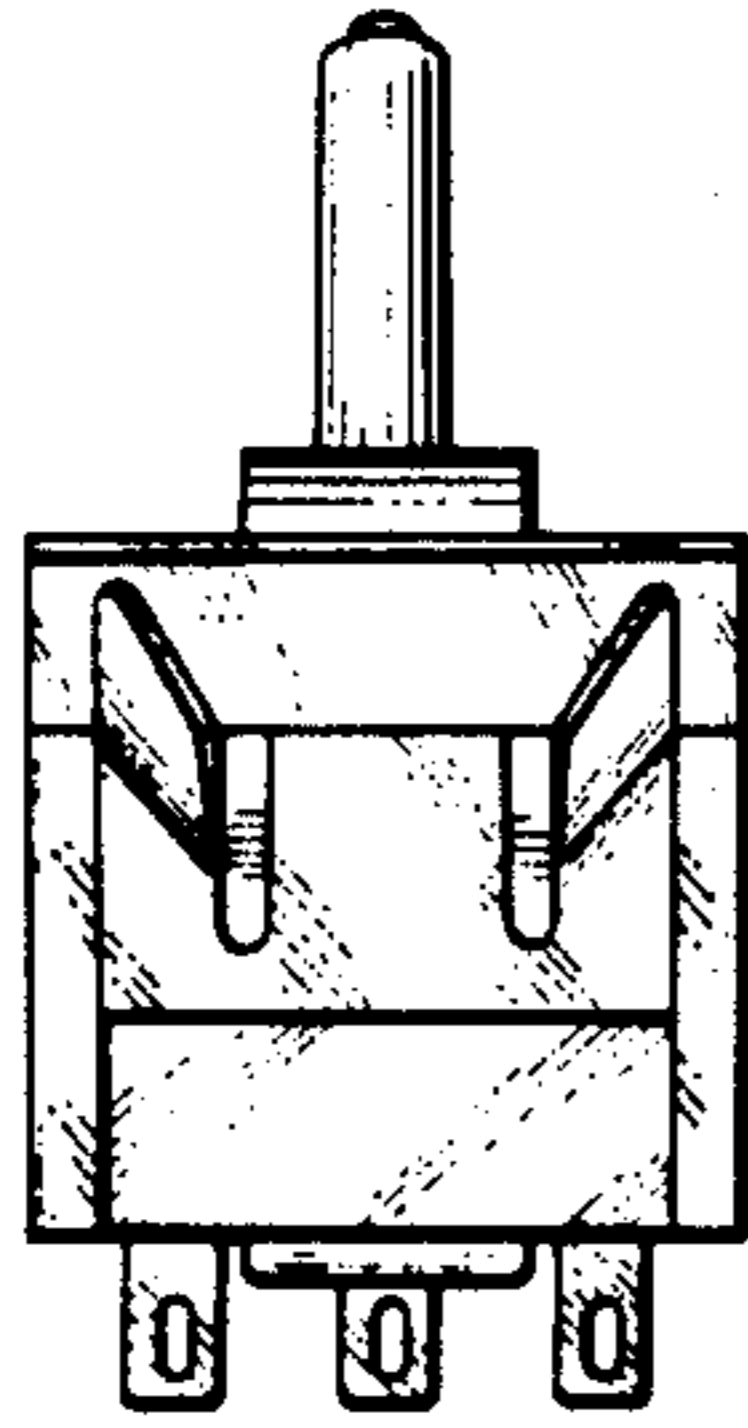


FIG. 4

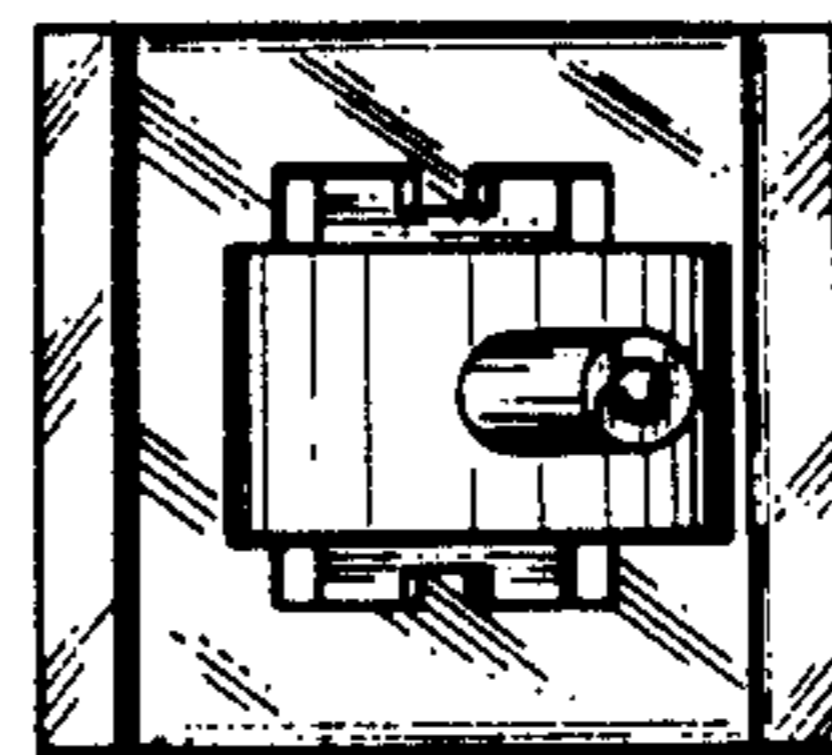


FIG. 5

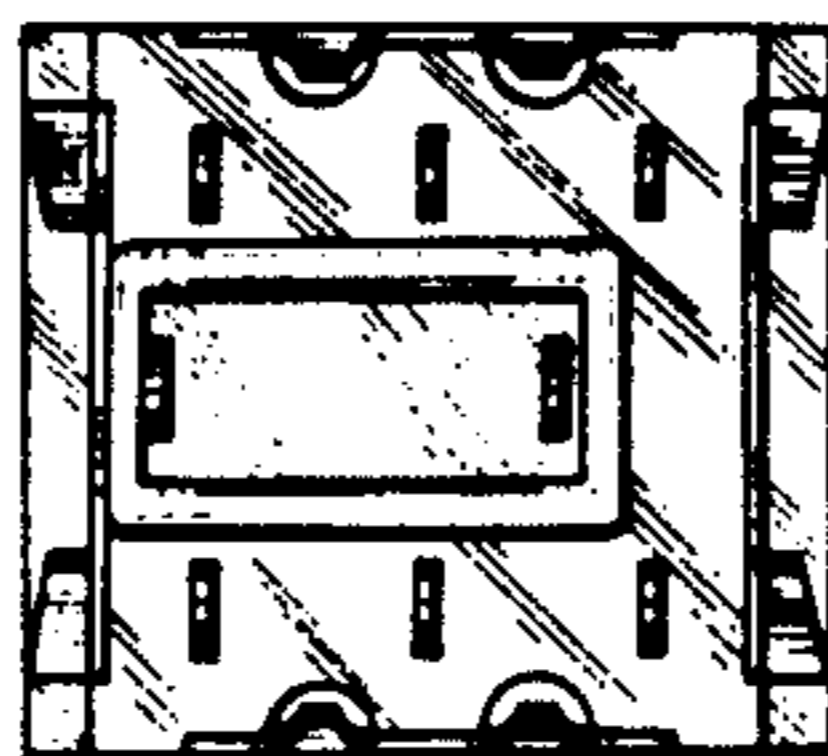


FIG. 6

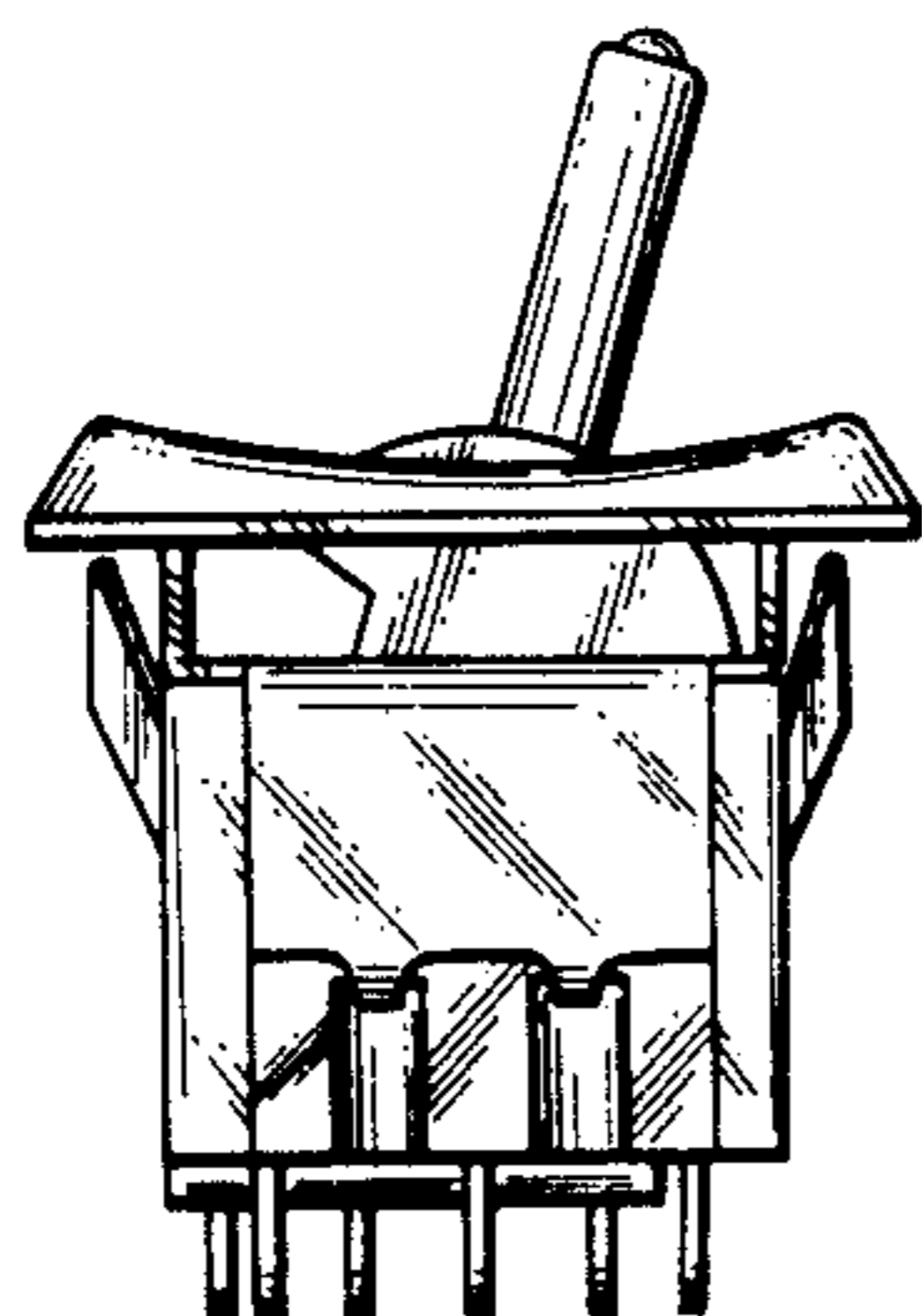


FIG. 7

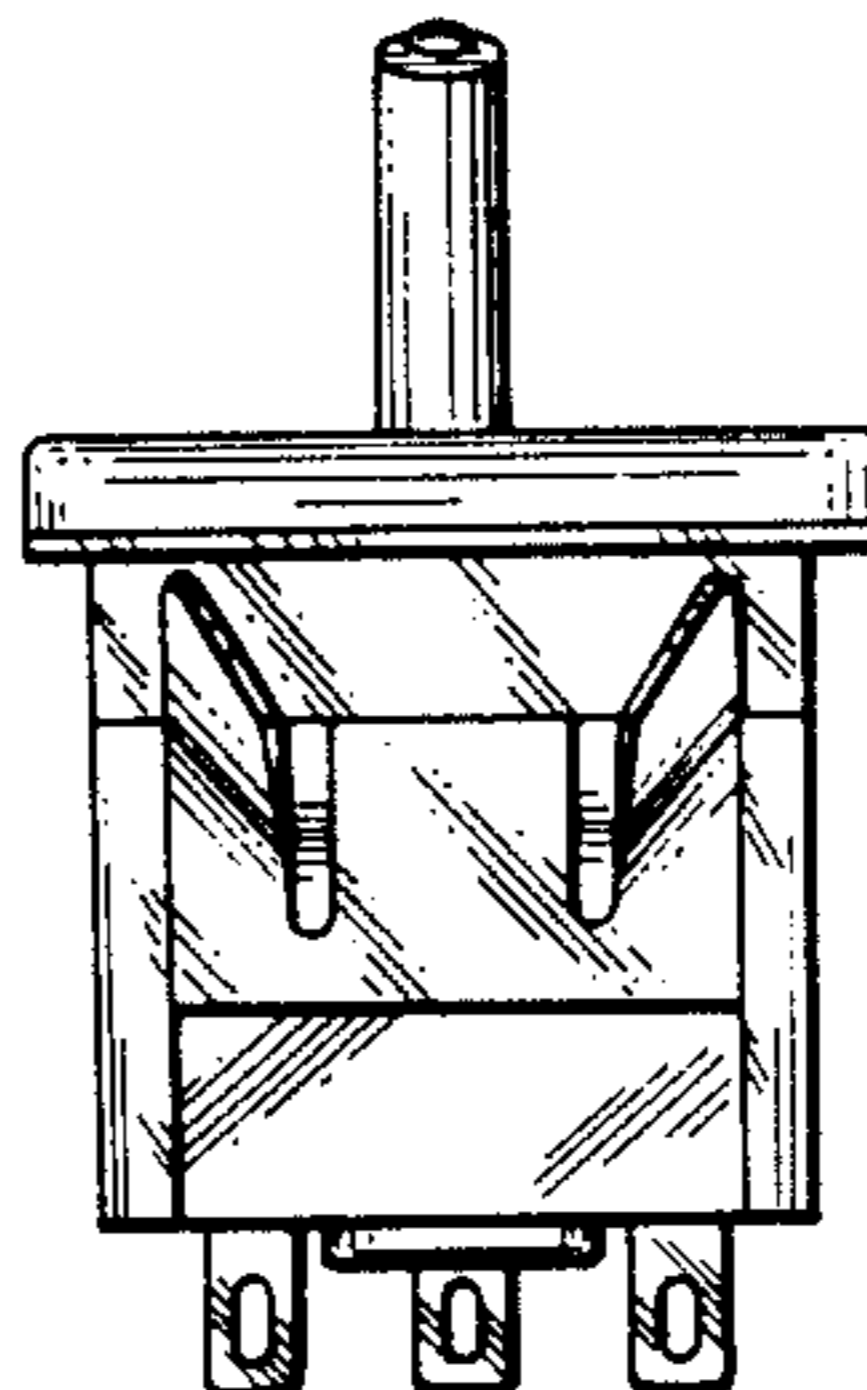


FIG. 8

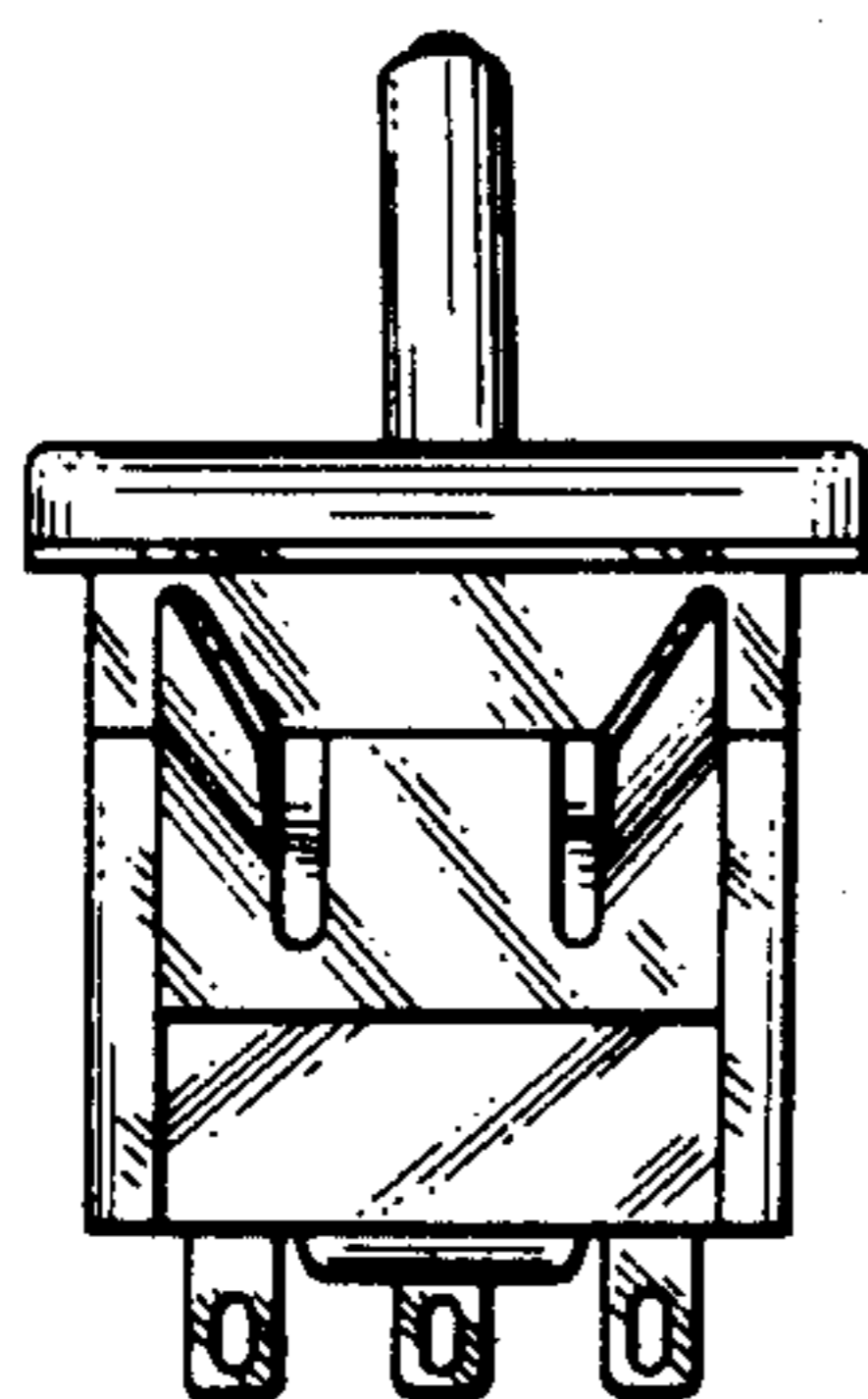


FIG. 9

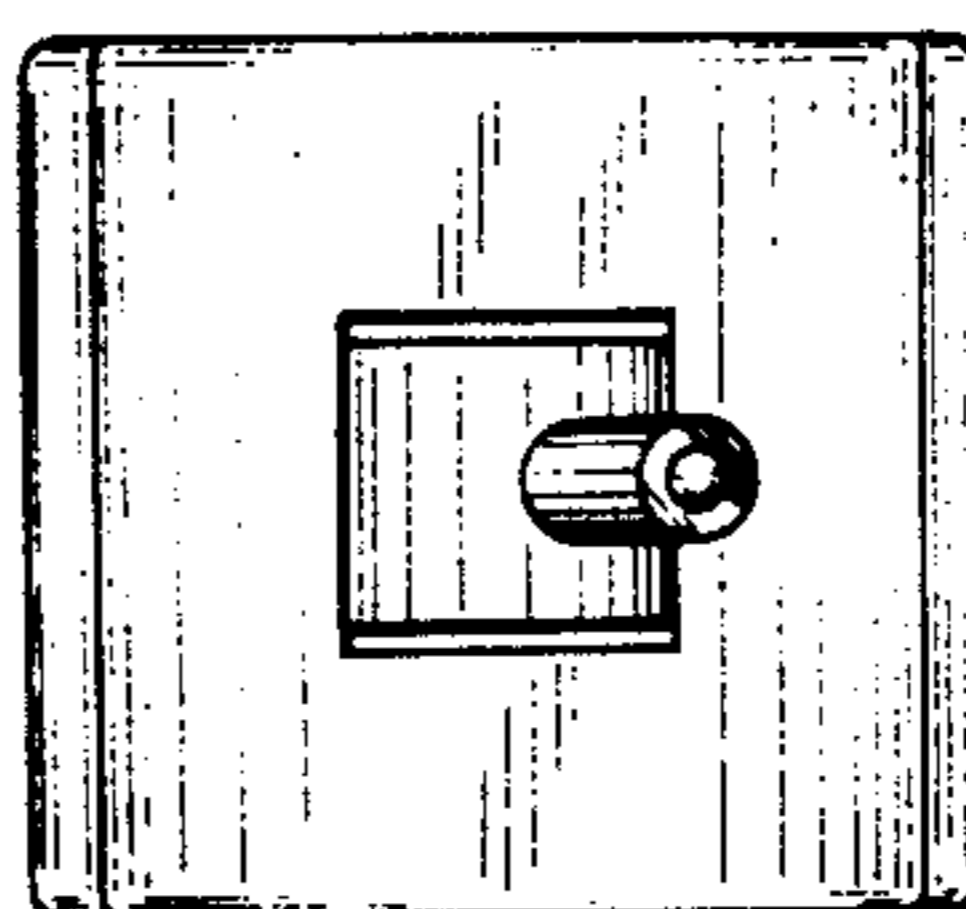


FIG. 10

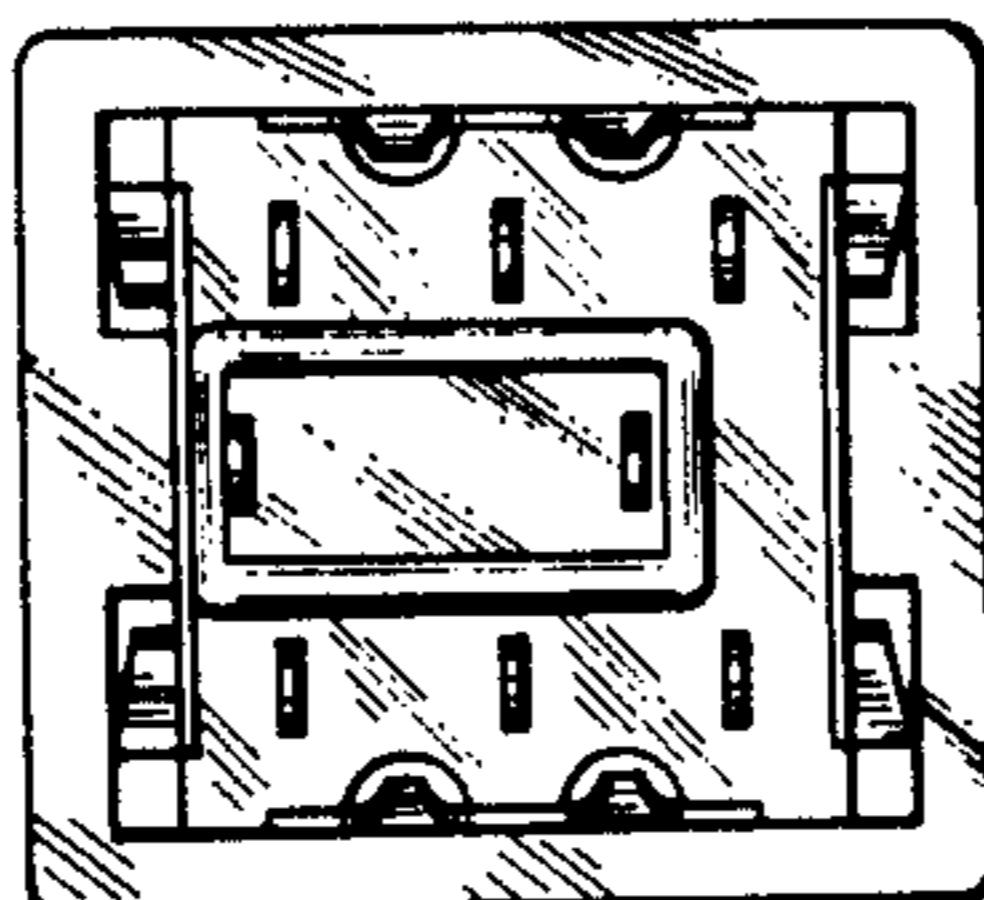


FIG. 11

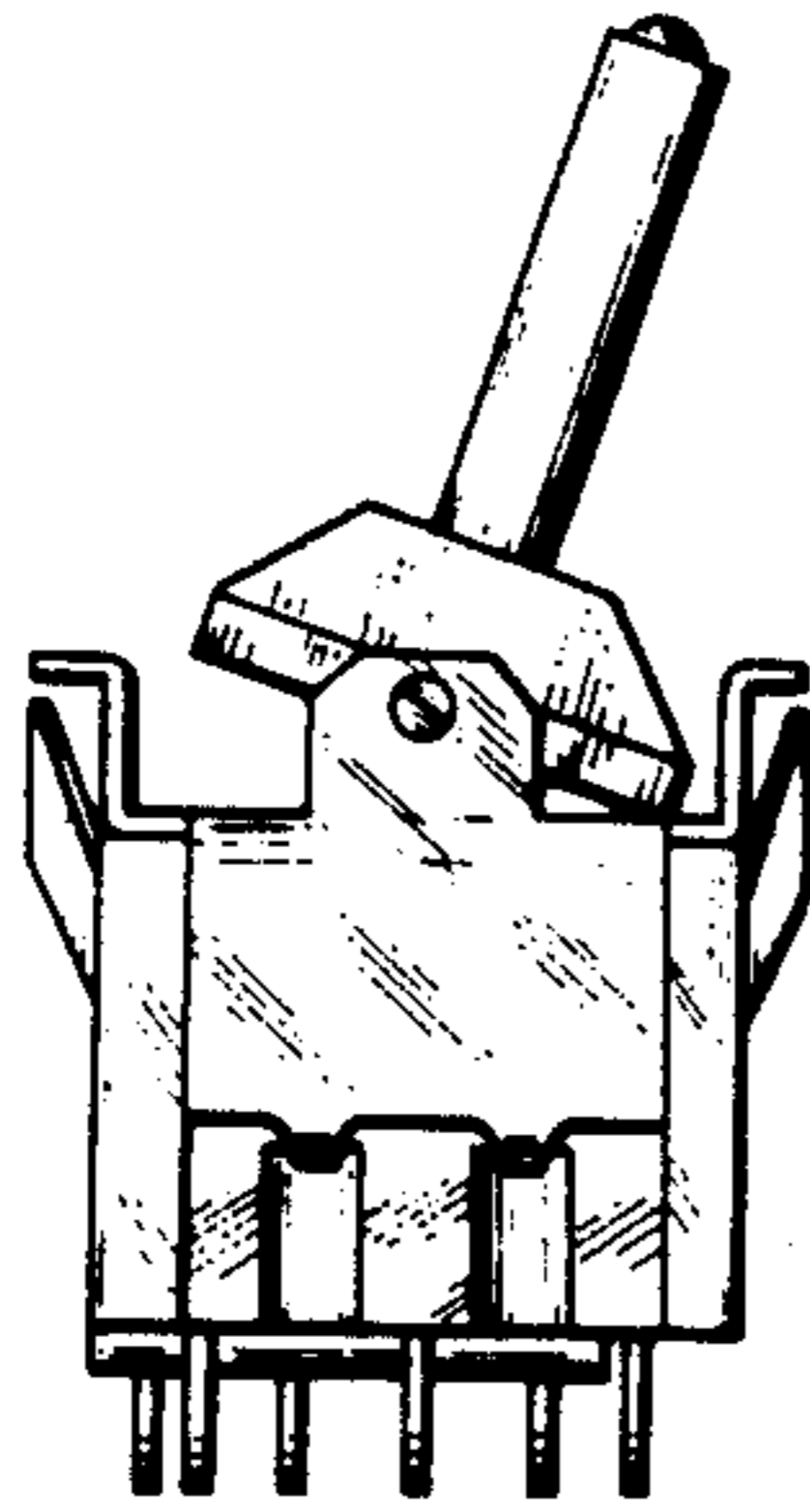


FIG. 12

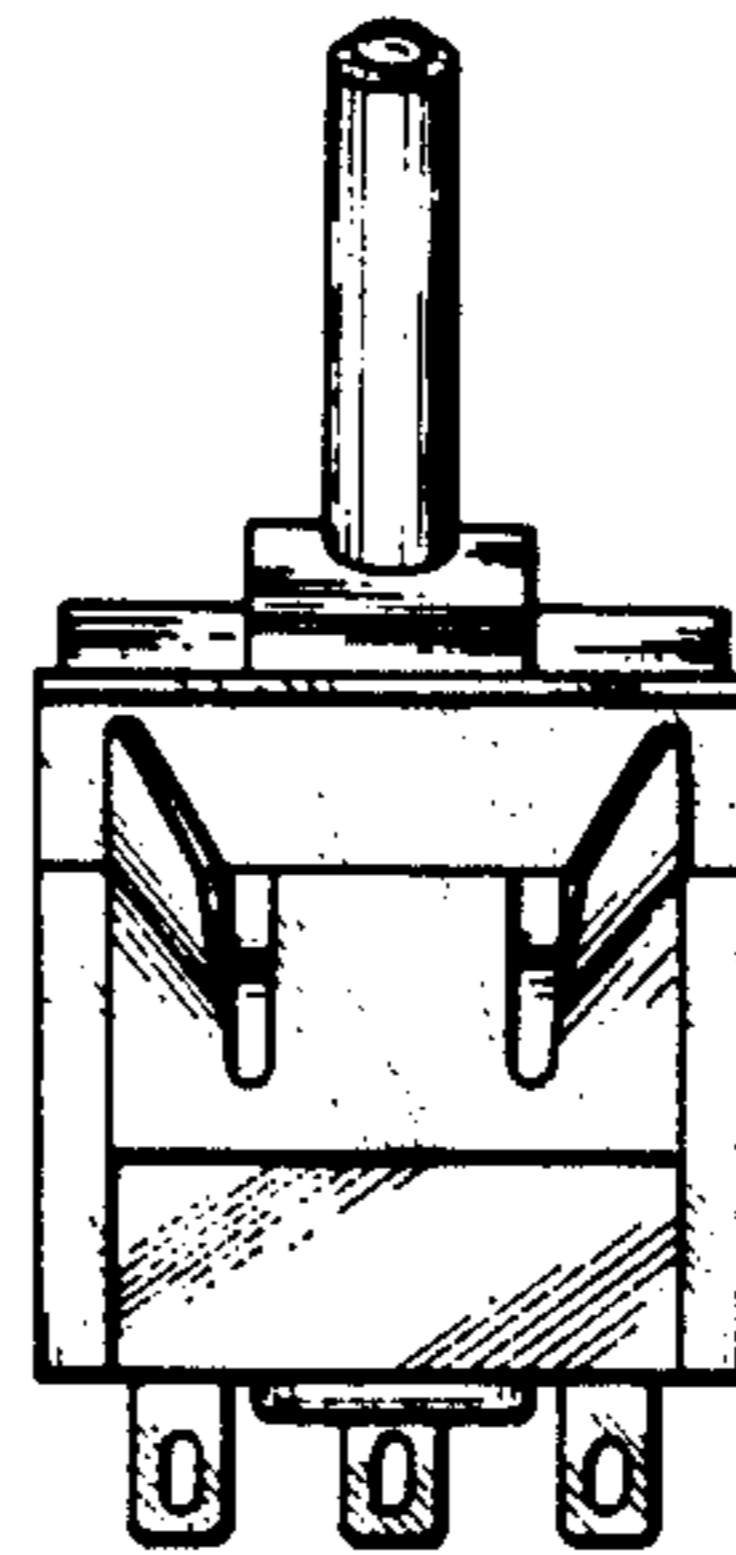


FIG. 13

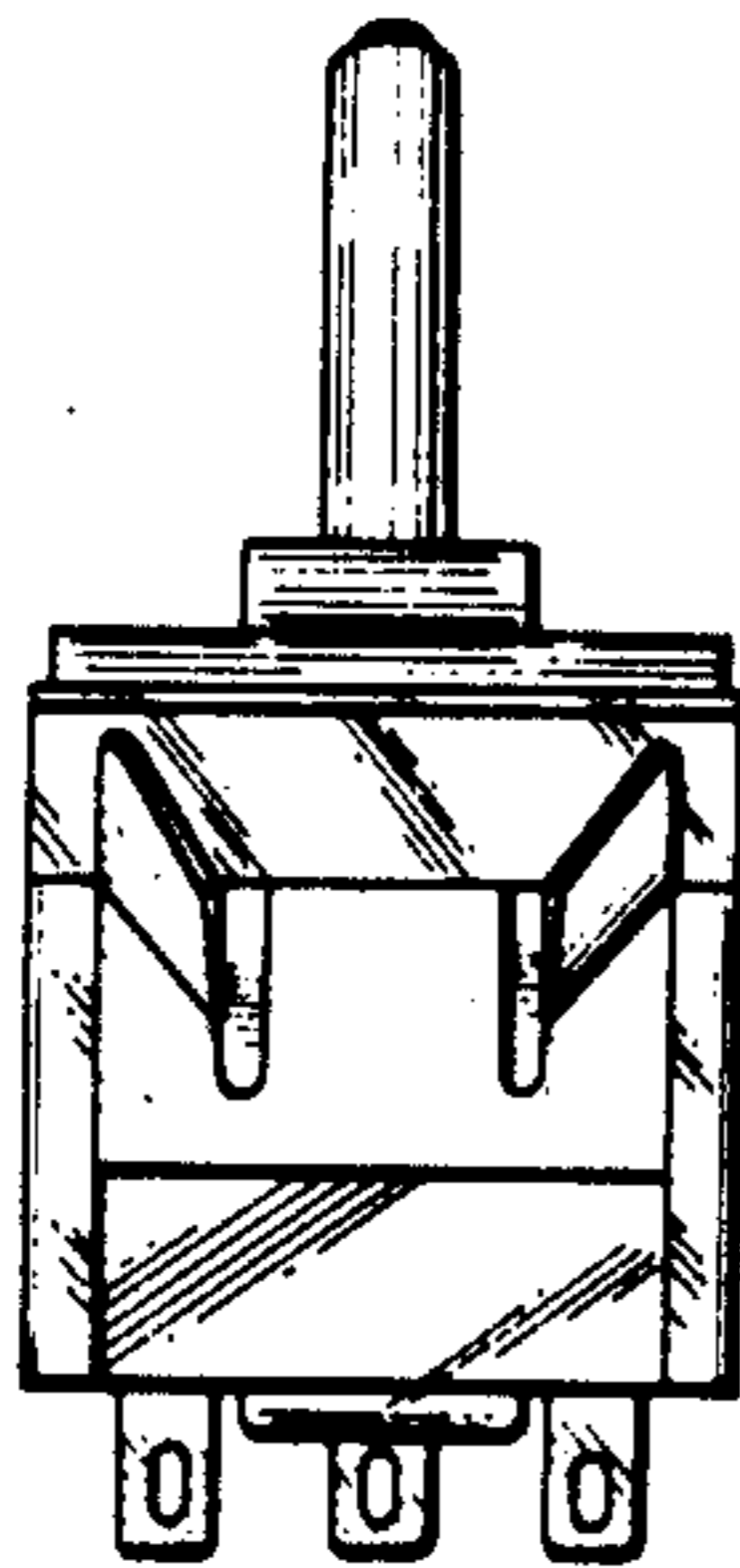


FIG. 14

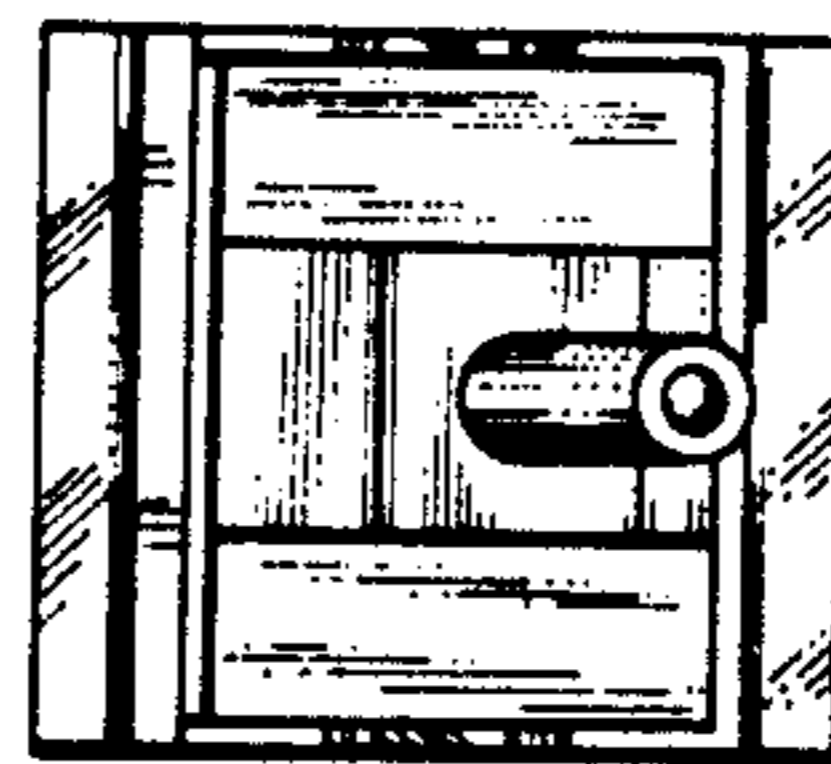


FIG. 15

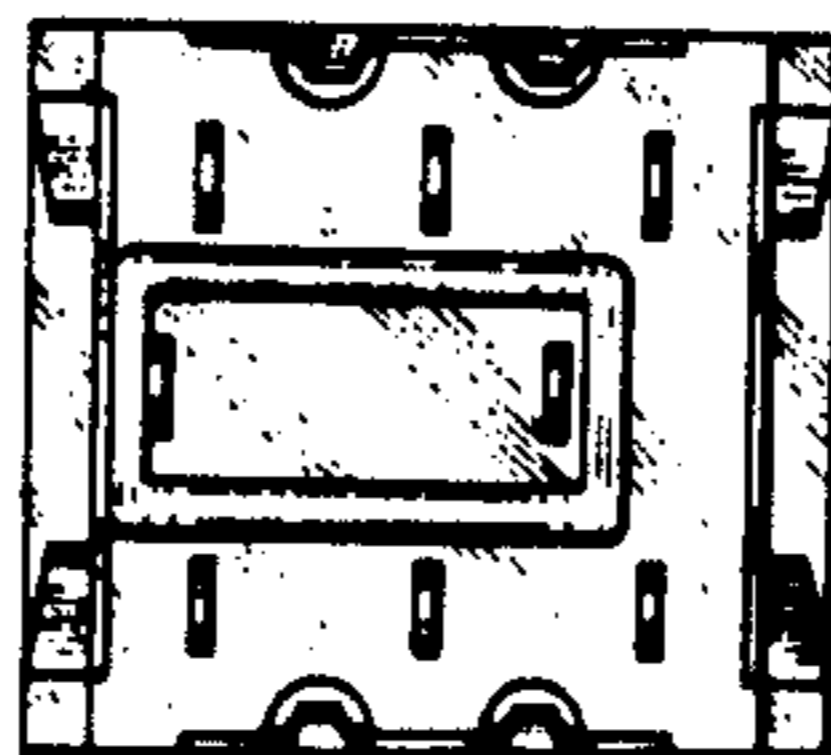


FIG.16

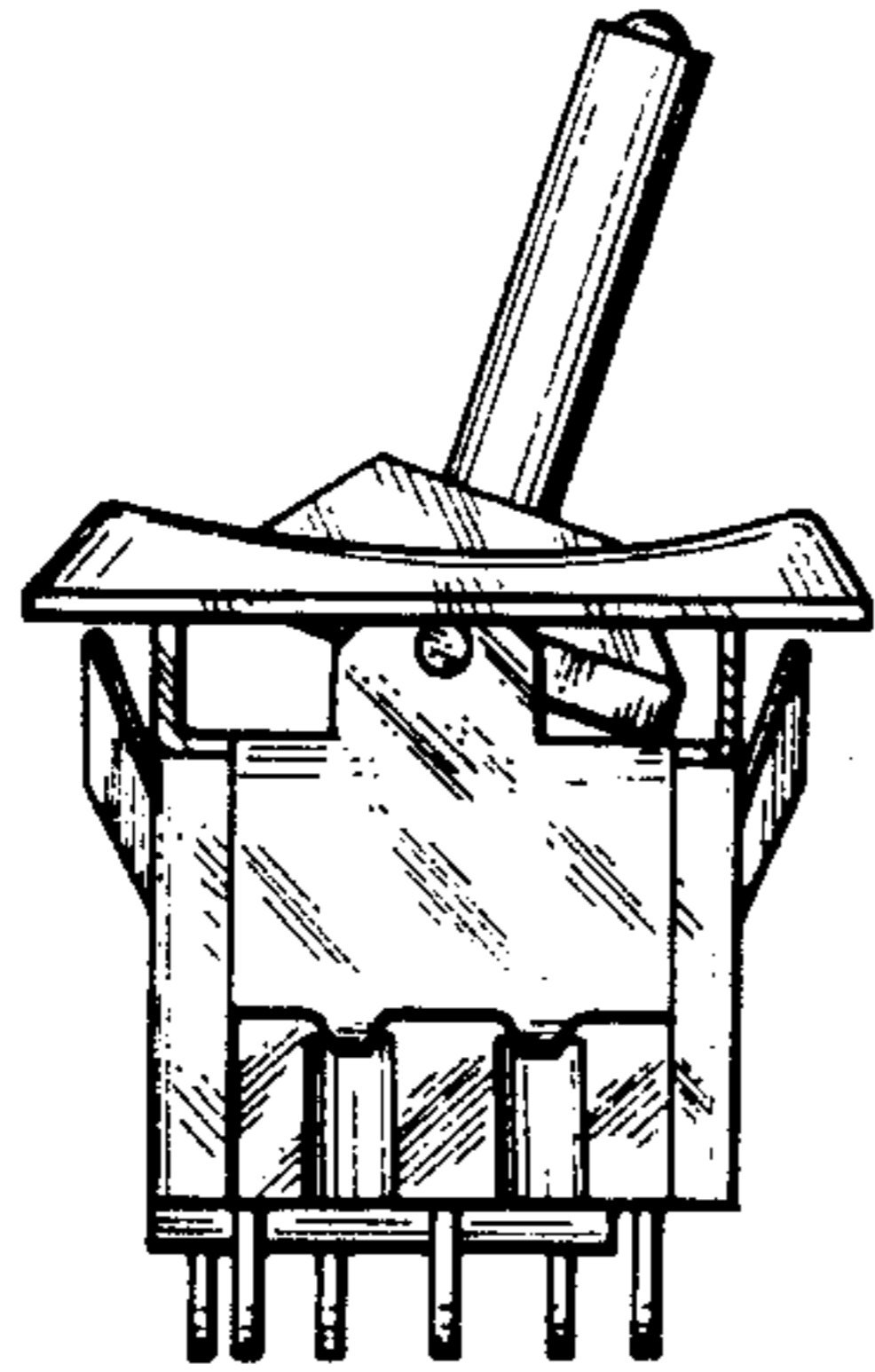


FIG.17

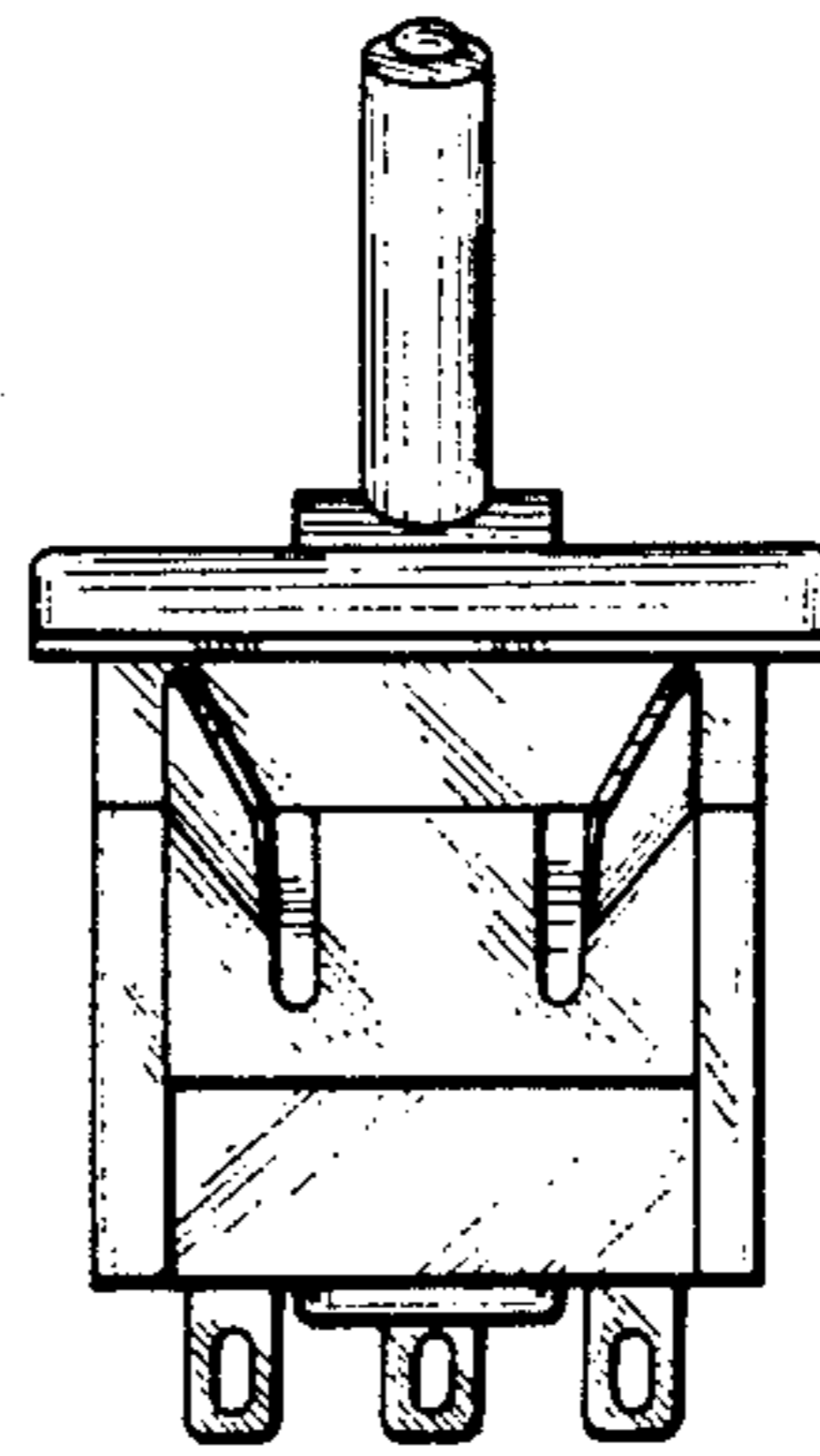


FIG.18

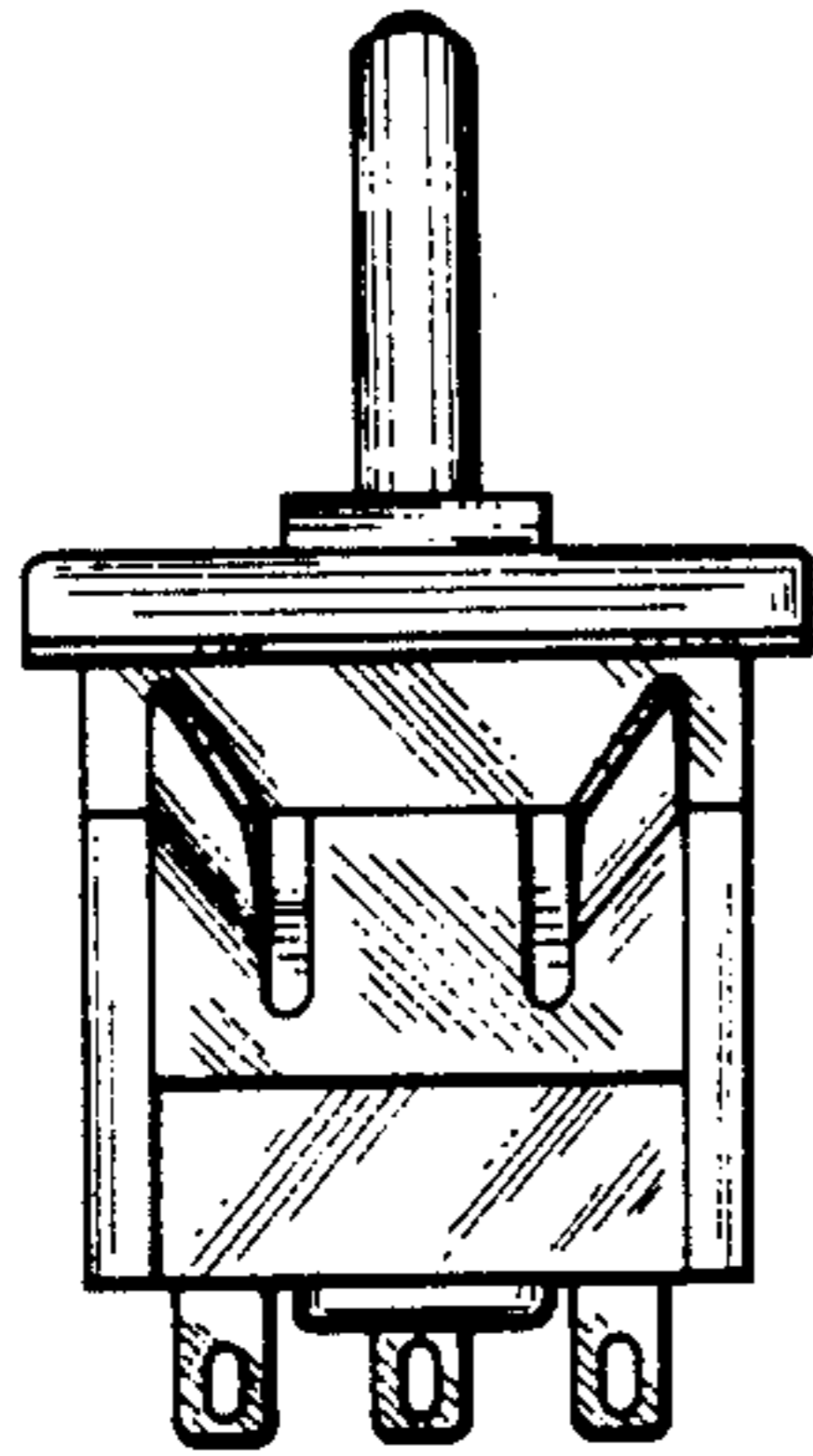


FIG.19

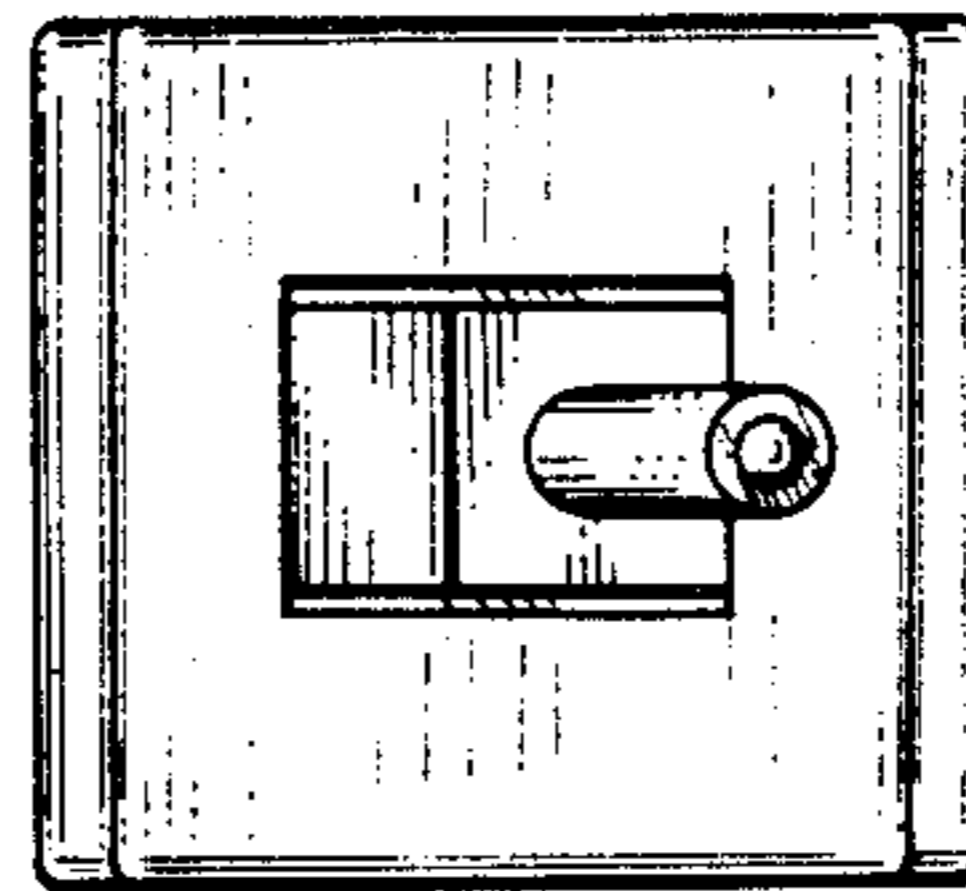


FIG.20

