

[54] COMBINED PLUG AND SOCKET THEREFOR

[76] Inventor: Arthur L. Healey, Ballards, Poplar Ave., Windlesham, Surrey, England

[\*\*] Term: 14 Years

[21] Appl. No.: 874,236

[22] Filed: Jan. 31, 1978

[51] Int. Cl. .... D13-03

[52] U.S. Cl. .... D13/24

[58] Field of Search ..... D13/12, 24; 339/206, 339/207, 208, 210, 74, 47, 49, 91

[56] References Cited

U.S. PATENT DOCUMENTS

2,823,364 2/1958 Walter ..... 339/208 X  
2,997,681 8/1961 Klassen ..... 339/74 R

3,273,105 9/1966 Klassen ..... 339/210 R X

FOREIGN PATENT DOCUMENTS

235927 2/1964 Austria ..... 339/208

Primary Examiner—Susan J. Lucas  
Attorney, Agent, or Firm—Haseltine, Lake & Waters

[57] CLAIM

The ornamental design for combined plug and socket therefor, as shown and described.

DESCRIPTION

FIG. 1 is a perspective view of a combined plug and socket therefor showing my new design;  
FIG. 2 is a view from above of the combined plug and socket disconnected from one another for purposes of disclosure.  
FIG. 3 is a view from one end of the socket;  
FIG. 4 is a view from the other end of the socket;  
FIG. 5 is an end view of the plug.

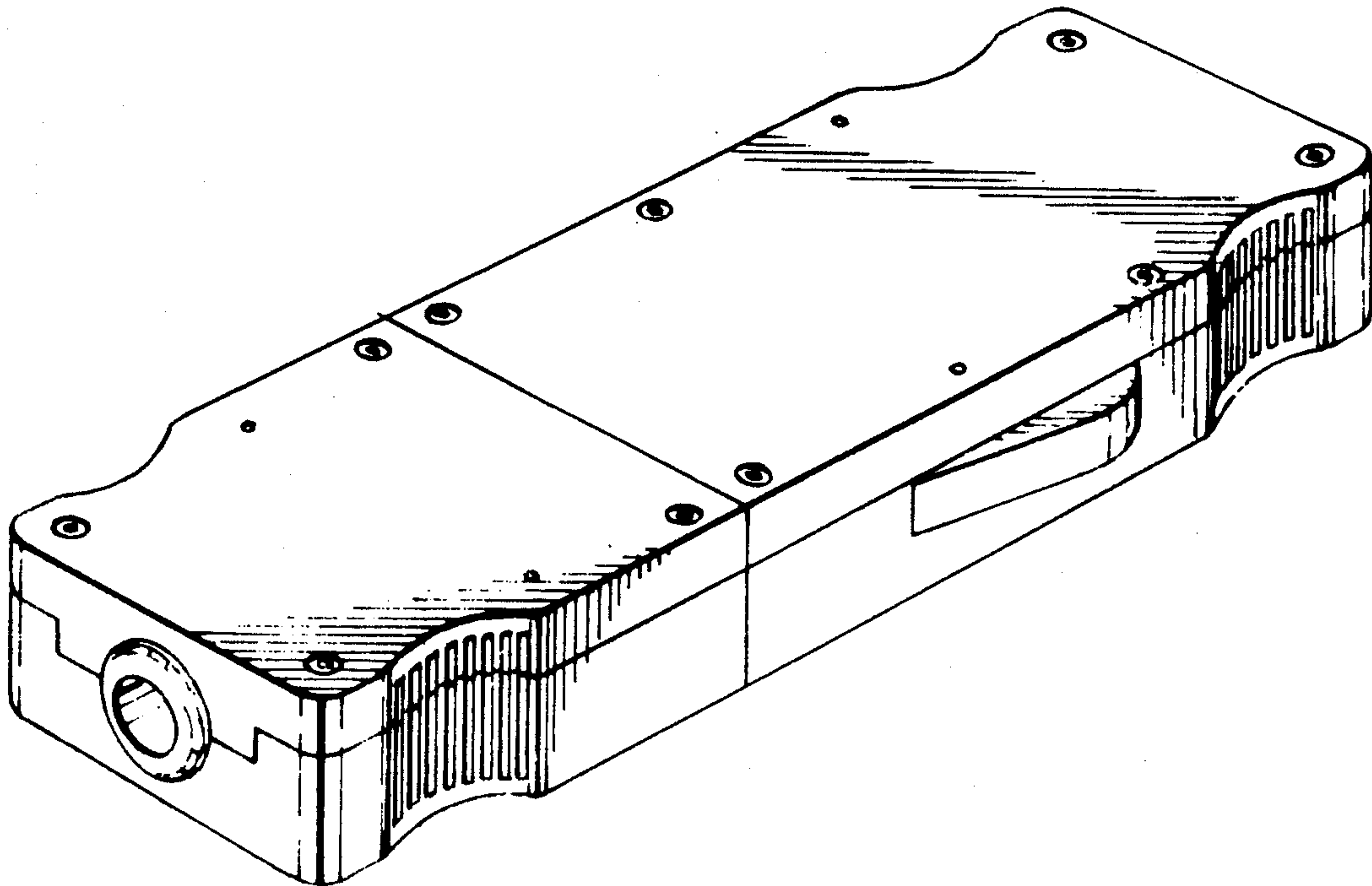


FIG. 1

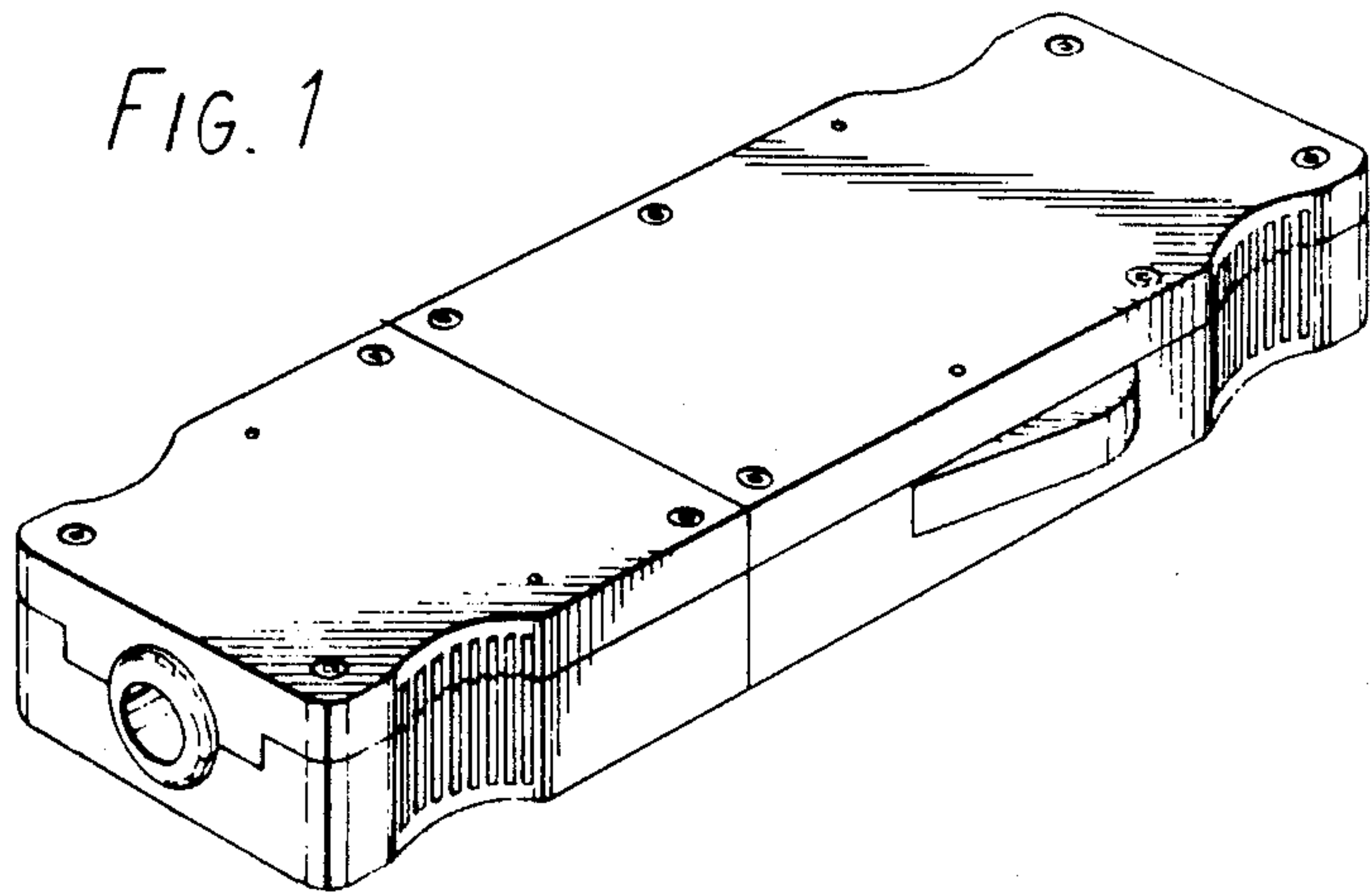


FIG. 2

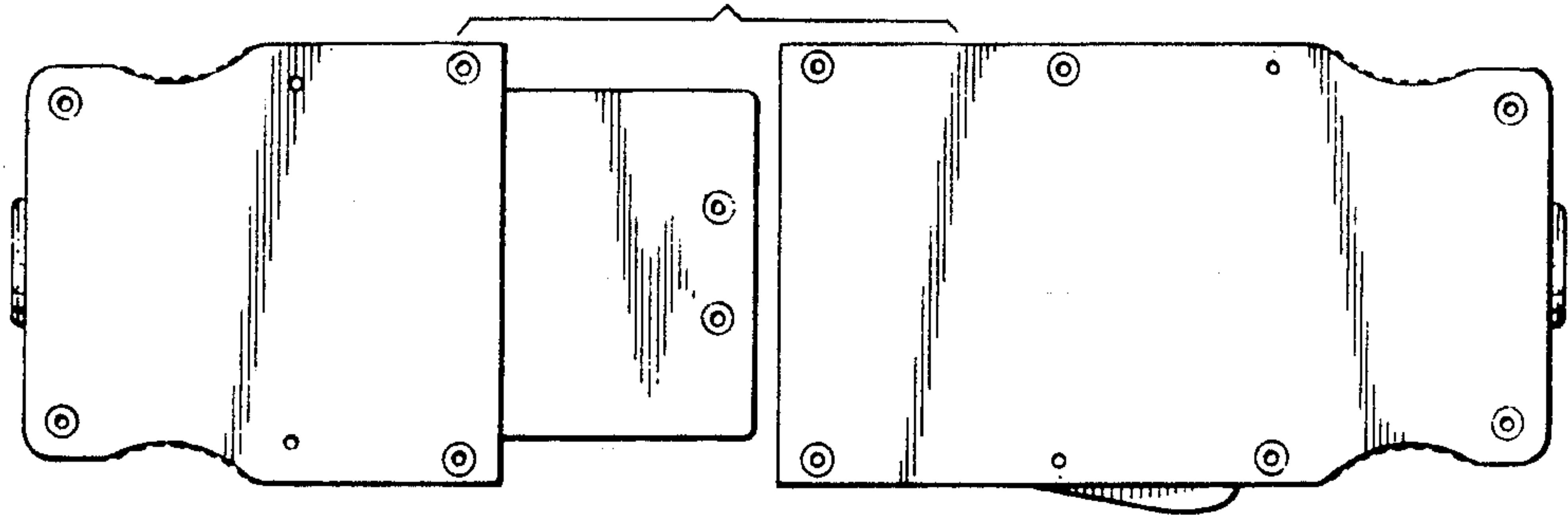


FIG. 3

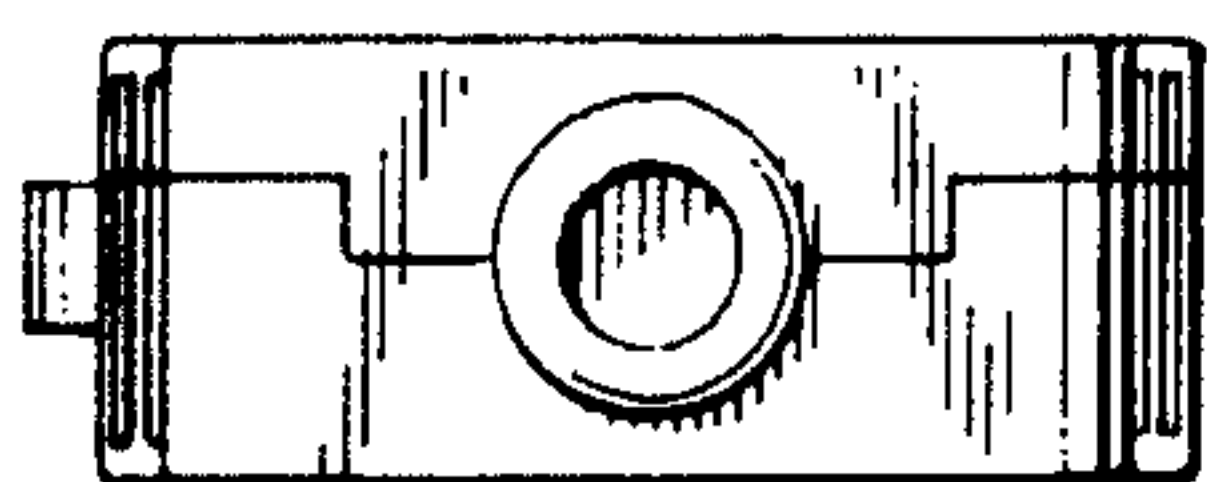


FIG. 4



FIG. 5

