

[54] WEDGE FOR HOLDING A GAS PUMP NOZZLE IN THE OPEN POSITION

[76] Inventor: Claude S. Breaux, 3728 Franklin Ave., New Orleans, La. 70122

[**] Term: 14 Years

[21] Appl. No.: 952,112

[22] Filed: Oct. 17, 1978

[51] Int. Cl. D8-08; D11-01; D15-02; D23-01

[52] U.S. Cl. D8/349; 141/392; D8/354; D11/90; D15/9.1; D23/37

[58] Field of Search D8/349, 354; D11/90; 74/526; 141/392; 251/89, 90, 101; D15/9.1; D23/37

[56]

References Cited

U.S. PATENT DOCUMENTS

D. 81,382 6/1930 Dinhofer D11/90
4,095,629 6/1978 Jordan 141/392

Primary Examiner—Wallace R. Burke
Assistant Examiner—B. J. Bullock
Attorney, Agent, or Firm—C. Emmett Pugh

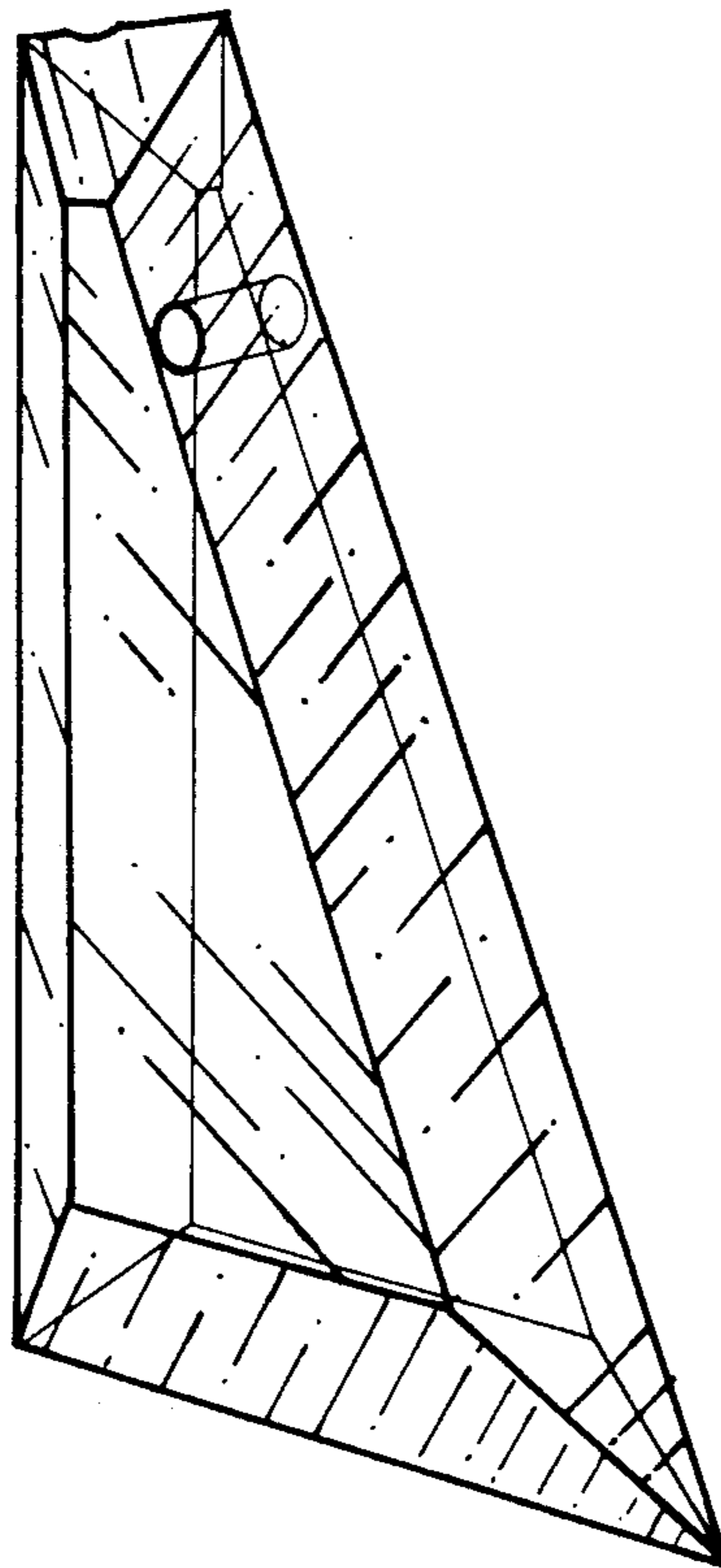
[57]

CLAIM

The ornamental design for a wedge for holding a gas pump nozzle in the open position, as shown and described.

DESCRIPTION

FIG. 1 is a front elevational view of a wedge for holding a gas pump nozzle in the open position showing my new design;
FIG. 2 is a top plan view thereof;
FIG. 3 is a perspective view thereof.



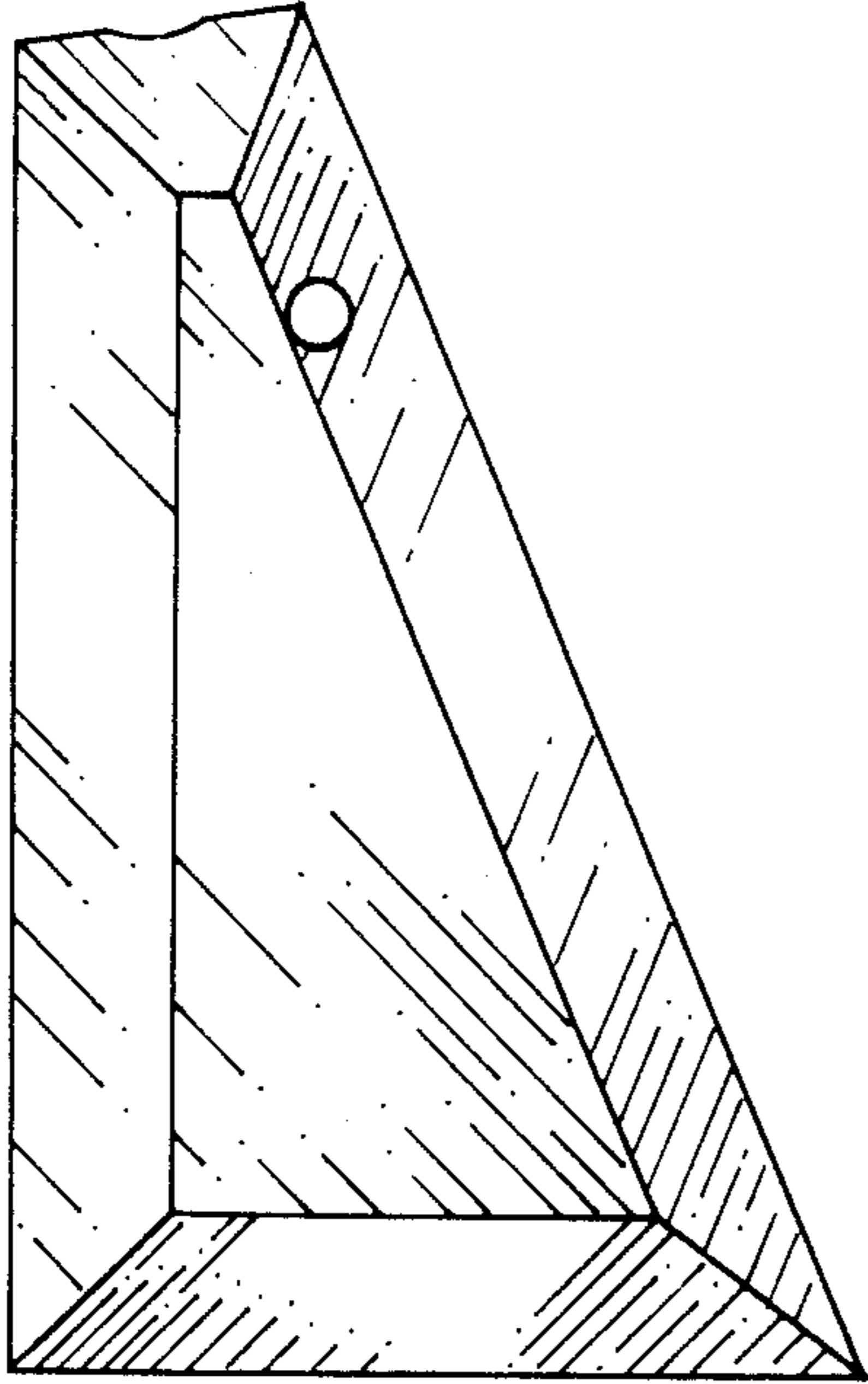


FIG. 1

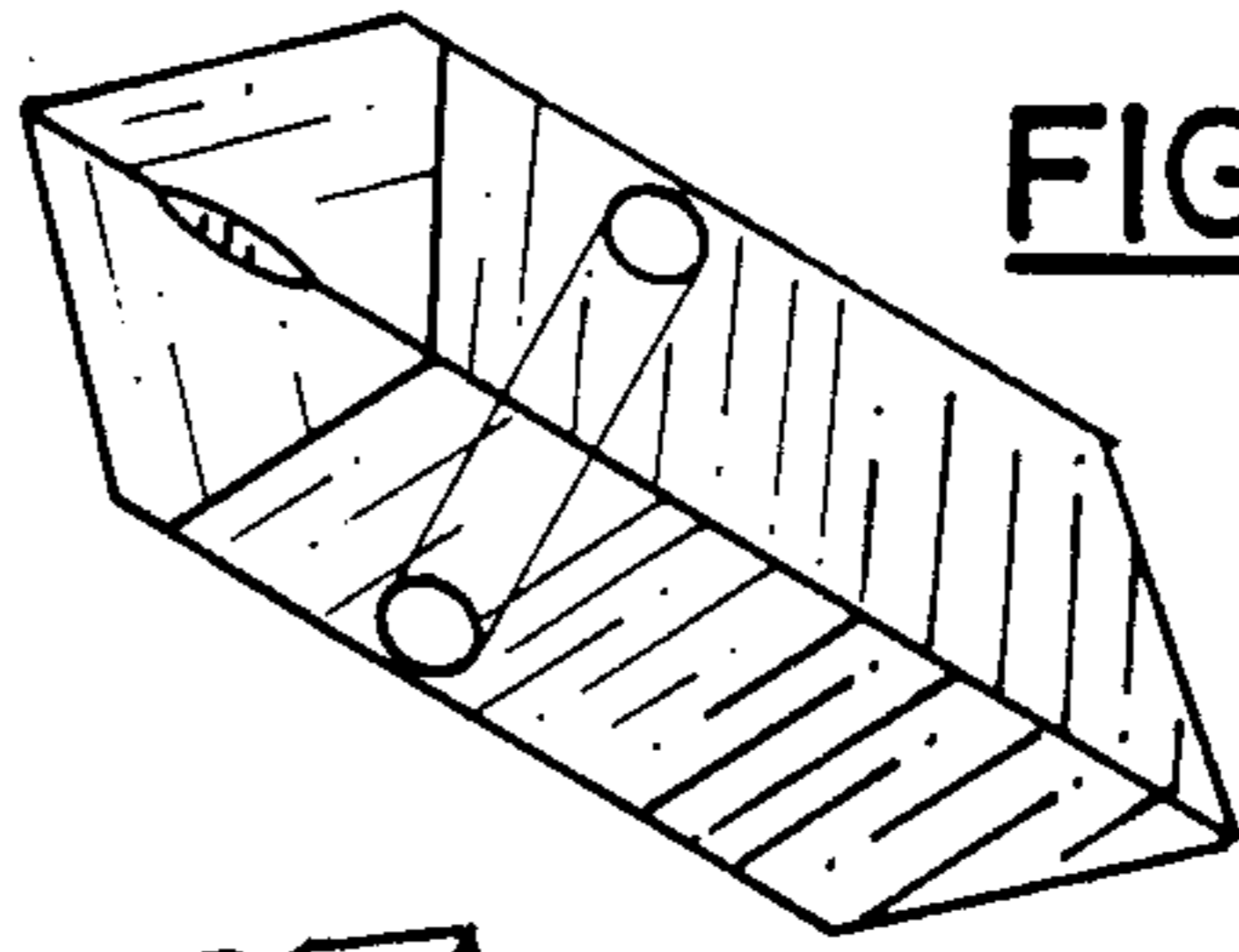


FIG. 2

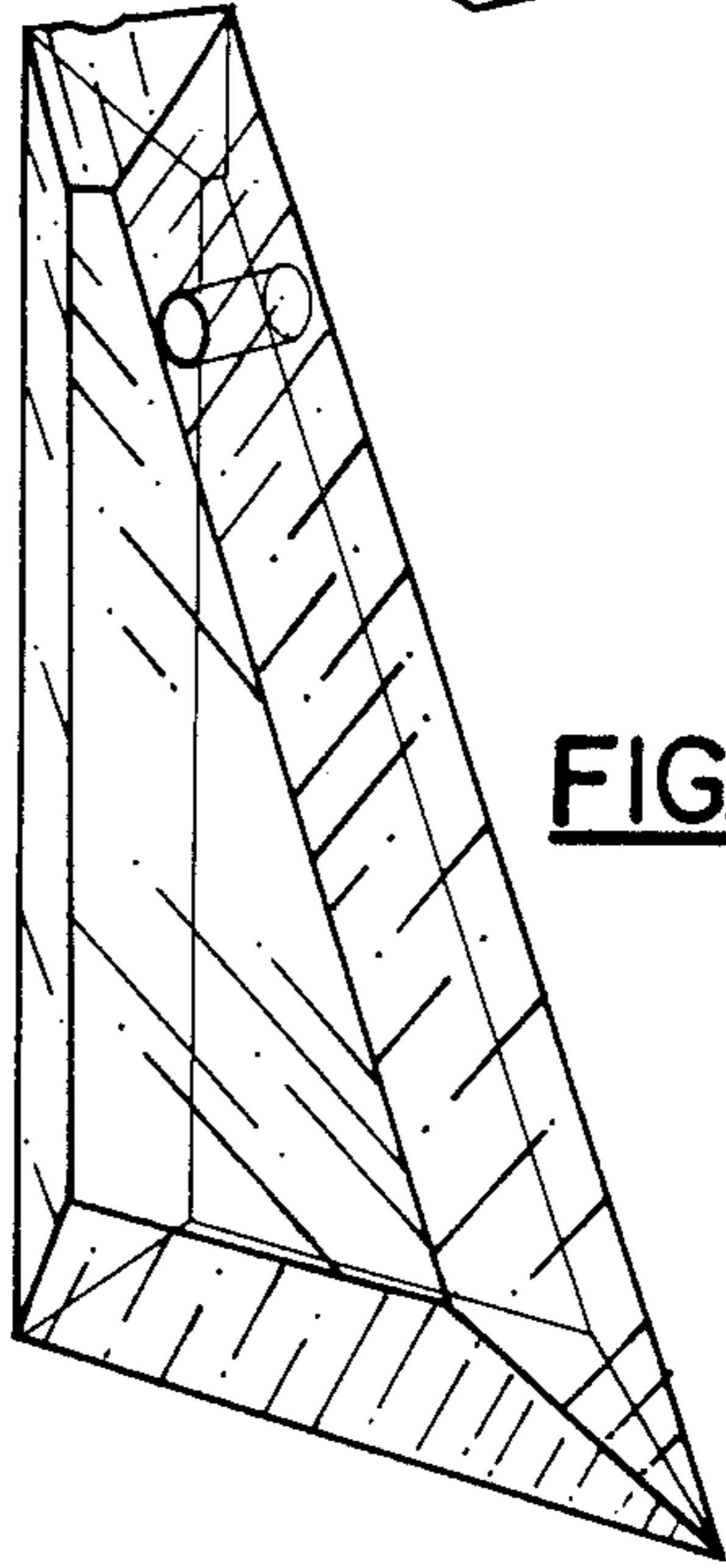


FIG. 3