

[54] VEHICLE IGNITION SWITCH LOCK

[75] Inventor: Lawrence Tankel, West Roxbury, Mass.

[73] Assignee: Car Cuf Industries, Inc., Brookline, Mass.

[\*\*] Term: 14 Years

[21] Appl. No.: 921,875

[22] Filed: Jul. 3, 1978

[51] Int. Cl. .... D8-07

[52] U.S. Cl. .... D8/333

[58] Field of Search ..... D8/333; 70/424, 428, 70/237, 252

[56] References Cited

U.S. PATENT DOCUMENTS

3,948,069	4/1976	Imbriano .....	70/428
4,104,895	8/1978	Tankel .....	70/237

Primary Examiner—James M. Gandy  
Attorney, Agent, or Firm—William Nitkin

[57] CLAIM

The ornamental design for a vehicle ignition switch lock, as shown.

DESCRIPTION

FIG. 1 is a perspective view of a vehicle ignition switch lock showing my new design;  
FIG. 2 is a right side elevational view thereof;  
FIG. 3 is a front elevational view thereof;  
FIG. 4 is a left side elevational view thereof;  
FIG. 5 is a rear elevational view thereof;  
FIG. 6 is a top plan view thereof; and  
FIG. 7 is a bottom plan view thereof.

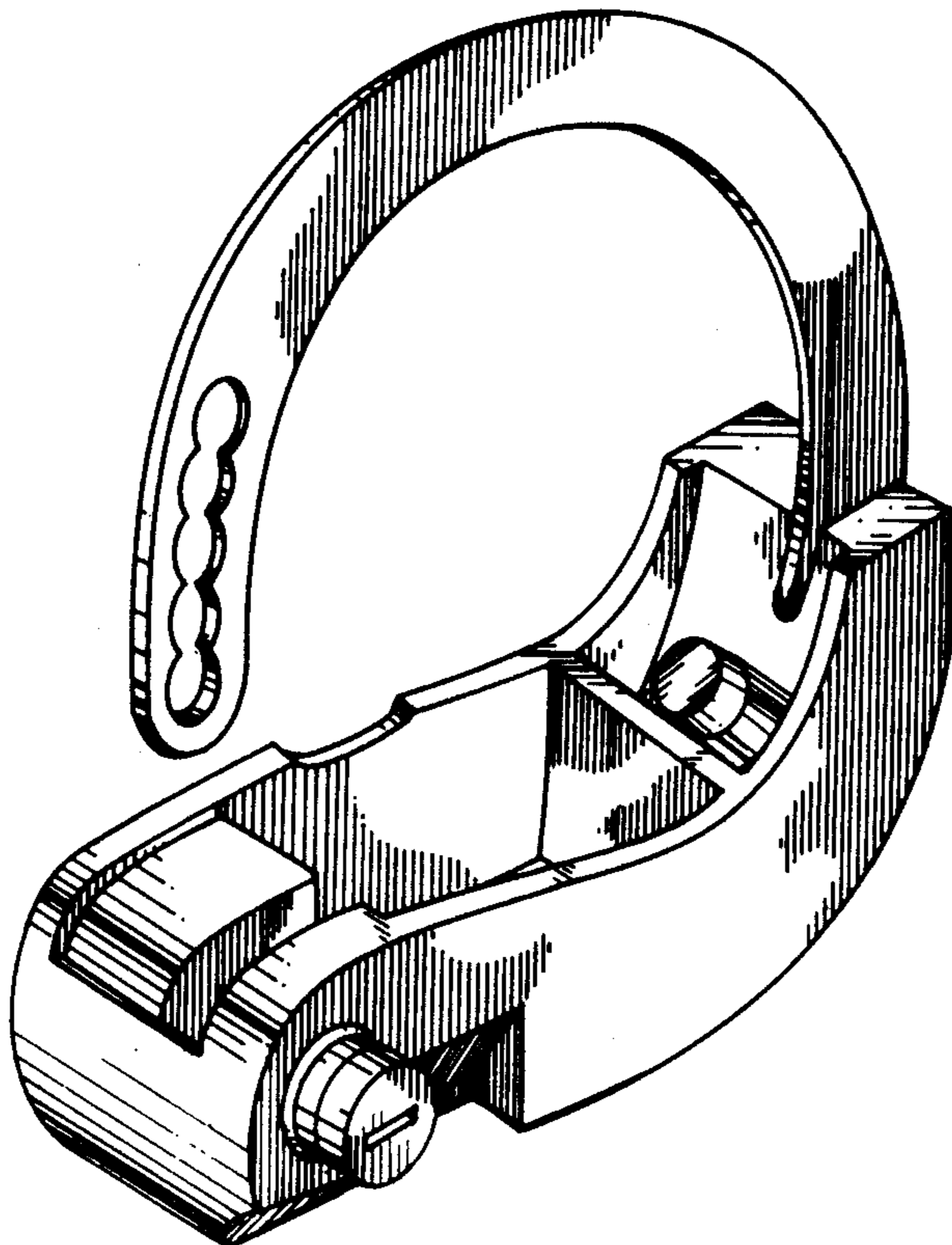


FIG. 1

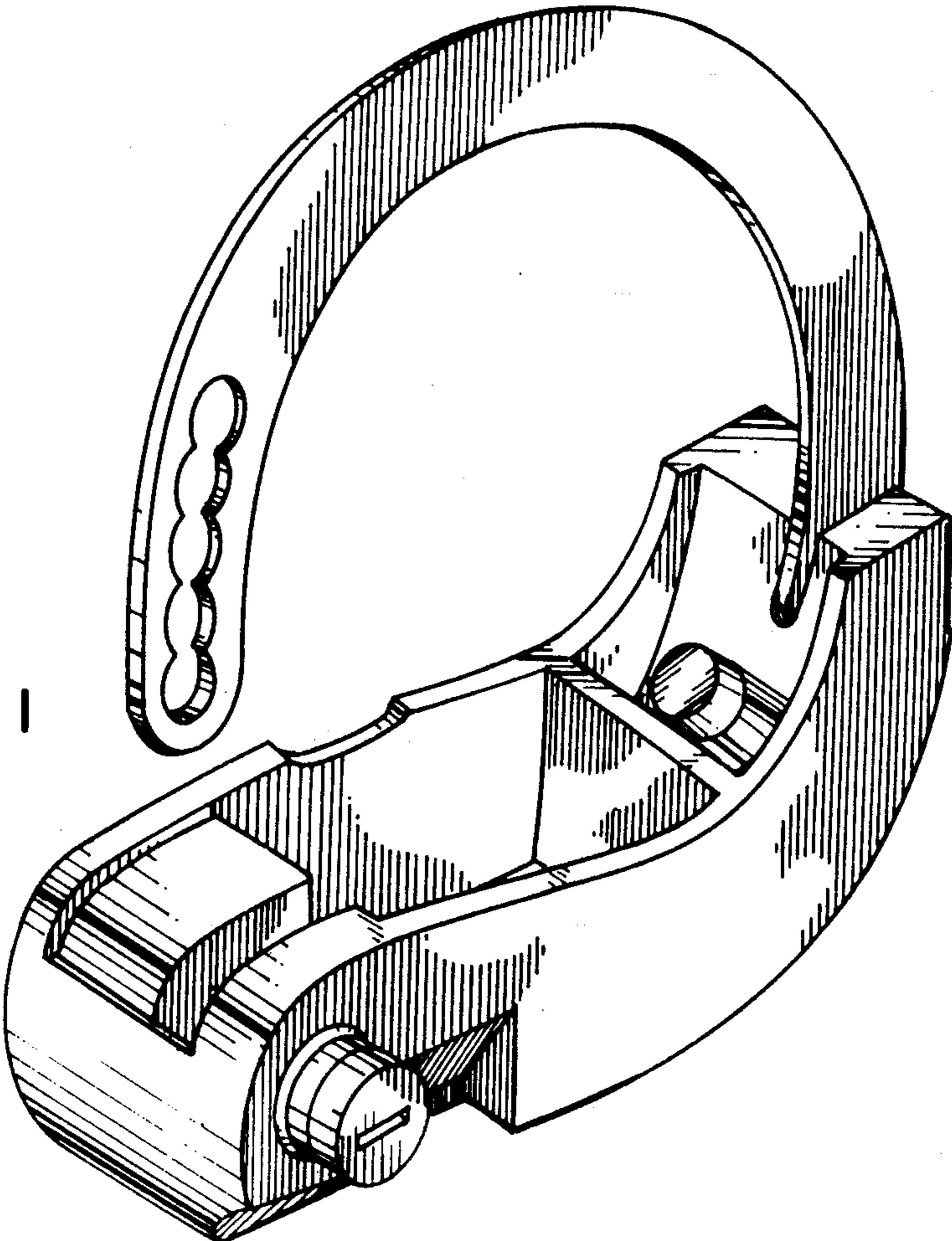


FIG. 2

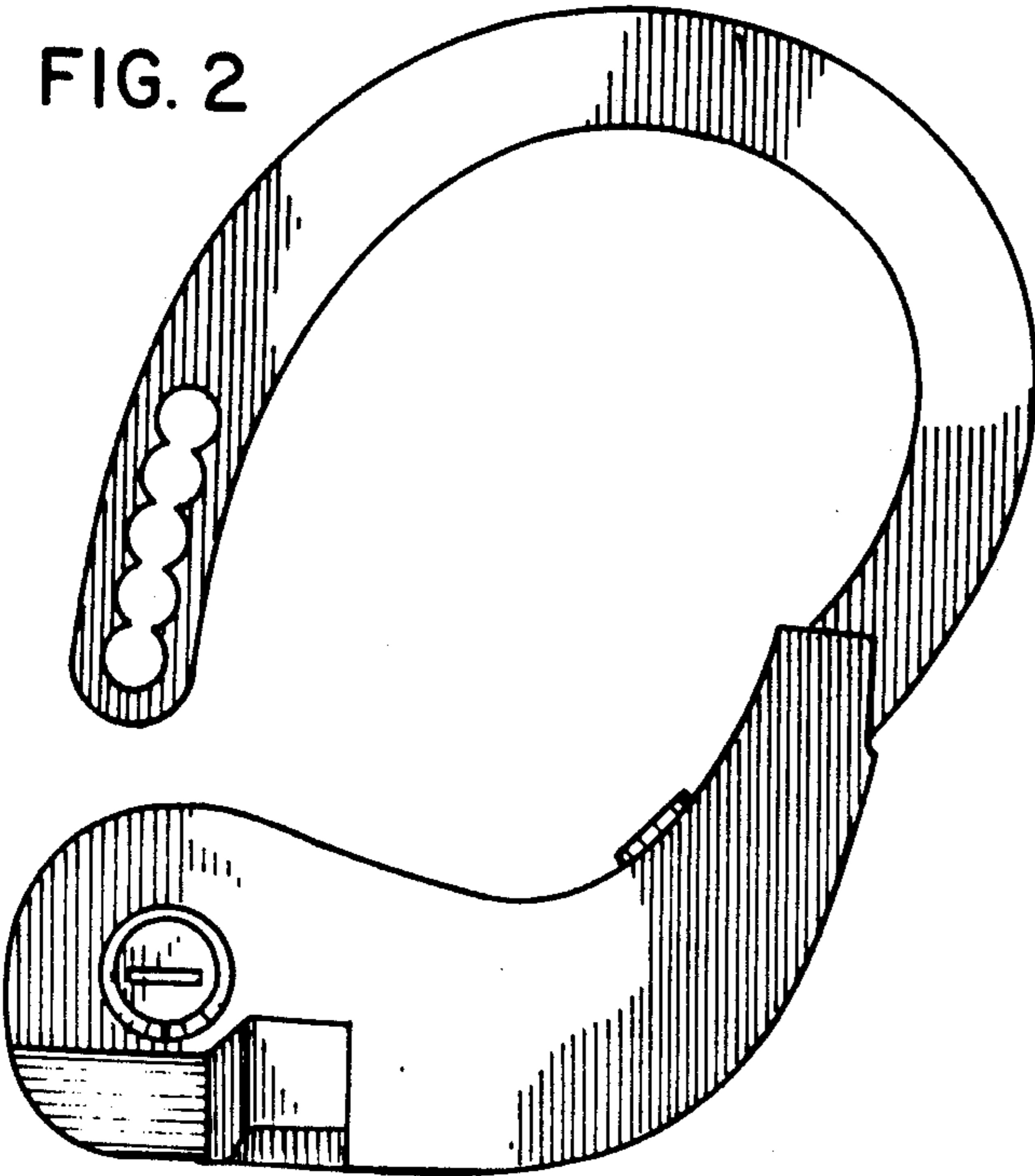
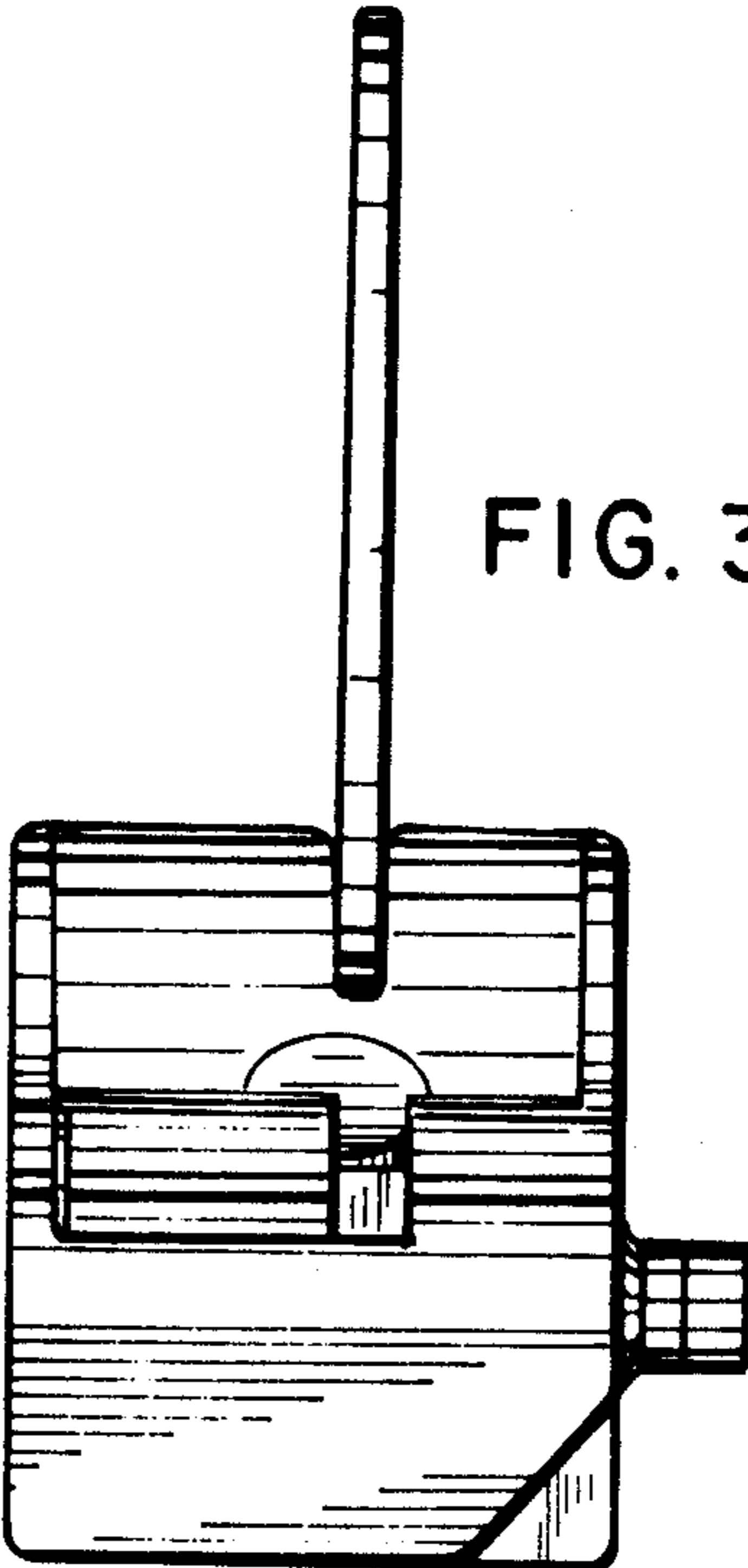


FIG. 3



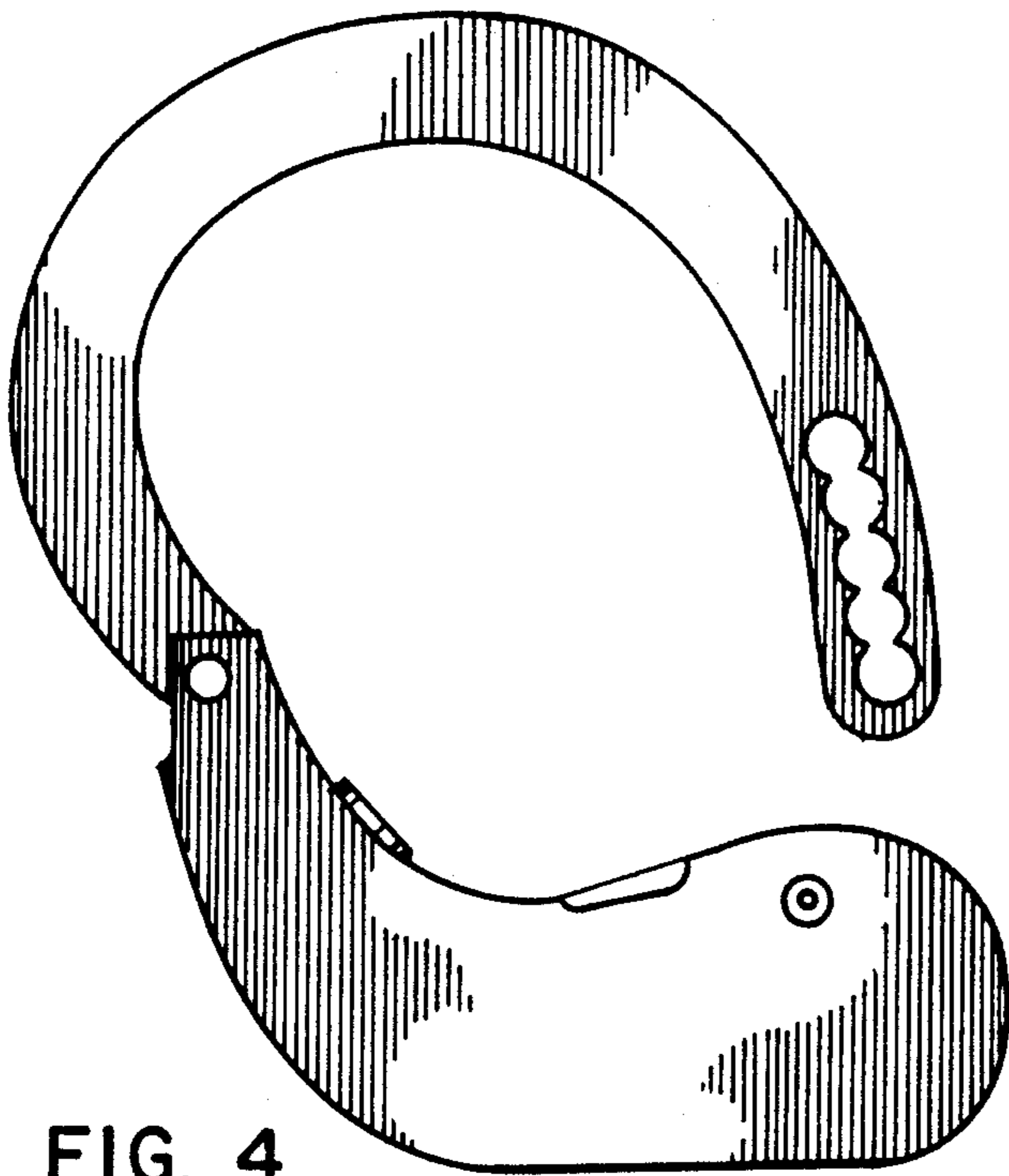


FIG. 4

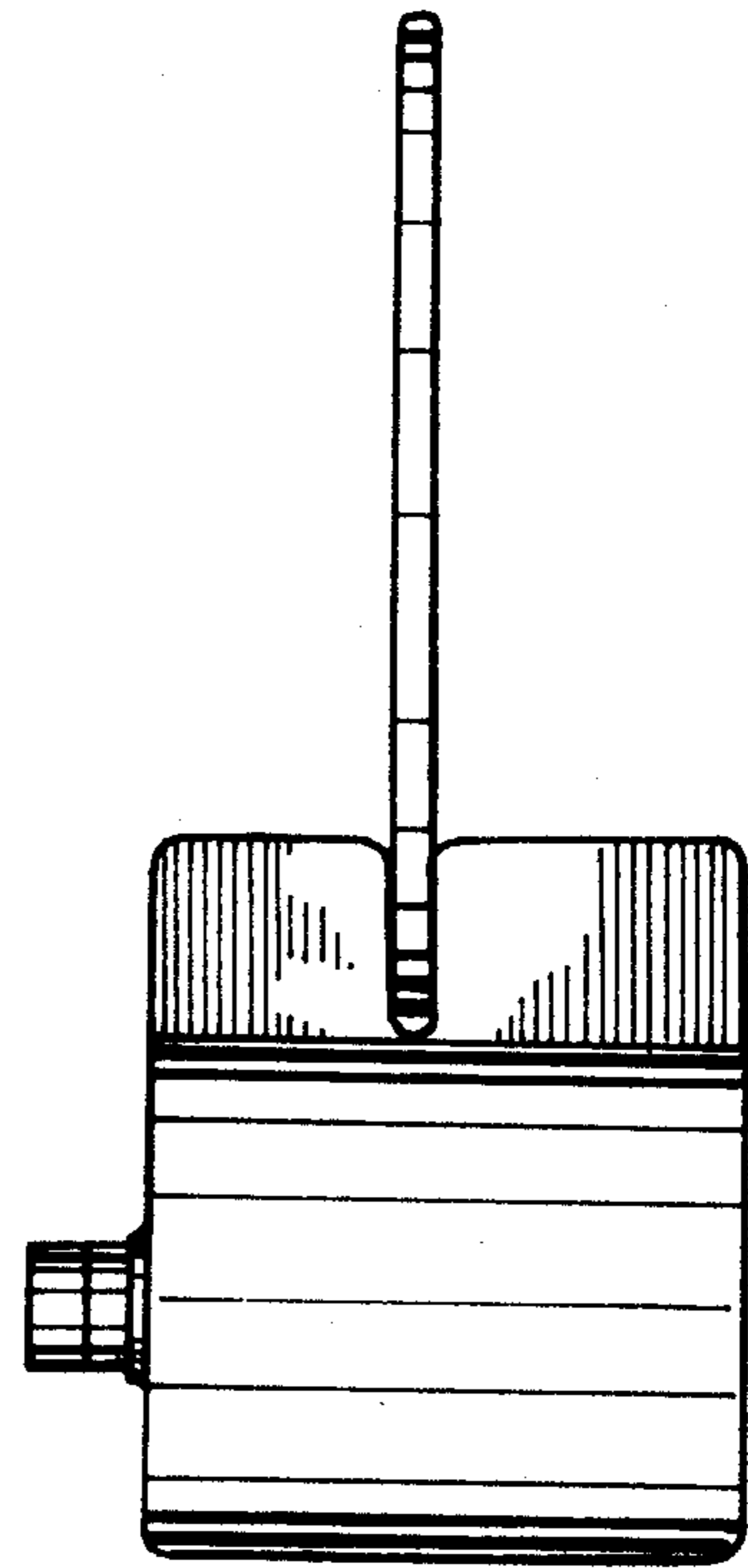


FIG. 5

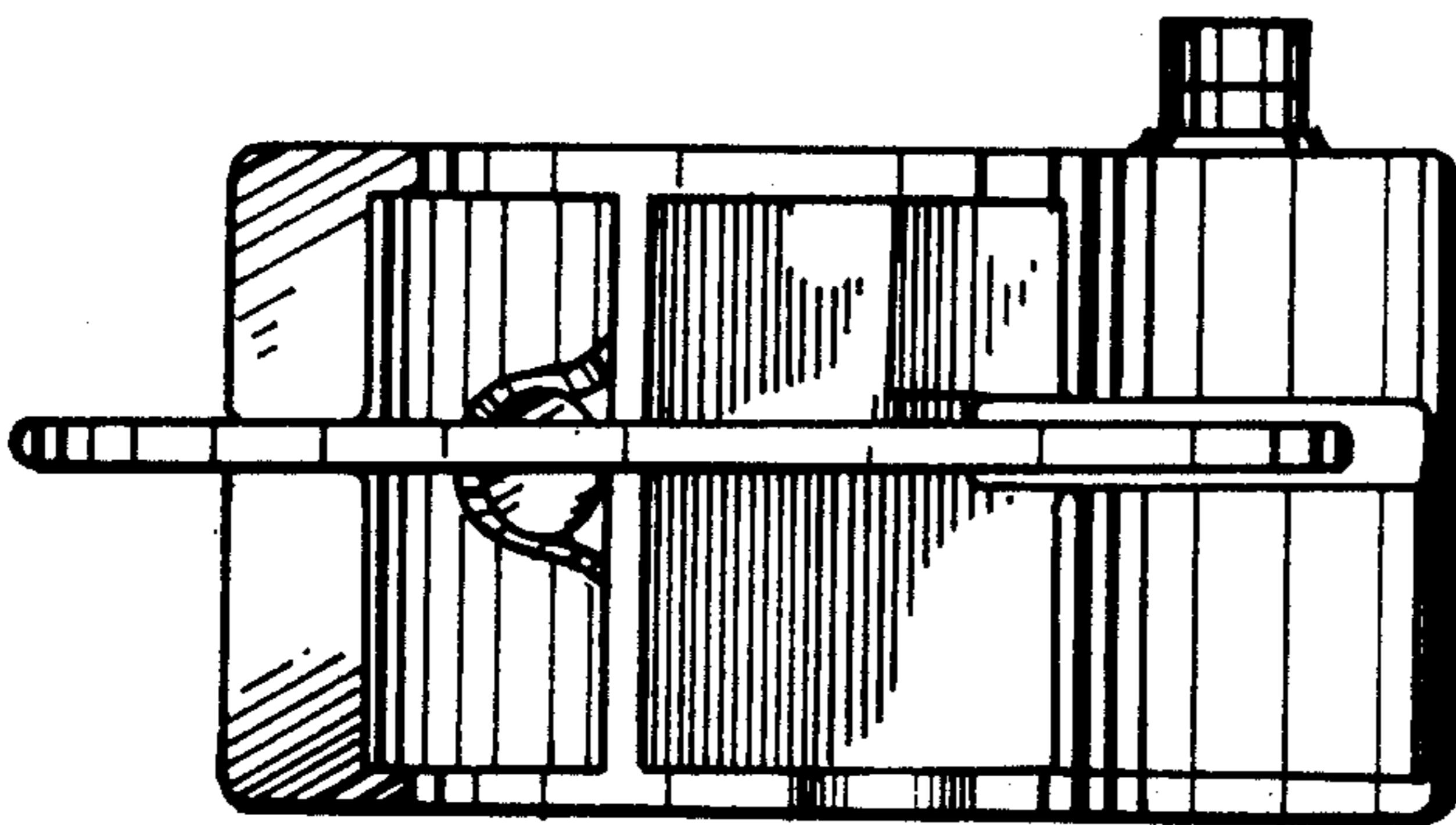


FIG. 6

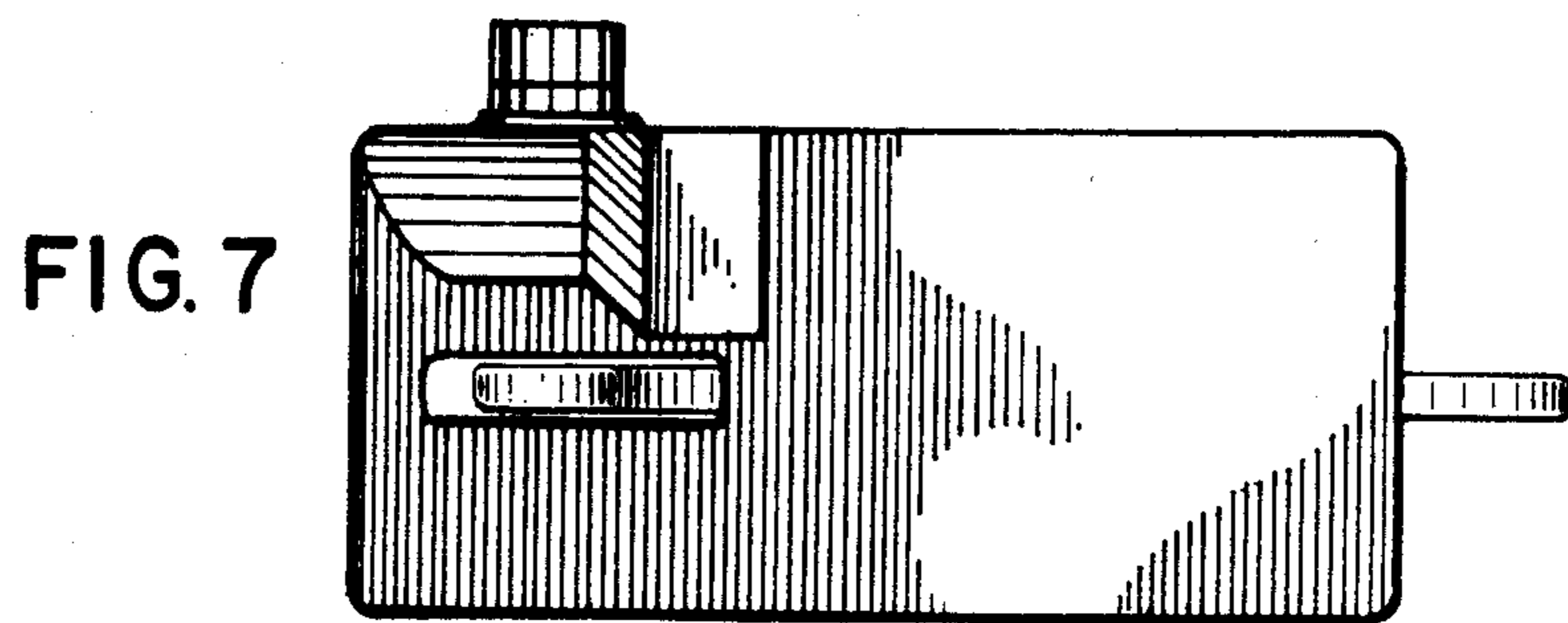


FIG. 7