

[54] VISE OR SIMILAR ARTICLE

[76] Inventor: Sheldon E. Bass, 1350 E. 17th St., Los Angeles, Calif. 90021

[\*\*] Term: 14 Years

[21] Appl. No.: 818,402

[22] Filed: Jul. 25, 1977

[51] Int. Cl. .... D8-05

[52] U.S. Cl. .... D8/74

[58] Field of Search ..... D8/74; 269/247, 250, 269/246, 248, 251, 252, 253

[56] References Cited

U.S. PATENT DOCUMENTS

4,040,613 8/1977 Kartasuk et al. .... 269/247

OTHER PUBLICATIONS

Wilton Tool Manuf. Co., Inc., Catalog 117, 1963, pp. 52, 53.

Primary Examiner—Peter Feldman  
Attorney, Agent, or Firm—John Joseph Hall

[57] CLAIM

The ornamental design for a vise or similar article, as shown and described.

DESCRIPTION

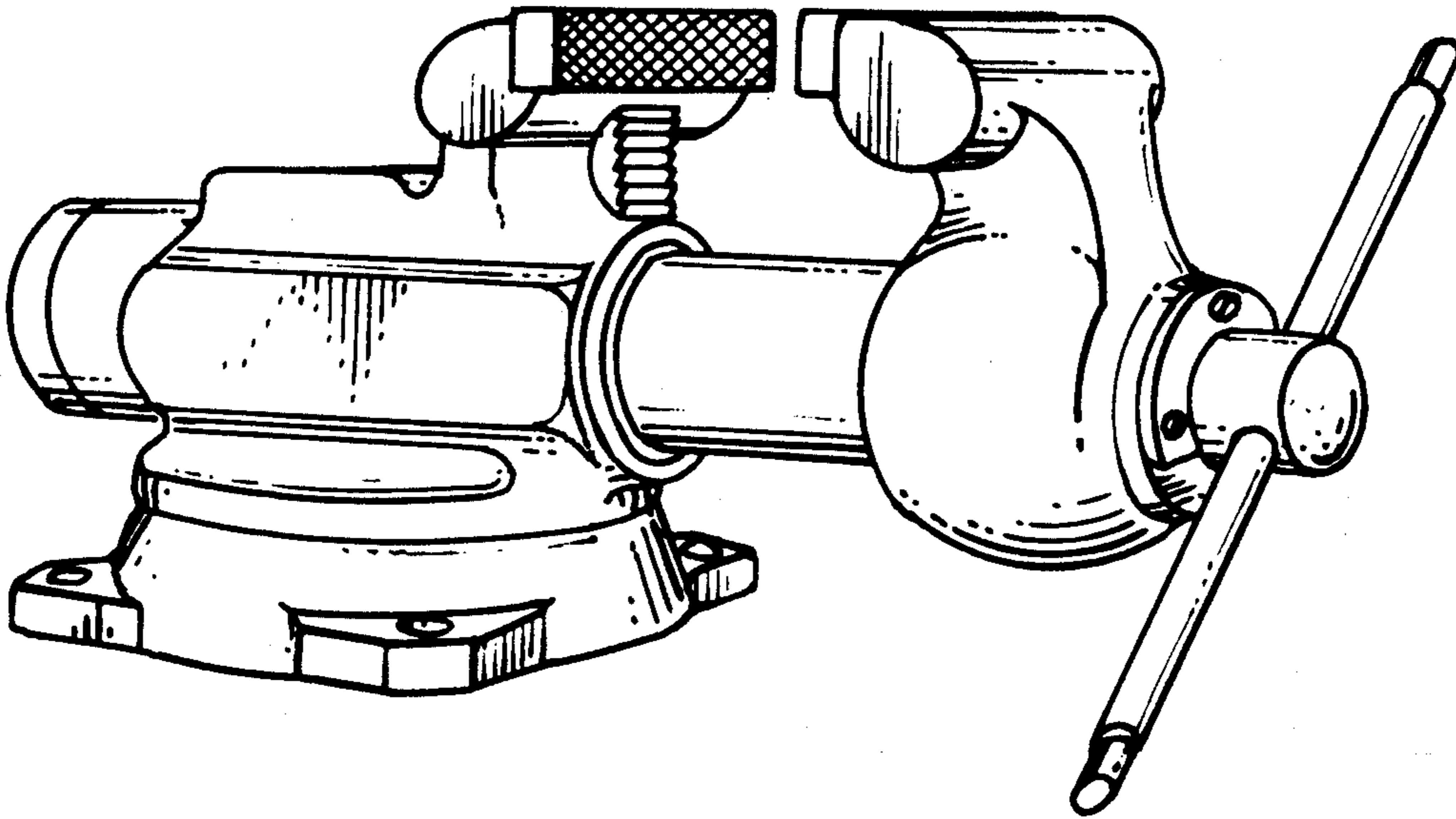
FIG. 1 is a perspective view showing the left and front elevational view of a vise or similar article showing my new design;

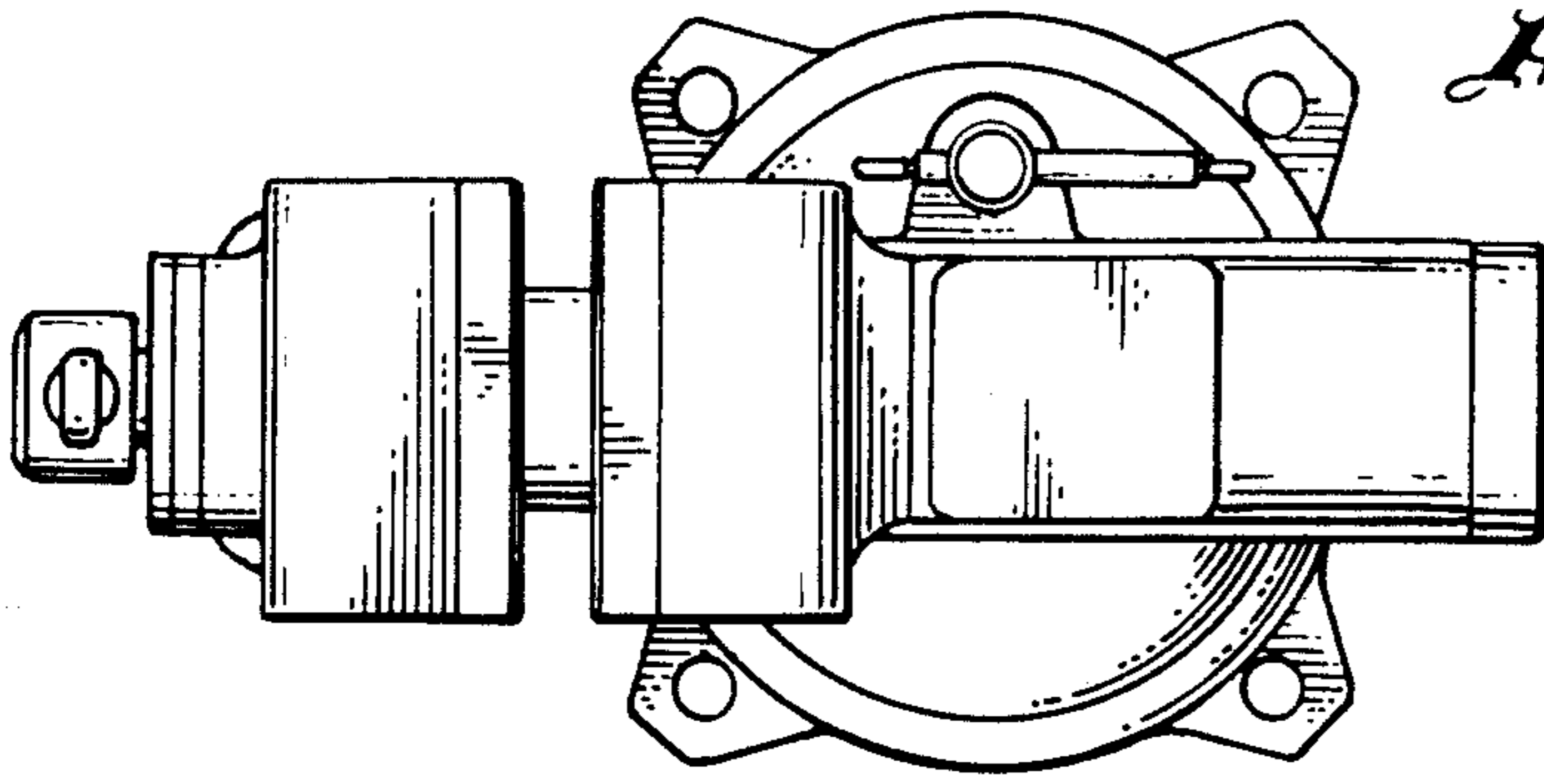
FIG. 2 is a top plan view;

FIG. 3 is a bottom plan view;

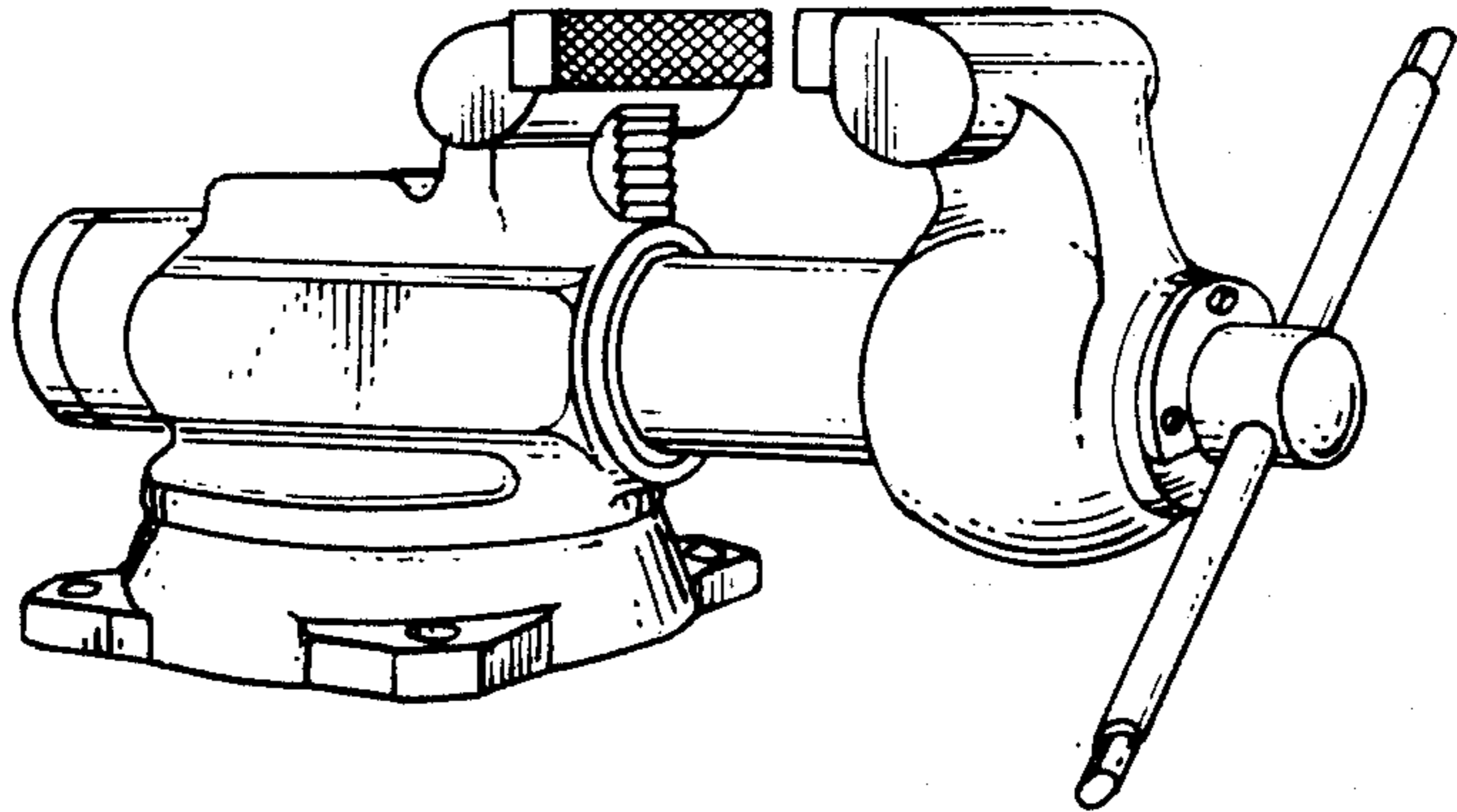
FIG. 4 is a rear elevational view; and

FIG. 5 is a side elevational view looking from the right of FIG. 1.

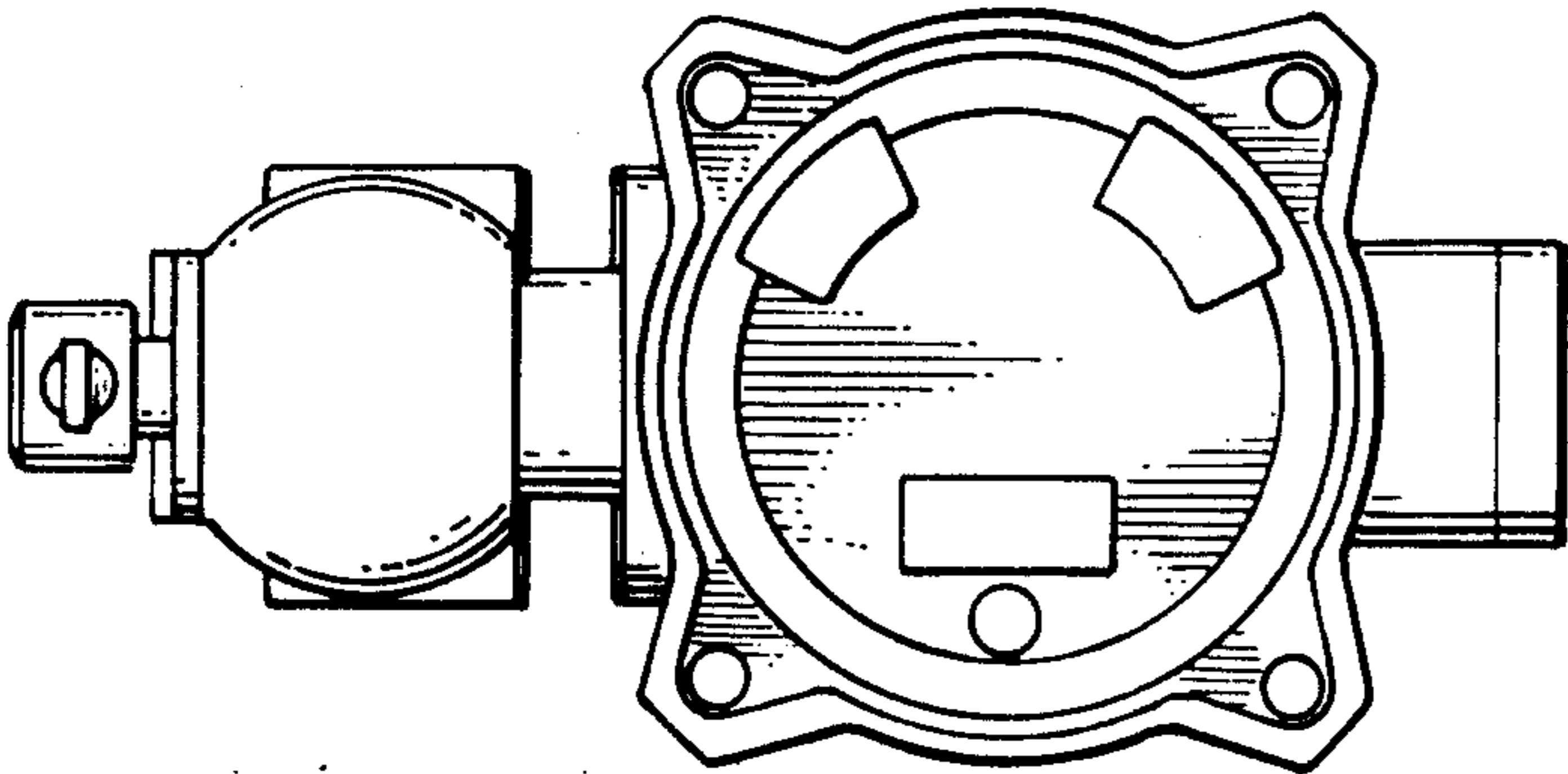




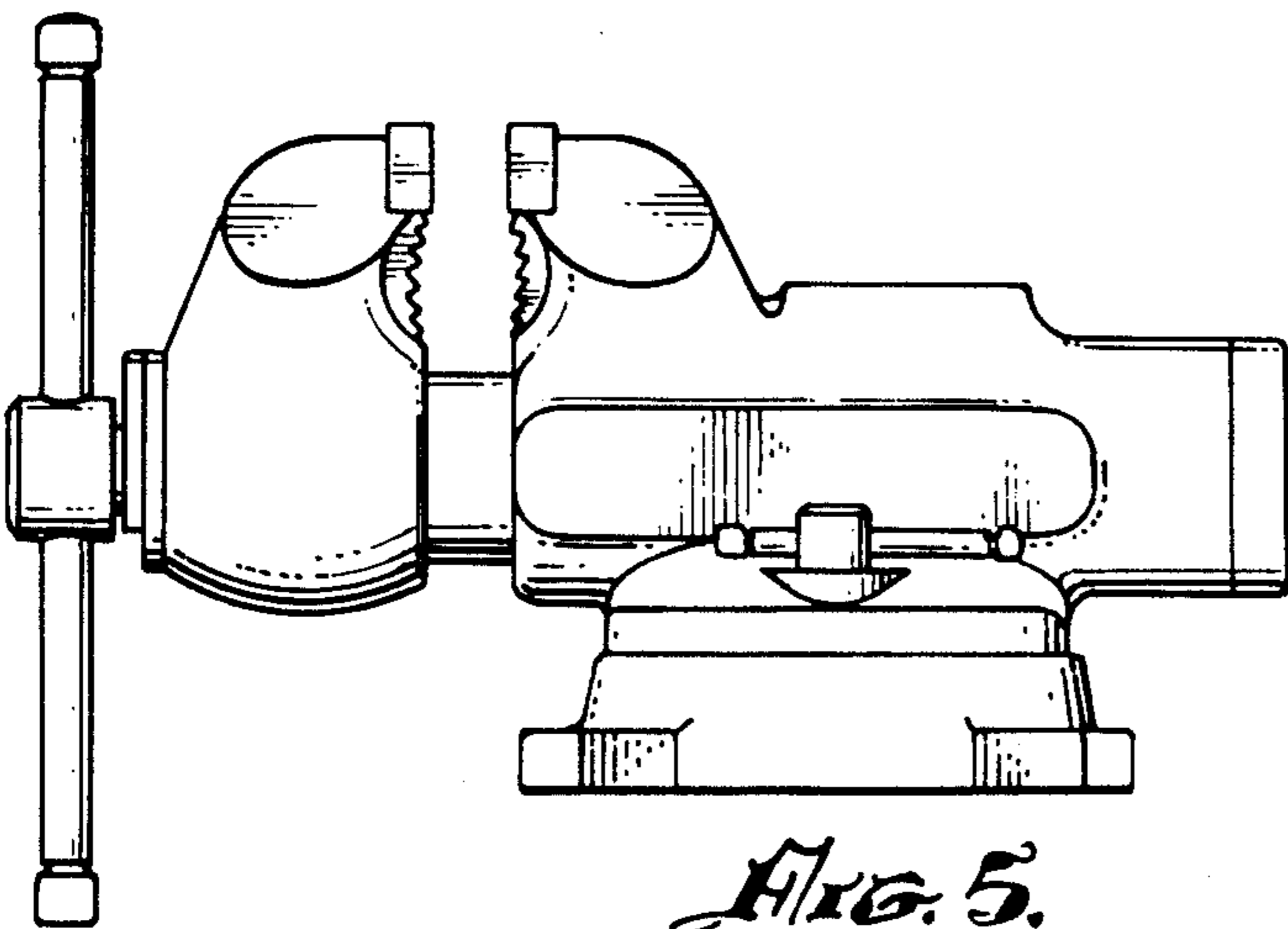
*Fig. 2.*



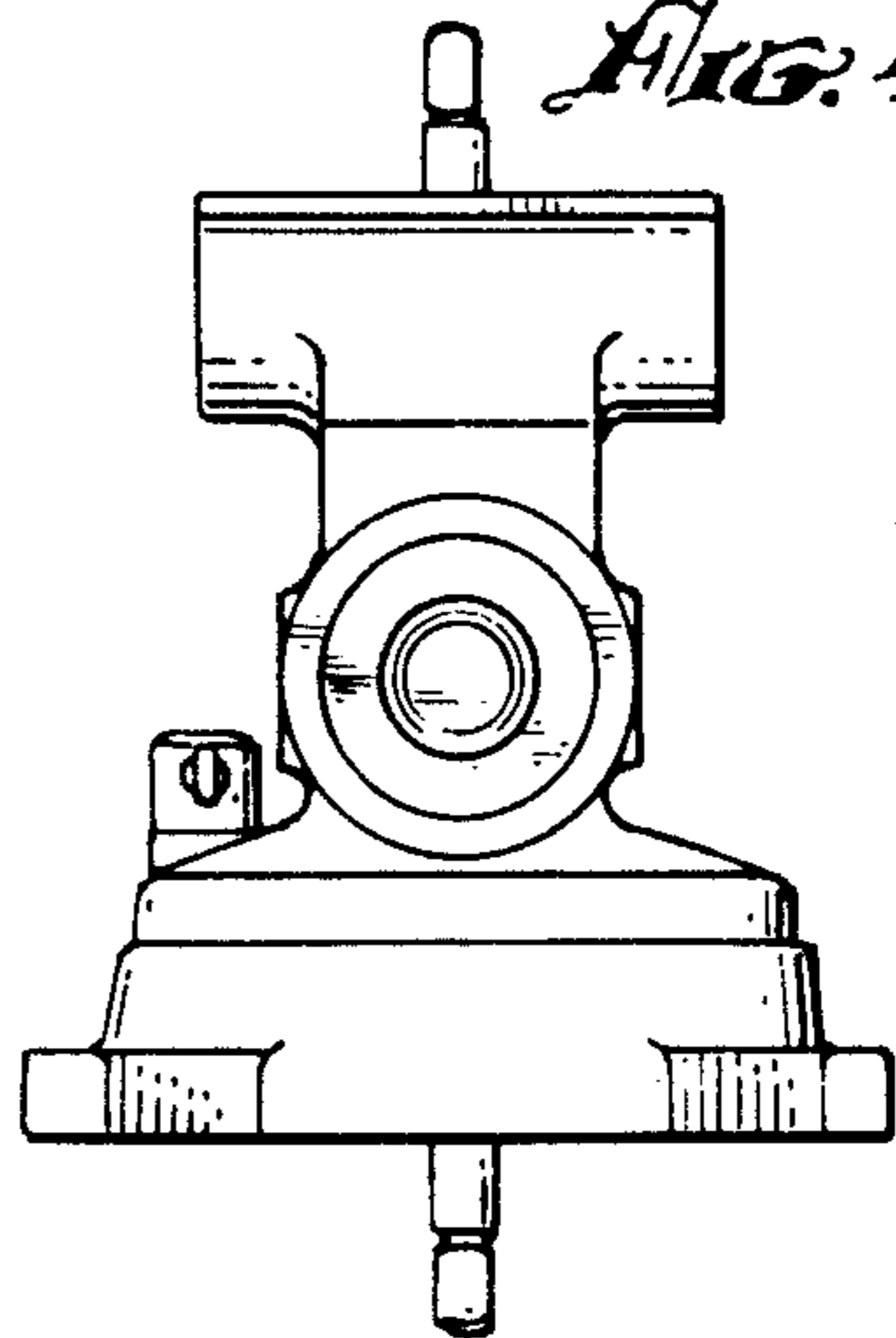
*Fig. 1.*



*Fig. 3.*



*Fig. 5.*



*Fig. 4.*