

[54] FOOD CONTAINER OPENER

[76] Inventors: **Dean J. Madsen**, 21 Middleridge La. North, Rolling Hills, Calif. 90274; **Robert G. Madsen**, 6801 Lawn Haven Dr., Huntington Beach, Calif. 92648; **Gordon W. Nichols**, 13241 Rutgers Ave., Downey, Calif. 90241

[**] Term: **14 Years**

[21] Appl. No.: **808,256**

[22] Filed: **Jun. 20, 1977**

[51] Int. Cl. **D07-99**
[52] U.S. Cl. **D8/18**
[58] Field of Search **D8/16, 17, 18, 19, 33, D8/34, 40, 41, 42, 43, 27; 81/3.1 R, 3 R, 3.46 R, 3.46 A**

[56]

References Cited

U.S. PATENT DOCUMENTS

55,878	6/1866	Livermore	81/3.46 R
D. 240,497	7/1976	Riba	D8/18
D. 245,393	8/1977	Madsen et al.	D8/18
941,865	11/1909	Forsyth et al.	D8/18 X

FOREIGN PATENT DOCUMENTS

143705	6/1920	United Kingdom	D8/40 X
--------	--------	----------------------	---------

Primary Examiner—Winifred E. Herrmann
Attorney, Agent, or Firm—Gausewitz, Carr & Rothenberg

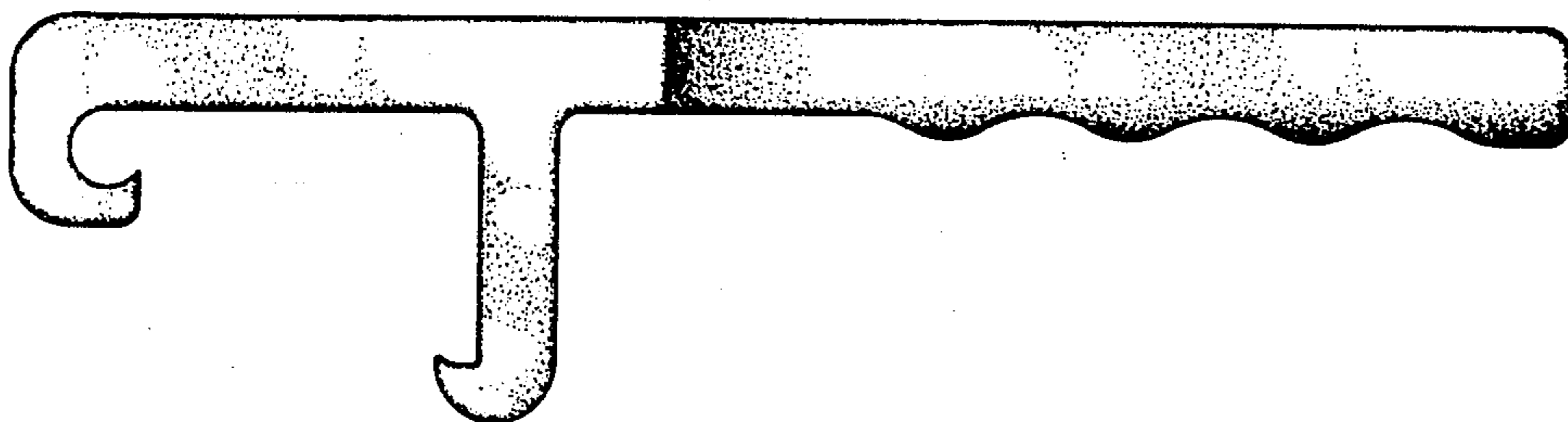
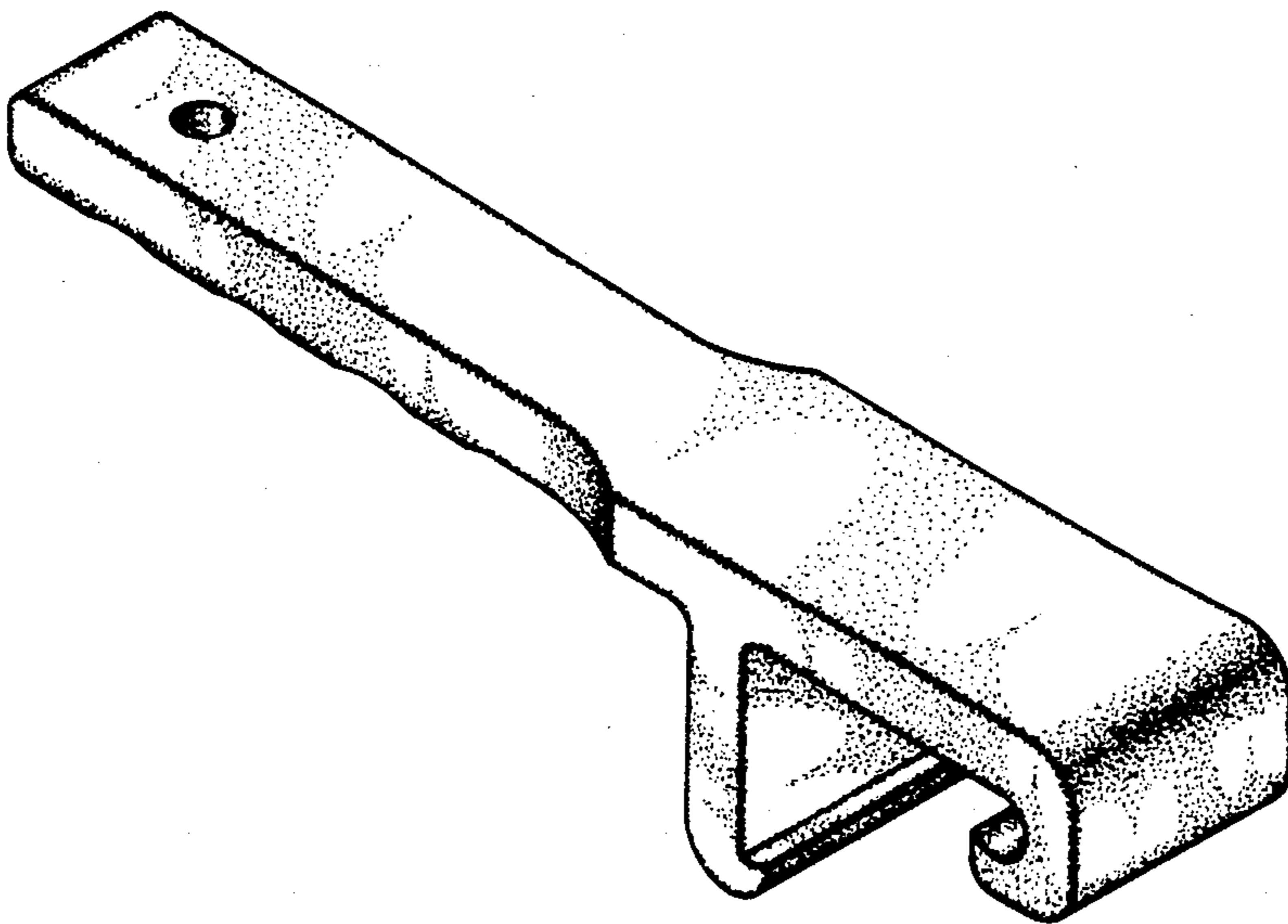
[57]

CLAIM

The ornamental design for a food container opener, as shown.

DESCRIPTION

FIG. 1 is a perspective view of a food container opener embodying our new design; FIG. 2 is an end elevational view thereof; FIG. 3 is a side elevational view thereof; and FIG. 4 is a bottom plan view thereof.



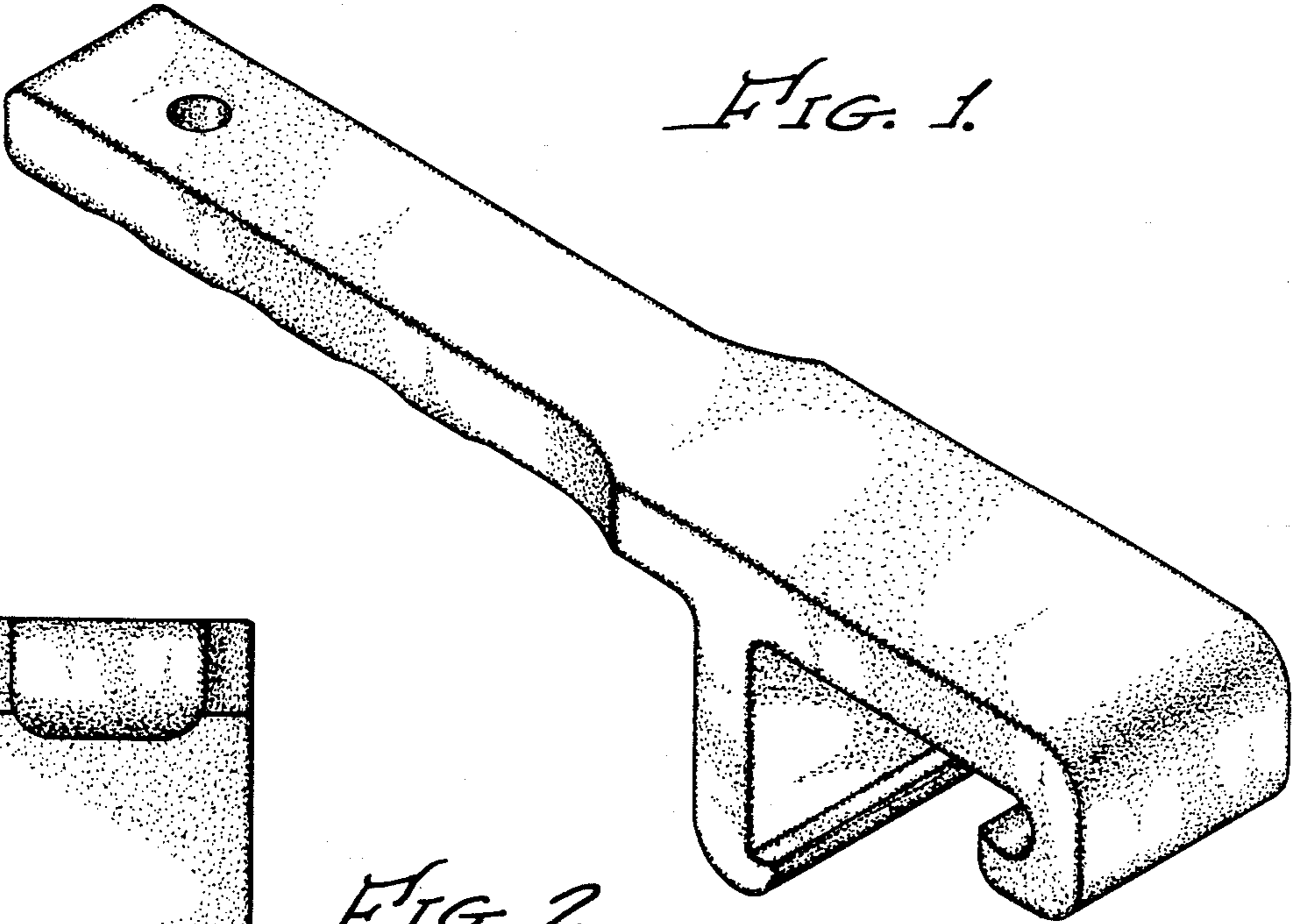


FIG. 1.

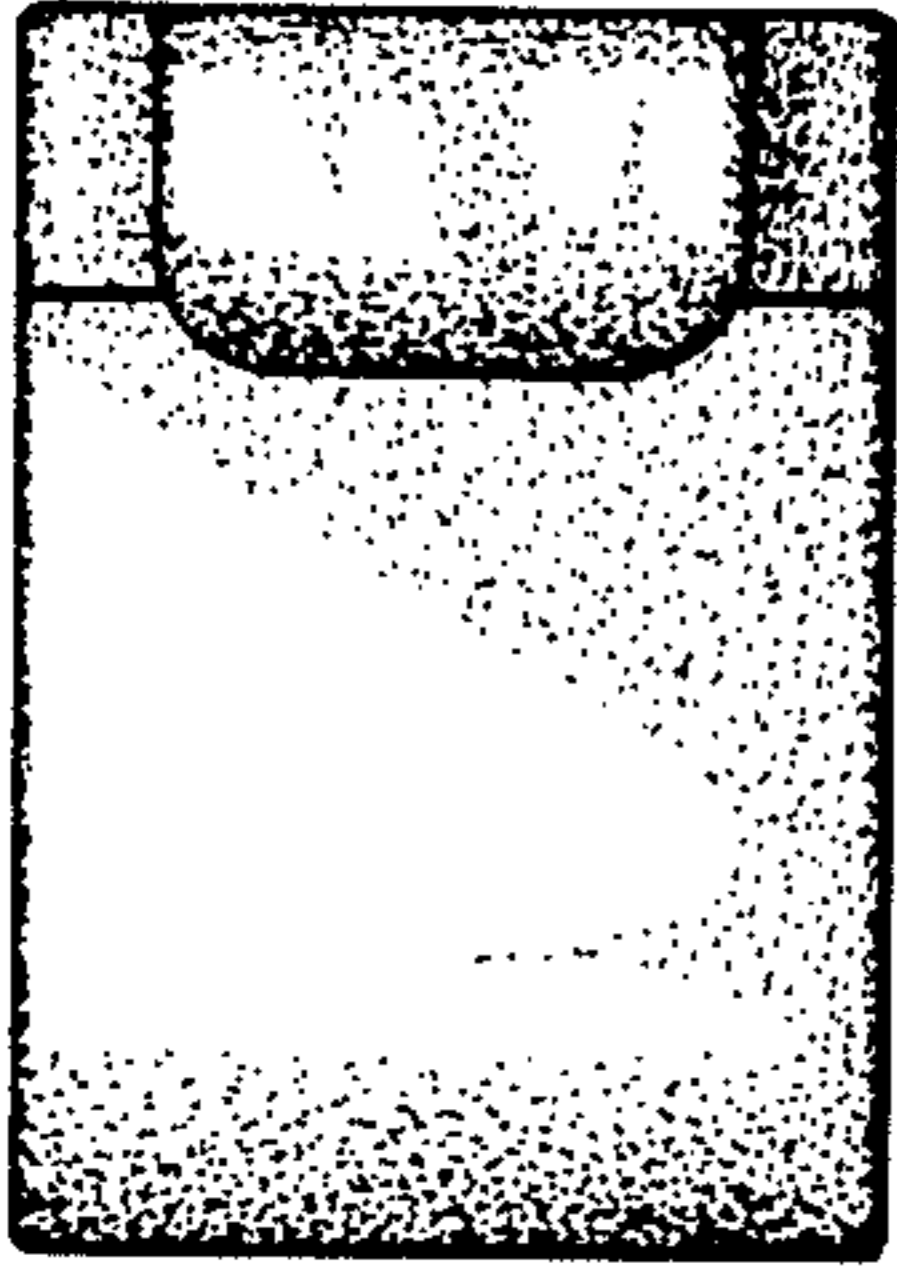


FIG. 2.

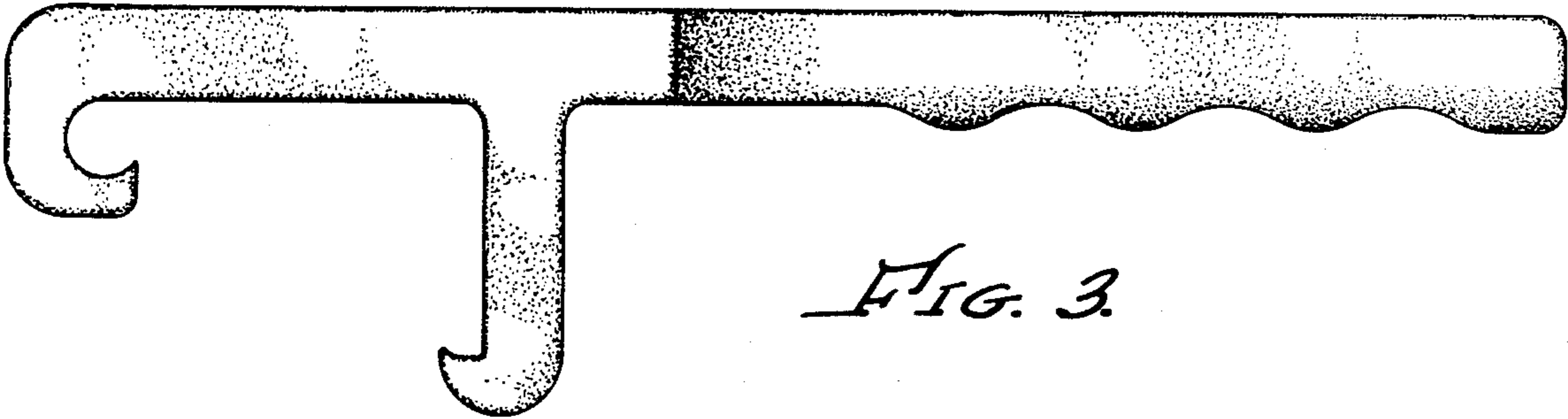


FIG. 3.

FIG. 4.

