

[54] HAND-HELD VACUUM CLEANER

[75] Inventor: Marvin Cooper, New Rochelle, N.Y.

[73] Assignee: Dynamic Classics, Ltd., New York, N.Y.

[**] Term: 14 Years

[21] Appl. No.: 877,415

[22] Filed: Feb. 13, 1978

[51] Int. Cl. D7-05; D28-03

[52] U.S. Cl. D7/164; D28/13

[58] Field of Search D7/161, 164; D15/52, D15/53, 54, 55; D28/13; 15/320, 344

[56] References Cited

U.S. PATENT DOCUMENTS

D. 250,115 10/1978 Kawamura D15/52

FOREIGN PATENT DOCUMENTS

2634556 12/1977 Fed. Rep. of Germany 15/344

Primary Examiner—Catherine E. Kemper
Attorney, Agent, or Firm—Amster, Rothstein & Engelberg

[57] CLAIM

The ornamental design for a hand-held vacuum cleaner, substantially as shown and described.

DESCRIPTION

FIG. 1 is a side elevational view of a hand-held vacuum cleaner showing my new design; FIG. 2 is a top plan view thereof; FIG. 3 is a rear elevational view thereof; FIG. 4 is a bottom plan view thereof; and FIG. 5 is a front elevational view thereof. The undisclosed side is a mirror image of the side shown in FIG. 1. The conventional electric cord has been shown fragmentarily in all views for convenience of illustration.

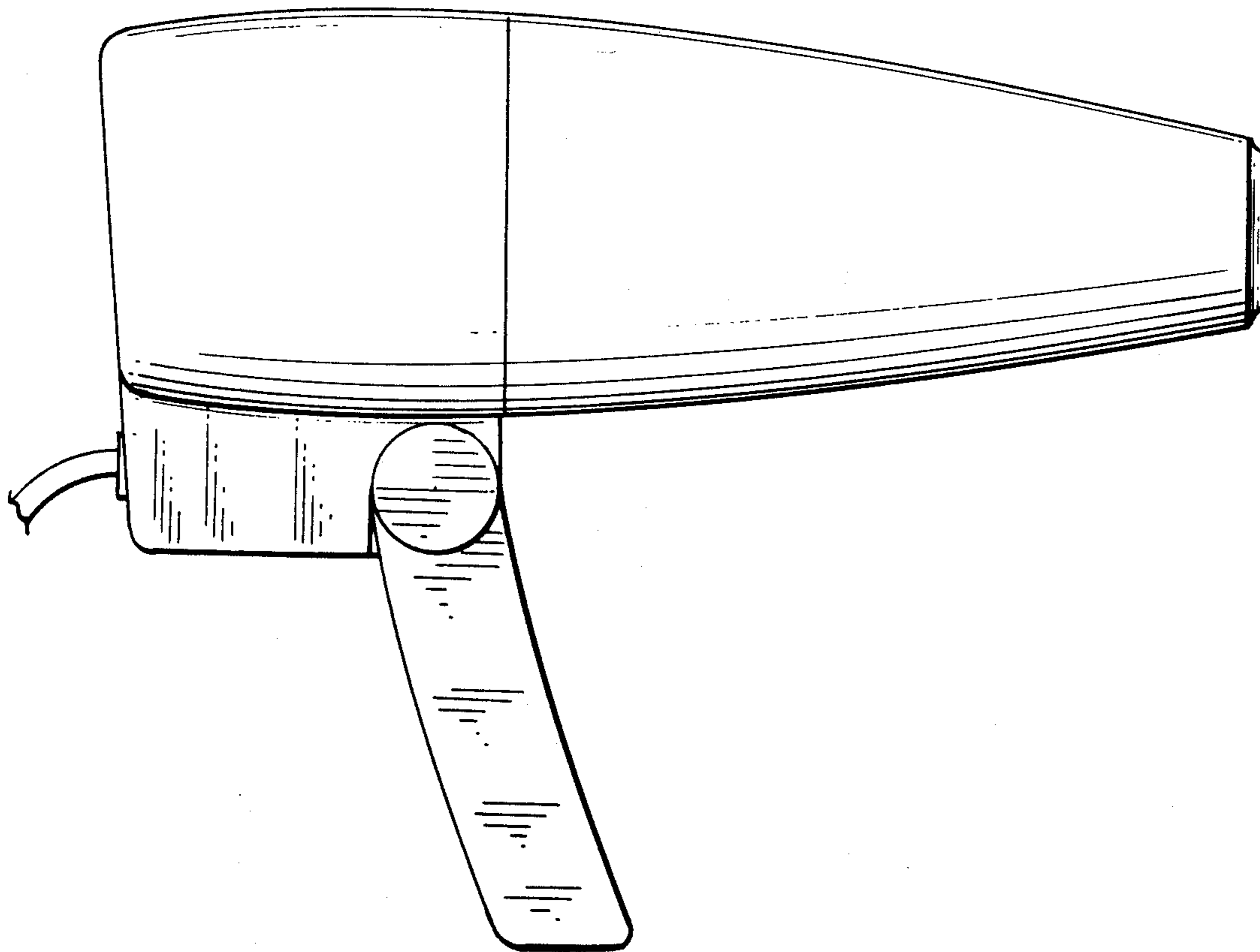


FIG. 1

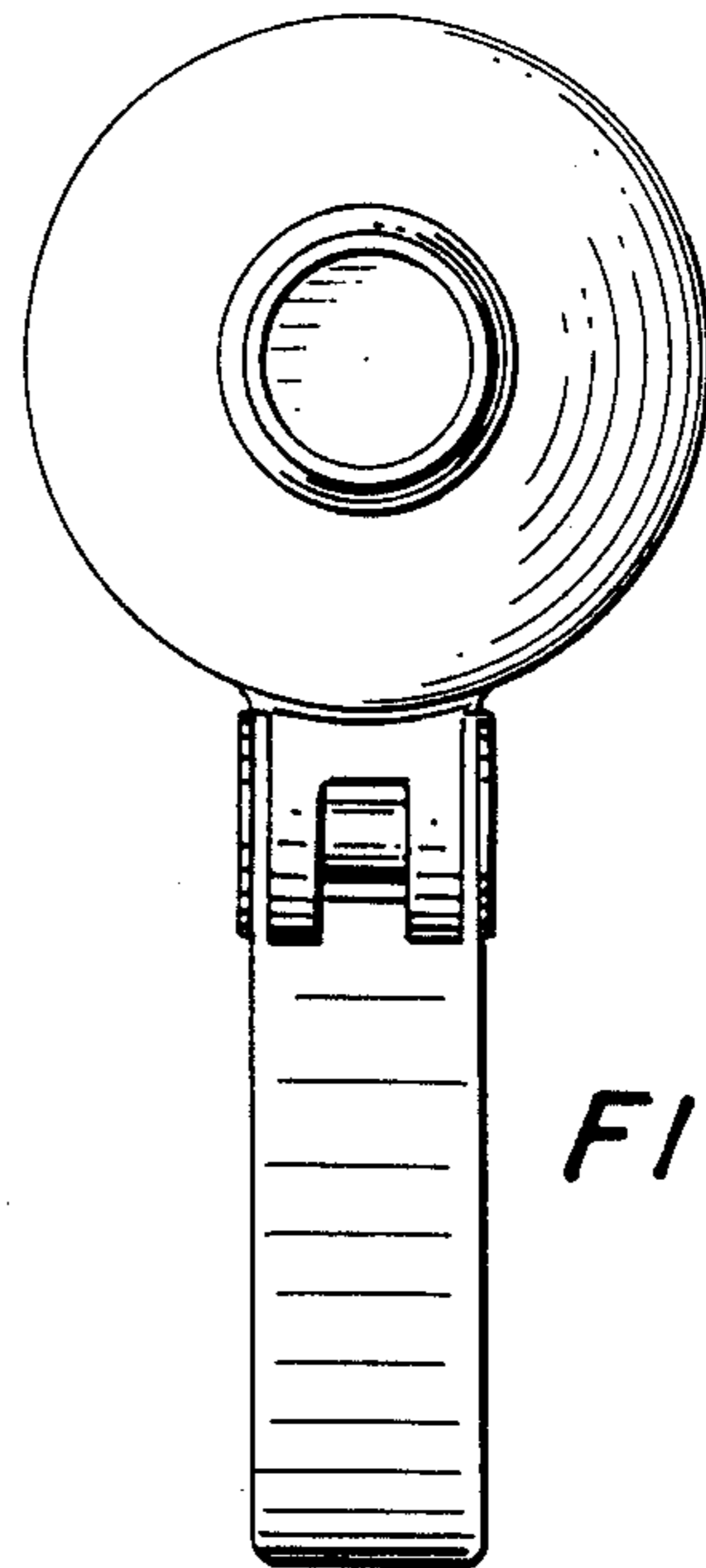
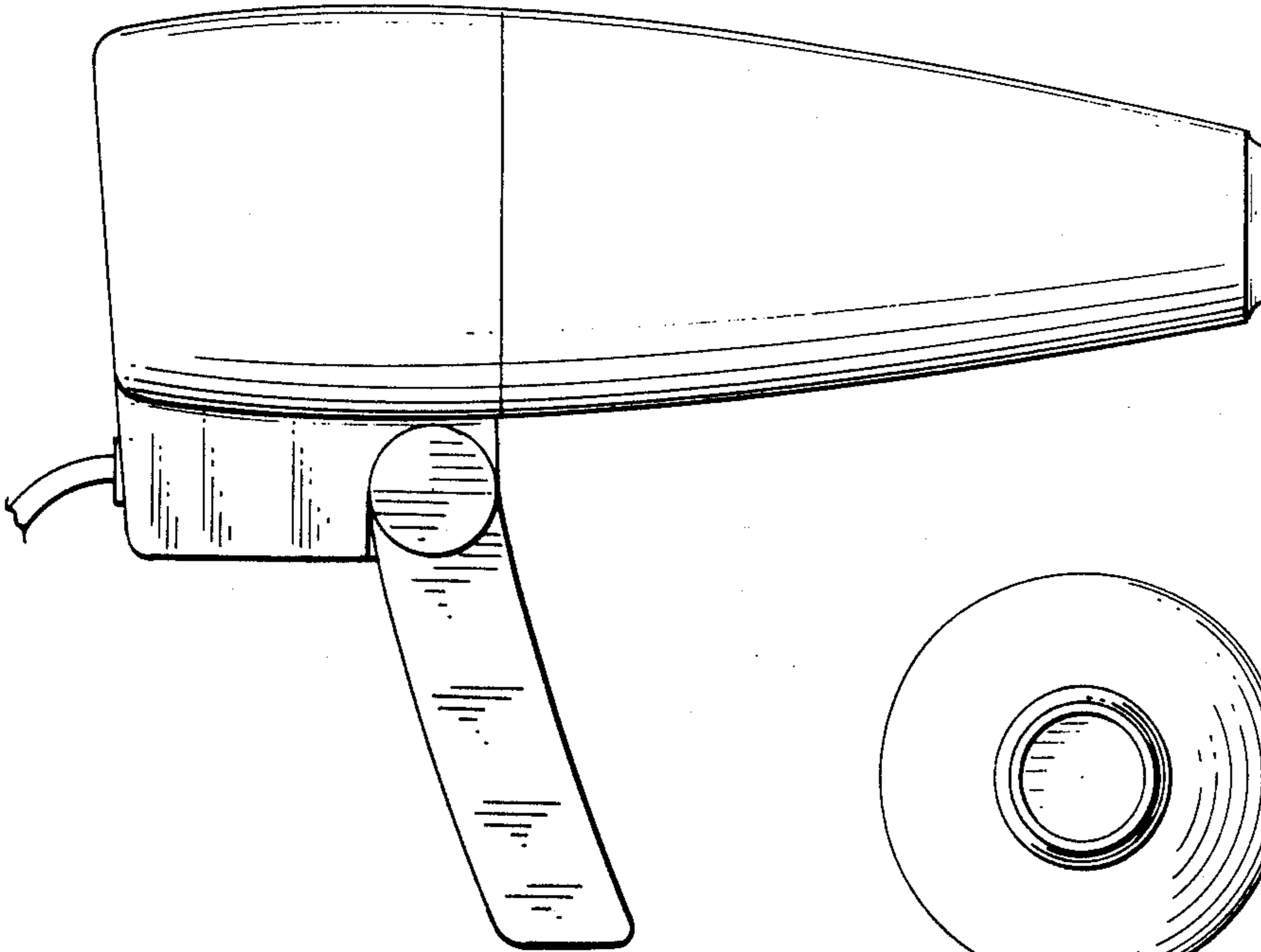


FIG. 3

FIG. 2

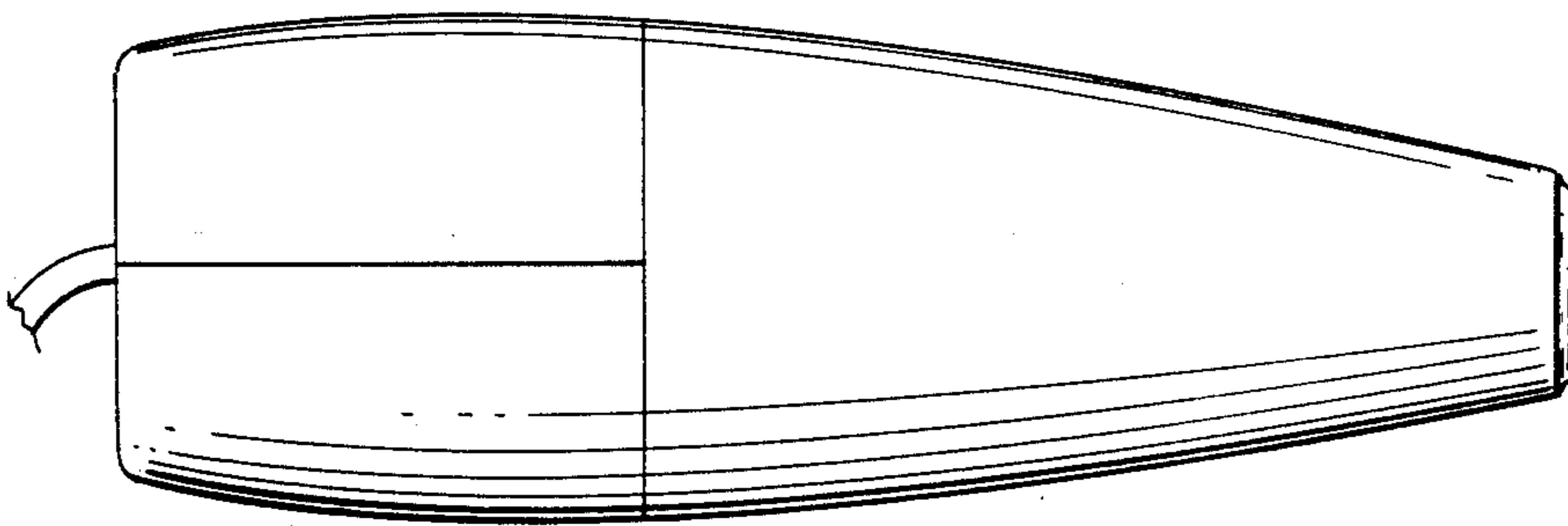


FIG. 4

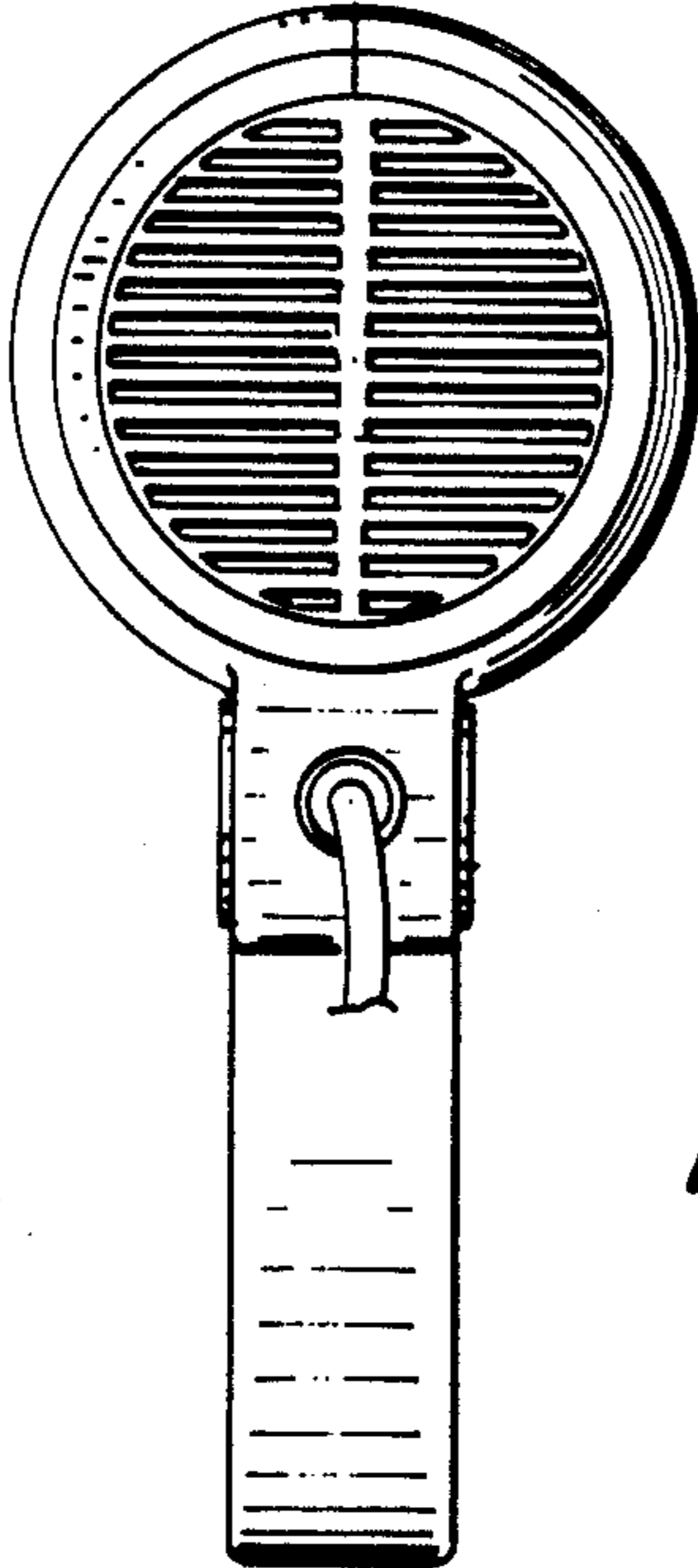
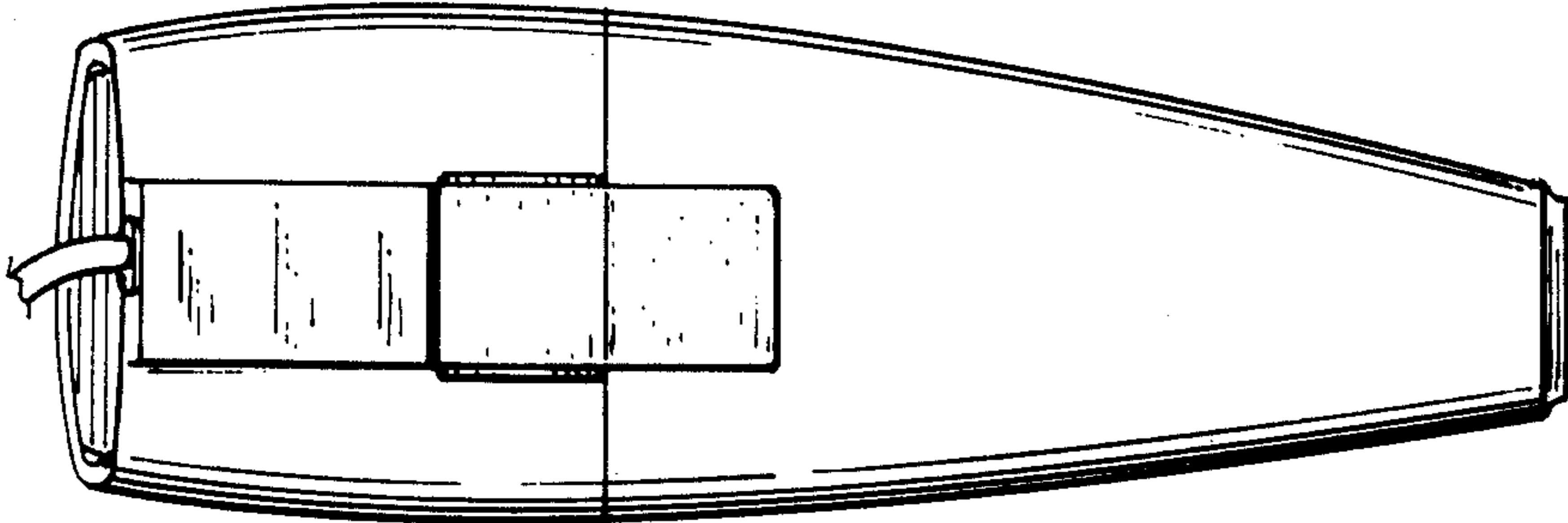


FIG. 5