

[54] TABLE

[76] Inventor: Gabriella Crespi, Via Turati, 3, Milan, Italy

[\*\*] Term: 14 Years

[21] Appl. No.: 840,466

[22] Filed: Oct. 7, 1977

[51] Int. Cl. .... D6-03

[52] U.S. Cl. .... D6/177; D6/27; D6/146

[58] Field of Search ..... D6/20, 27, 146-149, D6/175-179, 191

[56] References Cited

U.S. PATENT DOCUMENTS

- D. 119,609 3/1940 Cret ..... D6/177
- D. 175,651 9/1955 Schwartz ..... D6/179

- D. 193,192 7/1962 Blevins ..... D6/179 X
- D. 238,020 12/1975 Gold ..... D6/177 X
- D. 243,303 2/1977 Jackson ..... D6/177

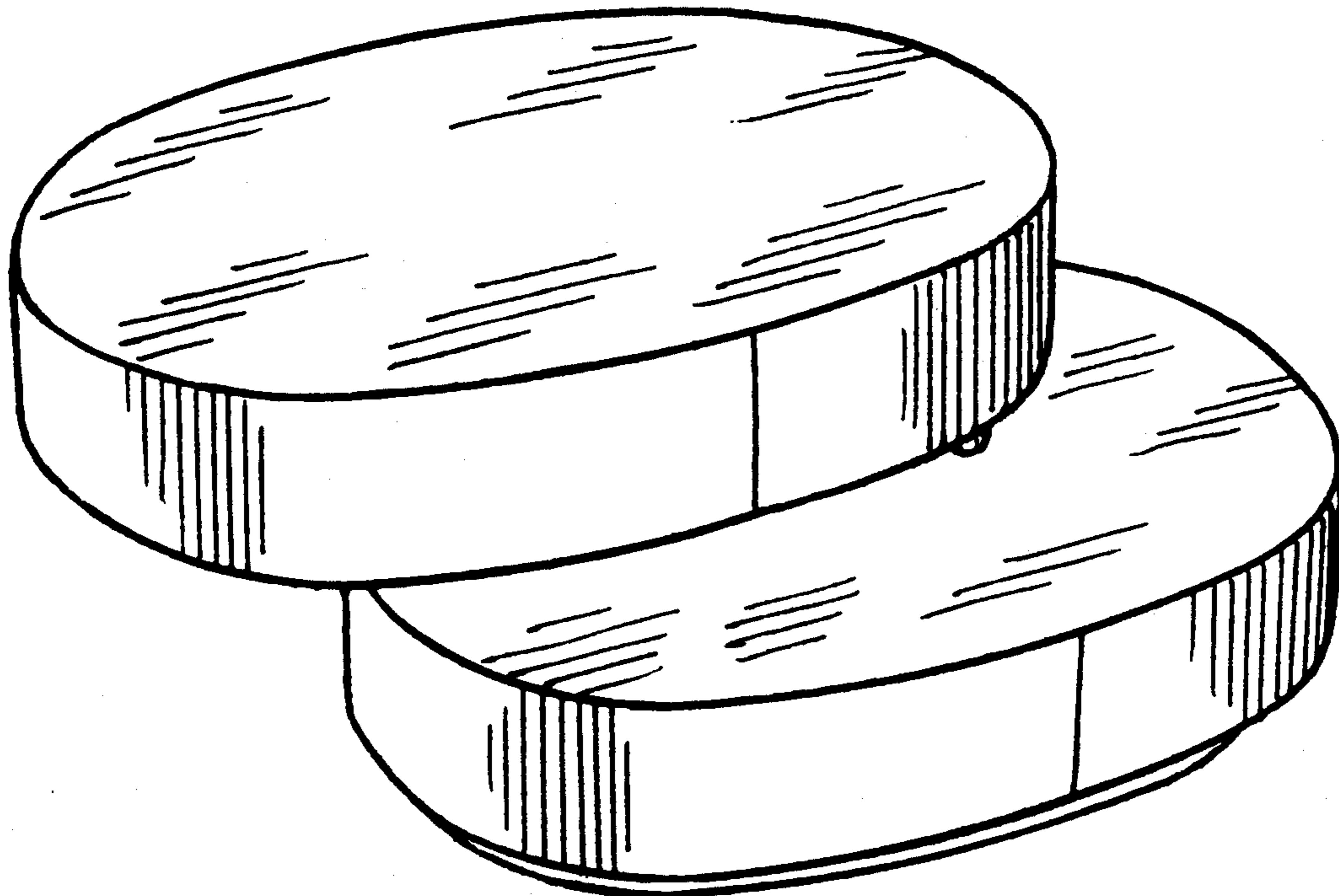
Primary Examiner—Bruce W. Dunkins  
Attorney, Agent, or Firm—Guido Modiano; Albert Josif

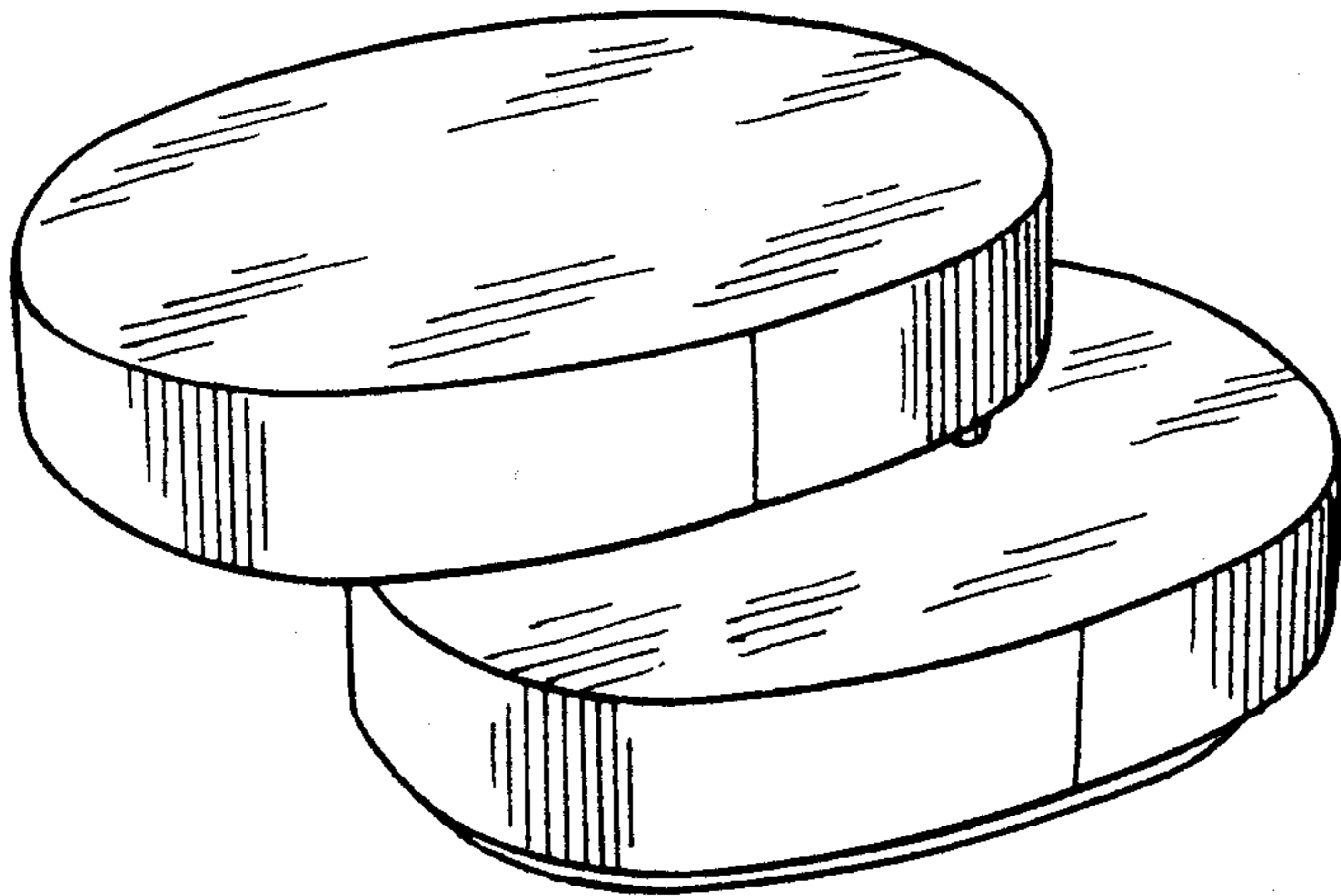
[57] CLAIM

The ornamental design for a table, as shown and described.

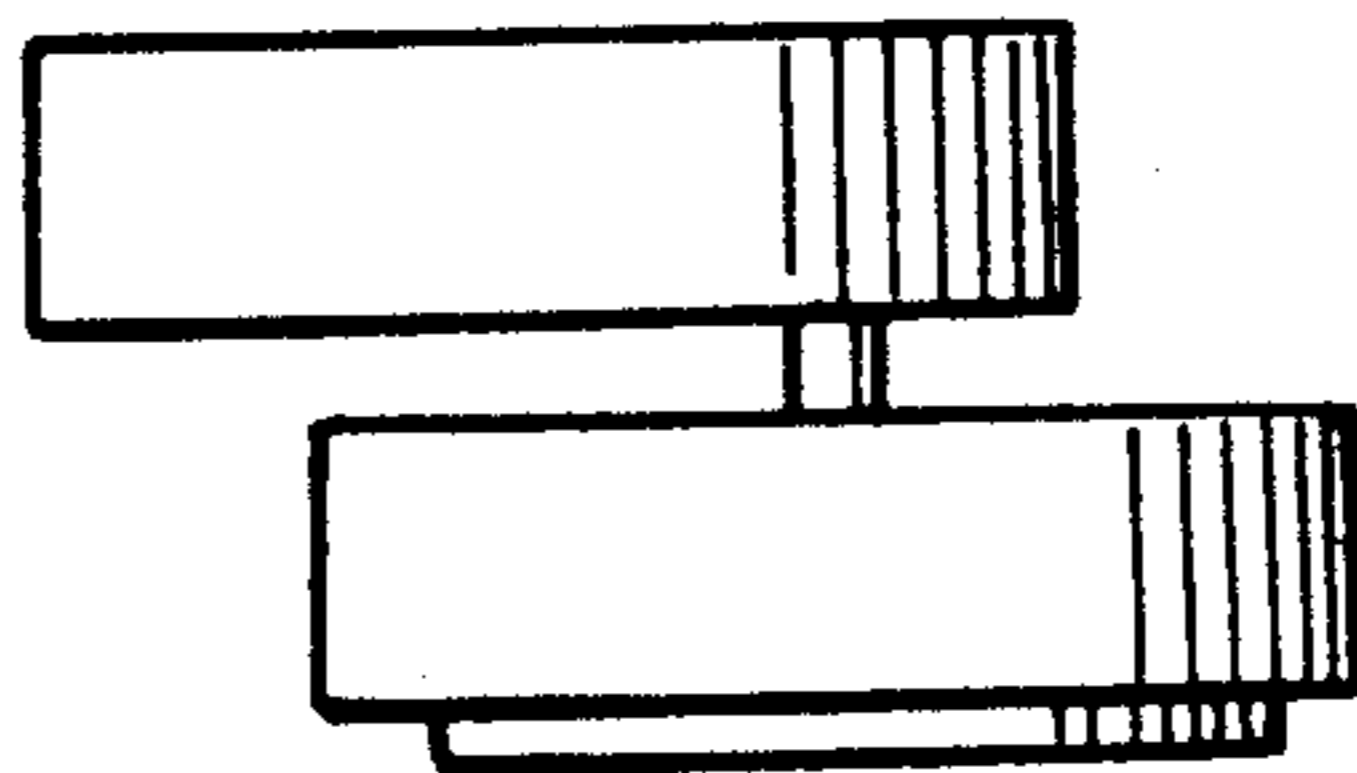
DESCRIPTION

FIG. 1 is a perspective view of a table showing my design;  
 FIG. 2 is a plan view from above;  
 FIG. 3 is a front view;  
 FIG. 4 is a lateral view.  
 The end of the table not shown in FIG. 4 is a mirror image of the end shown while the undisclosed rear surfaces are plain and unornamented.

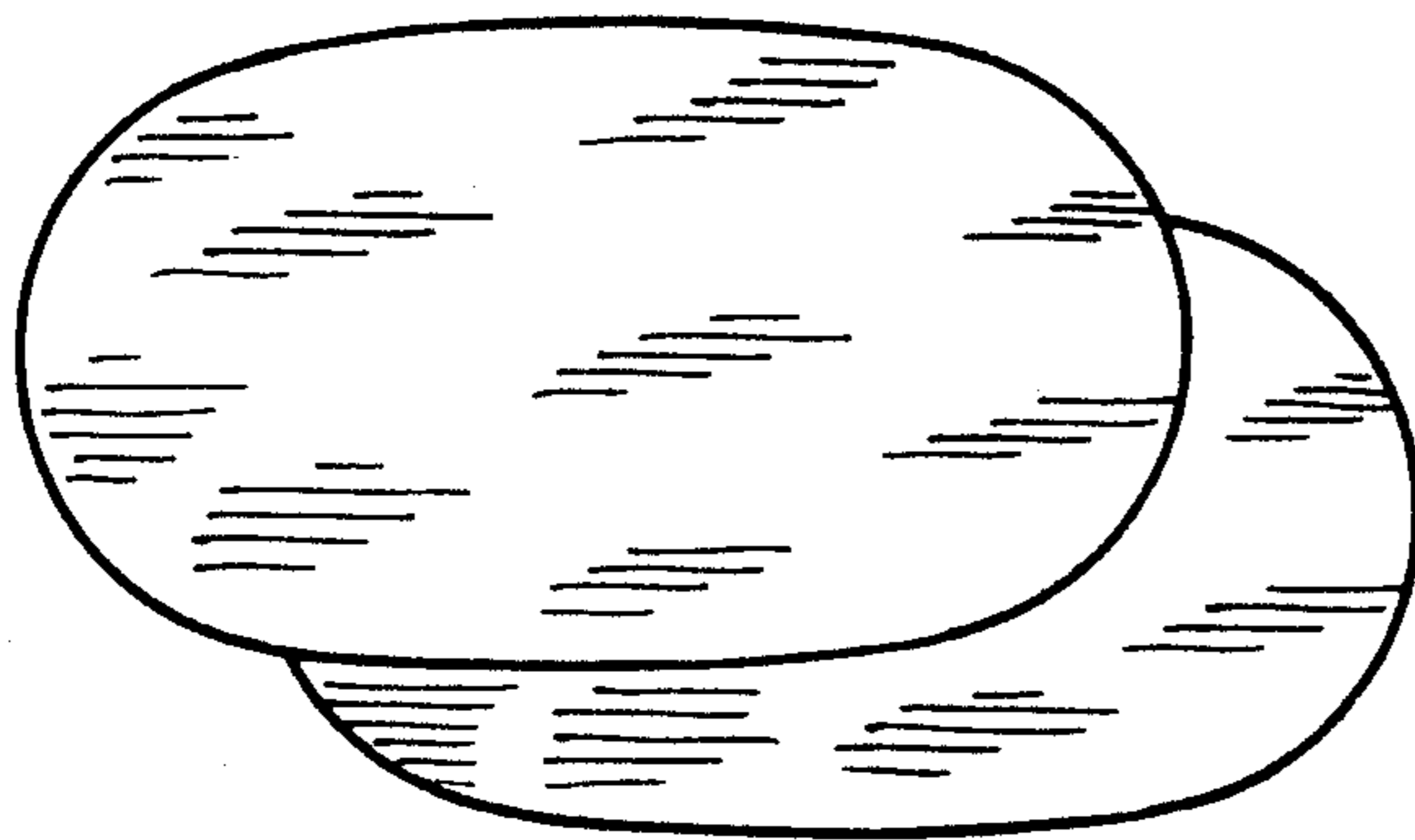




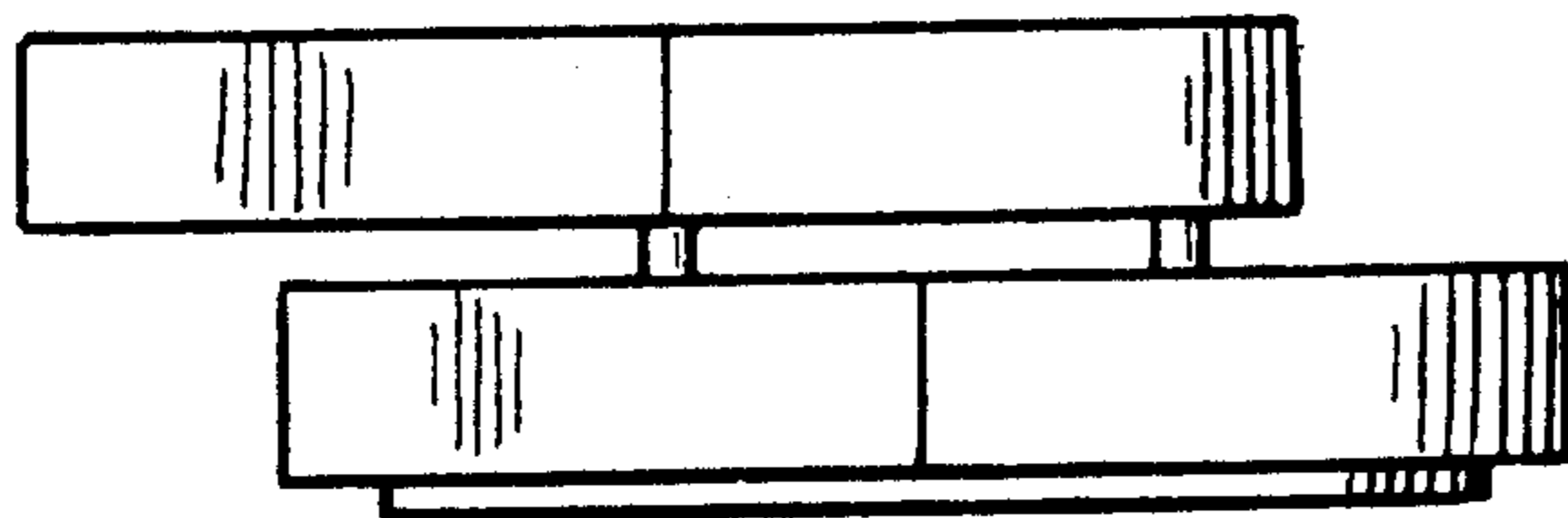
*Fig. 1*



*Fig. 4*



*Fig. 2*



*Fig. 3*