

[54] COSTUME

[76] Inventor: Troy E. Sloan, 3634 E. Donner Ave., Fresno, Calif. 93726

[**] Term: 14 Years

[21] Appl. No.: 817,560

[22] Filed: Jul. 21, 1977

[51] Int. Cl. D2-02

[52] U.S. Cl. D2/79; D21/77

[58] Field of Search D2/25, 79, 215; D12/77; D34/15 DD, 15 HH; 46/79; D21/77

[56] References Cited

U.S. PATENT DOCUMENTS

D. 120,931	6/1940	Holden et al.	D12/77
D. 179,653	2/1957	Passell	D34/15 DD
D. 238,349	1/1976	Finn	D12/77
2,864,613	12/1958	Porter	D34/15 HH

OTHER PUBLICATIONS

Women's Day, 1-52, p. 63, top center costume, "A Prize Package At Any Party."

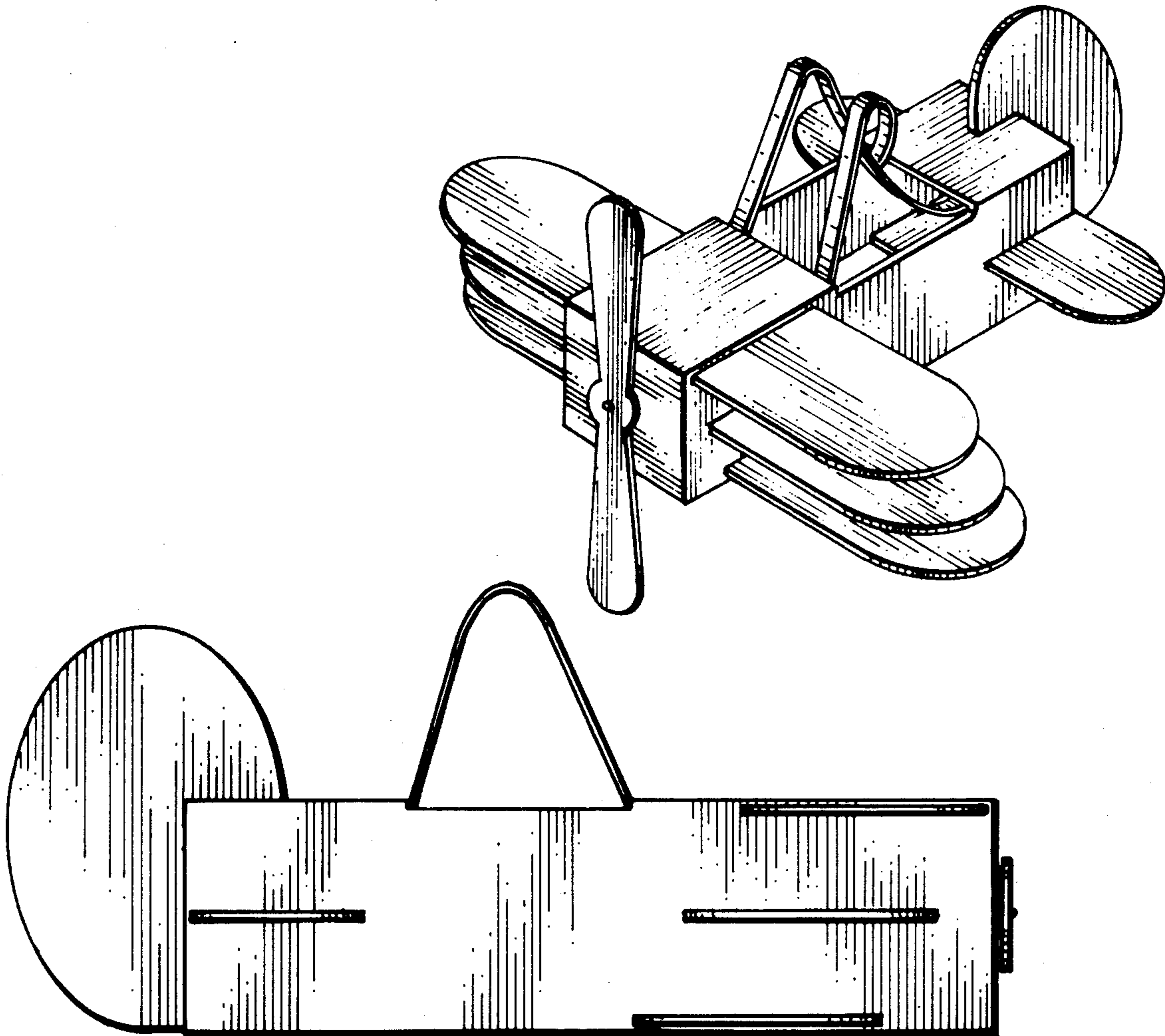
Primary Examiner—Joel Stearman
Assistant Examiner—Jane E. Corrigan
Attorney, Agent, or Firm—Warren M. Becker

[57] CLAIM

The ornamental design for a costume, as shown.

DESCRIPTION

FIG. 1 is a front, top and right side perspective view of a costume showing my new design; FIG. 2 is a top plan view; FIG. 3 is a front elevational view; FIG. 4 is a left side elevational view; FIG. 5 is a bottom plan view; FIG. 6 is a rear elevational view; and FIG. 7 is a right side elevational view.



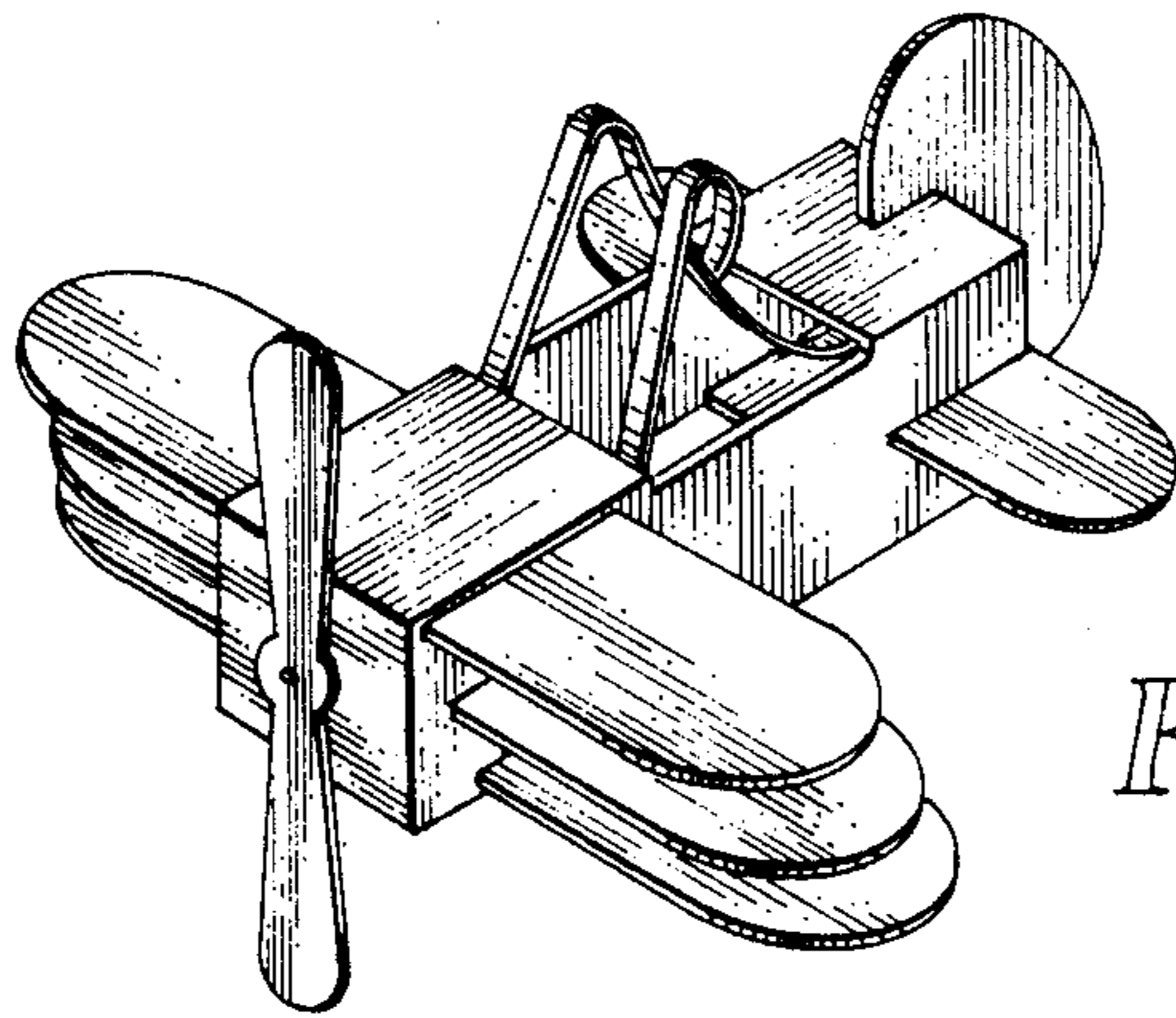


FIG. 1

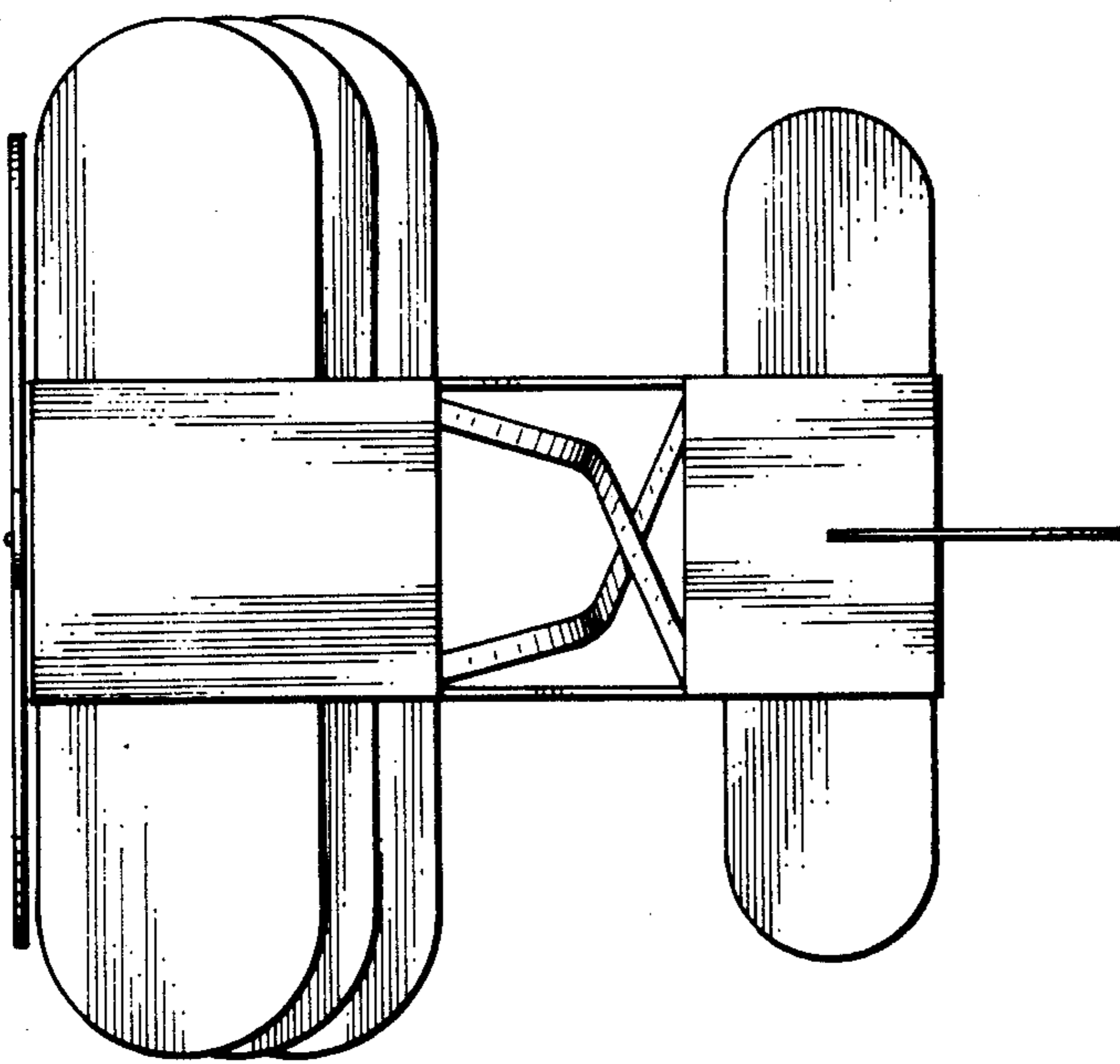
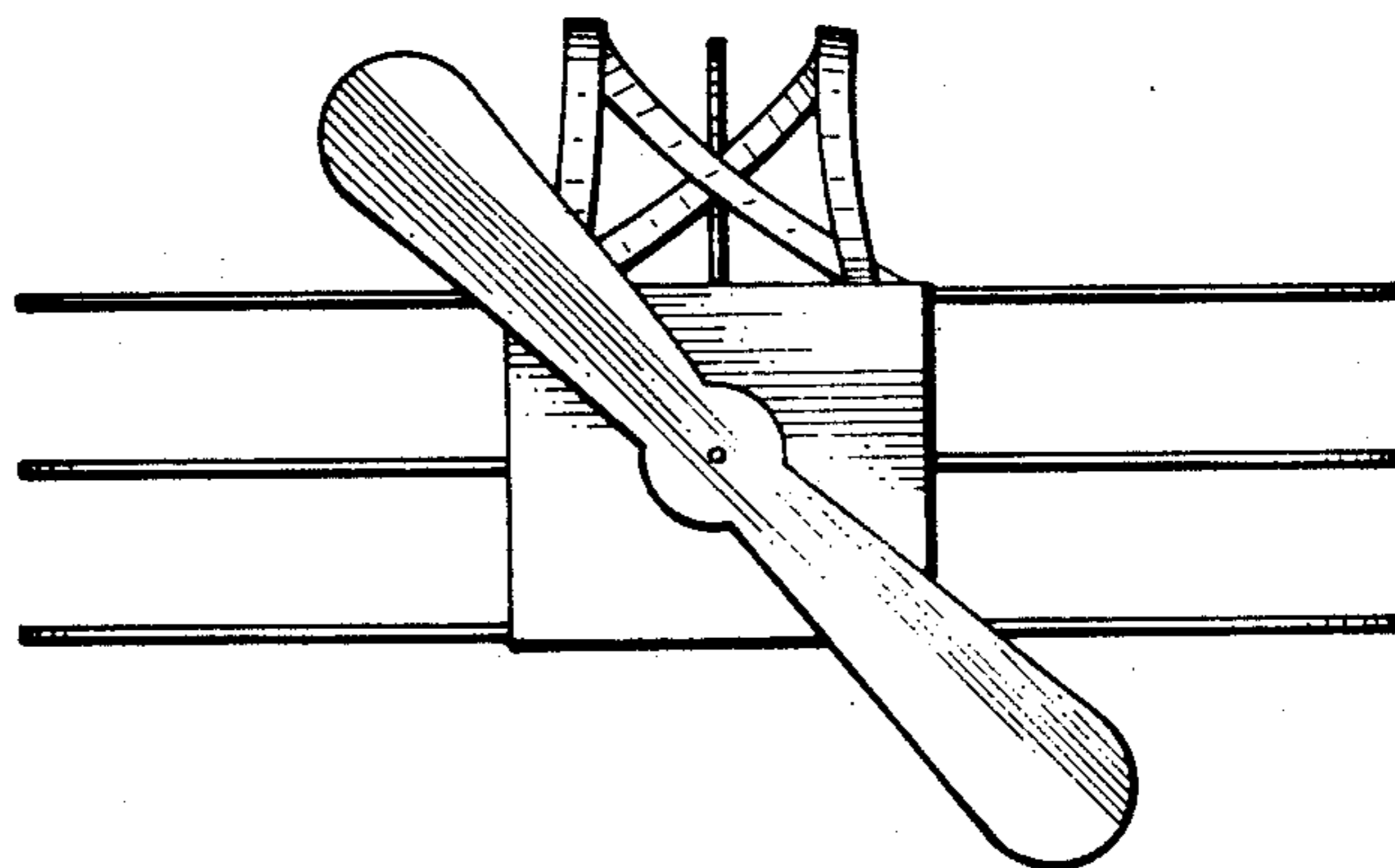


FIG. 2

FIG. 3



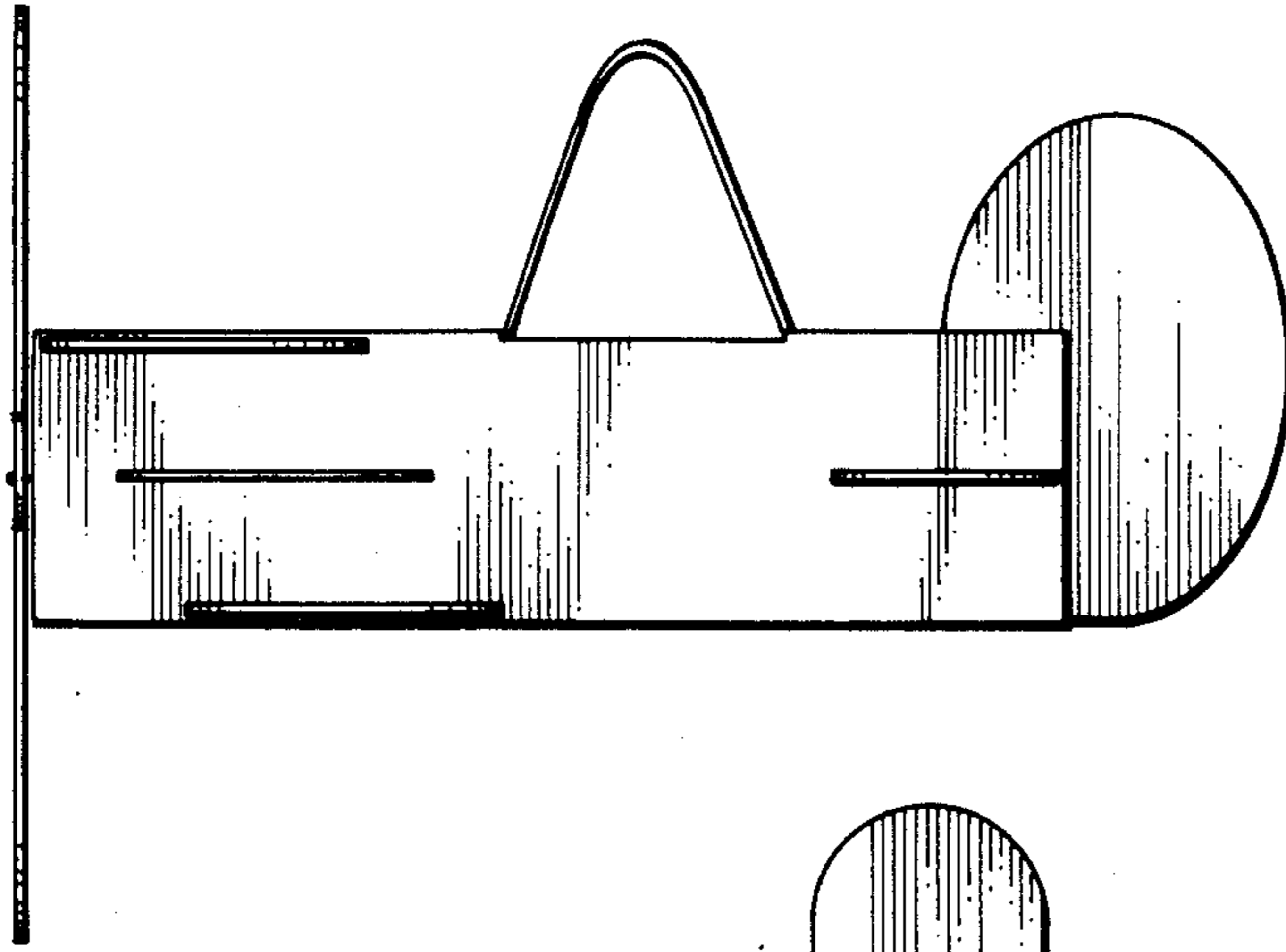


FIG. 4

FIG. 5

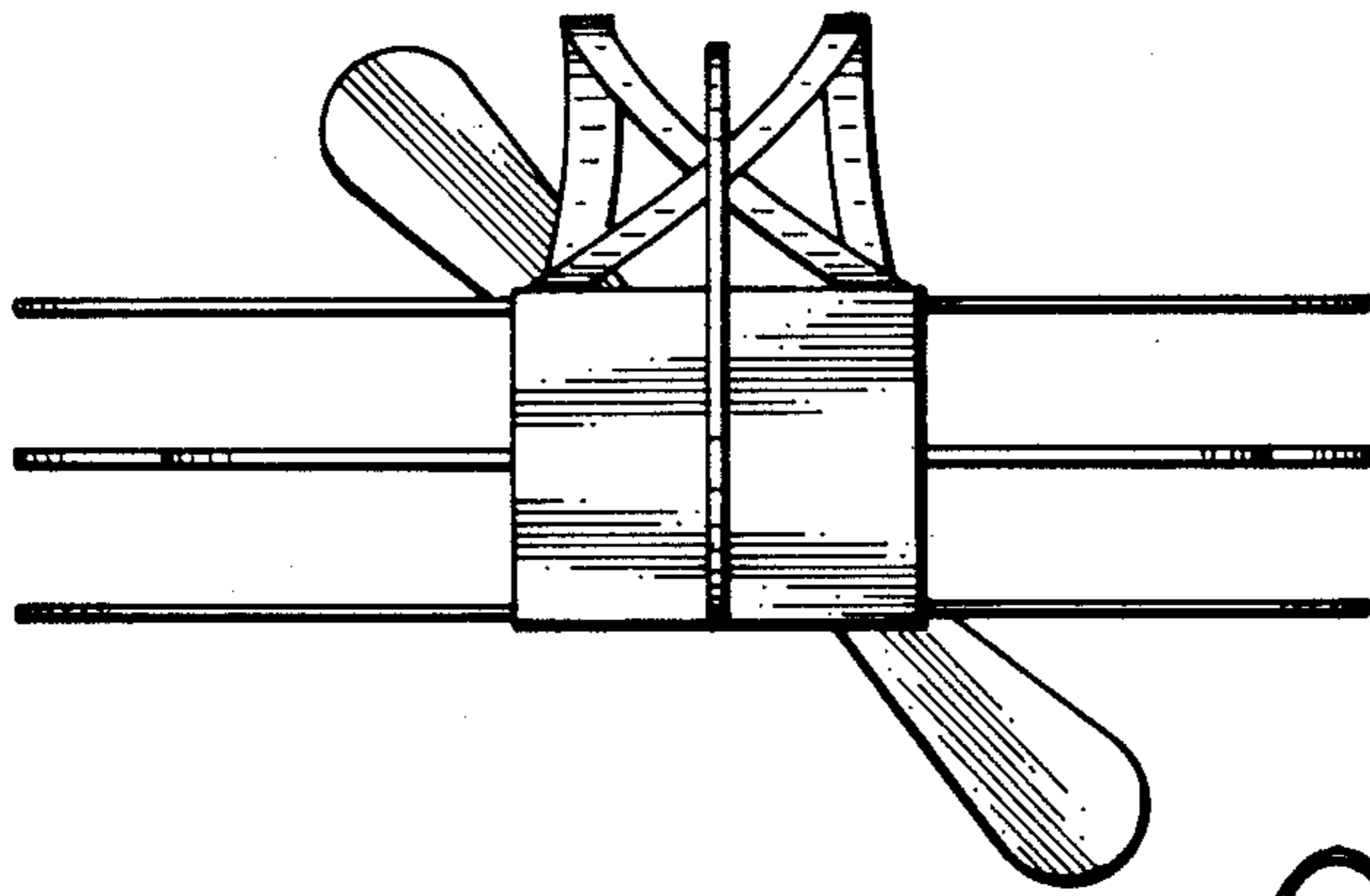
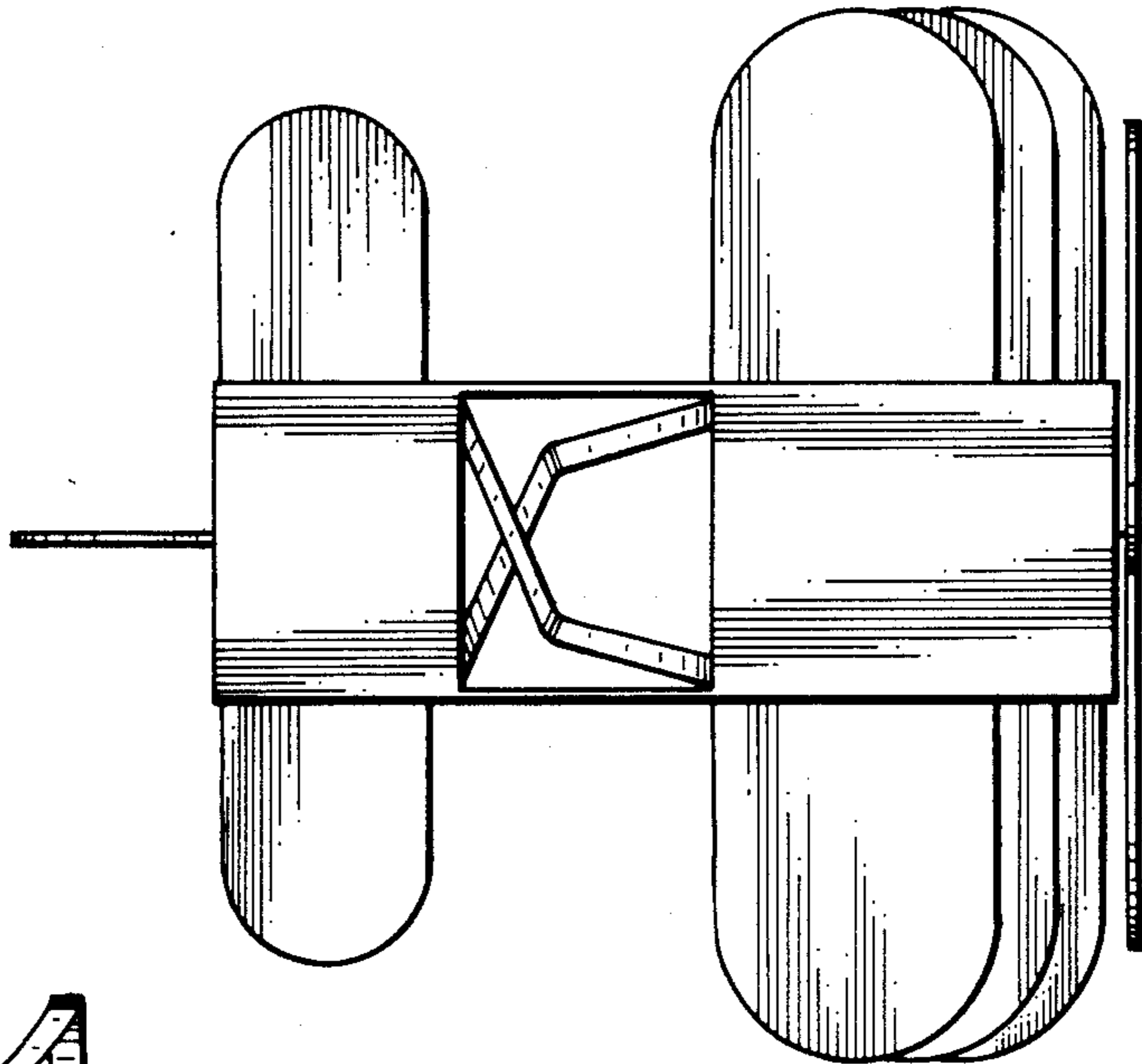


FIG. 6

FIG. 7

