

[54] HAIR CURLING IRON

[75] Inventor: Fran MacGregor, New Britain, Conn.
[73] Assignee: Clairol Incorporated, New York, N.Y.
[**] Term: 14 Years
[21] Appl. No.: 891,783
[22] Filed: Mar. 30, 1978

[51] Int. Cl. D28-03
[52] U.S. Cl. D28/35
[58] Field of Search D28/10, 13, 15, 18, D28/35, 12; 219/222, 225; 132/7, 9, 37 R, 37 A

[56] References Cited
U.S. PATENT DOCUMENTS

D. 239,663 4/1976 Long et al. D28/35 X
D. 240,089 5/1976 Rawson D28/12

OTHER PUBLICATIONS

Home Furnishings Daily, 6/27/74, sec. 1, p. 17—Shick Curling Wand at lower right.
Merchandising Week, 7/15/74, p. 26—Item 1, Sunbeam Curler at center.
Home Furnishings Daily, 1/12/76, section 2, p. 41—Sunbeam Mist-Stick at center right.
Primary Examiner—Louis S. Zarfes
Attorney, Agent, or Firm—Gerald S. Rosen; George A. Mentis

[57] CLAIM

The ornamental design for a hair curling iron, as shown.

DESCRIPTION

FIG. 1 is a top plan view of a hair curling iron showing my new design;
FIG. 2 is a left side elevational view of the hair curling iron;
FIG. 3 is a bottom plan view of the hair curling iron;
FIG. 4 is a rear elevational view of the hair curling iron; and
FIG. 5 is a front elevational view of the hair curling iron;

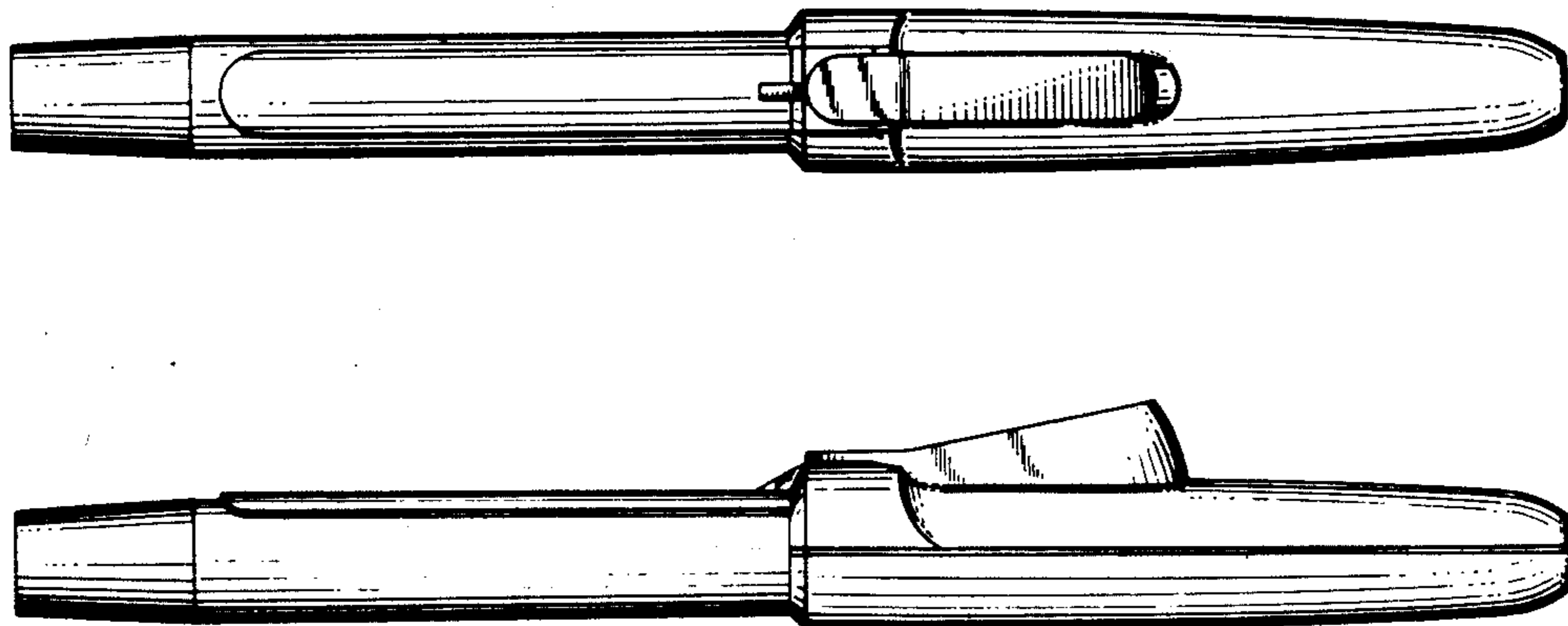


FIG. 1

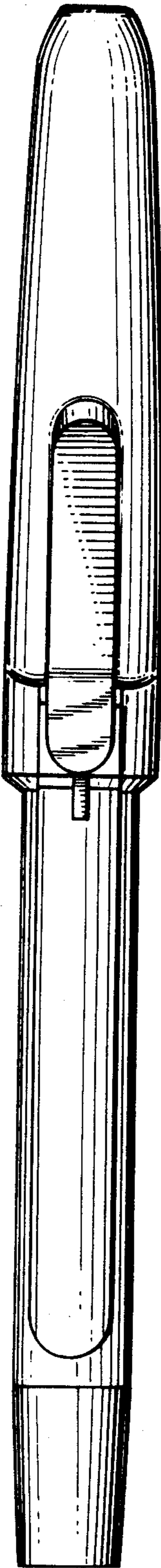


FIG. 2

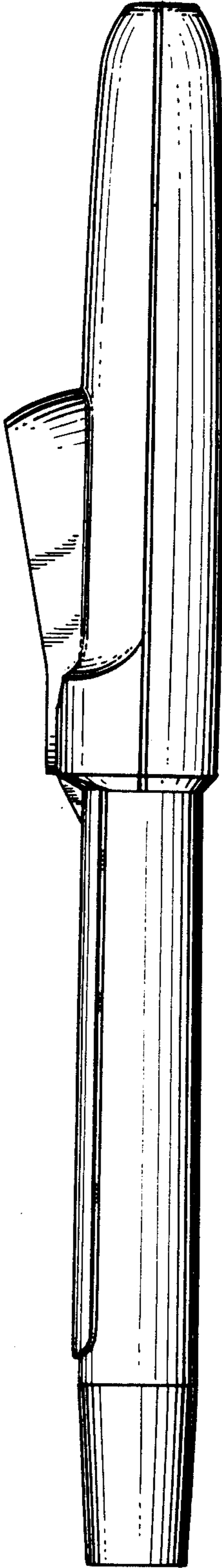


FIG. 3

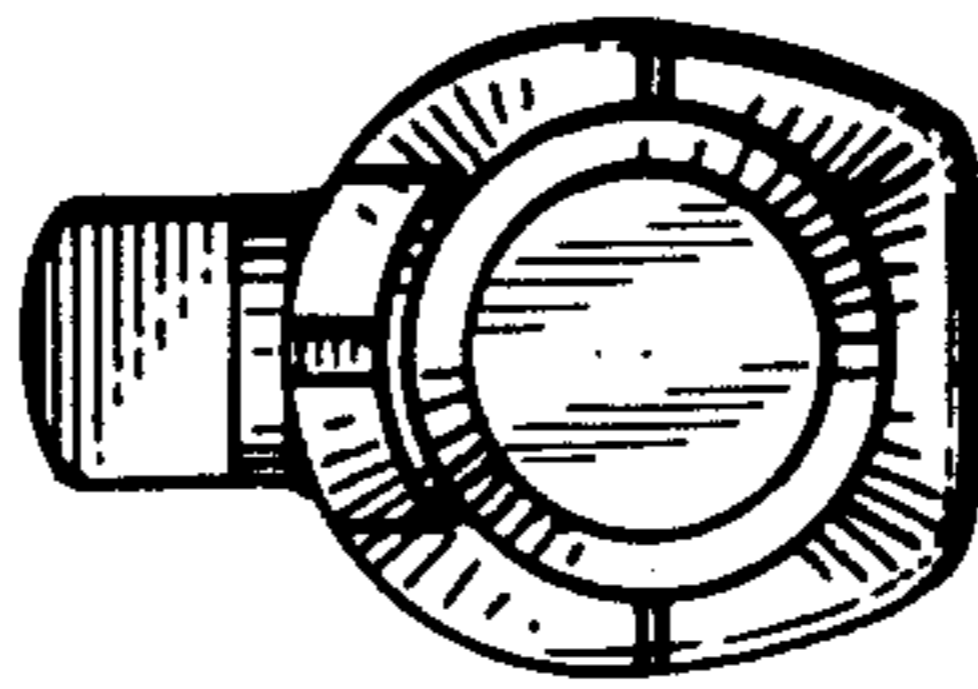
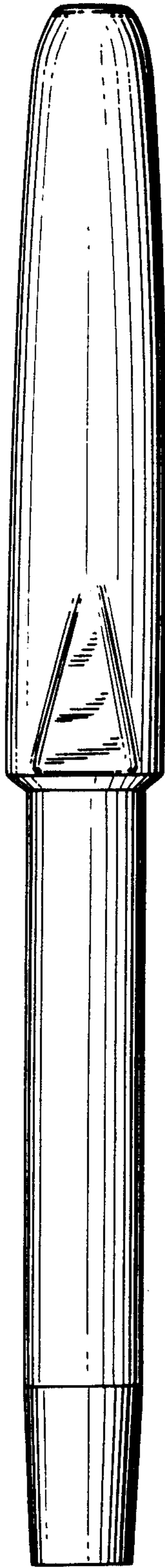


FIG. 4

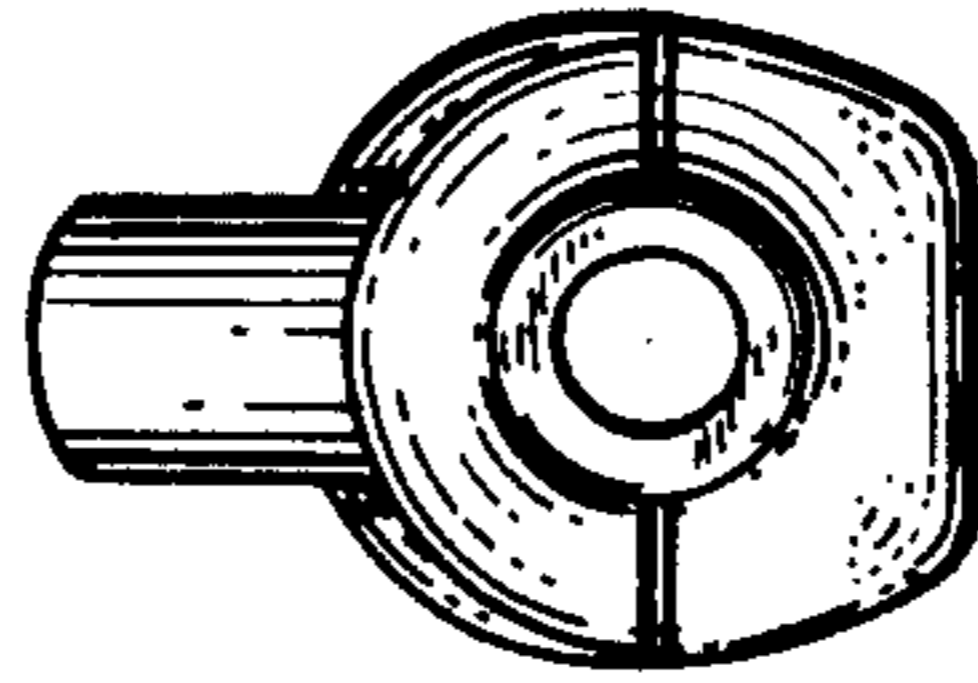


FIG. 5