

[54] DIAPER FOR BABIES

[75] Inventors: John H. Kvamme, Askim; Leif U. R. Widlund, Molnlycke; Tor A. Froidh, Stenungsund; Hans E. Walden, Goteborg, all of Sweden

[73] Assignee: Molnlycke AB, Goteborg, Sweden

[\*\*] Term: 14 Years

[21] Appl. No.: 821,610

[22] Filed: Aug. 3, 1977

[30] Foreign Application Priority Data

Feb. 4, 1977 [DK] Denmark ..... 63/77  
Feb. 4, 1977 [DK] Denmark ..... 65/77

[51] Int. Cl. .... D24-04; D2-01

[52] U.S. Cl. .... D24/50

[58] Field of Search ..... 128/284, 288, 287, 285, 128/286; D24/50, 99

[56] References Cited

U.S. PATENT DOCUMENTS

D. 121,647	7/1940	Coleman .....	D24/50
D. 231,274	4/1974	Krusko .....	D24/50
D. 231,275	4/1974	Krusko .....	D24/50
D. 237,114	10/1975	Froidh et al. ....	D24/50
3,844,288	10/1974	Kiela .....	128/287
4,051,854	10/1977	Aaron .....	128/284

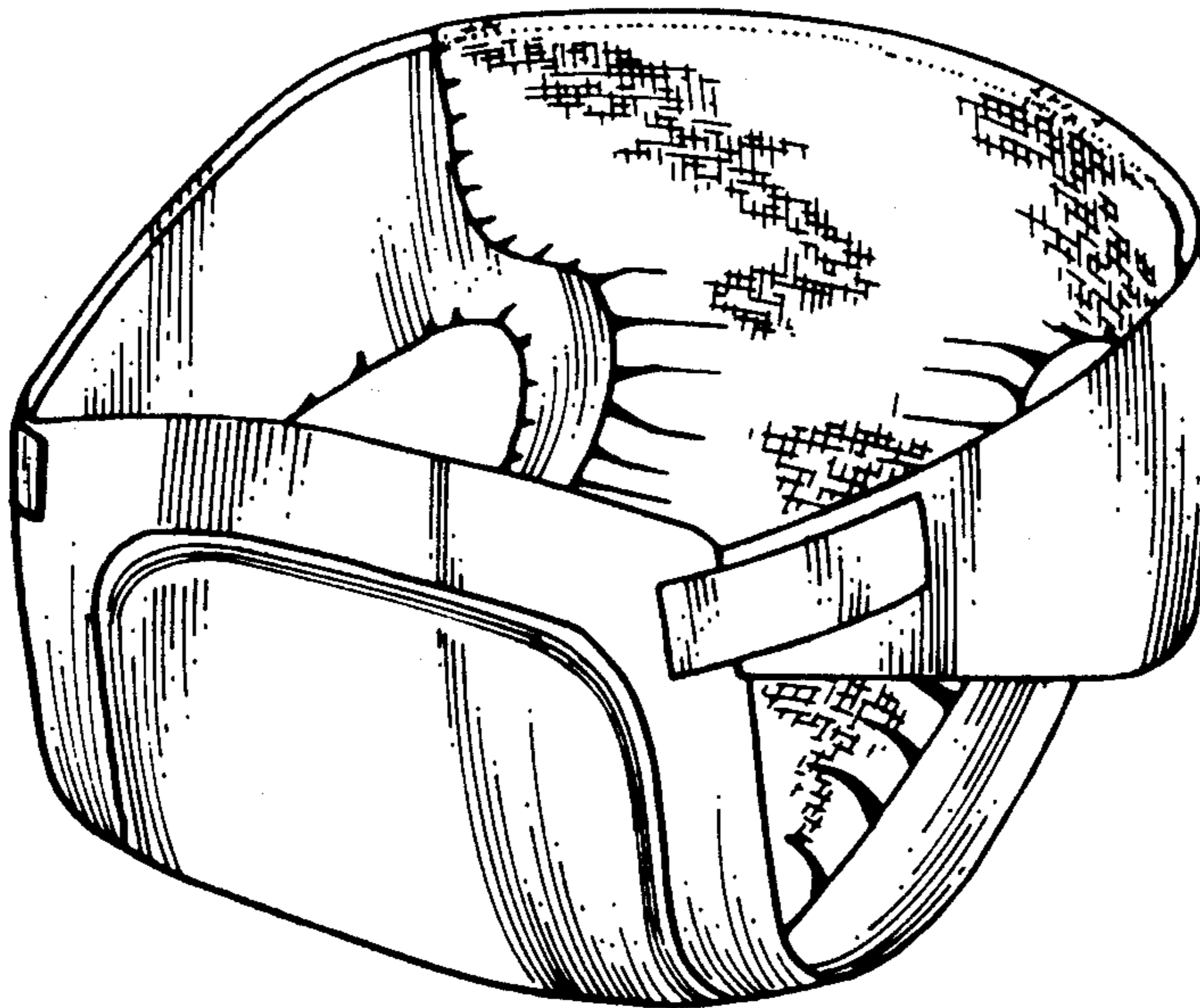
Primary Examiner—Bernard Ansher  
Attorney, Agent, or Firm—Irvin S. Thompson

[57] CLAIM

The ornamental design for a diaper for babies, as shown and described.

DESCRIPTION

FIG. 1 is a top perspective view of a diaper for babies, showing our new design;  
FIG. 2 is a bottom perspective view thereof;  
FIG. 3 is a perspective view of the diaper in a fully assembled condition; and  
FIG. 4 is a top perspective view of a modified form of diaper from that illustrated in FIG. 1, the undisclosed bottom side is identical to the view disclosed in FIG. 2.



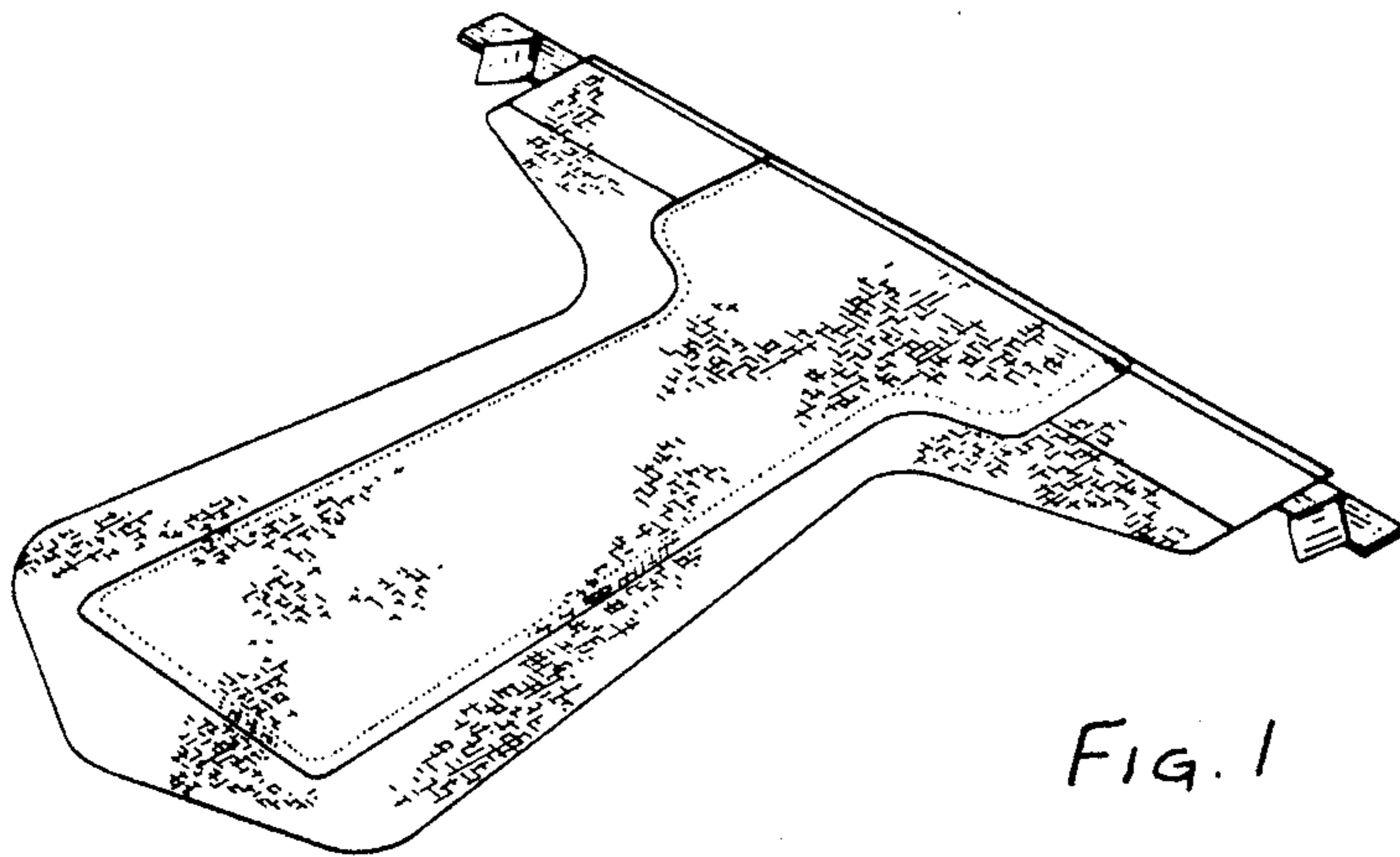


FIG. 1

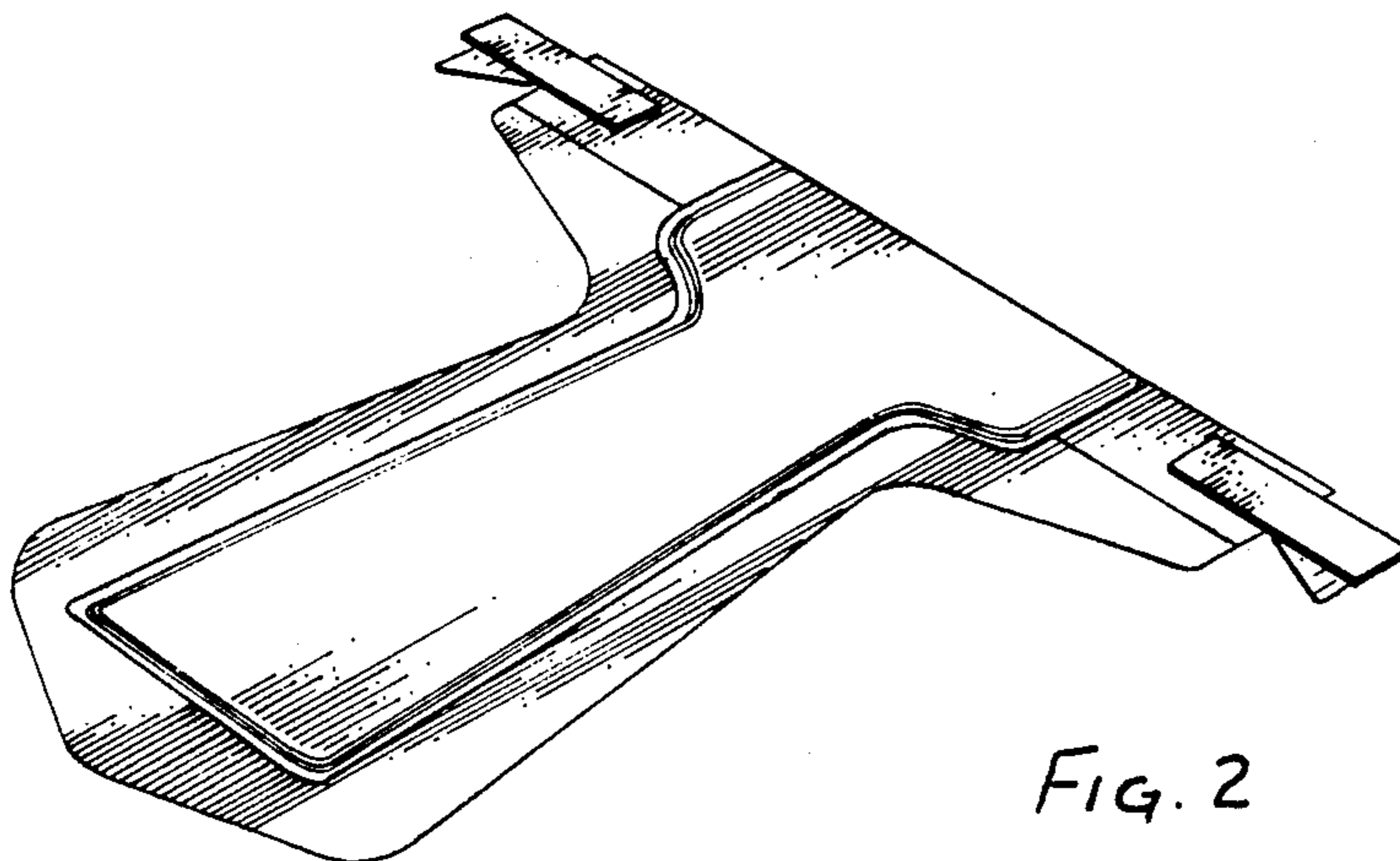


FIG. 2

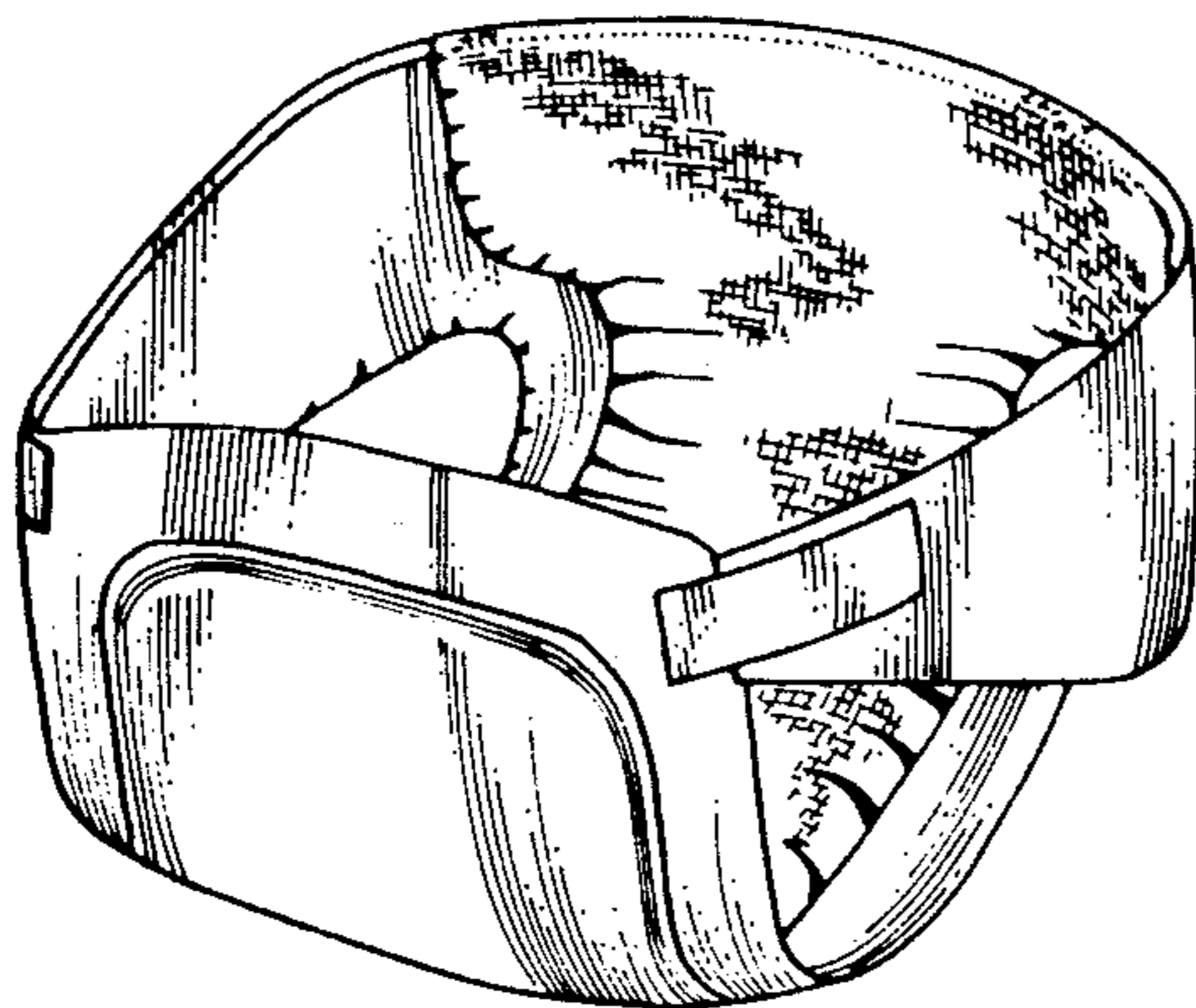


FIG. 3

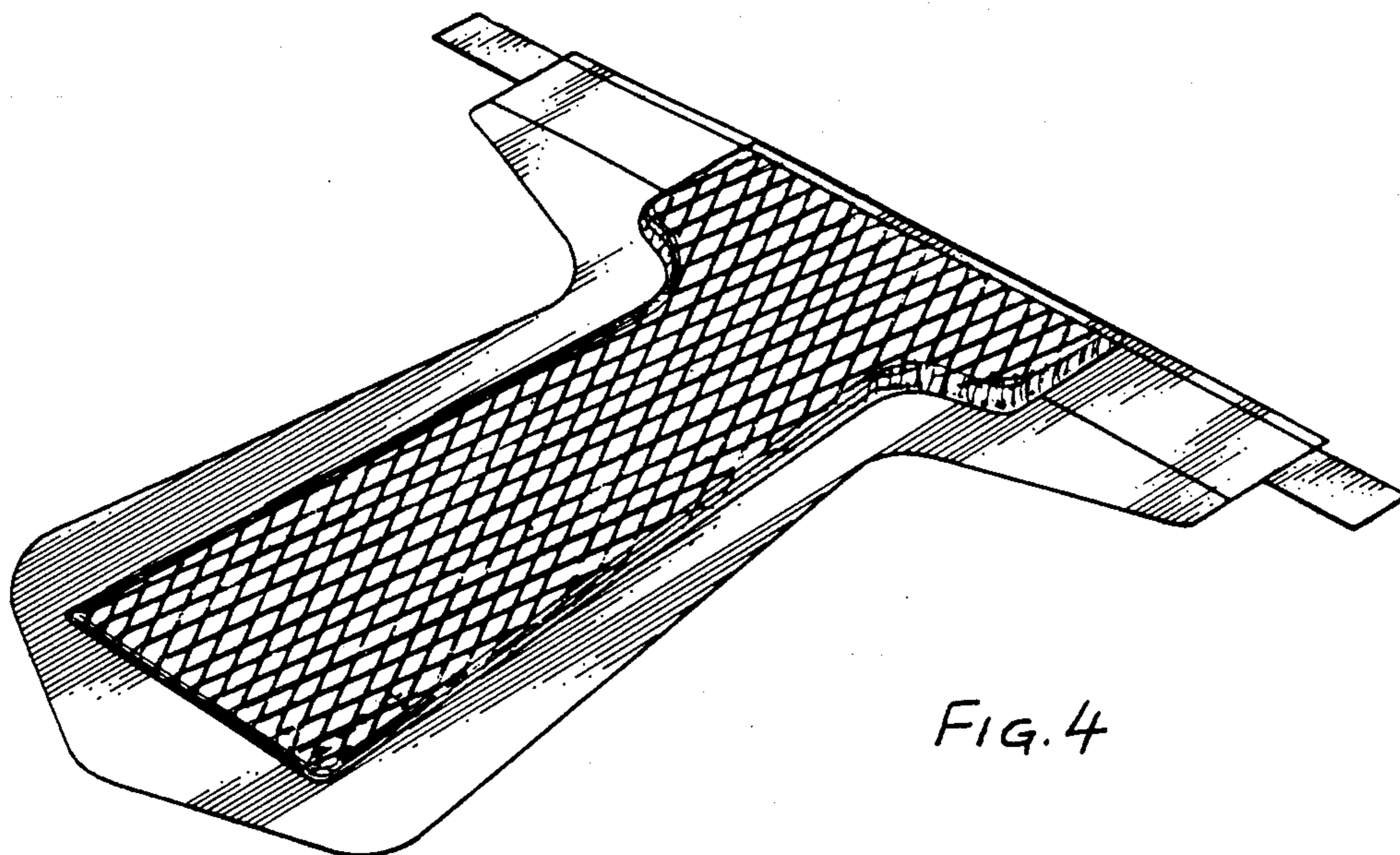


FIG. 4