

[54] ELECTRONIC HEMADYNAMOMETER

[75] Inventors: Isao Kitai; Tsutomu Yamasaki, both of Osaka, Japan

[73] Assignee: Sharp Kabushiki Kaisha (Sharp Corp.), Osaka, Japan

[**] Term: 14 Years

[21] Appl. No.: 906,312

[22] Filed: May 16, 1978

[30] Foreign Application Priority Data

Nov. 21, 1977 [JP] Japan 52-46601

[51] Int. Cl. D24-01; D24-02

[52] U.S. Cl. D24/17; D24/21; D10/85

[58] Field of Search 128/2 G, 2.05 M, 2.05 Q, 128/2.05 A; D24/17, 21; D10/84, 85; 73/700, 715, 731, 733

[56] References Cited

U.S. PATENT DOCUMENTS

D. 238,971 2/1976 Nardi et al. D24/17

D. 242,178	11/1976	Arroyo	D24/21
D. 244,235	5/1977	Lichowsky	D24/21
D. 244,316	5/1977	Bodell et al.	D24/17 X
D. 248,490	7/1978	Manno	D24/17
D. 250,046	10/1978	Ohie et al.	D24/21
2,878,715	3/1959	Rhees	128/2 G X
3,710,778	1/1973	Cornelius	128/2 G
3,848,580	11/1974	Hyden	128/2 G
4,015,594	4/1977	Siverson	128/2.05 G

Primary Examiner—Bernard Ansher

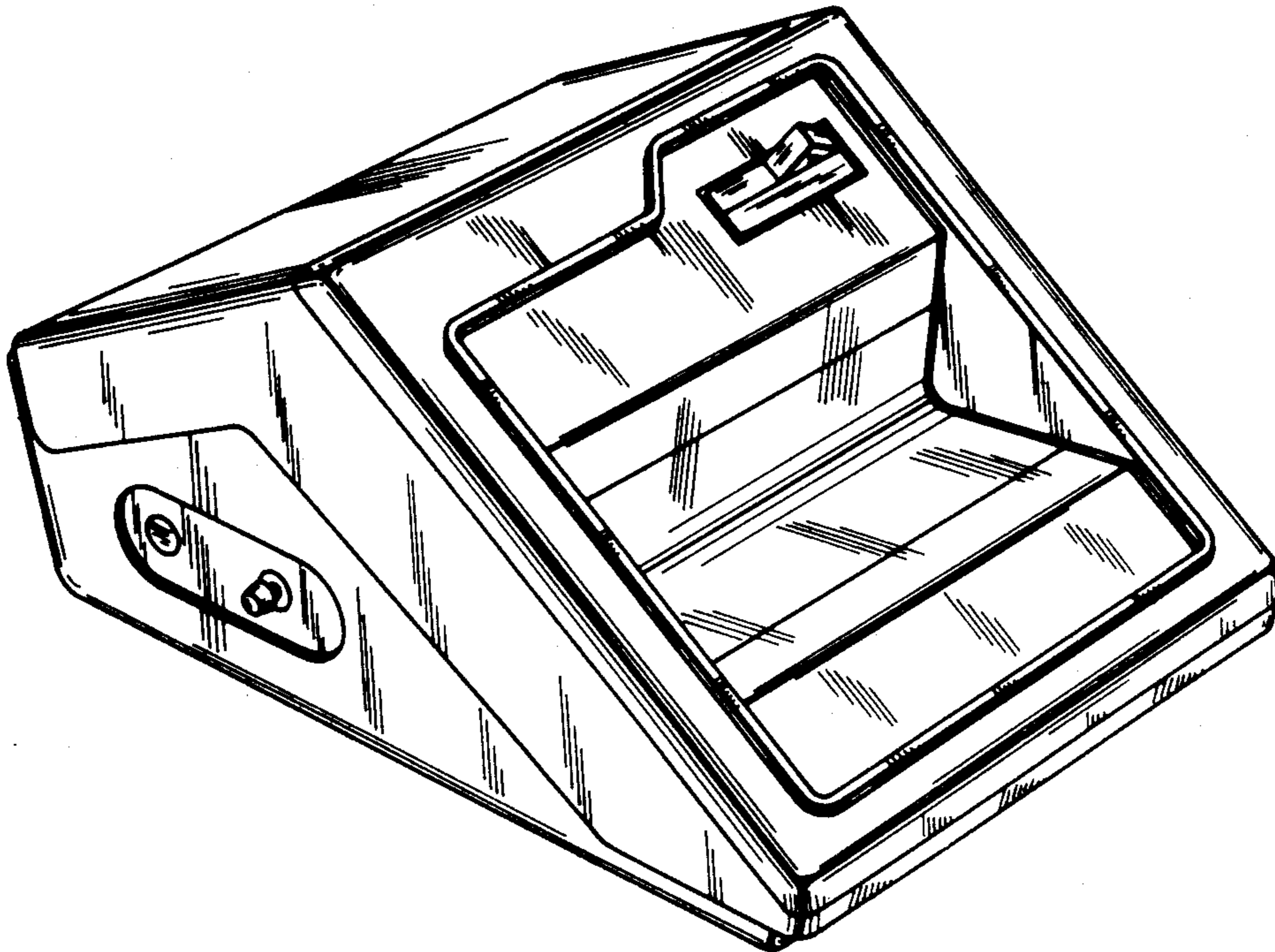
Attorney, Agent, or Firm—Flehr, Hohbach, Test

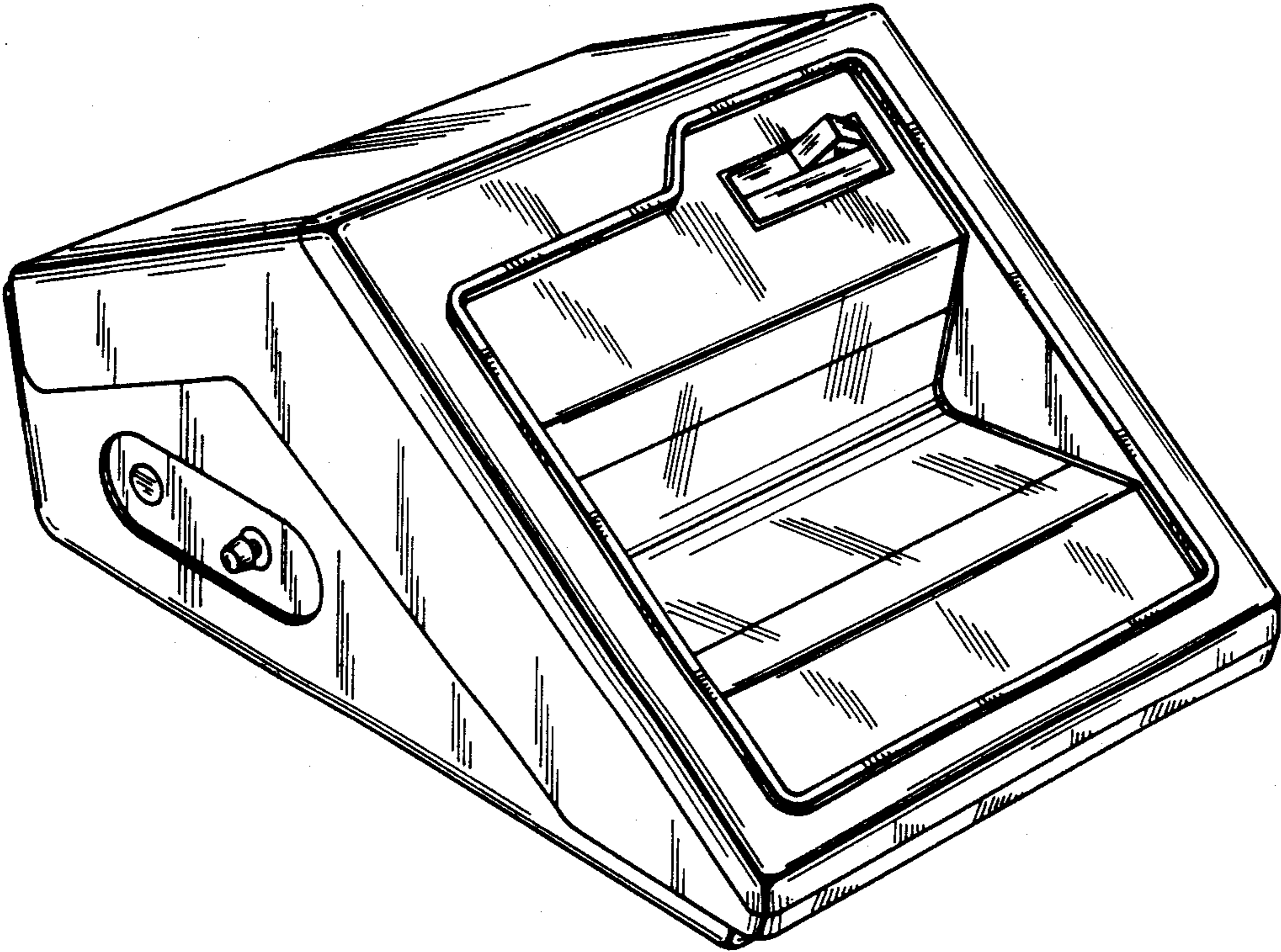
[57] CLAIM

The ornamental design for an electronic hemadynamometer, as shown and described.

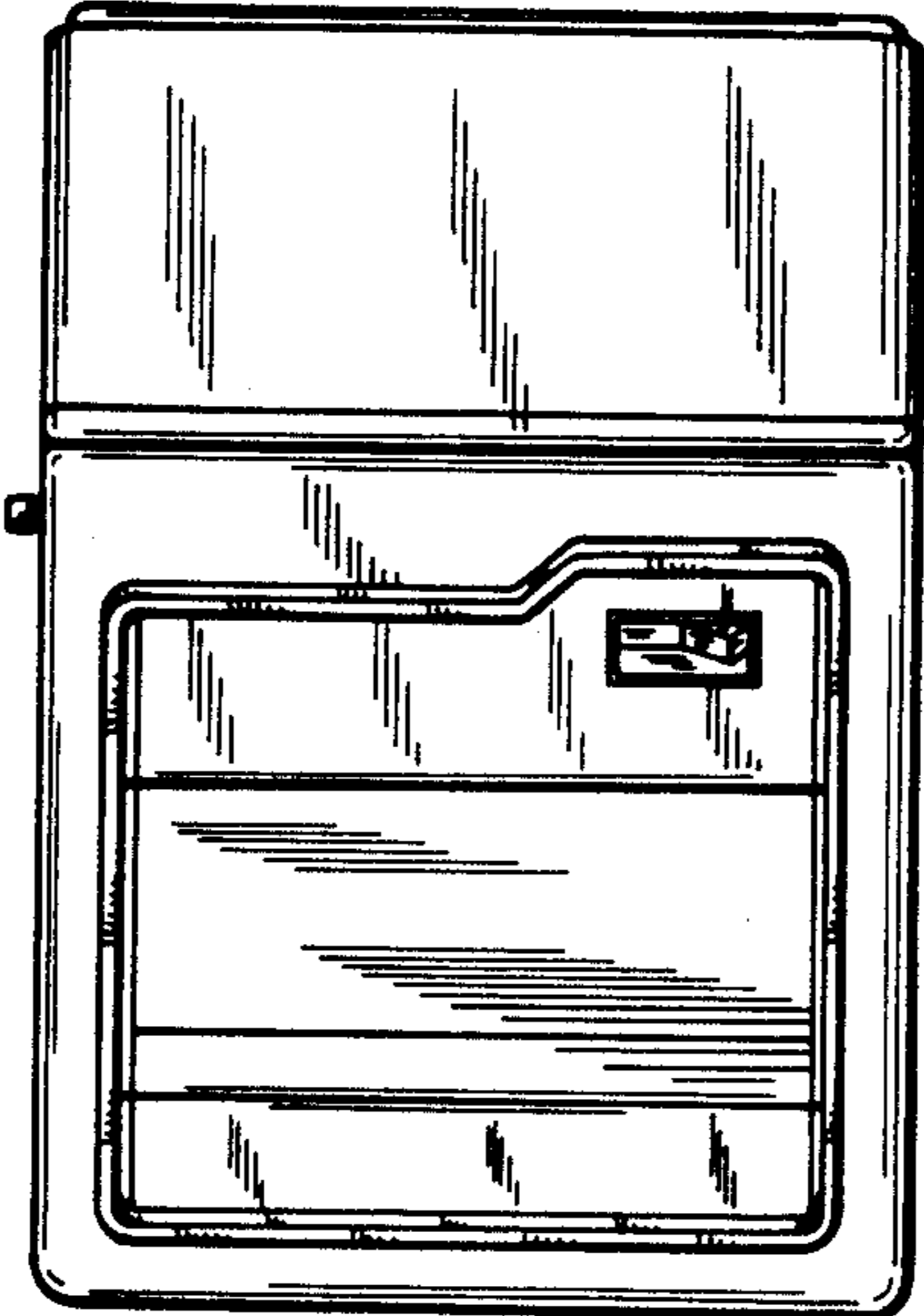
DESCRIPTION

FIG. 1 is a front perspective view of the electronic hemadynamometer showing our new design; FIG. 2 is a top plan view thereof; FIG. 3 is a front elevational view thereof; FIG. 4 is a rear elevational view thereof; FIG. 5 is a left side elevational view thereof; FIG. 6 is a right side elevational view thereof; and FIG. 7 is a bottom plan view thereof.

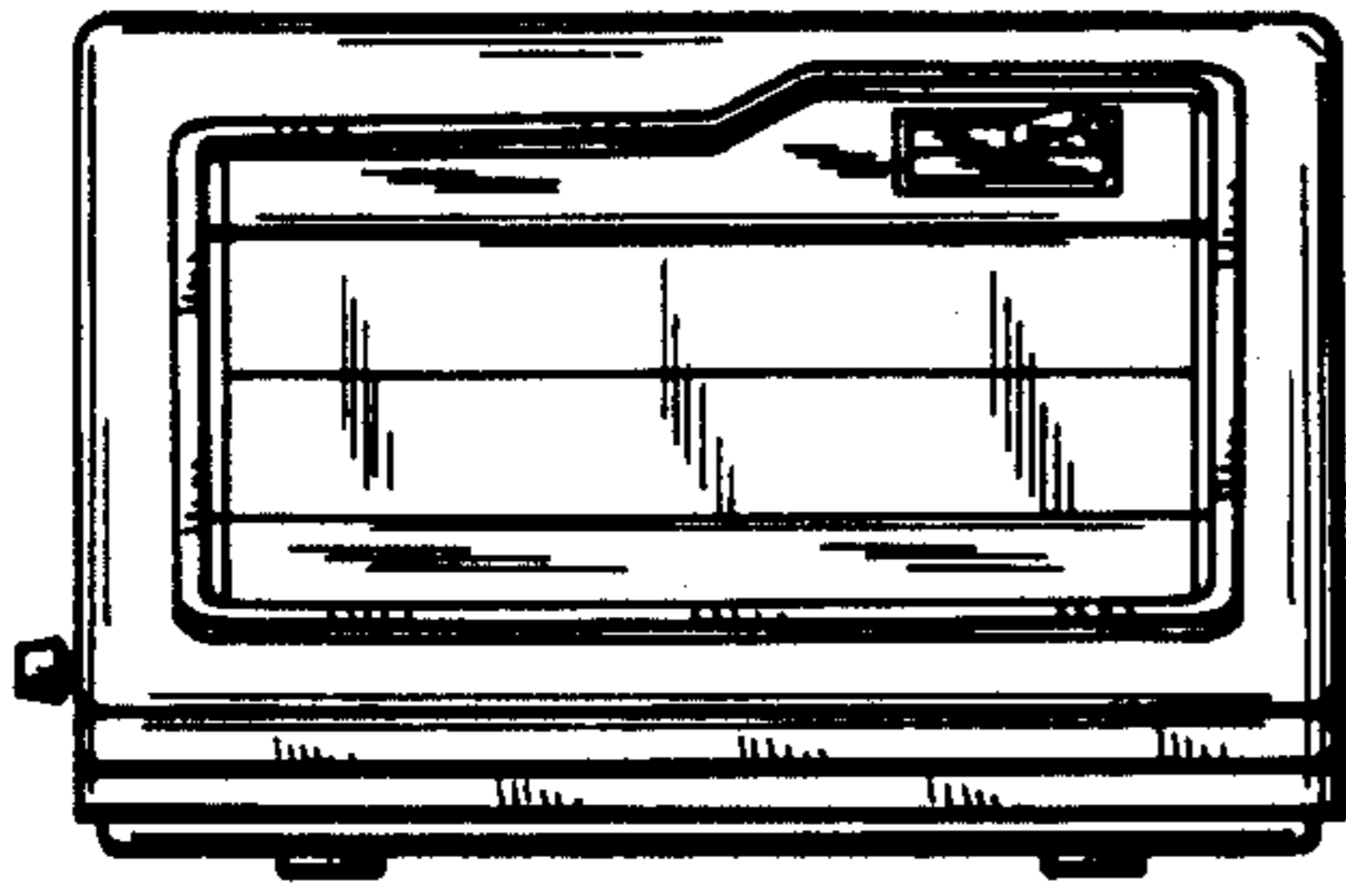




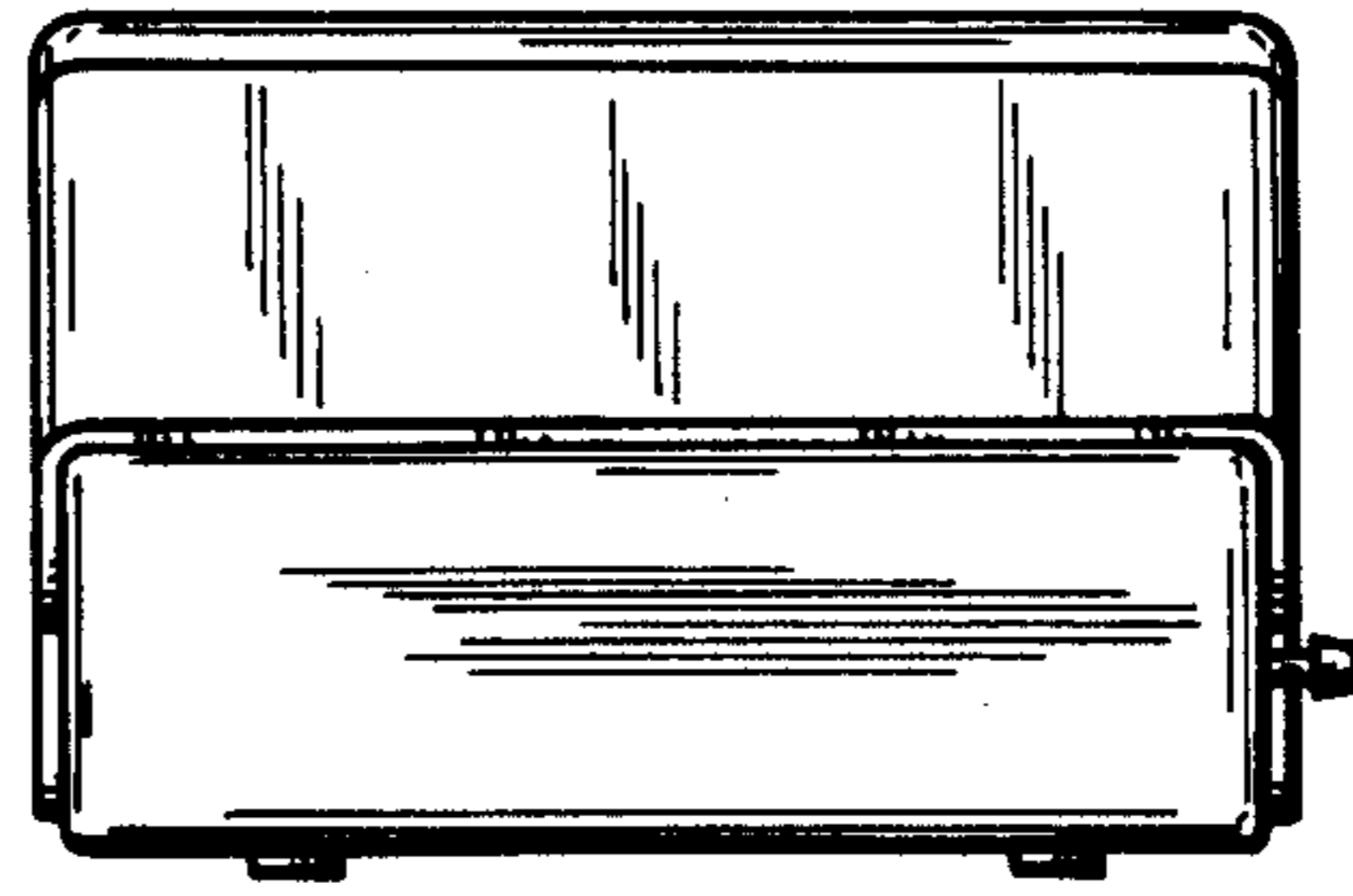
FIG_1



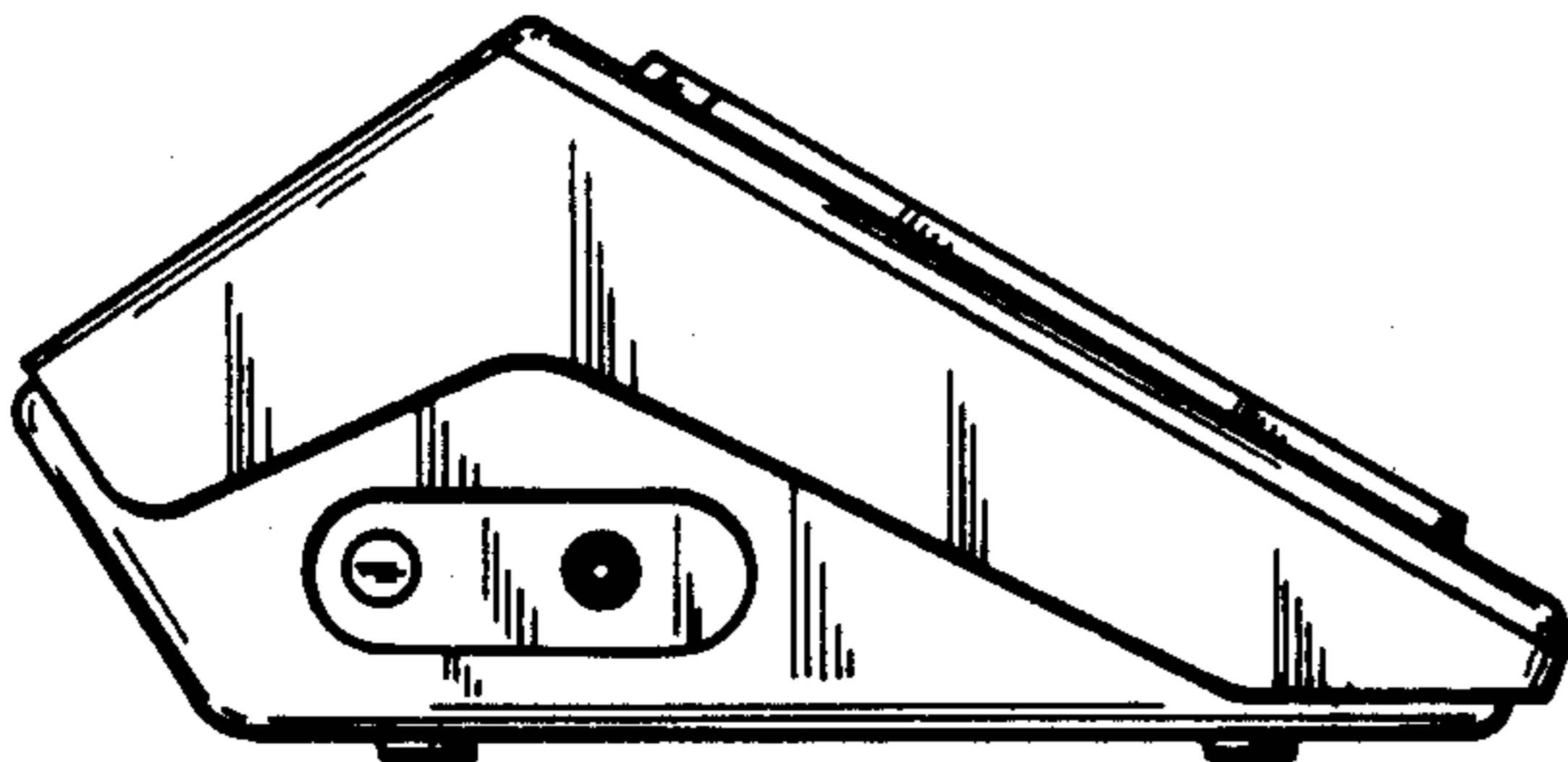
FIG_2



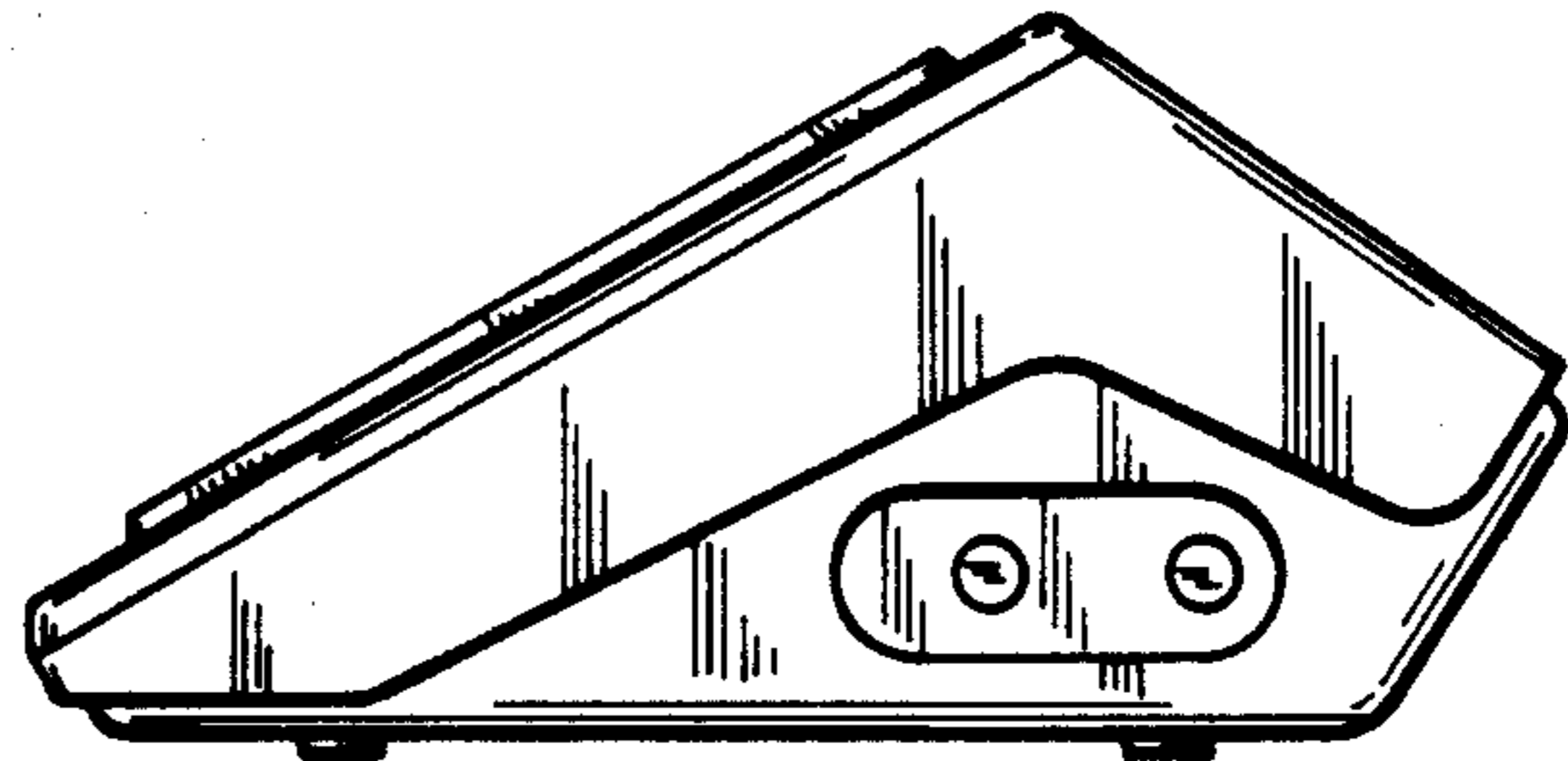
FIG_3



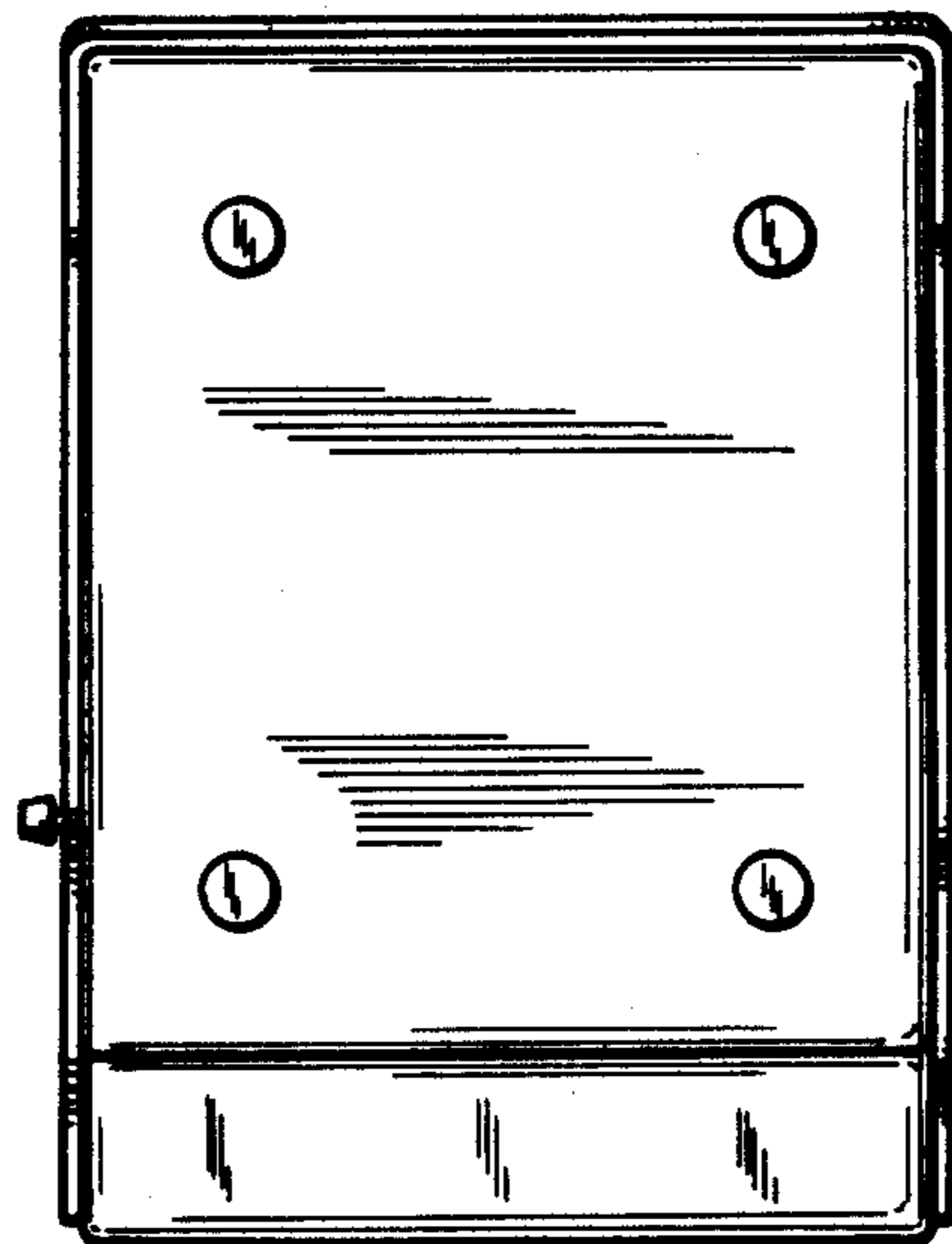
FIG_4



FIG_6



FIG_5



FIG_7