

[54] DENTAL HOLDER FOR X-RAY FILMS

3,777,140	12/1973	Graf	250/479
4,012,638	3/1977	Altschuler	250/479
4,109,156	8/1978	Schroeder	250/479

[76] Inventor: **Gunnar Edeland**, Tvardatan 5, S619 00 Karlskoga, Sweden

[**] Term: **3½ Years**

[21] Appl. No.: **806,919**

[22] Filed: **Jun. 15, 1977**

[30] Foreign Application Priority Data

Feb. 11, 1977 [SE] Sweden 77328

[51] Int. Cl. **D24-01**

[52] U.S. Cl. **D24/2; D24/99**

[58] Field of Search **D24/2, 99, 5; 250/479, 250/490**

[56] References Cited

U.S. PATENT DOCUMENTS

D. 237,115	10/1975	Stevenson	D24/2
D. 246,665	12/1977	Updegrave	D24/2
3,092,721	6/1963	Medwedeff et al.	250/479
3,304,423	2/1967	Medwedeff	250/479
3,473,026	10/1969	Updegrave	250/479

Primary Examiner—Bernard Ansher
Attorney, Agent, or Firm—Frederick E. Hane

[57] **CLAIM**

The ornamental design for a dental holder for X-ray films, as shown.

DESCRIPTION

In the drawing:

FIG. 1 is a front perspective view of a holder for dental X-ray films showing my new design;

FIG. 2 is a side elevation view thereof;

FIG. 3 is a top plan view thereof;

FIG. 4 is a bottom plan view thereof;

FIG. 5 is an end elevational view as seen from the left of FIG. 2;

FIG. 6 is an end elevational view as seen from the right of FIG. 2;

FIG. 7 is an enlarged fragmentary perspective view of a modified form of the holder illustrated in FIG. 1; and

FIG. 8 is a fragmentary perspective of the side opposite that shown in FIG. 7.

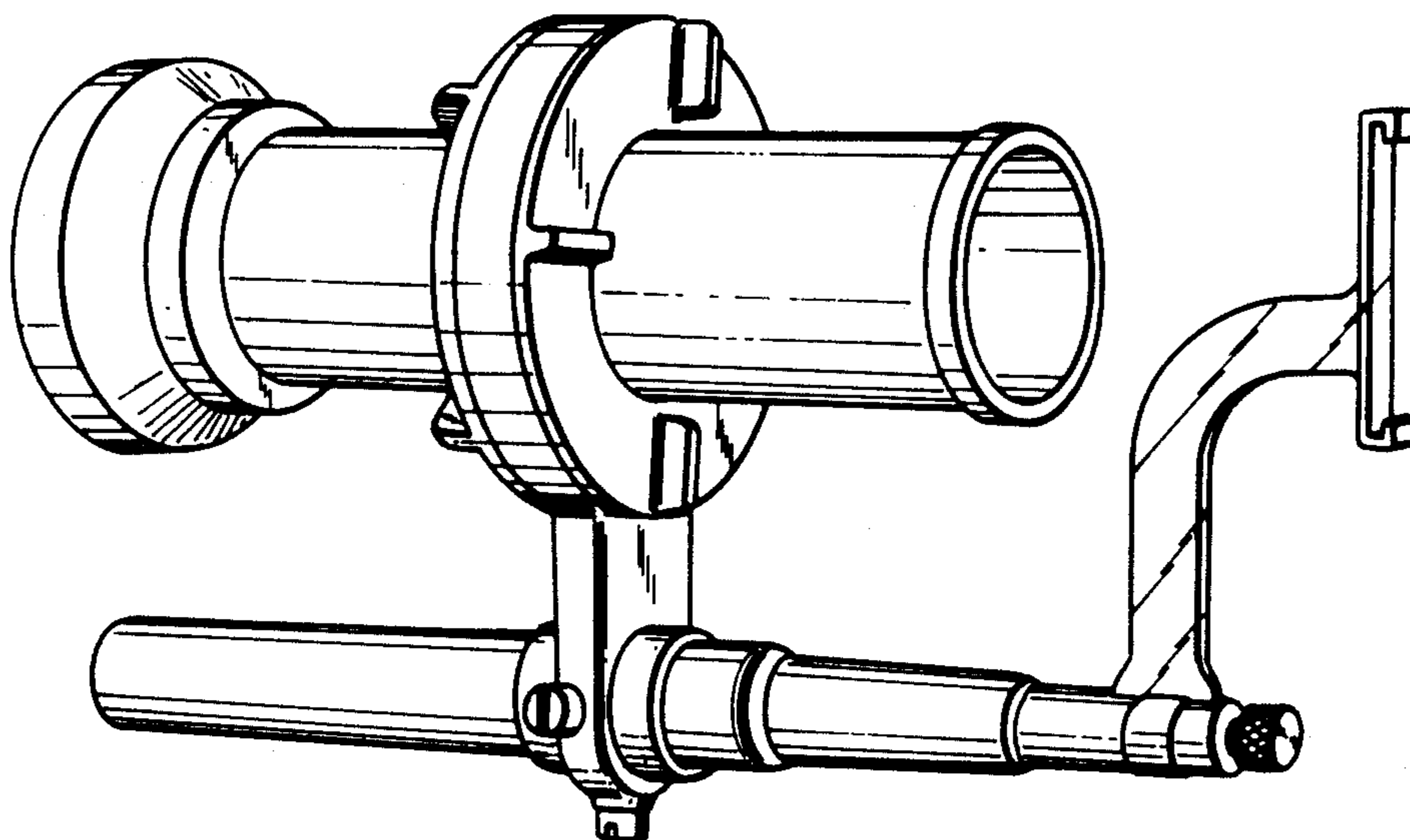


FIG. 1

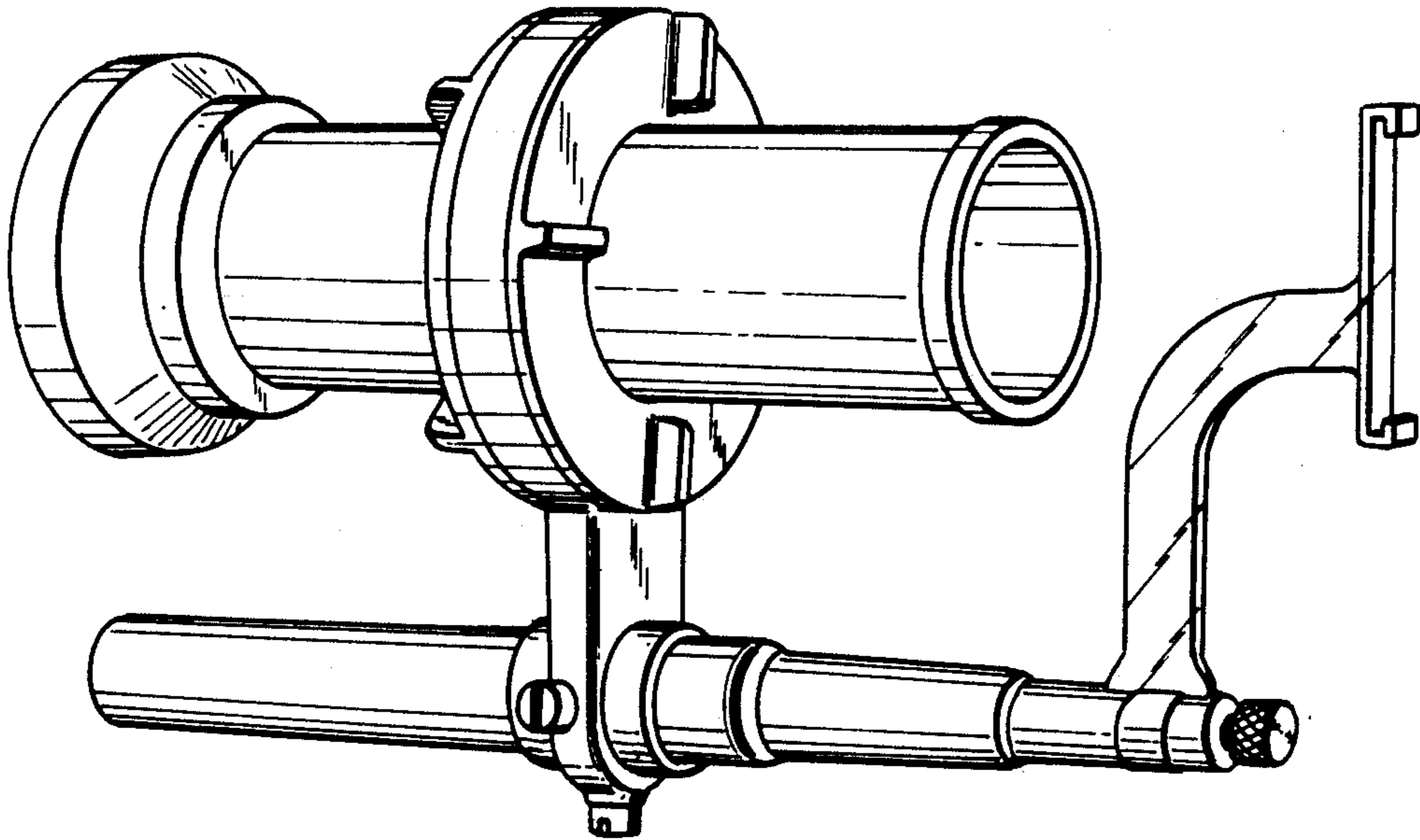


FIG. 8



FIG. 7

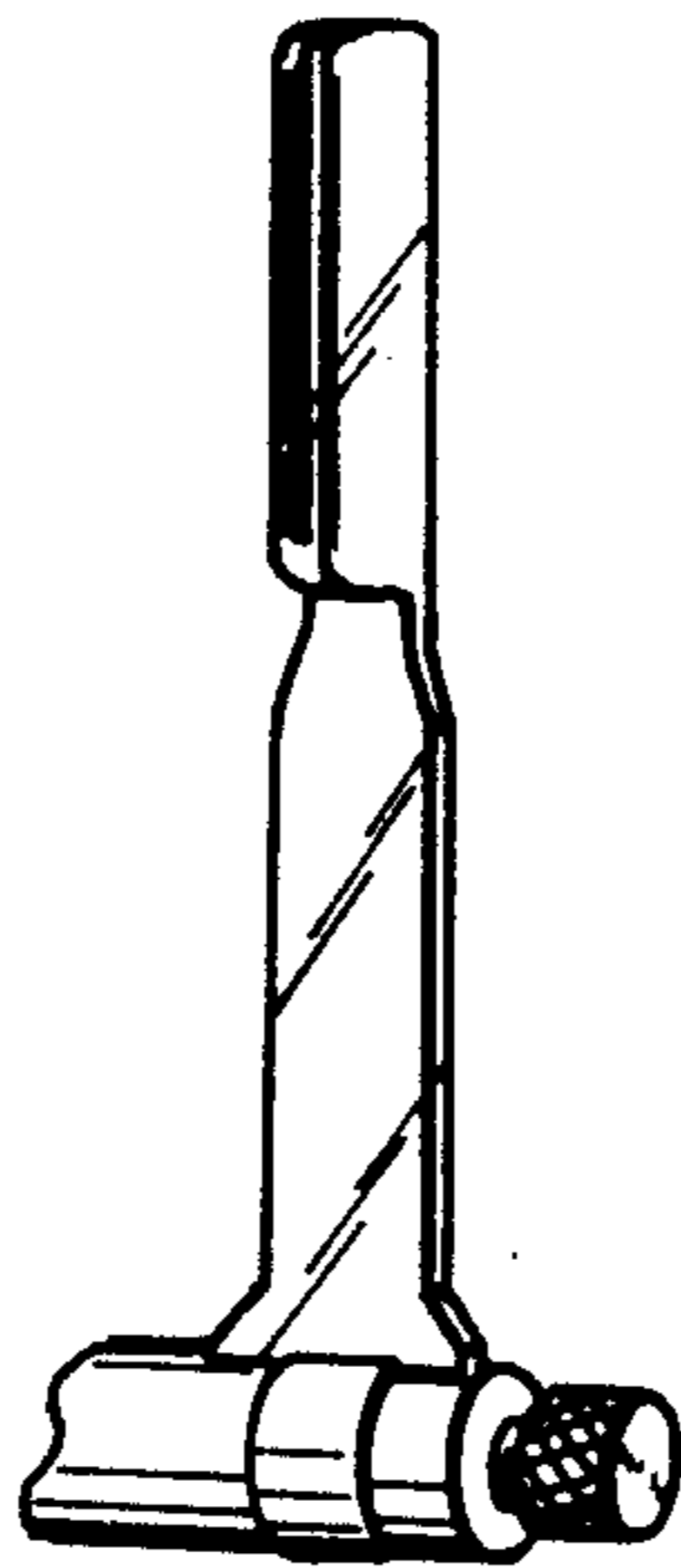


FIG. 2

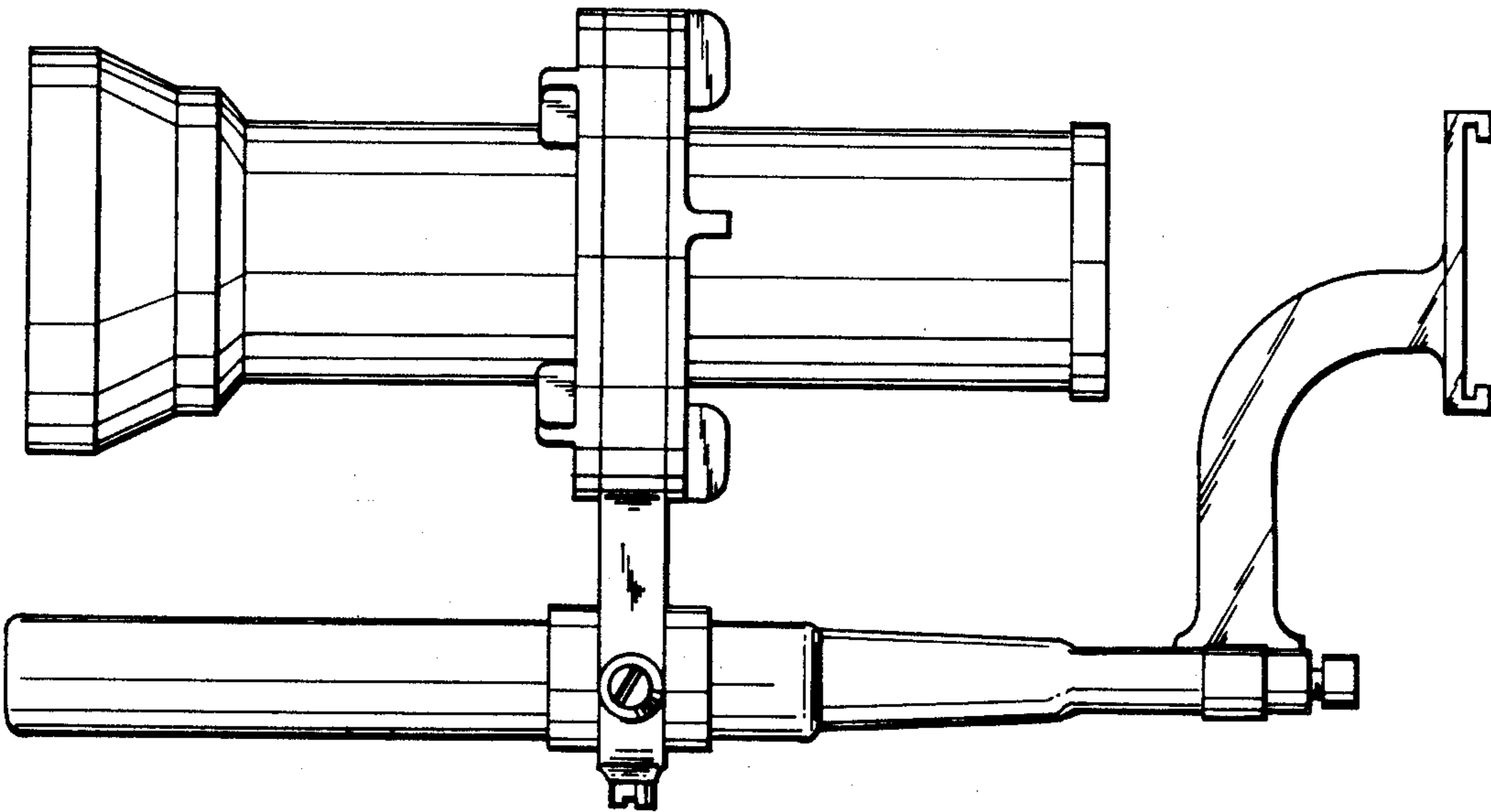


FIG. 3

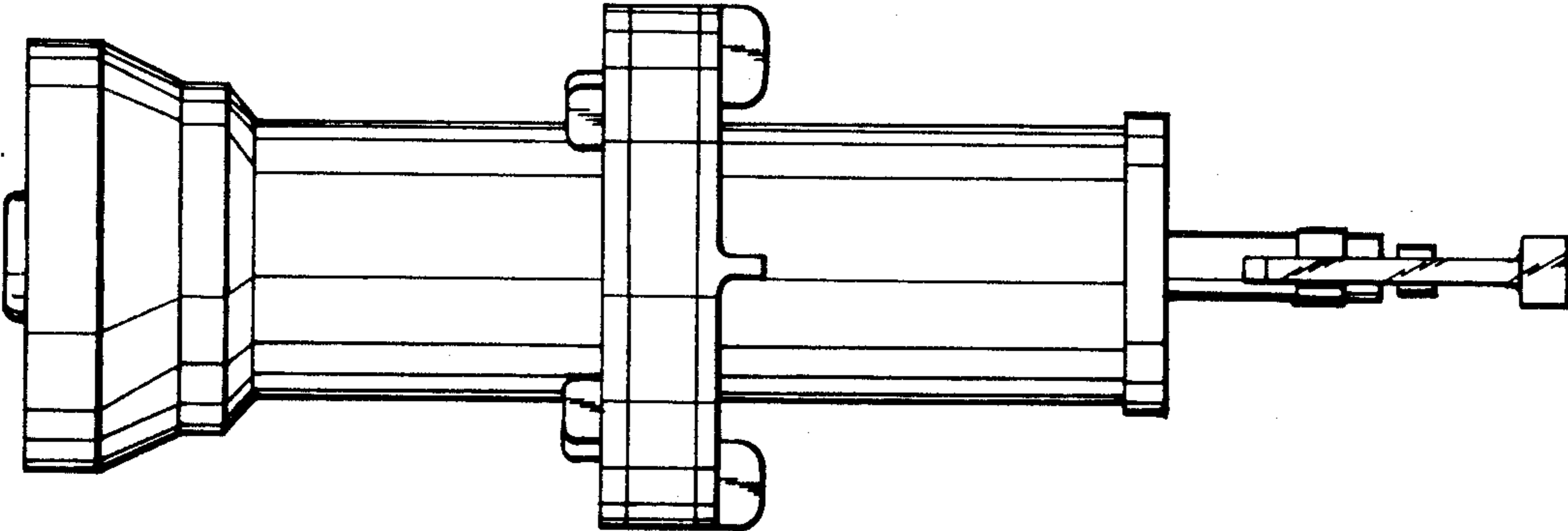


FIG. 4

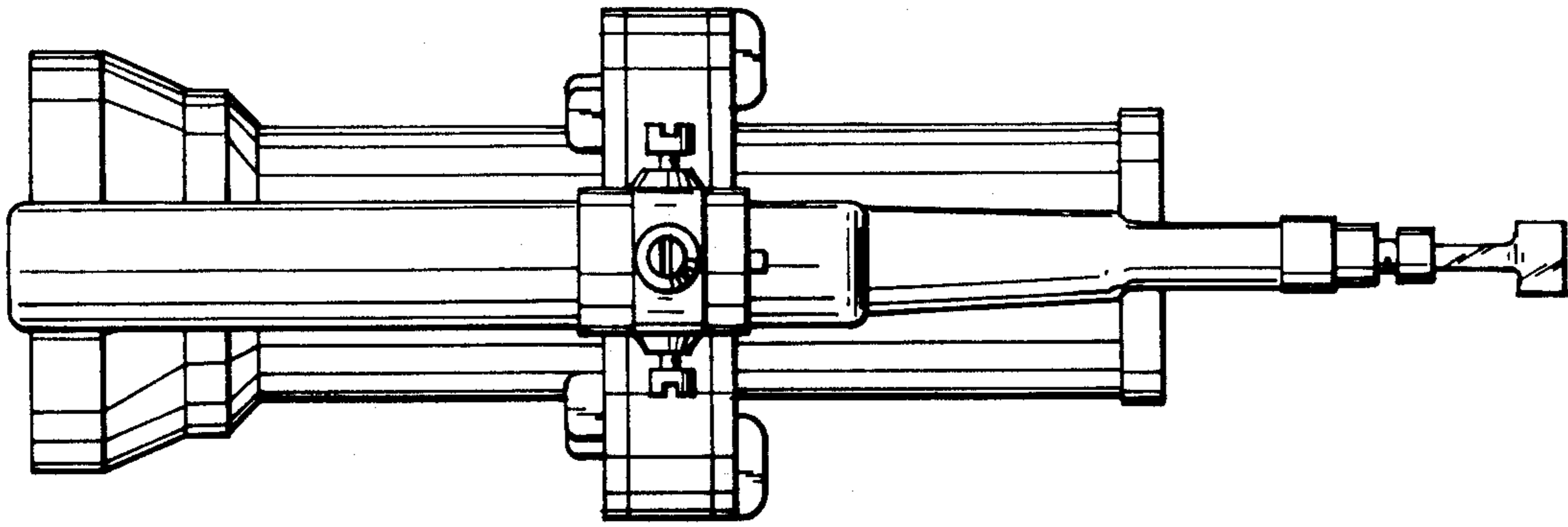


FIG. 5

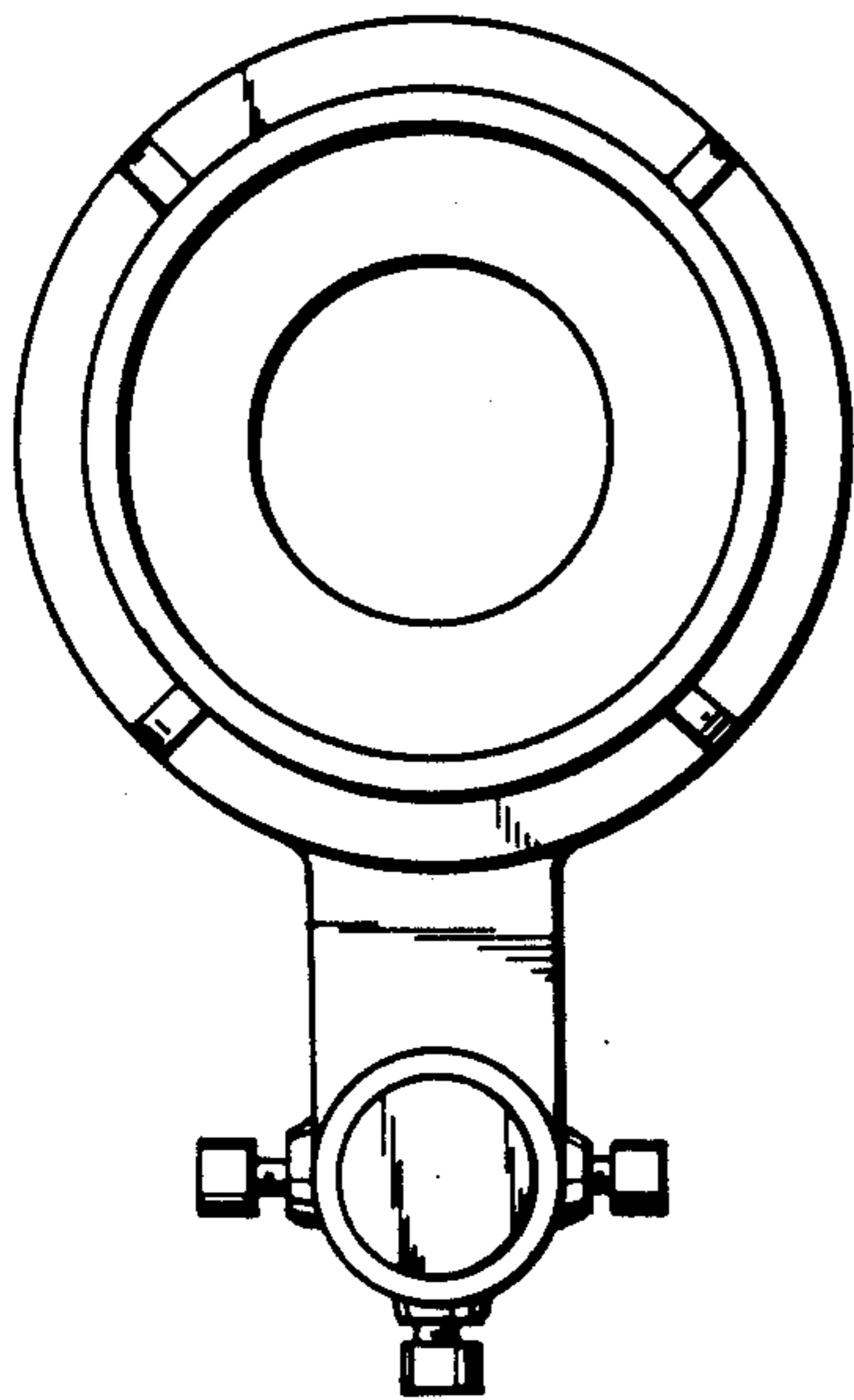


FIG. 6

