

[54] ROOF VENT

[76] Inventors: James W. Ballard, 34934 Elmira, Livonia, Mich. 48150; Larry R. Ballard, 18633 Negaunee, Redford Township, Wayne County, Mich. 48240

[\*\*] Term: 14 Years

[21] Appl. No.: 968,385

[22] Filed: Dec. 11, 1978

[51] Int. Cl. .... D23-04  
[52] U.S. Cl. .... D23/153; 98/42 R  
[58] Field of Search .... D23/139-167; 98/66 R, 83, 122

[56]

References Cited

U.S. PATENT DOCUMENTS

D. 223,712	5/1972	Mason .....	D23/153
1,502,944	7/1924	Earhart .....	98/42
2,277,982	3/1942	Hosbein .....	98/42
3,345,932	10/1967	Sauer .....	98/83
3,404,619	10/1968	Topp .....	98/42
3,593,478	7/1971	Mason .....	52/302
3,685,426	8/1972	Rosa .....	98/83

Primary Examiner—James R. Largen  
Attorney, Agent, or Firm—Irving M. Weiner

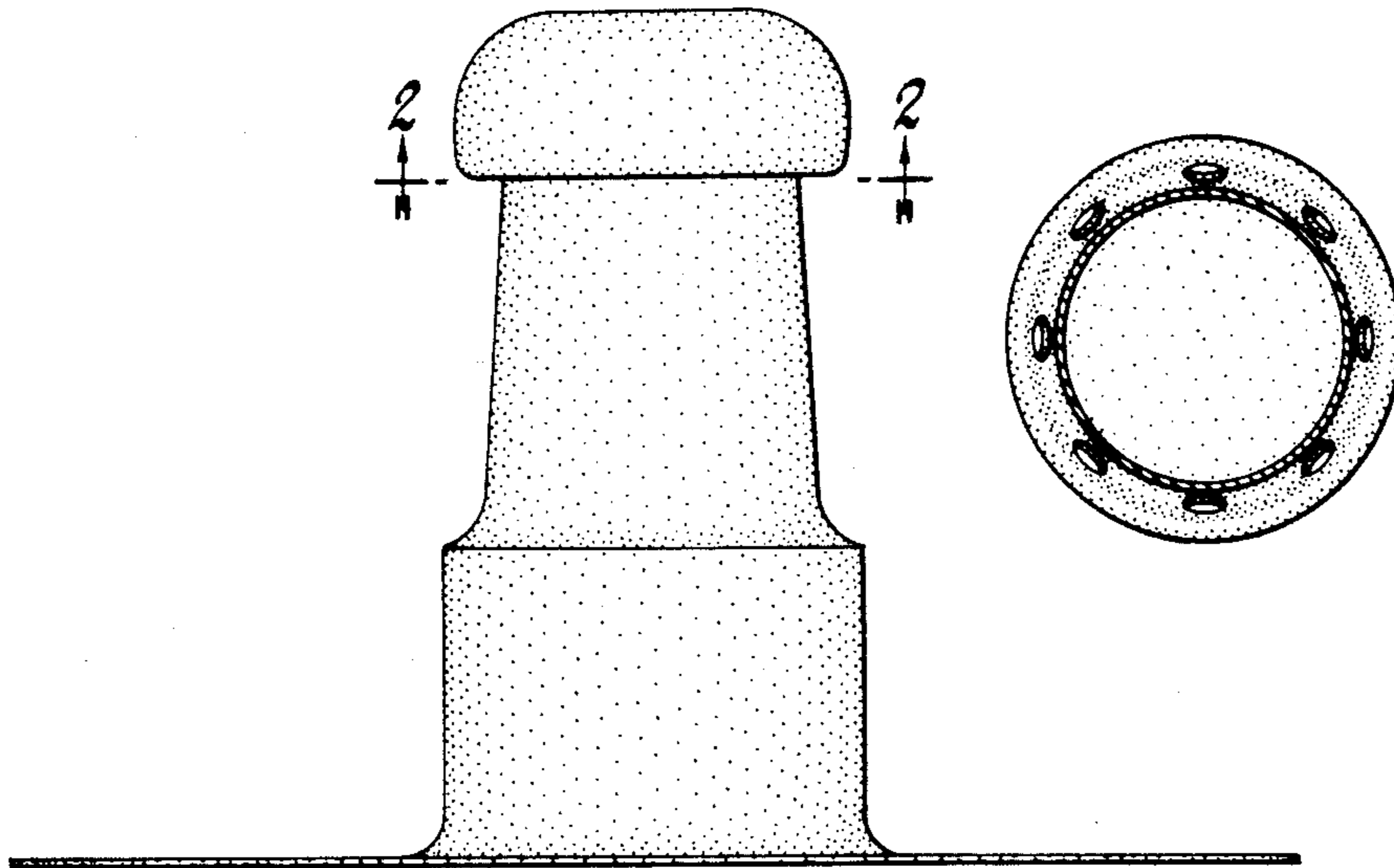
[57]

CLAIM

The ornamental design for a roof vent, as shown.

DESCRIPTION

FIG. 1 is a side elevational view of a roof vent showing our new design;  
FIG. 2 is a cross sectional view taken on line 2—2 of FIG. 1; and  
FIG. 3 is a top plan view thereof.



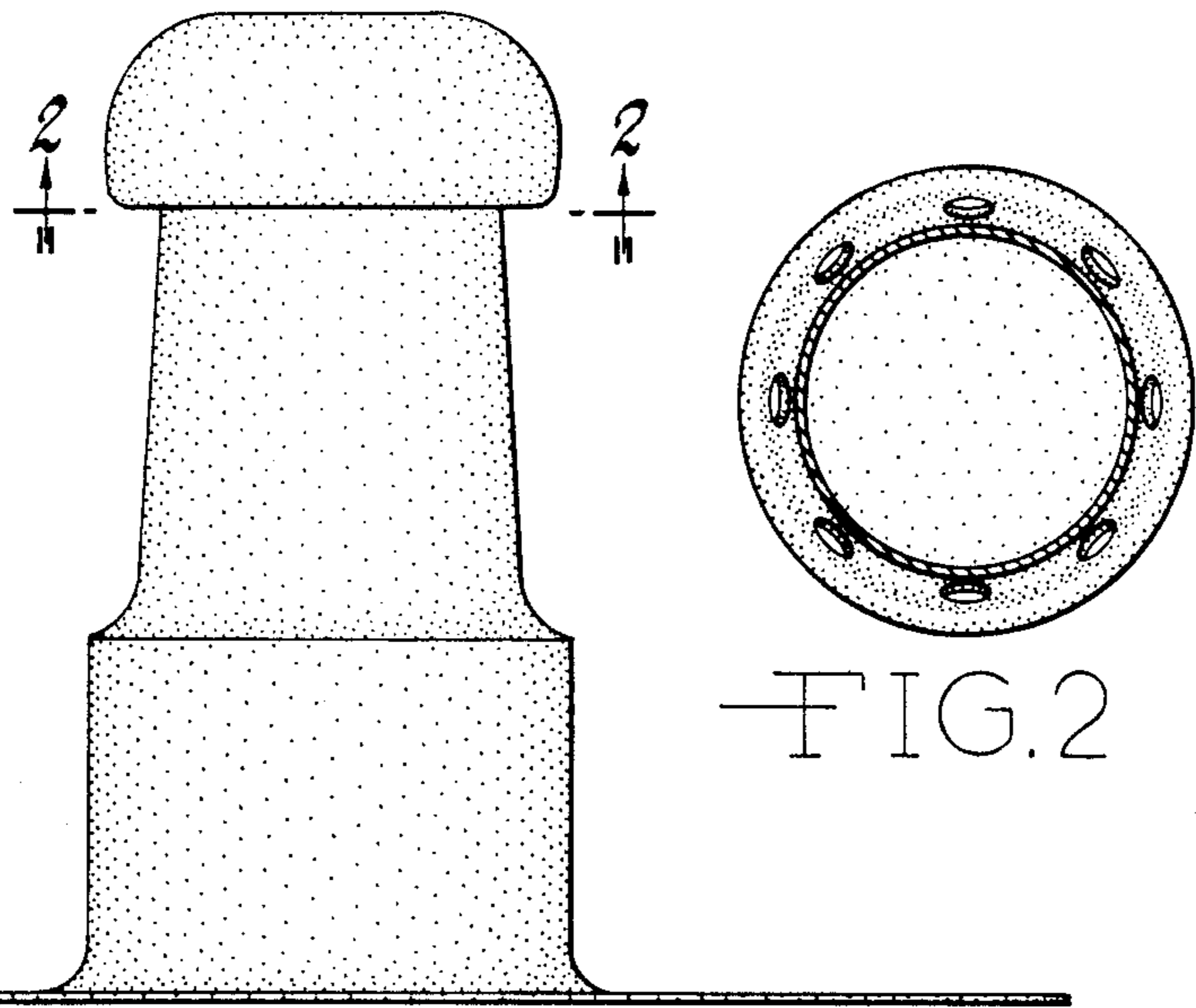


FIG. 1

FIG. 2

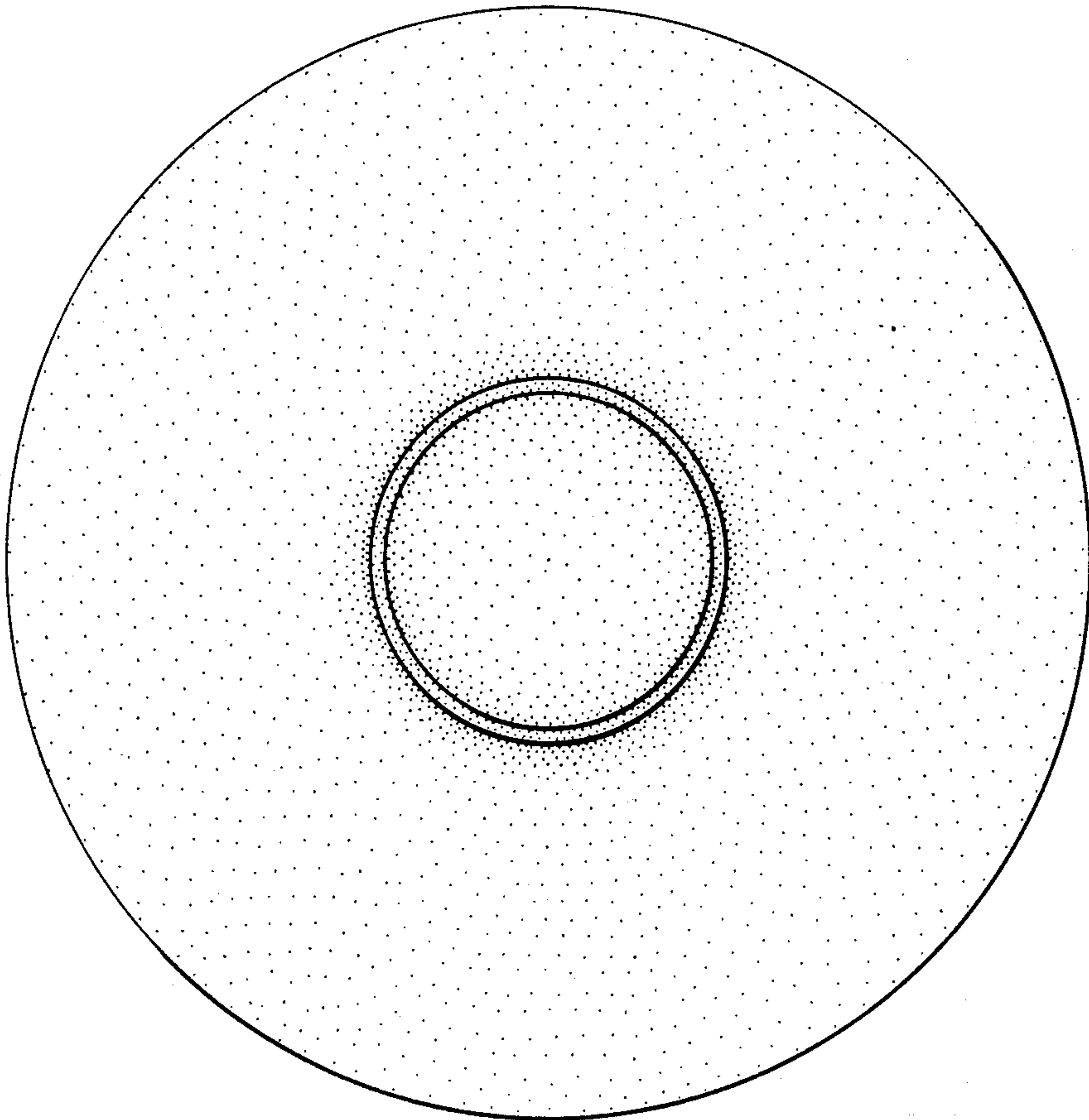


FIG. 3